



# Anchor Fast



The mark of  
responsible forestry

## Seated Arbour

User Instructions - Please keep for future reference

**537407**



These instructions form part of this appliance. Please be sure to read them before use and keep for future reference. This product is for domestic use only and should not be used commercially or for contract purposes.

Produced in Latvia for The AMES Companies UK Ltd c/o Anchorfast  
The Old Airfield, Heck & Pollington Lane, Pollington, East Yorkshire, DN14 0BA  
www.kelkay.com Tel: 01405 869333

Produced in Latvia for EU - True Temper Ltd. T23 AF84

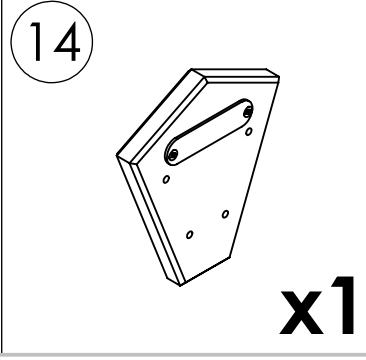
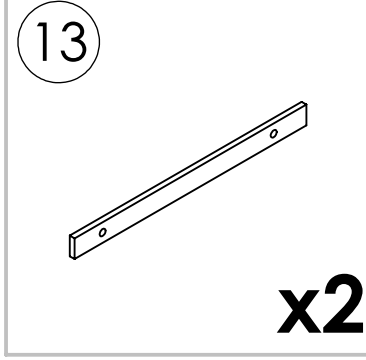
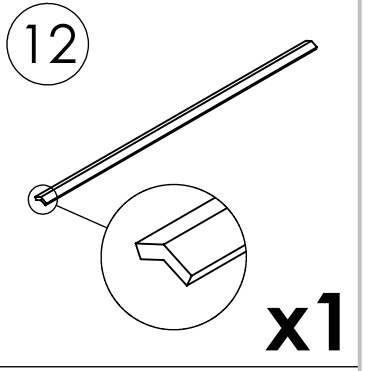
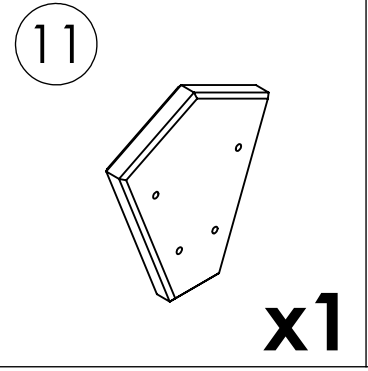
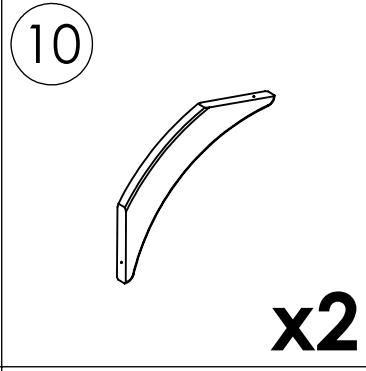
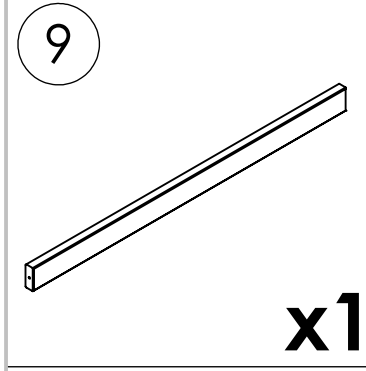
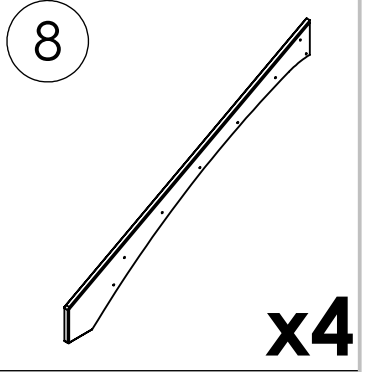
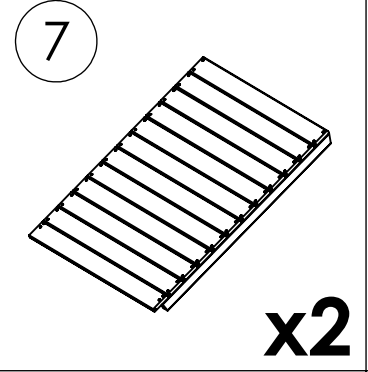
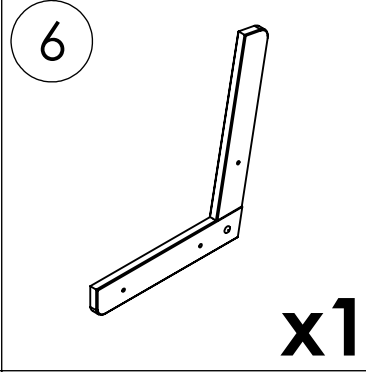
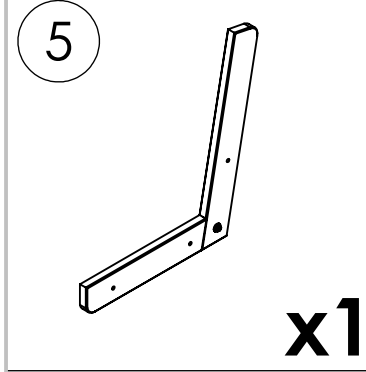
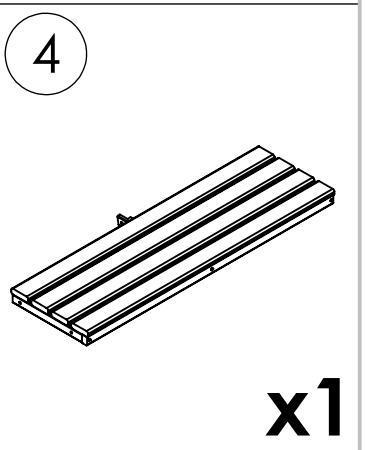
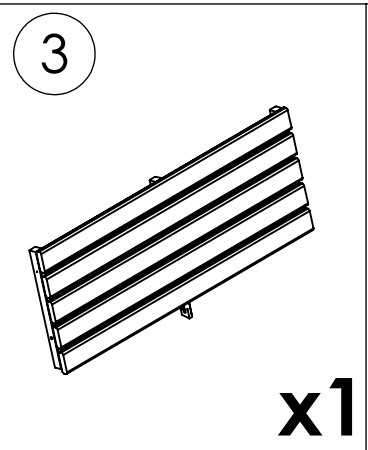
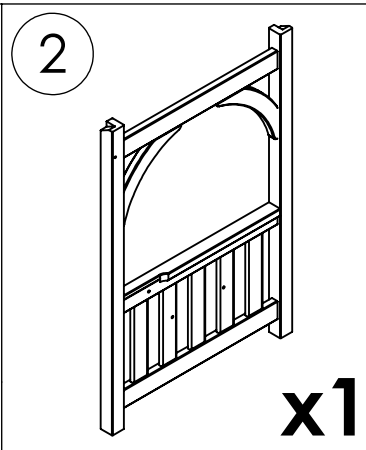
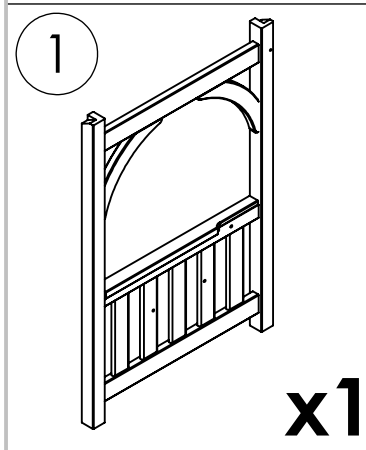
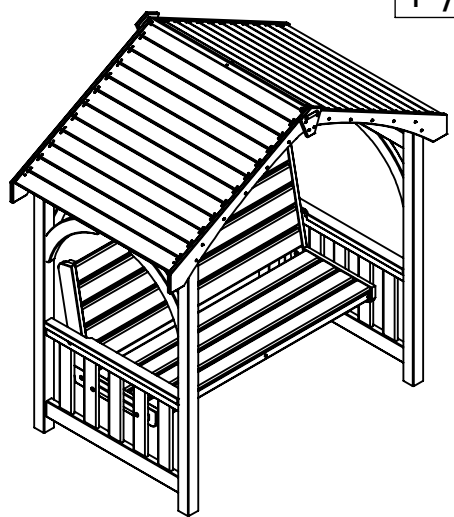
537407\_Anchorfast\_Seated\_Arbour\_IM\_1.0

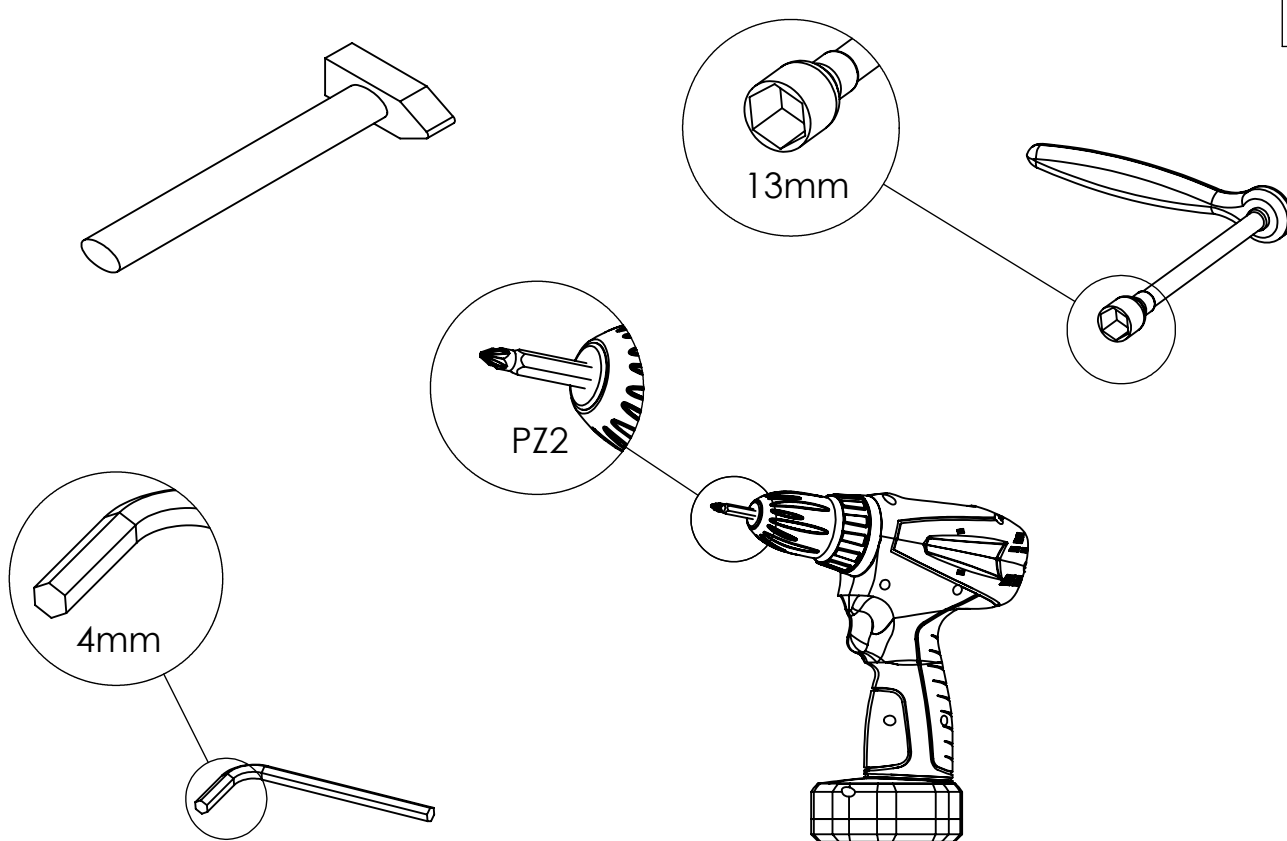
---


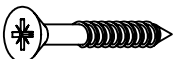
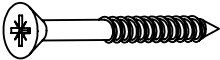

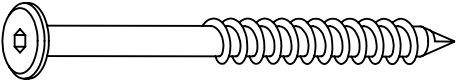
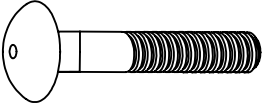
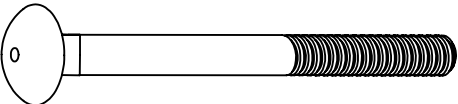
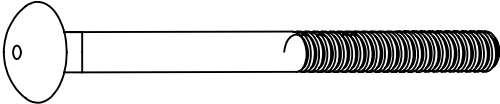

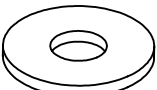
## Care and Maintenance

- Your new garden furniture is a natural timber product. In order that you may prolong the life of this product we recommend that you follow the general care and maintenance advice below.
- All fixings to be checked for tightness and signs of deterioration at the beginning of each season and on a regular basis.
- Product should be checked regularly and re-coated with a suitable topcoat finish when required. If accidental damage occurs lightly sand and re-coat with a suitable water based wood preservative. Product can be cleaned periodically with a mild soapy detergent.
- This is a natural product and therefore colour may vary slightly from piece to piece.
- As a natural product it is possible that knots can work loose and sometimes fall out, also resin leakage and small cracks can appear on the woods surface. Should this happen, clean off resin, ensure any sharp edges are sanded smooth and re-coat.
- Products should be given suitable protection from adverse weather conditions, particularly during the winter months.

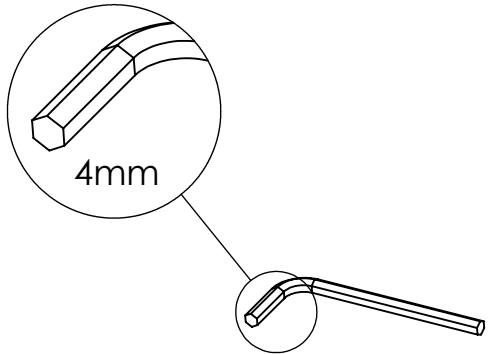
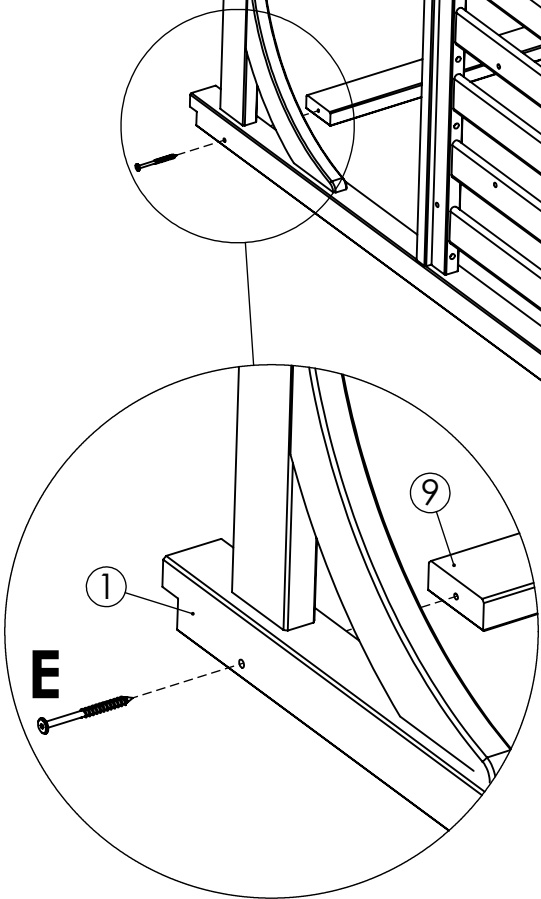
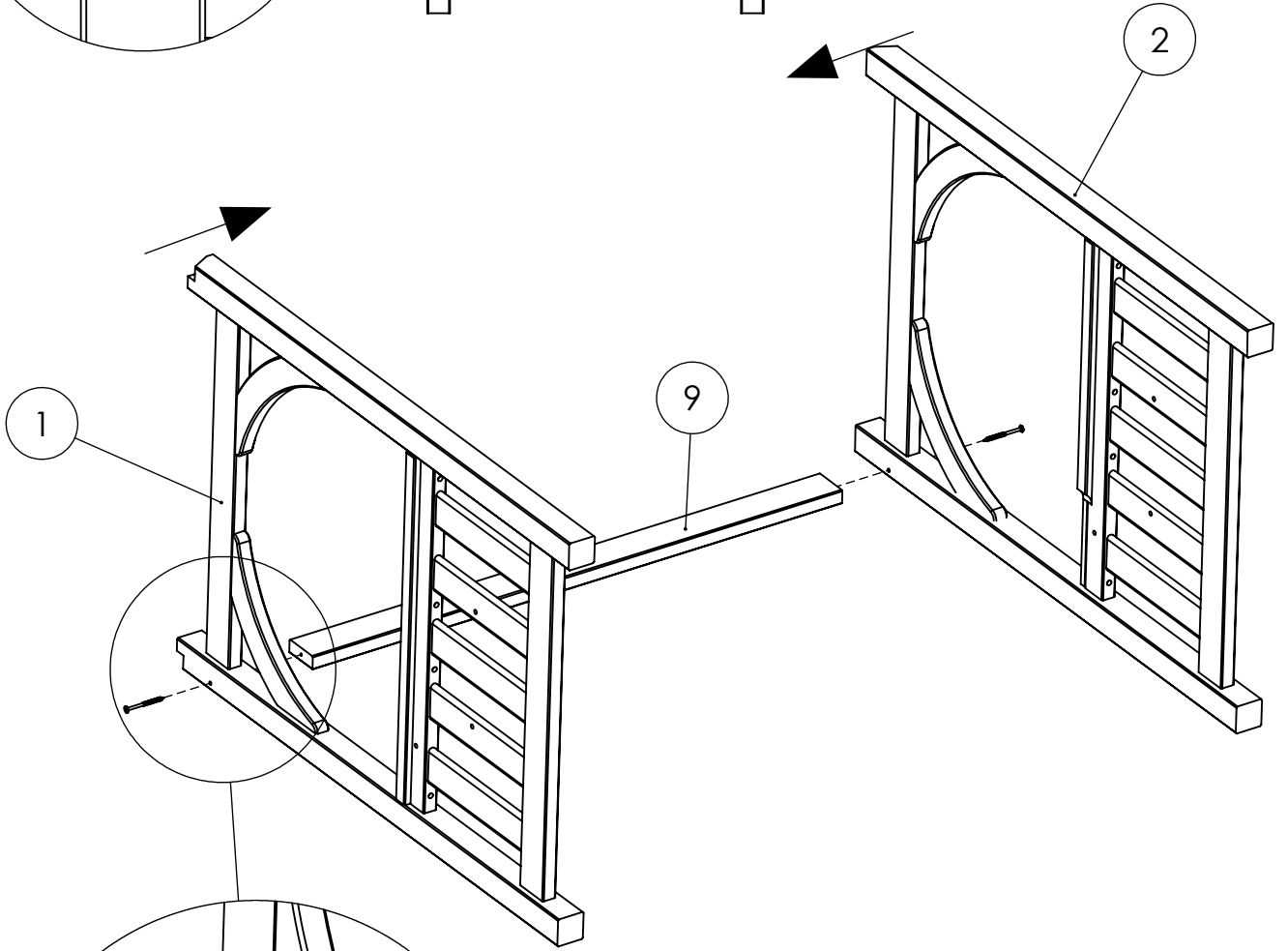
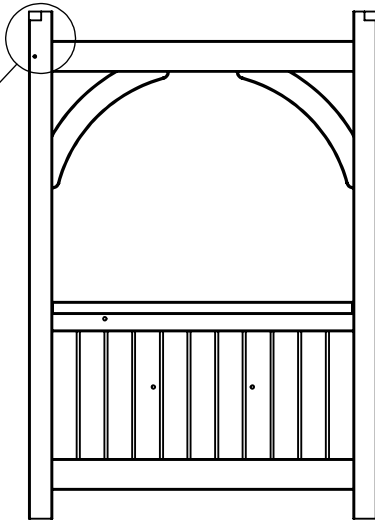
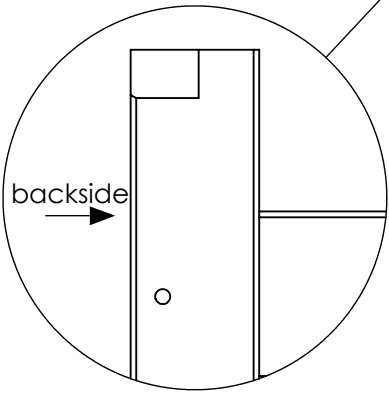
Please retain these instructions for future reference and use.



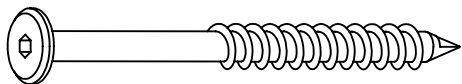


<b>A</b>		<b>3.5X25</b>	<b>x6</b>
<b>B</b>		<b>4X40</b>	<b>x28</b>
<b>C</b>		<b>4X50</b>	<b>x2</b>
<b>D</b>		<b>4X70</b>	<b>x8</b>
<b>E</b>		<b>6.3X100</b>	<b>x2</b>
<b>F</b>		<b>M8x50</b>	<b>x1</b>
<b>G</b>		<b>M8x100</b>	<b>x4</b>
<b>H</b>		<b>M8x110</b>	<b>x2</b>
<b>J</b>		<b>M8</b>	<b>x7</b>
<b>K</b>		<b>M8</b>	<b>x7</b>

1



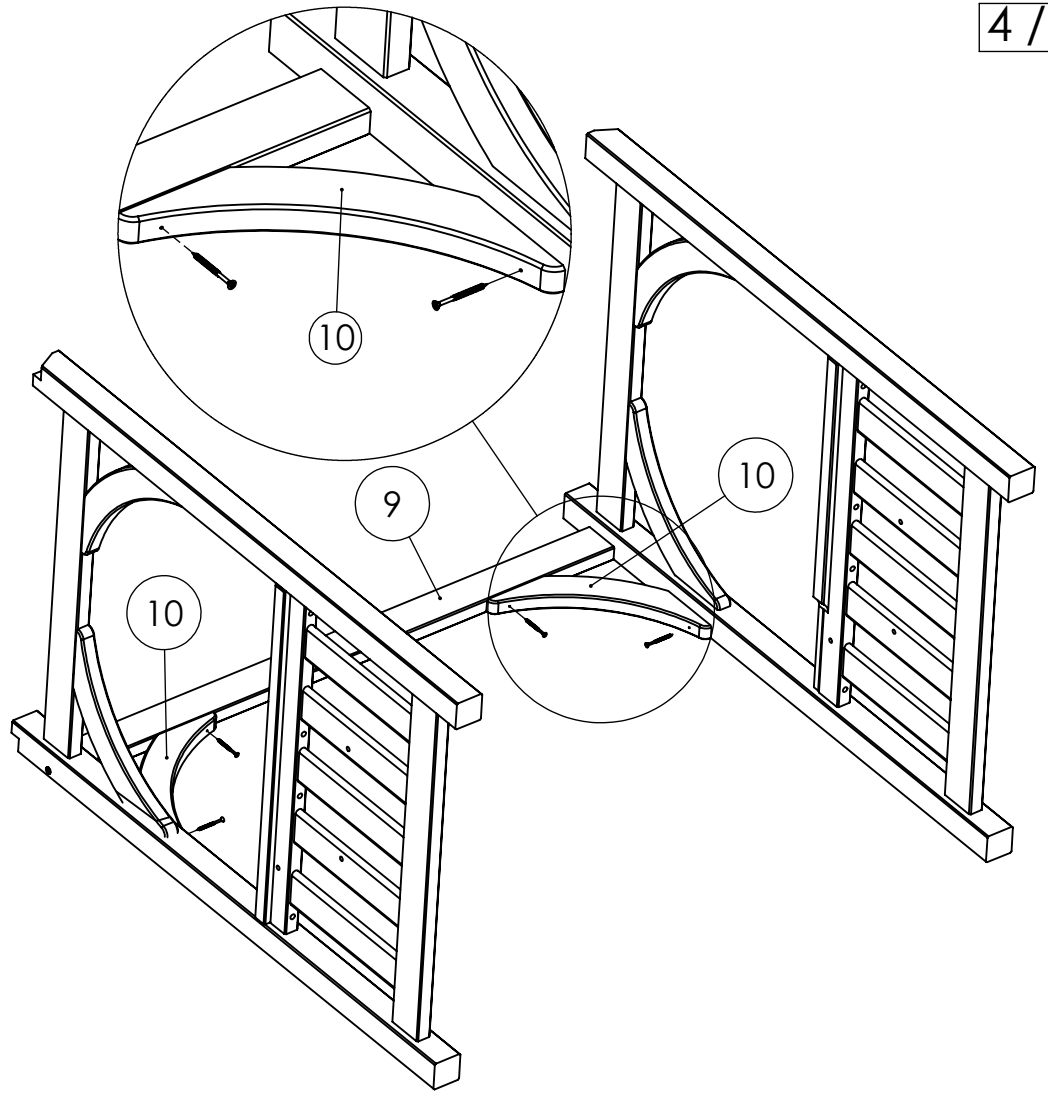
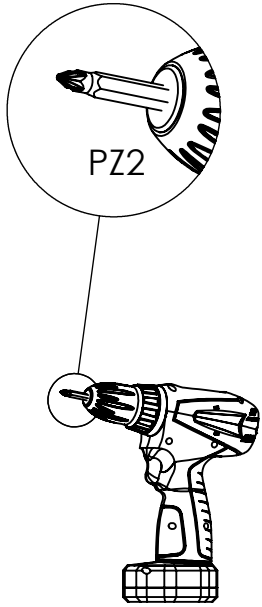
**E**



**6.3X100**

**x2**

2



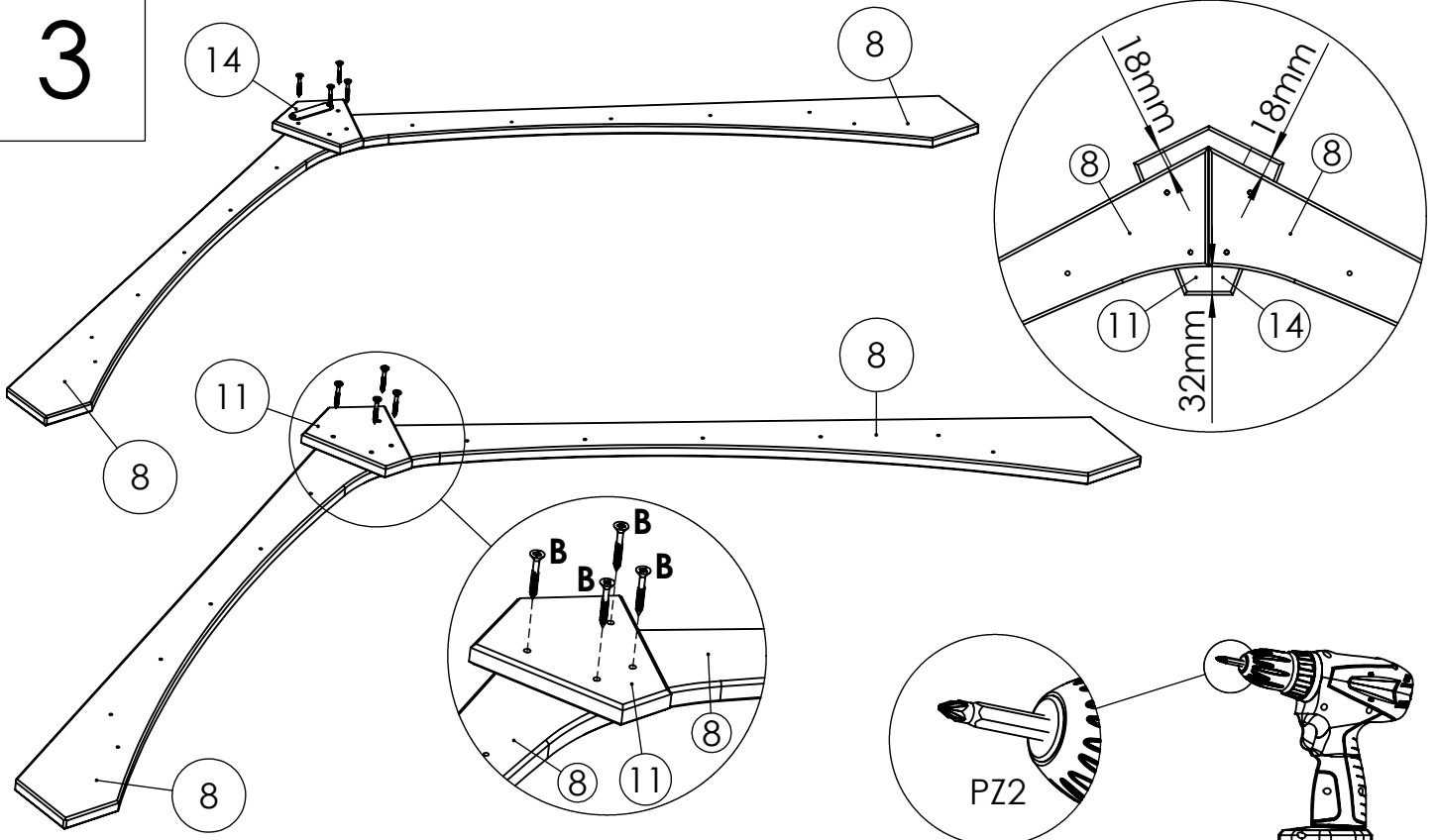
D



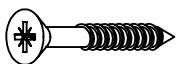
4X70

x4

3



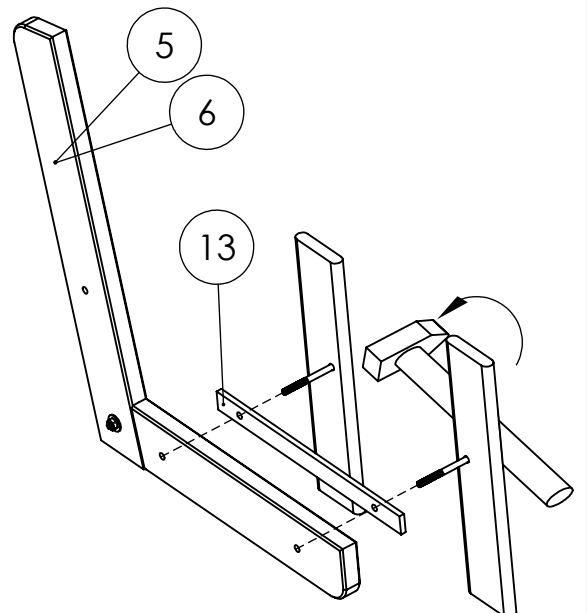
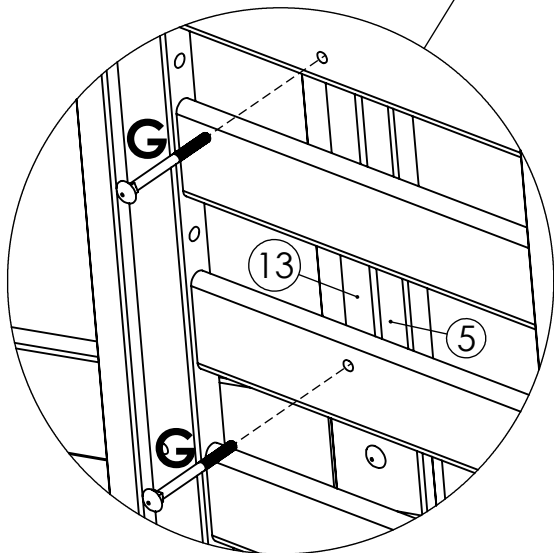
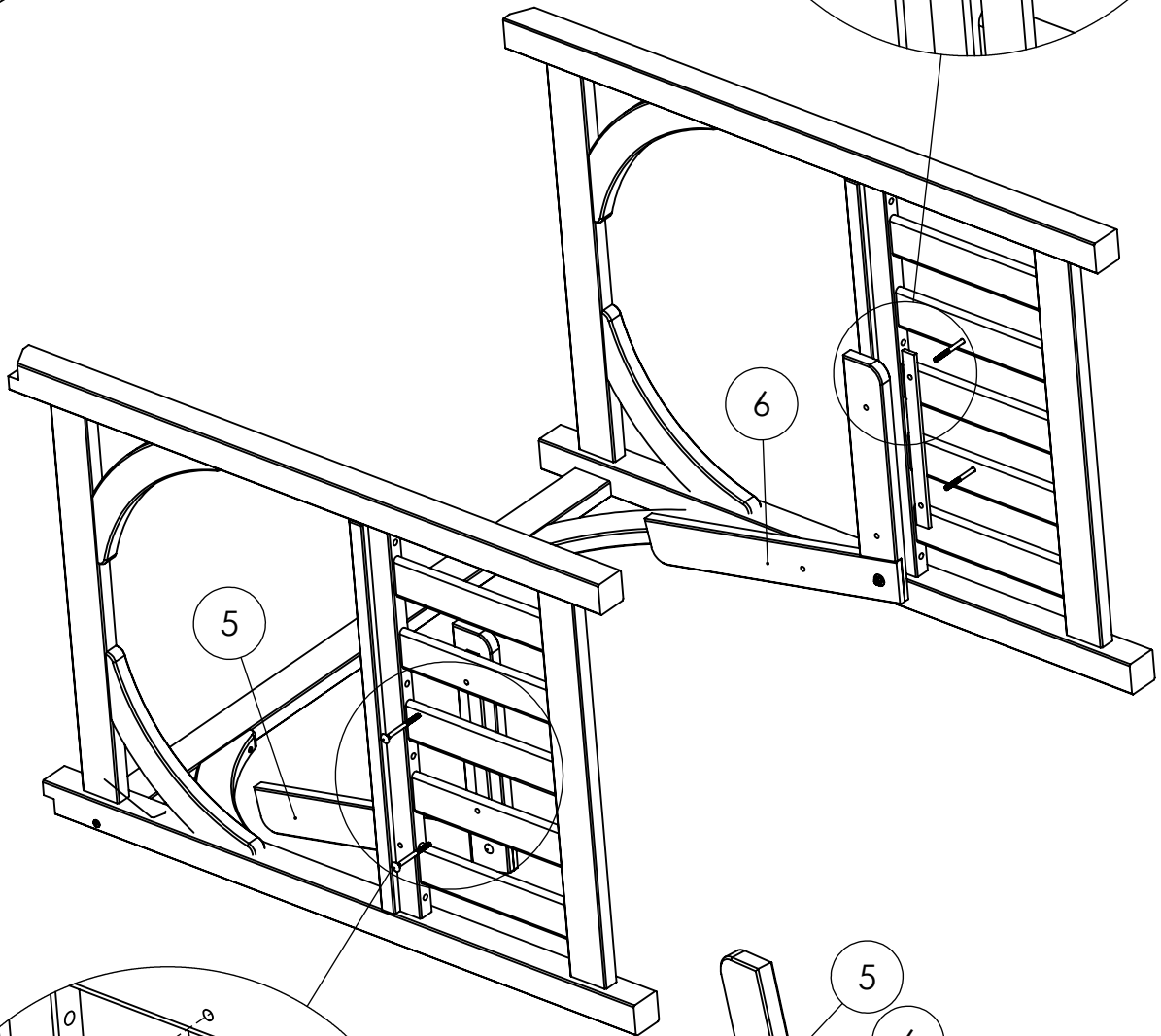
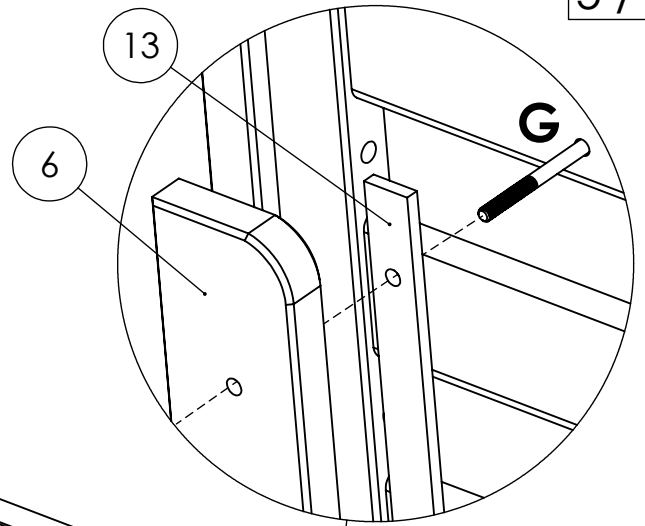
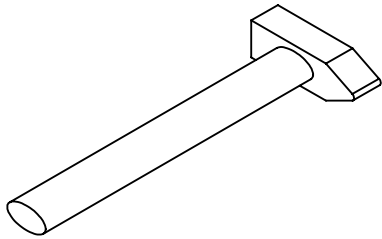
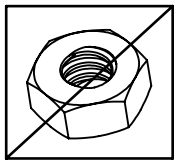
B



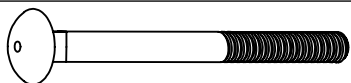
4X40

x8

4



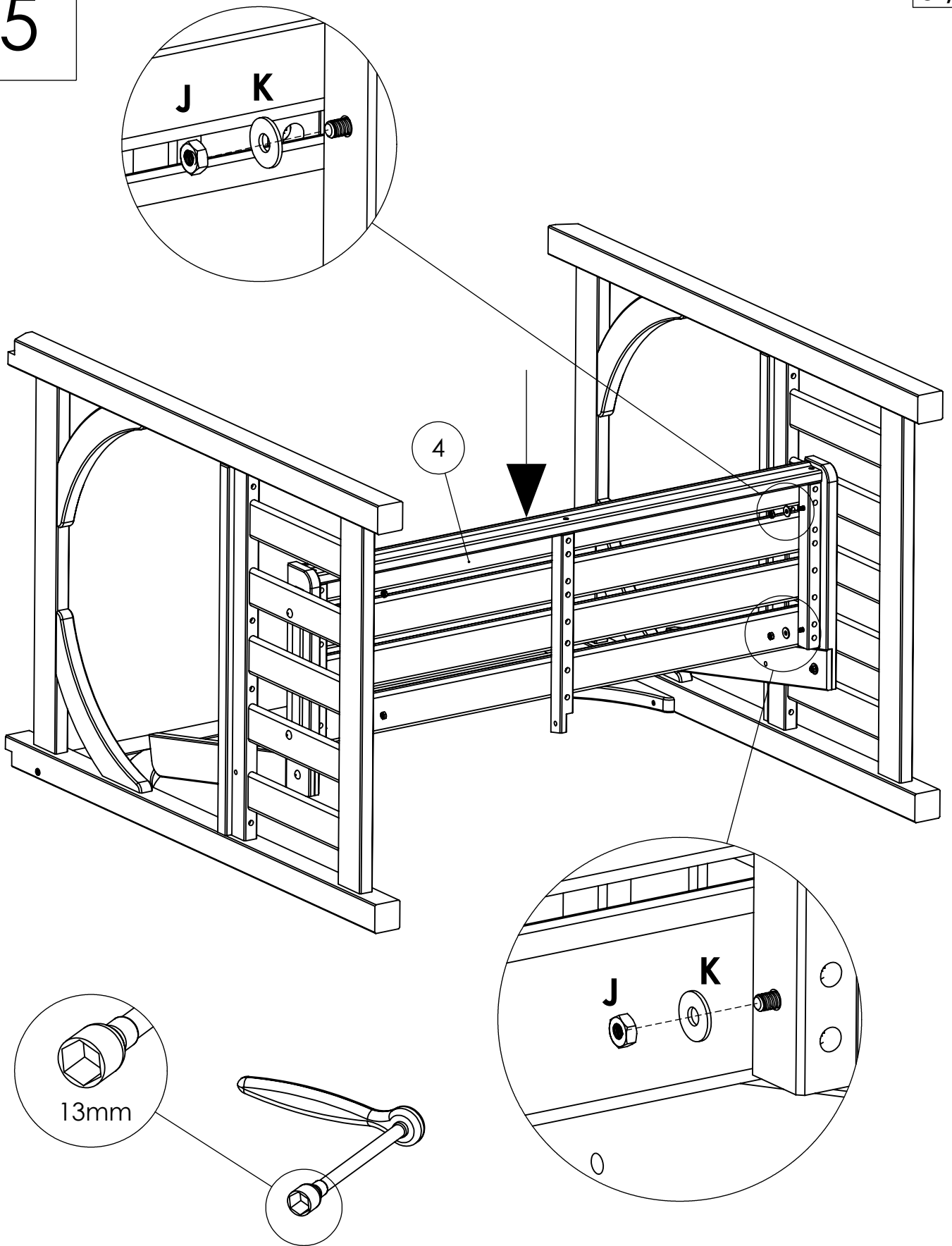
**G**


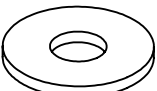


**M8x100**

**x4**

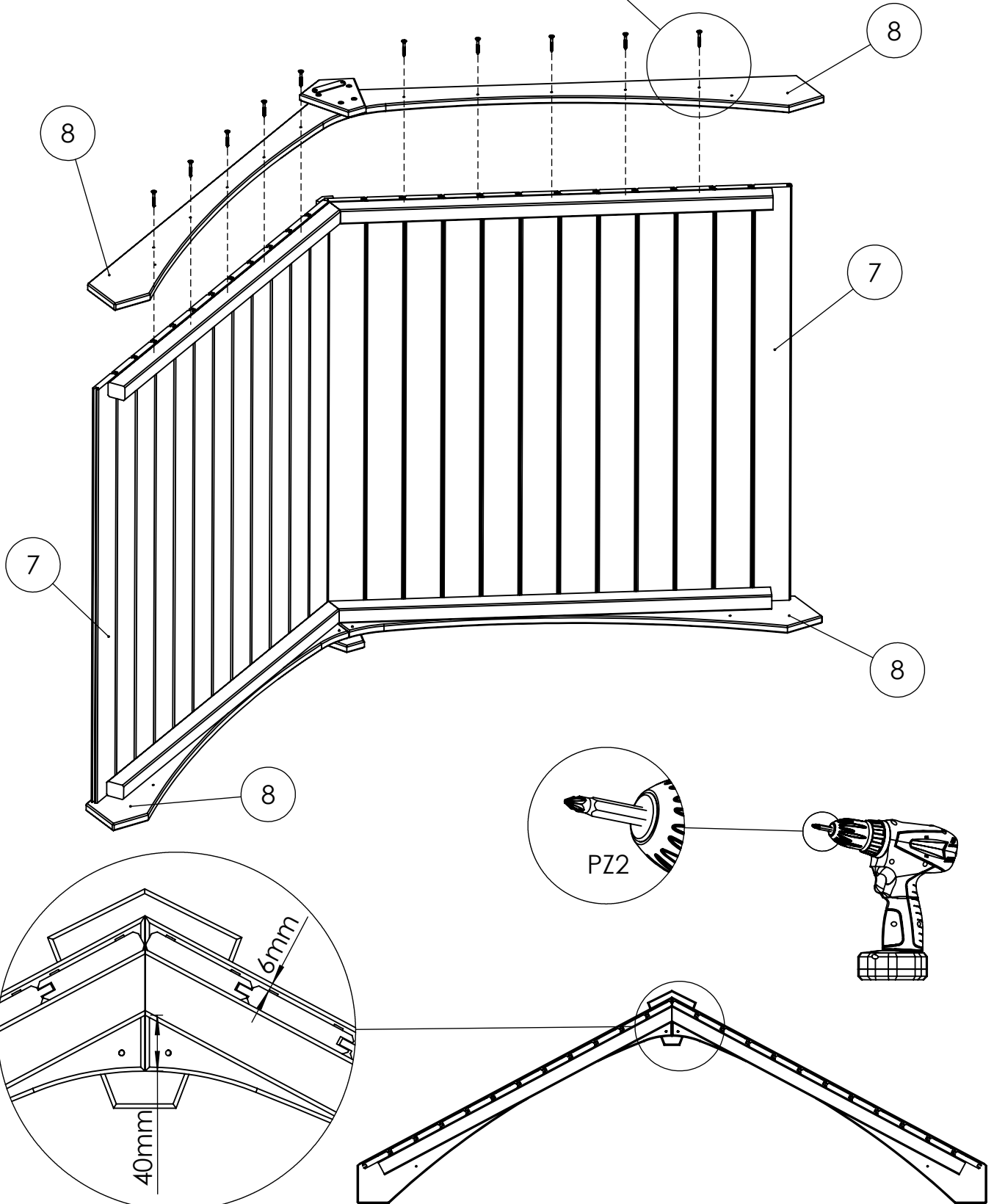
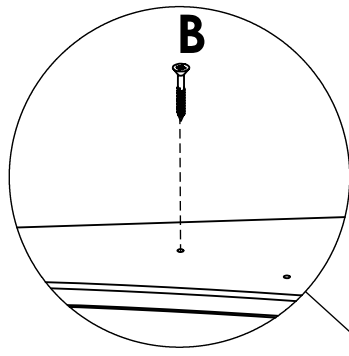
5



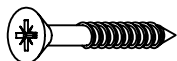
<b>J</b>		<b>M8</b>	<b>x4</b>
<b>K</b>		<b>M8</b>	<b>x4</b>



6



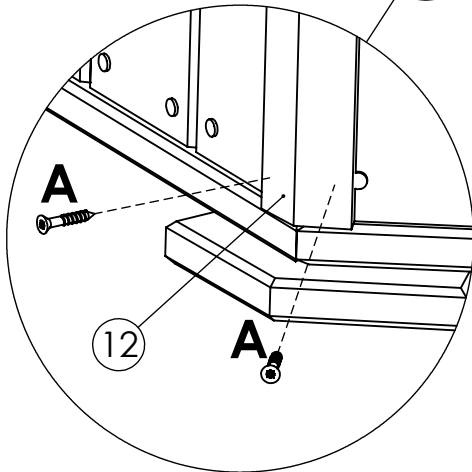
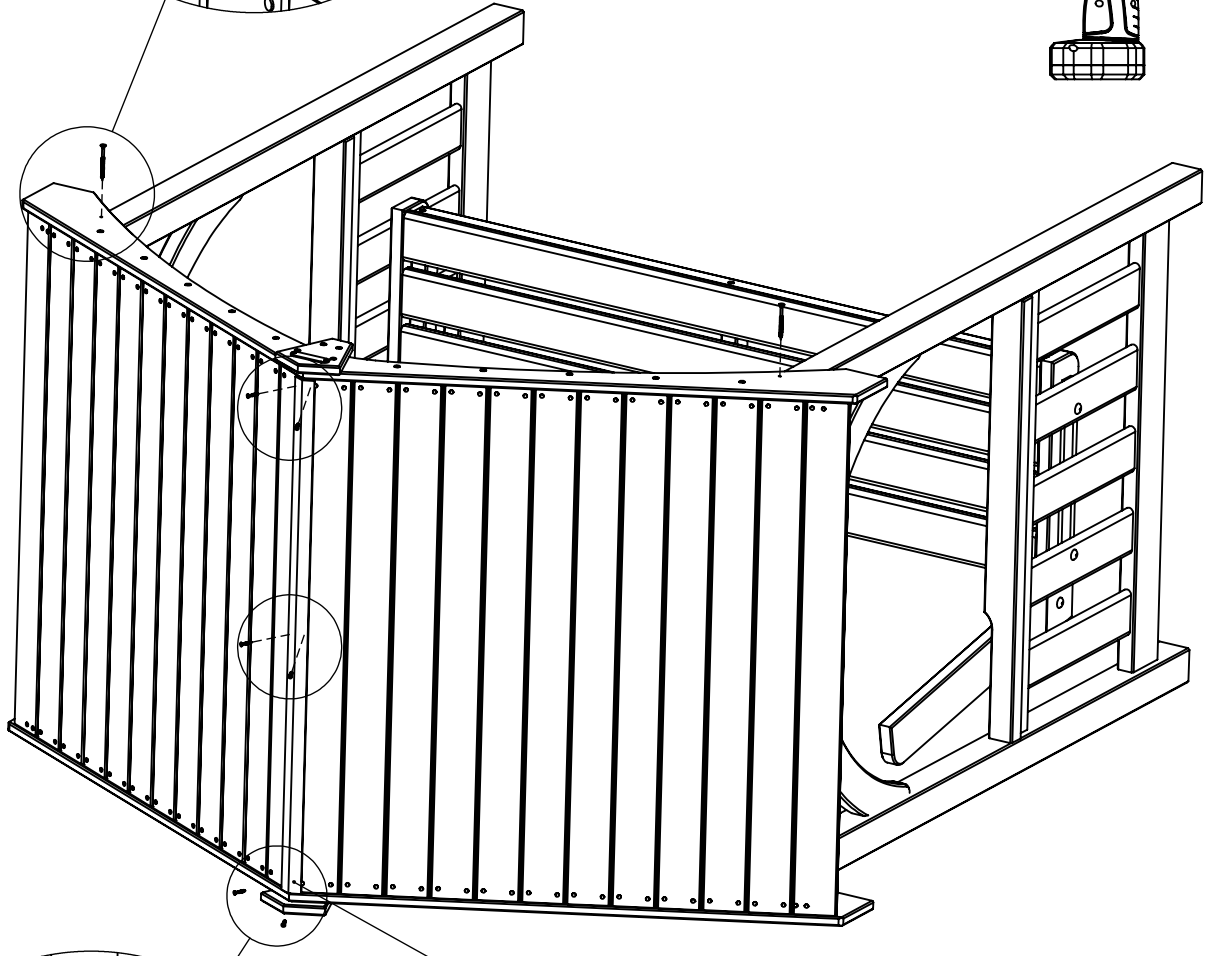
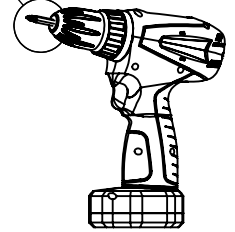
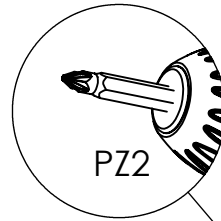
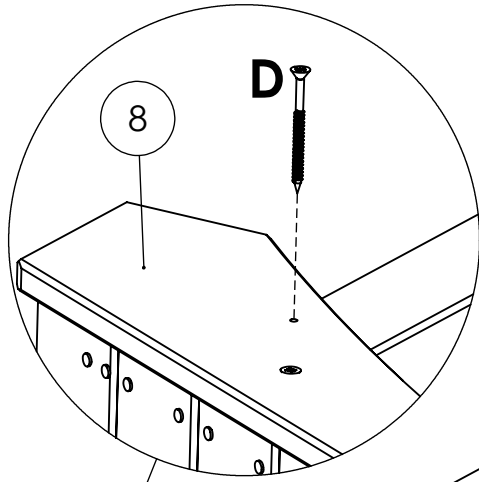
**B**





**4X40**

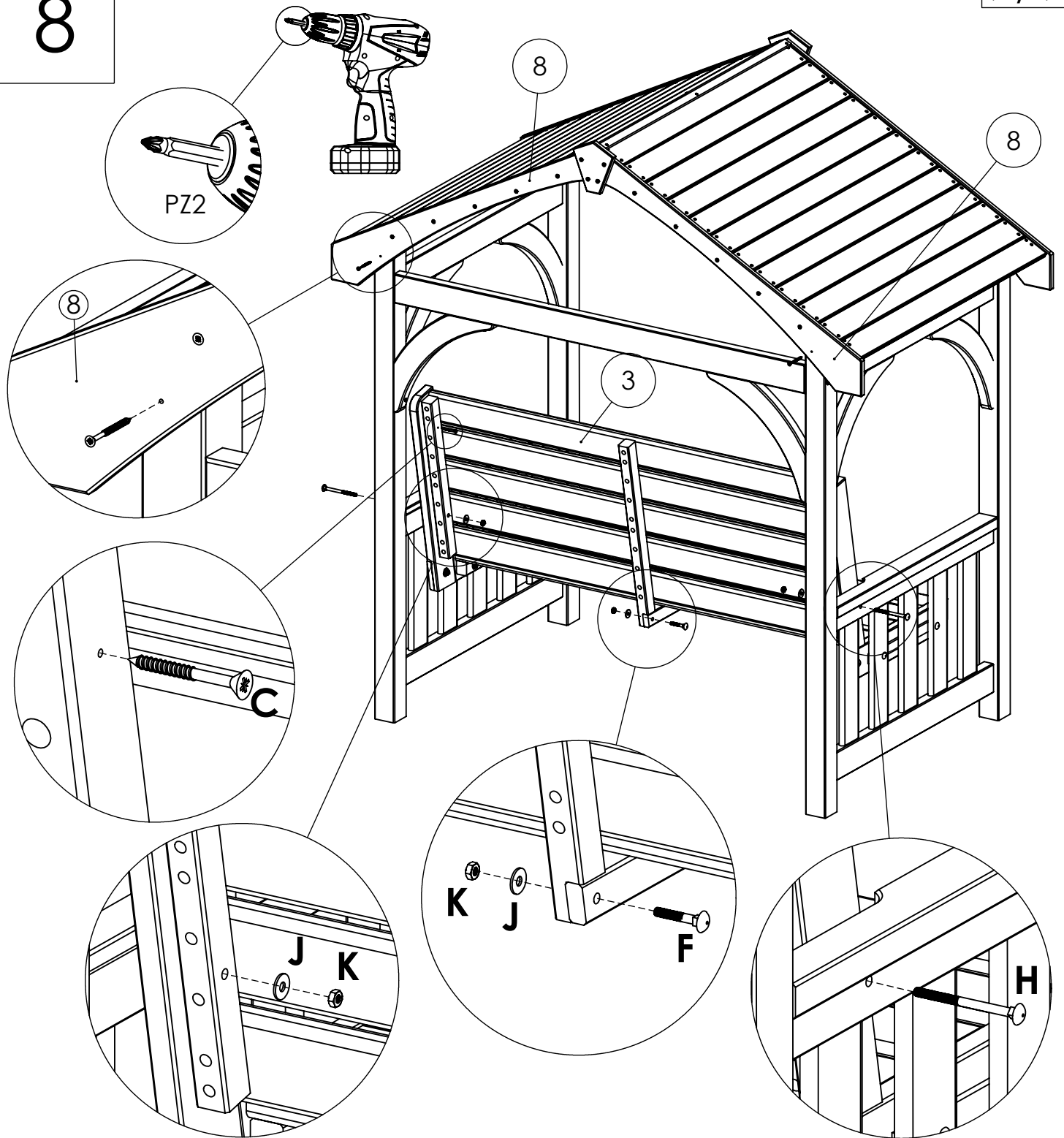
**x20**



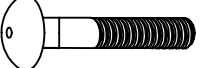
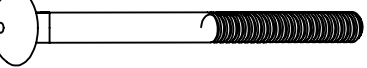

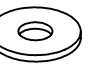
7



<b>A</b>		<b>3.5X25</b>	<b>x6</b>
<b>D</b>		<b>4X70</b>	<b>x2</b>

8



<b>D</b>		<b>4X70</b>	<b>x2</b>
<b>C</b>		<b>4X50</b>	<b>x2</b>
<b>F</b>		<b>M8x50</b>	<b>x1</b>
<b>H</b>		<b>M8x110</b>	<b>x2</b>
<b>J</b>		<b>M8</b>	<b>x3</b>
<b>K</b>		<b>M8</b>	<b>x3</b>