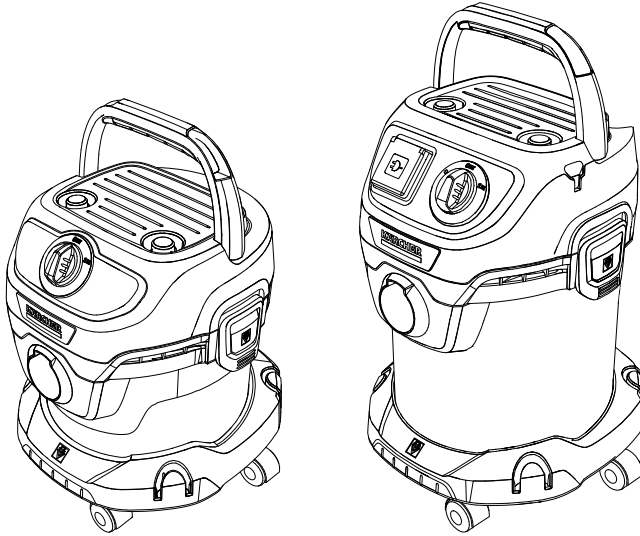


WD 2 Plus / WD 2 Plus S
WD 3 / WD 3 S / WD 3 P / WD 3 P S
KWD 2 / KWD 2 S
KWD 3 / KWD 3 S / KWD 3 P / KWD 3 P S

English
العربية

5
12

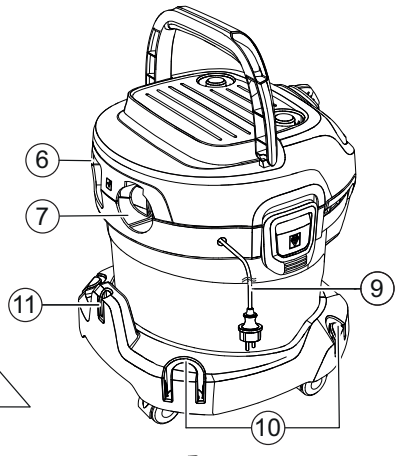
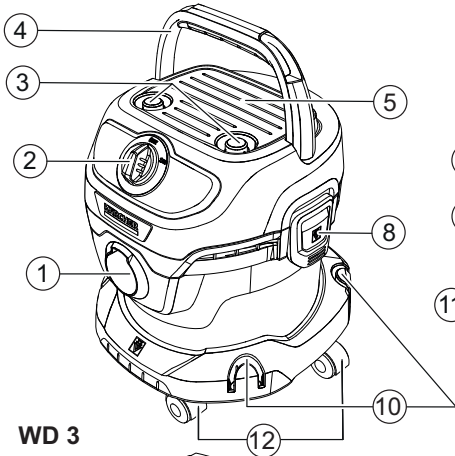


**Register
your product**
www.kaercher.com/welcome

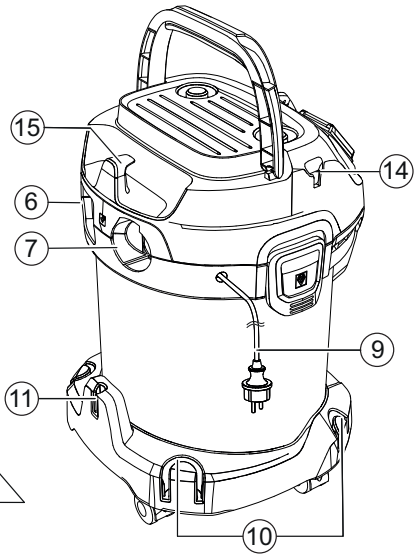
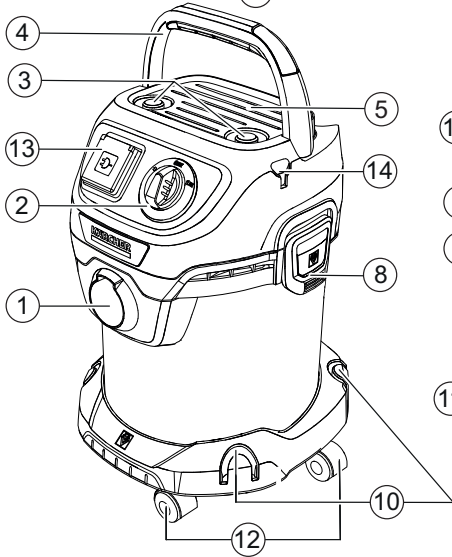


59510230 (06/21)

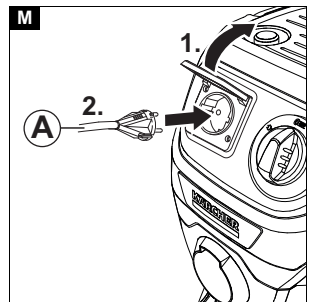
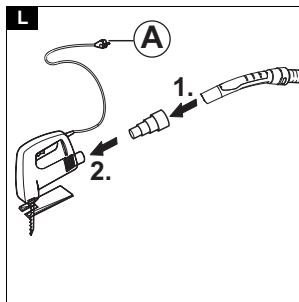
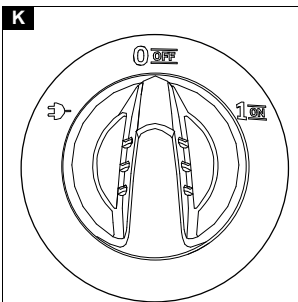
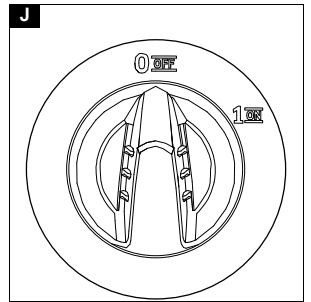
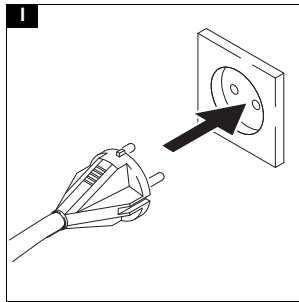
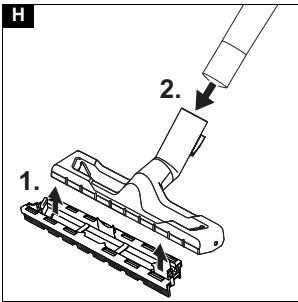
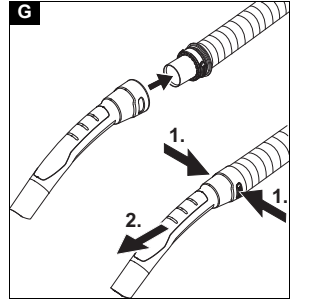
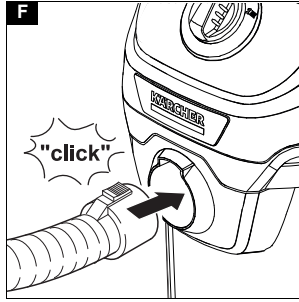
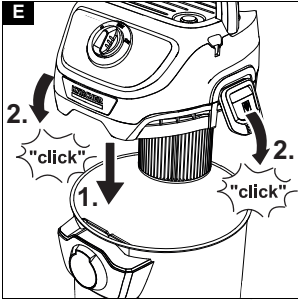
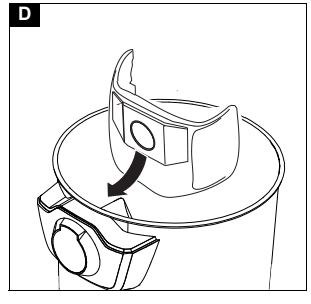
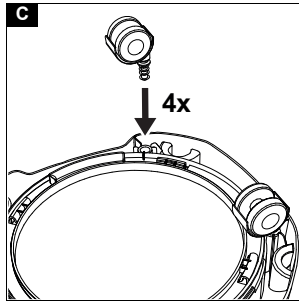
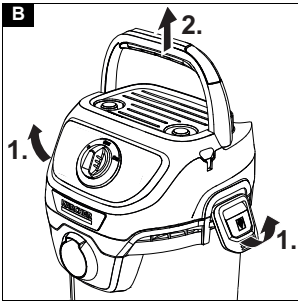
A WD 2 Plus

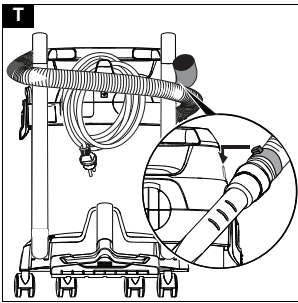
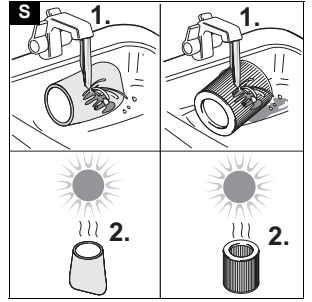
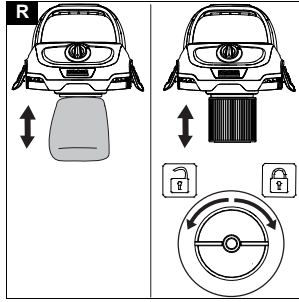
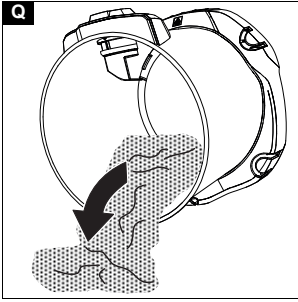
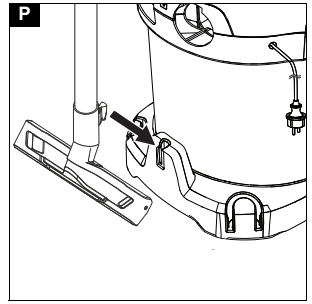
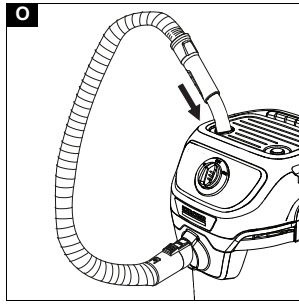
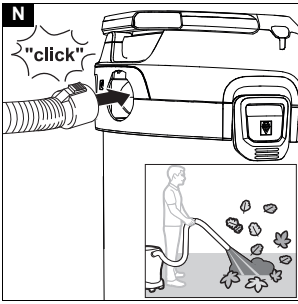


WD 3



16	17	18	19	20	21	22	23	24	25





Safety instructions Wet/dry vacuum cleaner and dry vacuum cleaner



Read these safety instructions and the original instructions before using the device for the first time. Act in accordance

with them.

- In addition to the notes in the operating instructions, you also need to take into consideration the general safety regulations and accident prevention guidelines applicable by law.
- Warnings and information notices attached to the device provide important information for hazard-free operation.

Hazard levels

⚠ DANGER

- Indication of an imminent threat of danger that will lead to severe injuries or even death.

⚠ WARNING

- Indication of a potentially dangerous situation that may lead to severe injuries or even death.

⚠ CAUTION

- Indication of a potentially dangerous situation that may lead to minor injuries.

ATTENTION

- Indication of a potentially dangerous situation that may lead to damage to property.

General safety instructions

⚠ DANGER • Risk of asphyxiation. Keep packaging film out of the reach of children.

⚠ WARNING • Only use the device for its proper use. Take into account the local conditions and beware of third parties, in particular children, when working with the device. • Persons with reduced physical, sensory or mental capabilities and persons lacking experience and knowledge may only use the appliance if they are properly supervised, have been instructed on use of the appliance safely by a person responsible for their safety, and understand the resultant hazards involved. • Only people who have been instructed on how to use the device, or have proven their ability to operate it, and have been explicitly instructed to use it, must use the device. • Children must not operate the device. • Children from the minimum age of 8 may use the appliance if they are properly supervised or have been instructed in its use by a person responsible for their safety, and if they have understood the resultant hazards involved. • Children must be supervised to prevent them from playing with the appliance. • Children may only perform cleaning work and user maintenance under supervision.

⚠ CAUTION • Safety devices are provided for your own protection. Never modify or bypass safety devices.

Risk of electric shock

⚠ DANGER • Only connect the device to alternating current. The voltage indicated on the type plate must match the voltage of the power source. • Never touch the mains plug and socket with wet hands. • Only operate the device via a fault current protection switch (maximum 30 mA). • Do not immerse the device in water.

⚠ WARNING • Only connect the device to an electrical connection which has been set up by a qualified electrician as per IEC 60364-1. • Check the power supply cable with mains plug for damage before operation each time. Do not put the device into operation with a damaged power supply cable. Have a damaged power supply cable replaced immediately by the authorised customer service / qualified electrician. • Do not damage the power supply and extension cable by running over it, crushing or yanking it or similar. Protect the power supply cable from heat, oil and sharp edges.

⚠ CAUTION • In case of longer breaks in operation and after use, switch off the device at the main switch / device switch and pull the mains plug. • Switch off the device and unplug the mains plug before performing cleaning/maintenance. • When using the device, pull the power supply cable fully out of the device. If the cable is wrapped around the cable hook, you must undo it completely. • Do not carry/transport the device using the power supply cable. • Do not pull the mains plug out the socket using the power supply cable.

Wet vacuum cleaning

⚠ WARNING

- In case of any foam formation or escaping liquids, switch off the device immediately and remove the mains plug.

Operation

⚠ DANGER

- Operation in explosive atmospheres is prohibited.
- Risk of explosion
- Never use the device to vacuum up combustible gases, liquids or dusts.
- Never use the device to vacuum up reactive metal dusts (e.g. aluminium, magnesium, zinc).
- Never use the device to vacuum up undiluted brine or acids.
- Never use the device to vacuum up any burning or smouldering objects/matter. These substances can corrode the materials in use on the device.

⚠ WARNING

- Risk of injury. Do not use the nozzle and suction pipe at head height.

⚠ CAUTION

- Never leave the device unsupervised while it is in operation.
- Accidents or damage due to the device falling over. Before all actions with or on the device, you must make sure that it is stable.

ATTENTION

- Protect the device from extreme weather conditions, moisture and heat.
- Never use the device without a filter, this can lead to device damage.

Care and service

⚠ WARNING

- Switch off the device immediately and remove the mains plug before performing any care and service work.

⚠ CAUTION

- Have repair work and work on electrical components carried out by the authorised customer service only.

ATTENTION

- Do not use scouring agents, glass or multi-purpose cleaner for cleaning.

Transport

⚠ CAUTION

- In order to prevent accidents or injuries, you must observe the weight of the device when transporting it.

Intended use

Only use the device in private households.

In accordance with the descriptions and the safety information in these operating instructions, the device is intended for use as a wet and dry vacuum cleaner.

Cold ashes may only be vacuumed with suitable accessories.

Protect the device from rain and do not store it outdoors.

Note

The manufacturer accepts no liability for possible damage caused by improper use or incorrect operation.

Environmental protection



The packing materials can be recycled. Please dispose of packaging in accordance with the environmental regulations.



Electrical and electronic appliances contain valuable, recyclable materials and often components such as batteries, rechargeable batteries or oil, which - if handled or disposed of incorrectly - can pose a potential threat to human health and the environment. However, these components are required for the correct operation of the appliance. Appliances marked by this symbol are not allowed to be disposed of together with the household rubbish.

Notes on the content materials (REACH)

Current information on content materials can be found at: www.kaercher.com/REACH

Accessories and spare parts

Only use original accessories and original spare parts. They ensure that the appliance will run fault-free and safely. Information on accessories and spare parts can be found at www.kaercher.com.

Scope of delivery

The scope of delivery for the appliance is shown on the packaging. Check the contents for completeness when unpacking. If any accessories are missing or in the event of any shipping damage, please notify your dealer.

Warranty

The warranty conditions issued by our relevant sales company apply in all countries. We shall remedy possible malfunctions on your appliance within the warranty period free of cost, provided that a material or manufacturing defect is the cause. In a warranty case, please contact your dealer (with the purchase receipt) or the next authorised customer service site. (See overleaf for the address)

Description of the unit

Depending on the model selected, there are differences in the equipment. The specific equipment is described on the device packaging.

For the illustrations, refer to the graphics page.

Illustration A

- ① Suction hose connection
- ② Rotary switch
- ③ Parking position handle / accessory holder
- ④ Foldable carrying handle
- ⑤ Storage area
- ⑥ Rating plate with technical data (e.g. container size)
- ⑦ Blower function
- ⑧ Container closure
- ⑨ Mains connection with mains plug
- ⑩ Accessory storage
- ⑪ Parking position for floor nozzle
- ⑫ Steering roller
- ⑬ Power socket
- ⑭ Hose storage, both sides (WD 3 / KWD 3)
- ⑮ Cable hook (WD 3 / KWD 3)
- ⑯ Filter bag
- ⑰ Foam filter
- ⑱ Cartridge filter
- ⑲ Suction hose (WD 2 Plus / KWD 2)
- ⑳ Removable handle (WD 3 / KWD 3)
- ㉑ Suction hose with connection piece (WD 3 / KWD 3)
- ㉒ Suction tubes 2 x 0.5 m
- ㉓ Crevice nozzle
- ㉔ Floor nozzle
- ㉕ Adapter for connecting power tools

Installing the steering rollers

1. Before initial startup, remove contents from the container.

Illustration B

Illustration C

Note

For devices with stainless steel containers, the accessories are not in the container, they are outside of it.

Initial startup

ATTENTION

Vacuuming without a foam or cartridge filter

Device damage

Always ensure that the foam or cartridge filter is inserted, for both wet vacuuming and dry vacuuming.

Inserting the filter bag

1. Fully unfold the filter bag.
2. Attach the filter bag to the device connection and press it on firmly.

Illustration D

3. Fit and lock the device head.

Illustration E

Note

We recommend using a filter bag to vacuum fine dust.

Installing the hose, pipes, floor nozzle

1. Connect the suction hose.
Illustration F
2. Connect the suction hose to the handle.
Illustration G

Note

For convenient vacuuming in confined spaces, the handle can be removed, and the accessories plugged directly onto the suction hose.

To release the handle, the grey areas on both sides of the handle must be pressed, and the handle pulled from the hose.

3. Install the floor nozzle.
 - Install the insert in the floor nozzle.
 - Connect the floor nozzle to the suction pipes.

Illustration H

Starting up the device

1. Plug the mains plug into the socket.

Illustration I

Devices without a socket

2. Set the trigger into the desired position.

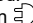
Illustration J

- Position "1 ON": The suction / blower function is activated.
- Position "0 OFF": The device is switched off.

Devices with a socket

3. Set the trigger into the desired position.

Illustration K

- Position "1 ON": The suction / blower function is activated.
- Position : When the power tool is connected, the suction is activated automatically.
- Position "0 OFF": The device is switched off.

Note

As long as the device is supplied with power, the device socket can be used as a power source.

Operation

Note

Pay attention to the latest part numbers when purchasing and installing filter bags and cartridge filters. Information on accessories and spare parts can be found at www.kaercher.com.

Dry vacuuming

ATTENTION

Vacuuming cold ashes

Device damage

Only vacuum cold ash with an ash pre-separator.

ATTENTION

Defective or wet foam filter / cartridge filter

Device damage

Before starting up, check the foam filter / cartridge filter for damage, and replace it if necessary. Only vacuum with a dry foam filter / cartridge filter.

Depending on the equipment variant, a foam filter or a cartridge filter is included.

- For devices with a foam filter: Always use the filter bag in addition to the foam filter when dry vacuuming.
- For devices with a cartridge filter: Always use the filter bag in addition to the cartridge filter when vacuuming fine dust.

Note

Replace the filter bag in good time, as a filter bag that is too full could be damaged. The fill degree of the filter

bag depends on the amount of dirt vacuumed. The filter bag should be replaced more frequently when vacuuming fine dust, sand, etc.

Wet vacuuming

ATTENTION

Wet vacuuming with a filter bag

Device damage

Do not use a filter bag when vacuuming wet.

ATTENTION

Operation with full container

When the container is full, a float switch closes the suction opening and the device runs at a higher speed.

Switch off the device immediately and empty the container.

Note

If the device falls over, the float can also close. To make the device capable of vacuuming again, set up the device, switch it off, wait 5 seconds and then switch it on again.

Working with power tools (only for devices with a built-in socket)

⚠ CAUTION

Unintentional starting of the power tool

Injury or property damage

Make sure that the power tool is ready for operation as soon as it is connected to the device socket.

1. Connect the suction hose.

Illustration F

2. If necessary, adjust the adapter to the connection diameter of the power tool using a suitable tool.
3. Put the adapter on the handle of the suction hose.
4. Mount the suction hose with the adapter on the power tool.

Illustration L

5. Plug the mains plug of the power tool into the device socket.

Illustration M


6. Set the trigger to .

Illustration K

The suction is activated automatically.

Note

Note the maximum connected load (see information on the device socket).

Note

As soon as the power tool is switched on, the suction turbine starts up with a 0.5 second delay. If the power tool is switched off, the suction turbine continues to run for approx. 5 seconds in order to suck in the residual dirt in the suction hose.

Blower function

The blower function can be used to clean areas that are difficult to reach or where vacuuming is not possible, e.g. leaves in a gravel bed.

- Insert the suction hose into the blower connection. The blower function is now activated.

Illustration N

Interrupting operation

1. Set the trigger to "0 OFF".
The device is switched off.

- Variant 1: Place the handle of the suction hose in the intermediate parking position.

Illustration O

Variant 2: Attach the floor nozzle in the parking position.

Illustration P

Ending operation

- Set the trigger to "0 OFF".
The device is switched off.
- Pull out the mains plug.
- Remove the device head.

Illustration B

- Empty the container.

Illustration Q

- Storage possibility:

Illustration T

Note

The suction hose can be wrapped around the device head and attached to the device head with the help of the hose collar.

- Store the device in a dry and frost-proof room.

Care and service

General care instructions

- Clean the device and plastic accessory parts with a commonly available plastic cleaner.
- Rinse the container and accessories with water, as necessary, and dry them before further use.

Clean the foam filter / cartridge filter



- If necessary, the foam filter / cartridge filter can be cleaned under running water. To do this, remove the foam filter from the filter basket. The cartridge filter can be unlocked and removed by turning it towards the symbol .
- Do not rub or scrub the foam filter / cartridge filter when cleaning it.
- Allow the foam filter / cartridge filter to dry completely before using it again.
- Depending on the filter type, reinsert as follows:
 - Foam filter: Pull the filter over the filter basket and ensure that it is fixed correctly.
 - Cartridge filter: Install the filter on the filter basket, turn it towards the symbol  and ensure that it is fixed correctly.

Illustration R

Illustration S

Optional accessories

Note

For variants with a foam filter, a cartridge filter can be purchased later as a special accessory and used instead of the foam filter.

- Before inserting the cartridge filter, remove the black cover cap and keep it with the foam filter for later use.
- Put on the cartridge filter and screw it tight.

Illustration R

Troubleshooting guide

Malfunctions often have simple causes that you can remedy yourself using the following overview. When in doubt, or in the case of malfunctions not mentioned here, please contact your authorised Customer Service.

Declining suction performance

Accessories, the suction hose or the suction tubes are clogged.

- Remove the clog with a suitable aid.
The filter bag is full.
- Replace the filter bag.
The foam filter / cartridge filter is dirty.
- Clean the foam filter / cartridge filter (see chapter *Clean the foam filter / cartridge filter*).
The foam filter / cartridge filter is damaged.
- Replace the foam filter / cartridge filter.

Technical data

Note

The technical data can be found on the type plate.

العناية والصيانة

تعليمات العناية العامة

- نظّف الجهاز وأجزاء الملحقات البلاستيكية باستخدام منظف بلاستيك شائع الاستخدام.
- اشطف الحاوية والملحقات بالماء، حسب اللزوم، وجففها قبل الاستخدام مرة أخرى.

نظف الفلتر الإسفنجي/الفلتر الخرطوشي

1. يمكن تنظيف الفلتر الإسفنجي/الفلتر الخرطوشي تحت الماء الجاري إذا لزم الأمر. وللقيام بذلك، اسحب الفلتر الإسفنجي من سلة الفلتر. يمكن فتح الفلتر الخرطوشي في اتجاه رمز المفتاح المفتوح (R) وإزالته.
 2. لا تفرك أو تنظف الفلتر الإسفنجي/الفلتر الخرطوشي بالفرشاة عند التنظيف.
 3. اترك الفلتر الإسفنجي/الفلتر الخرطوشي حتى يجف تماماً قبل إعادة استخدامه.
 4. إعادة إدخال الفلتر حسب نوع الاستخدام:
- الفلتر الإسفنجي: ركب الفلتر فوق سلة الفلتر وتأكد من تثبيته بشكل صحيح.
 - الفلتر الخرطوشي: ركب الفلتر على سلة الفلتر في اتجاه رمز المفتاح (R) وتأكد من تثبيته بشكل صحيح.

صورة إيضاحية R
صورة إيضاحية S

ملحقات خاصة

إرشاد

- يمكن في الطرازات المزودة بفلتر إسفنجي أن يتم شراء فلتر خرطوشي كملحق خاص وتركيبه بدلاً من الفلتر الإسفنجي.
1. قبل إدخال الفلتر الخرطوشي، انزع الغطاء الأسود واحتفظ به مع الفلتر الإسفنجي لاستخدامه لاحقاً.
 2. ركب الفلتر الخرطوشي واربطه بإحكام.
- صورة إيضاحية R

مساعدة في حالة حدوث أعطال

في الغالب تكون للاختلالات أسباب بسيطة يمكنك التغلب عليها ببساطة بالاستعانة بالعرض العام التالي. في حالات الشك أو عند حدوث اختلالات غير مذكورة هنا فيرجى التوجه إلى خدمة العملاء المعتمدة.

تقليل قوة الشفط

- الملحقات أو خرطوم الشفط أو أنابيب الشفط مسدودة.
- أزل الانسداد باستخدام وسائل مساعدة مناسبة.
- الفلتر الكيسي ممتلئ.
- استبدل الفلتر الكيسي.
- الفلتر الإسفنجي/الفلتر الخرطوشي متسخ.
- نظف الفلتر الإسفنجي/الفلتر الخرطوشي (انظر الفصل نظف الفلتر الإسفنجي/الفلتر الخرطوشي).
- الفلتر الإسفنجي/الفلتر الخرطوشي تالف.
- استبدل الفلتر الإسفنجي/الفلتر الخرطوشي.

البيانات الفنية

إرشاد

يمكن العثور على البيانات الفنية على لوحة المواصفات.

● الوضع "OFF 0": الجهاز متوقف.

العمل مع الأدوات الكهربائية (فقط للأجهزة ذات المقبس المدمج)

إرشاد

طالما أن الجهاز مزود بالبطاقة، يمكن استخدام مقبس الجهاز كمصدر للطاقة.

التشغيل

إرشاد

عند شراء الفلتر الكيسي والفلتر الخرطوشي وتركيبيهما، اتبه لأرقام الأجزاء الحالية.
تجد المعلومات الخاصة بالملحقات التكميلية وقطع الغيار على الموقع www.kaercher.com.

الشفط الجاف

تنبيه

كنس الأتربة الباردة

تلف الجهاز

اقتصر على كس الأتربة الباردة باستخدام فاصل الأتربة الأولى.

تنبيه

الفلتر الإسفنجي/الفلتر الخرطوشي تالف أو رطب

تضرر الجهاز

قبل بدء التشغيل، افحص الفلتر الإسفنجي/الفلتر الخرطوشي بحثاً عن أي تلف واستبدله إذا لزم الأمر. استخدم المكسة الكهربائية فقط بفلتر إسفنجي/فلتر خرطوشي جاف.

اعتماداً على نوع الجهاز، يتم تضمين فلتر إسفنجي أو فلتر خرطوشي.

● بالنسبة للأجهزة المزودة بفلتر إسفنجي: استخدم دائماً فلتر كيسي بالإضافة إلى الفلتر الإسفنجي عند التجفيف بالمكسة الكهربائية.

● بالنسبة للأجهزة المزودة بفلتر خرطوشي: استخدم دائماً الفلتر الكيسي بالإضافة إلى الفلتر الخرطوشي عند تنظيف الغبار الناعم.

إرشاد

استبدل الفلتر الكيسي في الوقت المناسب، لأن الفلتر الكيسي الممتلئ للغاية قد يتلف. يتعلق امتلاء الفلتر الكيسي بالأوساخ التي تم شفطها. يجب أن يتم استبدال الفلتر الكيسي بشكل متكرر عند استخدامه لشفط الغبار والرمل وما إلى ذلك.

الشفط الرطب

تنبيه

الكنس الرطب بكيس الفلتر

تلف الجهاز

لا تستخدم كيس الفلتر عند التنظيف الرطب بالمكسة الكهربائية.

تنبيه

التشغيل بحاوية ممتلئة

عندما تكون الحاوية ممتلئة، يُغلق المفتاح العوامة فتحة الشفط ويعمل الجهاز بسرعة أعلى.

أغلق الجهاز فوراً وأفرغ الحاوية.

إرشاد

إذا سقط الجهاز، فقد تغلق العوامة أيضاً. ليكون الجهاز قادراً على التنظيف مرة أخرى، اضبط الجهاز وأوقف تشغيله وانتظر 5 ثوانٍ ثم أعد تشغيله مرة أخرى.

△ تنويه

بدء التشغيل غير المقصود للأداة الكهربائية

إصابة أو ضرر في الممتلكات

تأكد من أن الأداة الكهربائية جاهزة للاستخدام بمجرد توصيلها بالمقبس.

1. توصيل خرطوم الشفط.

صورة إيضاحية F

2. إذا لزم الأمر، فقم بتكييف المحول وفقاً لقطر توصيل الأداة الكهربائية باستخدام أداة مناسبة.

3. صنع المحول على المقبض اليدوي لخرطوم الشفط.

4. ركب خرطوم الشفط بالمحول على الأداة الكهربائية.

صورة إيضاحية L

5. أدخل قابس الشبكة للأداة الكهربائية في المقبس.

صورة إيضاحية M

6. مفتاح الجهاز  ينبغي أن يتم ضبطه.

صورة إيضاحية K

يتم تنشيط الشفط تلقائياً.

إرشاد

لاحظ الحد الأقصى للحمل المتصل (انظر المعلومات الموجودة

على مقبس الجهاز).

إرشاد

بمجرد تشغيل الأداة الكهربائية، يبدأ تورين الشفط في العمل مع تأخير 0.5 ثانية. إذا تم إيقاف تشغيل الأداة الكهربائية، يستمر تورين

الشفط في العمل لمدة 5 ثوانٍ تقريباً لشفط الأوساخ المتبقية في خرطوم الشفط.

وظيفة النفخ

يمكن استخدام وظيفة النفخ لتنظيف المناطق التي يصعب الوصول إليها أو حيث يتعذر التنظيف بالمكسة الكهربائية، مثل أوراق الشجر في طبقة الحصى.

● أدخل خرطوم الشفط في وصلة المنفاخ. وظيفة النفخ مفعلة الآن.

صورة إيضاحية N

قطع عملية التشغيل

1. انقل مفتاح الجهاز إلى الوضع "OFF 0".

الجهاز متوقف.

2. الإصدار 1: صنع المقبض اليدوي لخرطوم الشفط في حامل

الركن المنوسط.

صورة إيضاحية O

الإصدار 2: قم بتعليق فوهة الأرضية في حامل الركن.

صورة إيضاحية P

إيقاف التشغيل

1. انقل مفتاح الجهاز إلى الوضع "OFF 0".

الجهاز متوقف.

2. نزع قابس الشبكة.

3. أزل رأس الجهاز.

صورة إيضاحية B

4. قم بتفريغ الوعاء.

صورة إيضاحية Q

5. خيار التخزين:

صورة إيضاحية T

إرشاد

يمكن لف خرطوم الشفط حول رأس الجهاز وتوصيله برأس الجهاز بمساعدة طوق الخرطوم.

6. احرص على تخزين الجهاز في غرفة جافة وآمنة ضد الصقيع.

حماية البيئة



المواد المستخدمة في التغليف قابلة لإعادة التدوير. يرجى التخلص من مواد التغليف بطريقة تحافظ على البيئة.

تحتوي الأجهزة الكهربائية والإلكترونية مواد قيمة قابلة لإعادة التدوير وغالباً على أجزاء مثل البطاريات، متراكمات أو الزئبق والتي قد تشكل خطورة على صحة الإنسان والبيئة في حالة التعامل معها أو تم التخلص منها بصورة خاطئة. إلا أن هذه الأجزاء ضرورية لتشغيل الجهاز بصورة سليمة. لا يجوز التخلص من الأجهزة المميزة بهذا الرمز مع النفايات المنزلية.

إرشادات حول مواد المحتويات (REACH)

تجد المعلومات الحالية حول مواد المحتويات على الموقع: www.kaercher.com/REACH

الملحقات التكميلية وقطع الغيار

استخدم الملحقات التكميلية الأصلية وقطع الغيار الأصلية فقط، والتي تضمن تشغيل الجهاز بشكل آمن وخالي من الاختلالات. تجد المعلومات الخاصة بالملحقات التكميلية وقطع الغيار على الموقع www.kaercher.com.

محتوى التسليم

محتوى تسليم الجهاز مصور على العبوة. تأكد من وجود جميع محتويات العبوة عند فتحها. وفي حالة نقص أية ملحقات تكميلية أو اكتشاف أي تلف بها ناتج عن عملية النقل، يرجى إخطار البائع.

الضمان

يسري في كل دولة شروط الضمان التي تضعها شركة التسويق المتخصصة التابعة لنا. نحن نتولى إصلاح الأخطاء التي قد تطرأ على جهازك خلال فترة الضمان بدون مقابل، عندما يكون سبب هذه الأعطال ناجم عن عيب في المواد المستخدمة أو في عملية التصنيع. في حالة استحقاق الضمان، توجه من فضلك بفسيةة الشراء إلى أقرب موزع أو مركز خدمة عملاء معتمد. (العنوان على الصفحة الخلفية)

مواصفات الجهاز

يوجد اختلاف في المعدات اعتماداً على الطراز المحدد. يتم وصف المعدات المحددة على عبوة الجهاز.

للاشكال، انظر صفحة الصور.

صورة إيضاحية A

- ① وصلة خرطوم الشفط
- ② مفتاح دوّار
- ③ مقبض يدوي لحامل الركن/مكان إدخال الملحقات
- ④ مقبض حمل قابل للطي
- ⑤ مساحة تخزين
- ⑥ لوحة مواصفات مزودة بالبيانات الفنية (مثل حجم الوعاء)
- ⑦ وطبقة النفخ
- ⑧ سداة الوعاء
- ⑨ وصلة الشبكة مع قابس الشبكة
- ⑩ مكان إدخال الملحقات
- ⑪ فوهة أرضية لحامل الركن
- ⑫ عجلة التوجيه
- ⑬ مقبض الجهاز
- ⑭ منطقة تخزين الخرطوم على كلا الجانبين (WD 3 / KWD 3)
- ⑮ ختاف الكابل (WD 3 / KWD 3)

⑯ فلتر كيسي

⑰ الفلتر الإسفنجي

⑱ فلتر خرطوشي

⑲ خرطوم شفط (WD 2 Plus / KWD 2)

⑳ مقبض يدوي قابل للإزالة (WD 3 / KWD 3)

㉑ خرطوم شفط مزود بموصل (WD 3 / KWD 3)

㉒ أنابيب شفط 2 × 0.5 م

㉓ فوهة الشفوق

㉔ فوهة الأرضية

㉕ محول لتوصيل الأدوات الكهربائية

تركيب العجلات الدوّارة

1. قم بإزالة المحتويات من الحاوية قبل الاستخدام الأول.

صورة إيضاحية B

صورة إيضاحية C

إرشاد

بالنسبة للأجهزة التي تحتوي على حاويات من الفولاذ المقاوم للصدأ، فإن الملحقات لا تكون في الحاوية، ولكن في الخارج.

بدء التشغيل

تنبيه

التشغيل بالمكثسة الكهربائية بدون الإسفنج الرغوي أو الفلتر

الخرطوشي

تضرر الجهاز

يُنغى العمل دائماً مع إدخال الإسفنج الرغوي أو الفلتر الخرطوشي سواء عند الشفط الرطب أو الجاف.

إدخال الفلتر الكيسي

1. افتح الفلتر الكيسي بالكامل.
2. قم بتوصيل الفلتر الكيسي بوصلة الجهاز واضغط عليه بقوة.
3. تركيب رأس الجهاز وتأمينه.

صورة إيضاحية D

صورة إيضاحية E

إرشاد

نوصي باستخدام فلتر كيسي لتنظيف الغبار الناعم.

الخرطوم، الأنابيب، فوهة الأرضية

1. توصيل خرطوم الشفط.
 2. توصيل خرطوم الشفط بالمقبض اليدوي.
- صورة إيضاحية F
- صورة إيضاحية G
- ### إرشاد
- للاستمتاع بمكثسة كهربائية مرحة في الأماكن الضيقة، يمكن إزالة المقبض اليدوي وتوصيل الملحقات مباشرة بخرطوم الشفط. لتحرير المقبض اليدوي، اضغط على المناطق الرمادية على جانبي المقبض اليدوي واسحب المقبض اليدوي بعيداً عن الخرطوم.
3. تركيب فوهة الأرضية.
 - تركيب الملحق في فوهة الأرضية.
 - توصيل فوهة الأرضية بأنابيب الشفط.
- صورة إيضاحية H

تشغيل الجهاز

1. إدخال قابس الشبكة في المقبس.

صورة إيضاحية I
2. اضبط المقبض اليدوي إلى الموضع المرغوب.

صورة إيضاحية J

 - الوضع "ON 1": تم تنشيط وطبقة الشفط/النفخ.
 - الوضع "OFF 0": الجهاز متوقف.
3. الجهاز المزود بمقبس
اضبط المقبض اليدوي إلى الموضع المرغوب.

صورة إيضاحية K

 - الوضع "ON 1": تم تنشيط وطبقة الشفط/النفخ.
 - الوضع : عند توصيل الأداة الكهربائية، يتم تنشيط نظام الشفط تلقائياً.

إرشادات السلامة



يرجى قراءة دليل التشغيل هذا قبل أول استخدام للجهاز وكذلك إرشادات السلامة المرفقة. ثم يجب استخدام الجهاز وفقاً لذلك.

- يجب عليك إلى جانب الإرشادات الواردة في دليل التشغيل مراعاة القواعد العامة للسلامة والوقاية من الحوادث والتي يحددها المشرع القانوني.
- تشير علامات الإرشاد والتحذير الموجودة على الجهاز إلى الإرشادات الهامة للتشغيل الآمن.

درجات الخطر

⚠️ خطر

• إشارة إلى خطر مباشر وشيك الحدوث وقد يؤدي إلى إصابات جسدية بالغة أو إلى الوفاة.

⚠️ تحذير

• إشارة إلى موقف قد تحفه المخاطر وقد يؤدي إلى إصابات جسدية بالغة أو إلى الوفاة.

⚠️ تنويه

• إشارة إلى موقف قد تحفه المخاطر وقد يؤدي إلى إصابات بسيطة.

⚠️ تنبيه

• إشارة إلى موقف قد تحفه المخاطر وقد يؤدي إلى حدوث أضرار مادية.

إرشادات السلامة العامة

⚠️ **خطر** • خطر الاختناق. يجب عليك إبعاد أكياس التعبئة والتغليف عن متناول الأطفال.

⚠️ **تحذير** • استخدم الجهاز وفقاً للعرض المحدد له فقط. عليك مراعاة الظروف المحيطة والانتباه عند استخدام الجهاز إلى الأشخاص الآخرين وخاصة الأطفال منهم. • يسمح للأشخاص الذين لديهم قدرات بدنية أو حسية أو عقلية محدودة أو الذين لا تتوافر لديهم الخبرة والمعرفة الكافية، أن يستخدموا الجهاز بشرط الإشراف عليهم بشكل صحيح، أو إذا تم بعد حصولهم على تعليمات بشأن كيفية الاستخدام الآمن للجهاز من قبل شخص مسؤول عن سلامتهم ومعرفتهم بالمخاطر المرتبطة به. • لا يسمح باستخدام الجهاز إلا من قبل الأشخاص الذين تم إرشادهم إلى كيفية استخدام الجهاز، أو الذين اتقنوا قدرتهم على استخدام الجهاز وتم تكليفهم صراحة باستخدامه. • لا يسمح للأطفال بتشغيل الجهاز. • يمكن أن يتم استخدام الجهاز من قبل صغار السن بدءاً من 8 سنوات على الأقل بشرط أن يتم المحافظة على سلامتهم عن طريق تعليمهم كيفية استخدام الجهاز من قبل شخص متخصص ووضعه تحت المراقبة وكذلك فهمهم الأخطار الناتجة عنه. • يجب مراقبة الأطفال الناكث من عدم لعبهم بالجهاز. • يسمح للأطفال القيام بعملية التنظيف والصيانة بشرط أن يتم الإشراف عليهم.

⚠️ **تنويه** • تجهيزات السلامة تخدم حمايتك. لا تقم بتغيير أو تجاوز تجهيزات السلامة أبداً.

خطر الصدمة الكهربائية

⚠️ **خطر** • قم بتوصيل الجهاز بتيار متردد فقط. يجب أن يتوافق الجهد الموجود على لوحة الطراز مع جهد مصدر التيار. • لا تلمس القابس الكهربائي والمقبس بأيدي مبللة بالماء نهائياً. • استخدم الجهاز عن طريق قاطع الدائرة الكهربائية فقط (30 مللي أمبير حد أقصى). • تجنب عمر الجهاز في الماء.

⚠️ **تحذير** • قم بتوصيل الجهاز بوسيلة كهربائية يكون تم شرائها من متجر متخصص ببيع الأجهزة الكهربائية وفقاً لمعيار IEC 60364-1. افحص كابل التوصيل الكهربائي المزود بقابس قبل كل عملية تشغيل. لا تقم بتشغيل الجهاز عندما يكون كابل التوصيل الكهربائي تالف. قم بتغيير كابل التوصيل الكهربائي التالف فوراً من قبل خدمة العملاء المعتمدة/فني كهربائي. • لا تقم بالتحاق أضرار أو إتلاف كابل التوصيل الكهربائي وكابل التمديد الكهربائي عن طريق الدهس، سحق، الشد أو فعل شيء به من هذا القبيل. قم بحماية كابل التوصيل الكهربائي من الحرارة، التريت والحواف الحادة.

⚠️ **تنويه** • يجب عند التوقف عن العمل لفترة استراحة طويلة وبعد الاستخدام إيقاف الجهاز عن طريق المفتاح الرئيسي / مفتاح الجهاز وكذلك فصل القابس الكهربائي أيضاً. • أوقف تشغيل الجهاز قبل كل عملية تنظيف / صيانة، وإسحب قابس التيار الكهربائي.

- عند استخدام الجهاز: اسحب كابل مصدر الطاقة بالكامل خارج الجهاز إذا كان الكابل ملتصقاً حول خطاف الكابل، فيجب إرجاعه تماماً. • لا تحمل/لا تتلق جهاز الشحن من كابل وصلة الشبكة. • لا تشد قابس الشبكة من كابل الشبكة من المقبس.

التنظيف الرطب بالمكنسة الكهربائية

⚠️ تحذير

• في حالة تكون رغوة أو تسرب سائل، أوقف الجهاز فوراً وافصل القابس الكهربائي.

التشغيل

⚠️ خطر

- يمنع معاً باتا التشغيل في المناطق القابلة للانفجار.
- خطر الانفجار
- تجنب استخدام الجهاز في شطف الأتربة أو السوائل أو الغازات القابلة للاشتعال.
- تجنب استخدام الجهاز في شطف غبار المعادن التفاعلية (على سبيل المثال، الألومنيوم، والمغنيسيوم، والزنك).
- تجنب استخدام الجهاز في شطف الماء المالح أو الأحماض غير المخففة.
- تجنب استخدام الجهاز لشطف أي مواد/أجسام تحترق أو يتصاعد منها الدخان.

قد تتسبب هذه المواد في تآكل المواد المستخدمة في الجهاز.

⚠️ تحذير

• خطر الإصابة. لا تستخدم الفوهة وأنبوب الشطف بارتفاع رأسى.

⚠️ تنويه

- لا تترك الجهاز دون مراقبة أبداً طالما يكون مشغلاً.
- حوادث وأضرار ناجمة عن سقوط الجهاز. يجب عليك ضمان السلامة قبل إجراء أي عمل على الجهاز أو قبل استخدام الجهاز.

تنبيه

- قم بحماية الجهاز من ظروف الطقس القاسية والرطوبة والحرارة.
- تجنب استخدام الجهاز دون فلتر، فقد يؤدي ذلك إلى تلف الجهاز.

العناية والخدمة

⚠️ تحذير

- أوقف تشغيل الجهاز على الفور واتزع القابس الرئيسي قبل القيام بأي من أعمال العناية والخدمة.

⚠️ تنويه

- عليك إجراء أعمال الإصلاح أو الأعمال الأخرى على القطع الكهربائية من قبل مركز خدمة معتمدة فقط.

تنبيه

- لا تستخدم المواد الكاشطة أو منظف الزجاج أو منظف متعدد الأغراض في التنظيف.

النقل

⚠️ تنويه

- لتفادي وقوع الحوادث أو الإصابات، يتعين عليك مراعاة وزن الجهاز عند نقله.

الغرض من الاستخدام

أقتصر على استخدام الجهاز في المنزل. الجهاز مصمم للاستخدام كمكنسة كهربائية للتنظيف الرطب والجاف وفقاً للشروط ومعلومات السلامة الواردة في تعليمات التشغيل هذه.

لا يجوز كنس الأتربة الباردة إلا باستخدام ملحقات مناسبة. احرص على حماية الجهاز من المطر ولا تخزنه بالخارج.

إرشاد

لا تتحمل الشركة الصانعة أية مسؤولية عن الأضرار المحتملة الناجمة عن الاستخدام غير السليم أو التشغيل غير الصحيح.



THANK YOU!
MERCI! DANKE! ¡GRACIAS!



Registrieren Sie Ihr Produkt und profitieren Sie von vielen Vorteilen.

Register your product and benefit from many advantages.

Enregistrez votre produit et bénéficiez de nombreux avantages.

Registre su producto y aproveche de muchas ventajas.

www.kaercher.com/welcome



Bewerten Sie Ihr Produkt und sagen Sie uns Ihre Meinung.

Rate your product and tell us your opinion.

Évaluer votre produit et dites-nous votre opinion.

Reseñe su producto y díganos su opinión.



www.kaercher.com/dealersearch

Alfred Kärcher SE & Co. KG
Alfred-Kärcher-Str. 28-40
71364 Winnenden (Germany)
Tel.: +49 7195 14-0
Fax: +49 7195 14-2212

