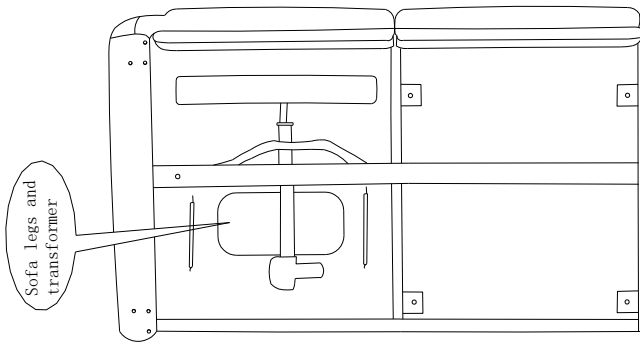


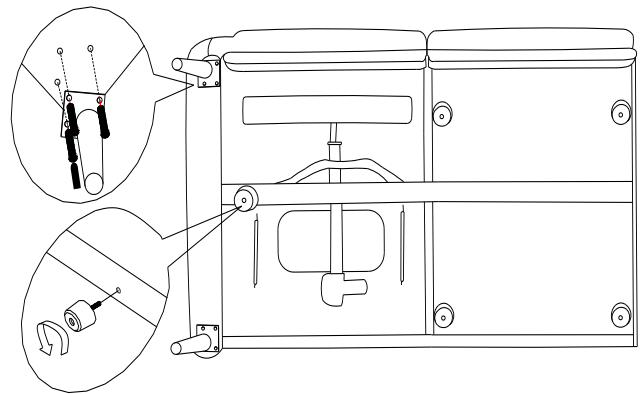
Grace Corner Sofa Assembly Instructions

NO. 1



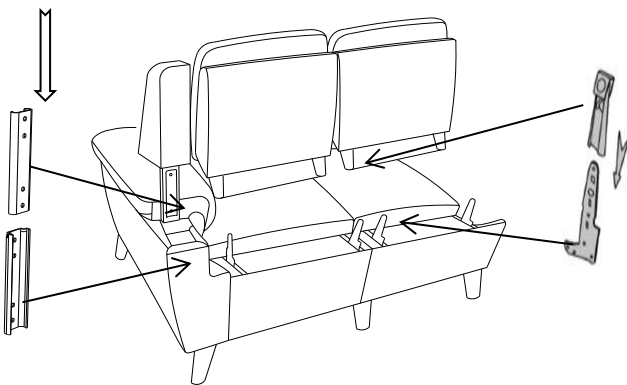
Turn the sofa up and take out the sofa legs and the transformer under the sofa

NO. 2



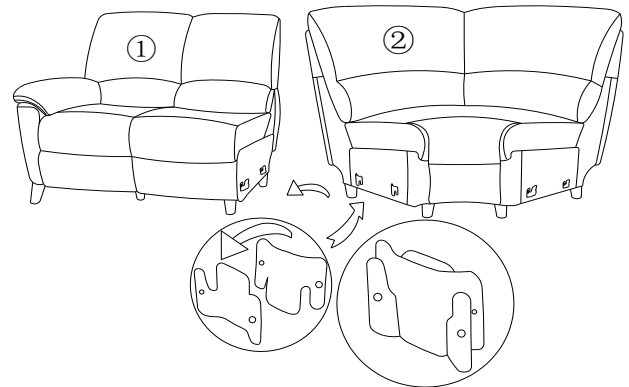
Align the plastic feet with the holes and tighten them clockwise; place the wooden feet on the four corners of the bottom of the sofa, and use the screws to align the holes and tighten

NO. 3



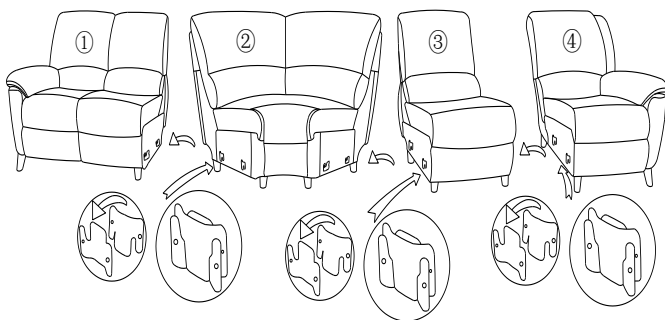
Align the backrest and the armrest on the back as shown in the picture, and align them downwards tightly

NO. 4



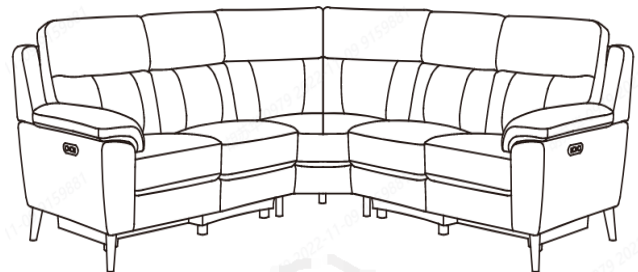
Place 2 parts of sofa together as shown in the pic., then insert sofa ② on sofa ①

NO. 5



Follow same steps, insert sofa ③ on sofa ①, and then insert sofa ④ on sofa ③

NO. 6



Finished Product Picture