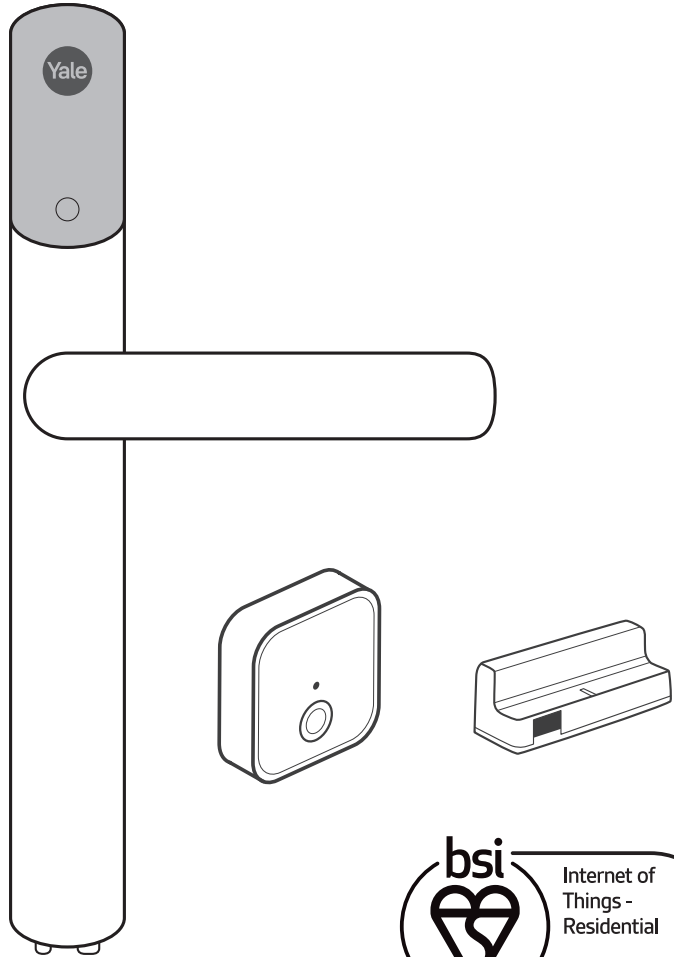




# Conexis® Smart Lock L2 User Manual



KM 735817

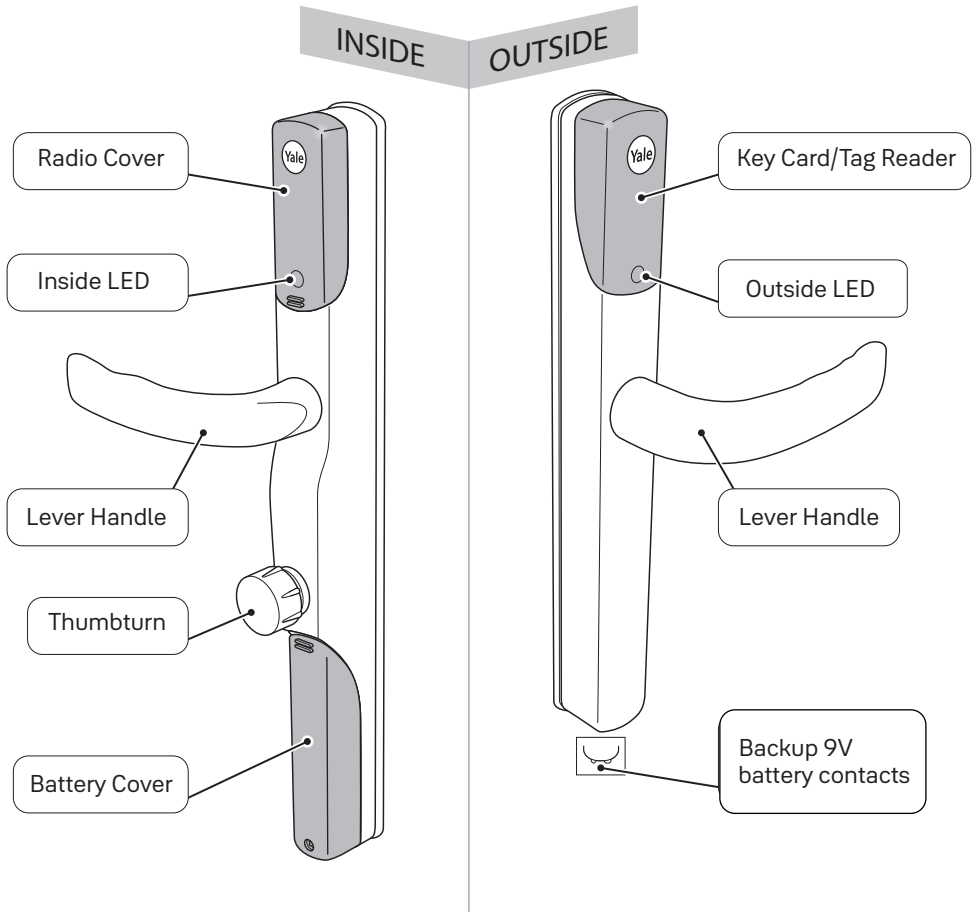
# Introduction

## Contents

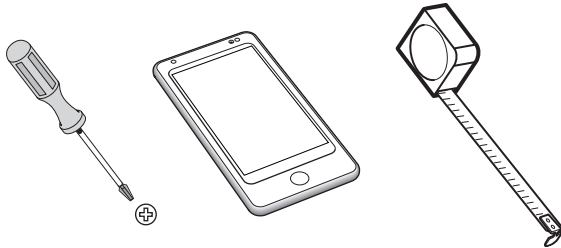
|  |    |
|--|----|
| Conexis® Smart Lock L2 Product Overview .....                    | 4  |
| Inside The Box .....   | 4  |
| Removing existing handle & cylinder .....                        | 6  |
| Measuring Your Door .....  | 7  |
| Installing The Actuator .....                                    | 8  |
| Installing Handles .....   | 9  |
| Handing The Lock .....   | 15 |
| Installing the Yale Access Module and Connect Wi-Fi Bridge ..... | 16 |
| Locking the Conexis® Smart Lock L2 .....                         | 17 |
| Unlocking with Key Card or Key Tag .....                         | 18 |
| Installation Checklist .....                                     | 19 |
| Battery Indicator .....  | 20 |
| Factory Reset .....  | 21 |

Hereby, ASSA ABLOY Ltd declares that the Conexis® Smart Lock L2 is in compliance with Directive 2014/53/EU. The full text of the EU declaration of conformity is available at the following internet address: <https://yalehome.co.uk/declarations-of-conformity>

# Conexis® Smart Lock L2 Product Overview

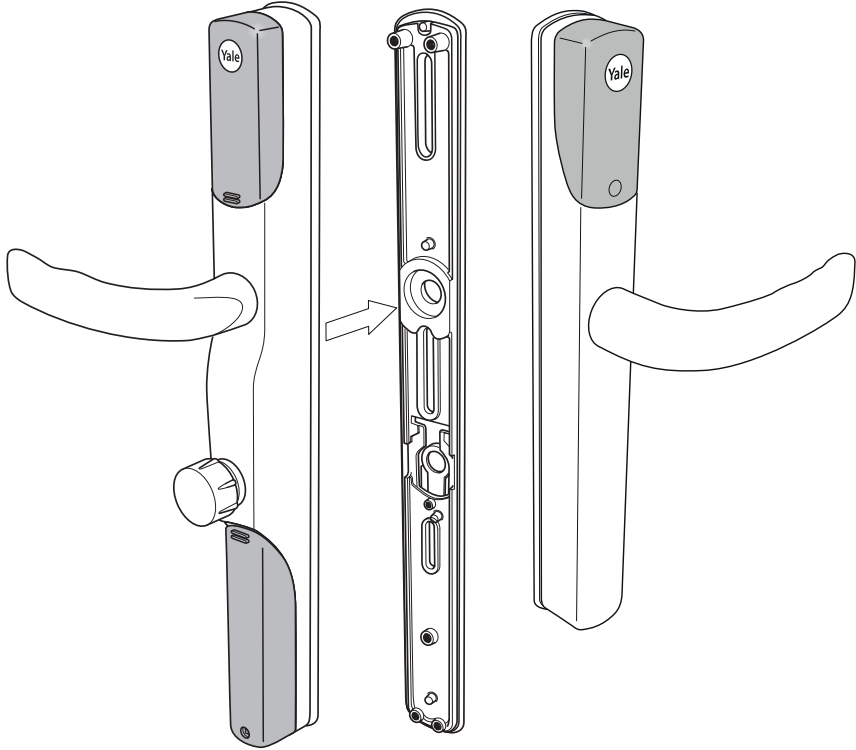


## Tools Required\*



\*Additional tools may be required to remove your existing handles

# Inside The Box



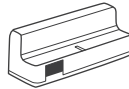
1x Yale Connect  
Wi-Fi Bridge



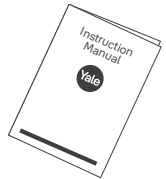
1x DoorSense™



1x Key Tag



1x Yale Access  
Module



1x Manual

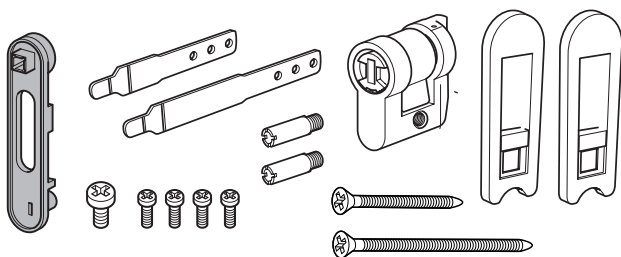


1x DoorSense™  
Cover

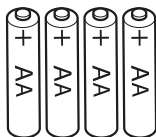


1x  
Key Card

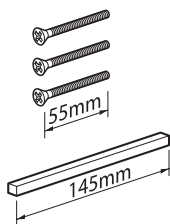
Fixing Pack A



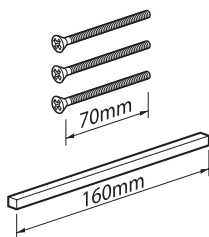
4 x AA Alkaline Batteries



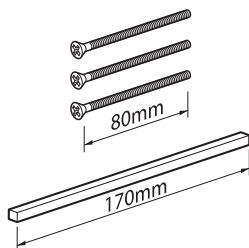
Fixing Pack B



Fixing Pack C

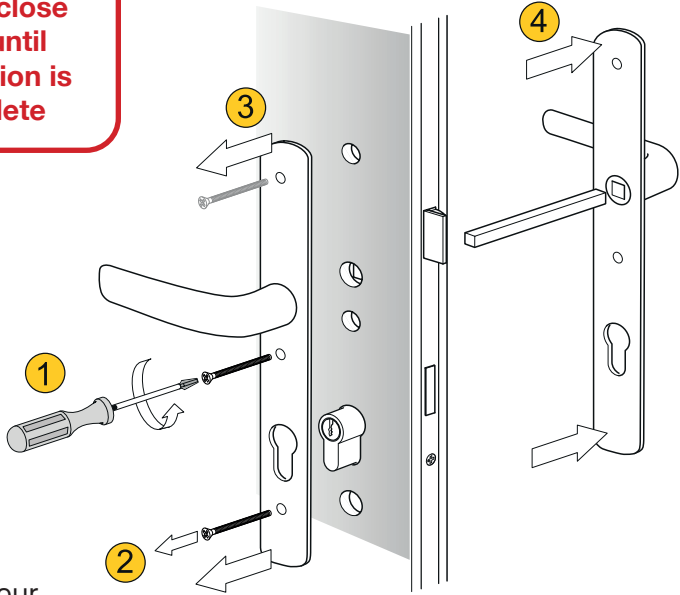


Fixing Pack D

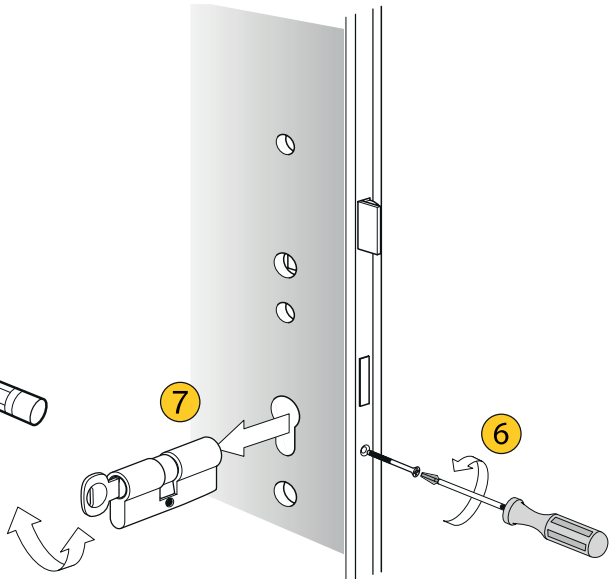
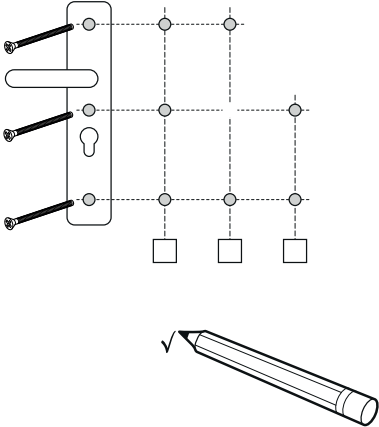


# Removing Existing Handle And Cylinder

 **Do not close door until installation is complete**



**5** Make note of your current fixing screw positions



# Measuring Your Door

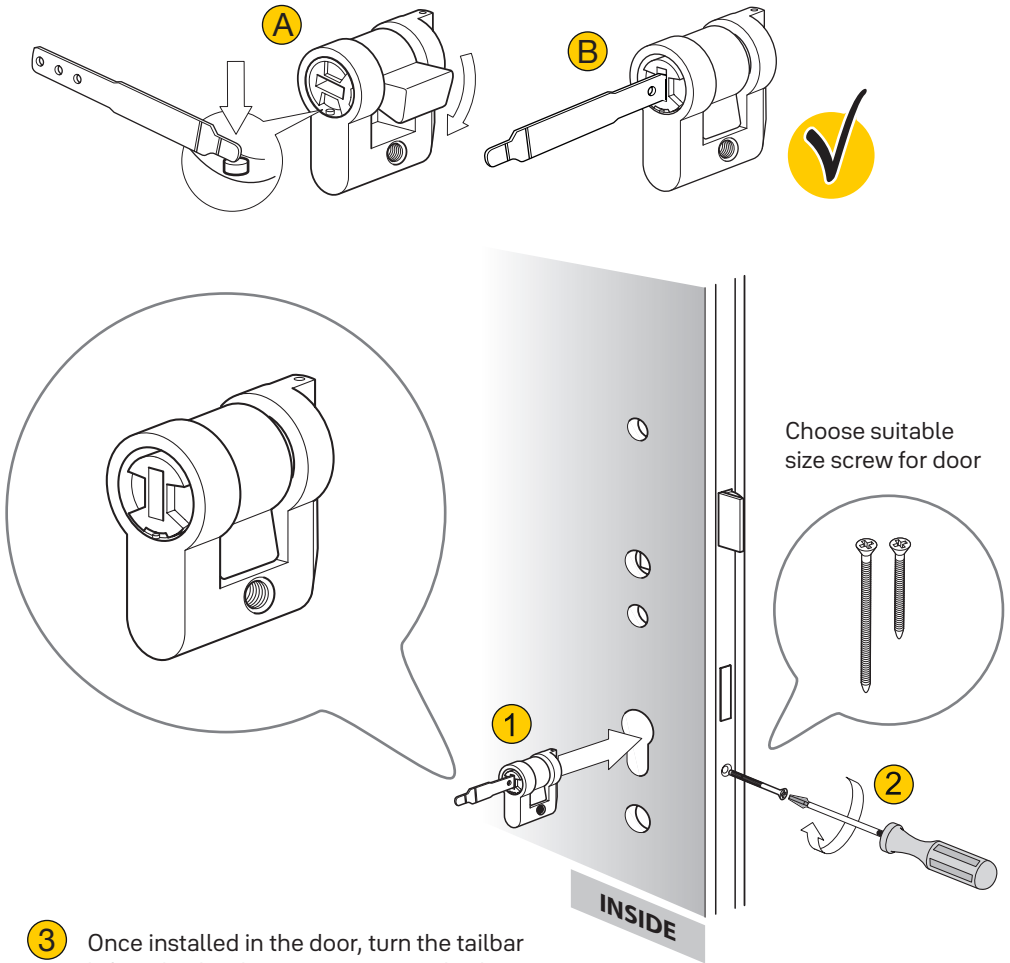
**1** Measure the thickness of the door to select the correct fixing pack.

| Fixing Pack B             | Fixing Pack C             | Fixing Pack D          |
|---------------------------|---------------------------|------------------------|
|                           |                           |                        |
| Door thickness<br>44-50mm | Door thickness<br>58-65mm | Door thickness<br>70mm |

**2** Measure the distance between the centre of the lock and the inside of the door to select the correct tailbar.

|             |               |  |  |
|-------------|---------------|--|--|
|             |               |  |  |
| 21mm - 26mm | Short Tailbar |  |  |
| 26mm - 31mm |               |  |  |
| 31mm - 36mm |               |  |  |
| 36mm - 41mm | Long Tailbar  |  |  |
| 41mm - 46mm |               |  |  |
| 46mm - 51mm |               |  |  |

# Installing The Actuator

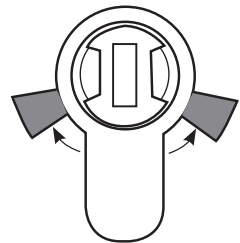


- 3** Once installed in the door, turn the tailbar left and right, do not turn past angle shown on diagram. Does it move freely?

**Yes**, if it moves freely, please proceed.

**No**, remove the actuator from door and realign until it moves freely.

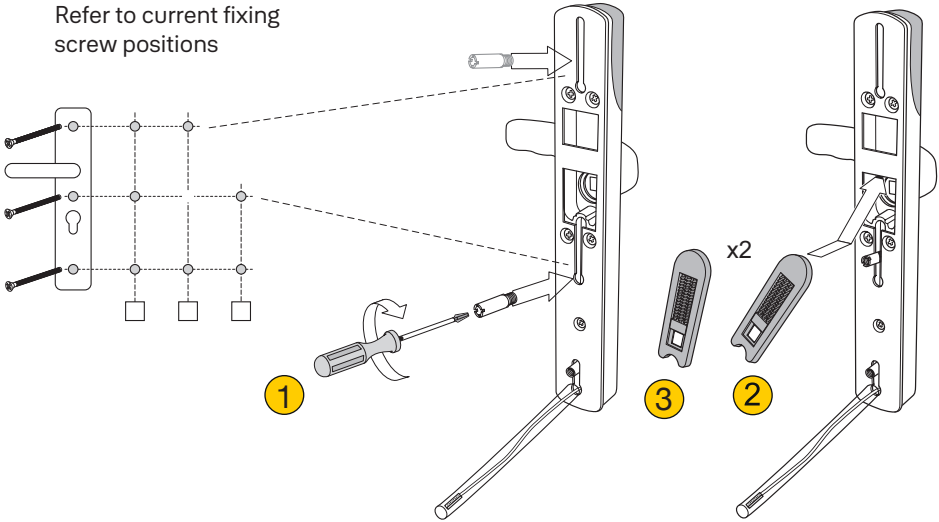
**Tip:** You may need to reset the actuator so that the tailbar is in the vertical position before continuing.



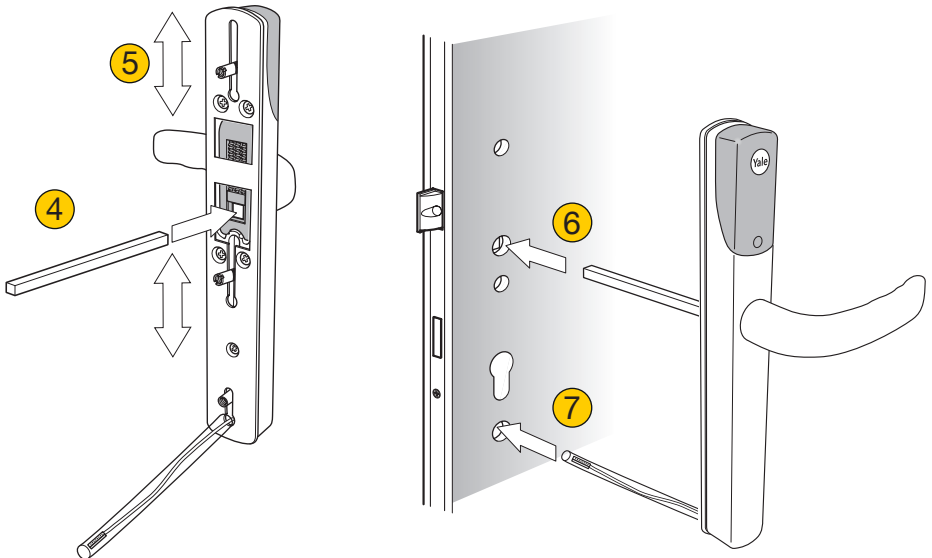


# Installing External Handle


Refer to current fixing  
screw positions

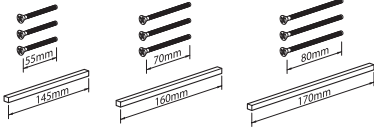


You may need to screw in an additional lug from fixing pack A.



# Installing Internal Fixing Plate

 **Ensure correct fixing pack is used for width of door. Do not fully tighten as the handle needs to be aligned in the next step.**



Fixing pack B, C or D screws.

**2**

**1** Remove

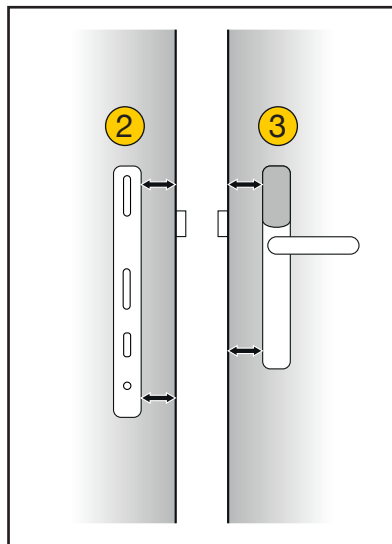
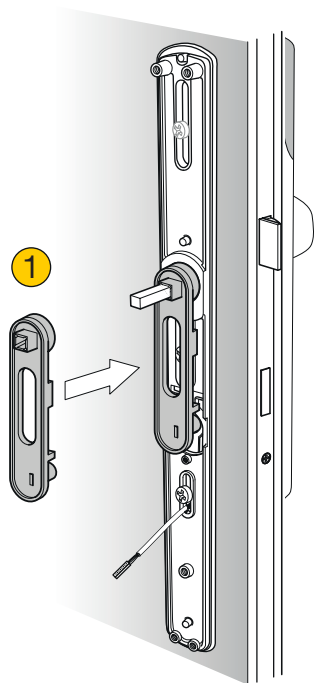
**3**

**4**

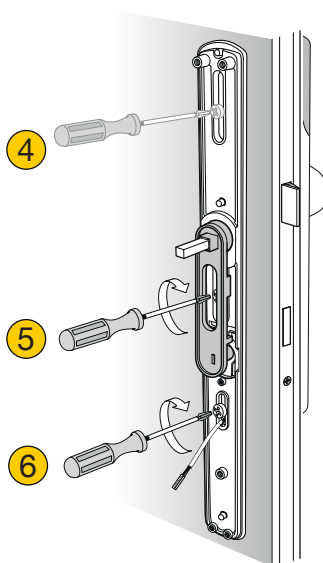
**5**

# Aligning Handle

Ensure exterior handle and fixing plate are parallel before finally tightening screws.

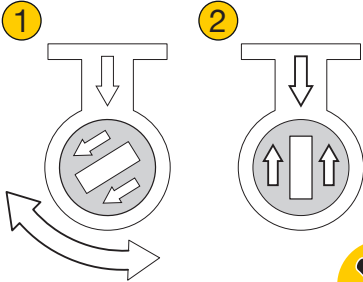
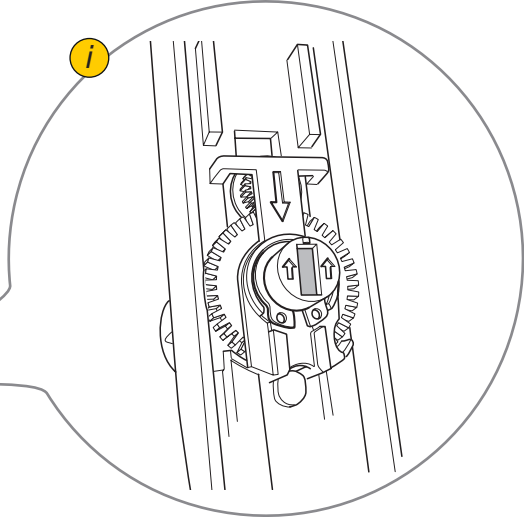
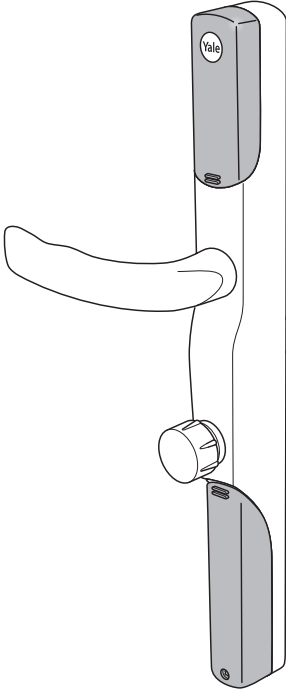


Please ensure that alignment tool is flat against the door as screws are tightened. This ensures the motor is aligned correctly.



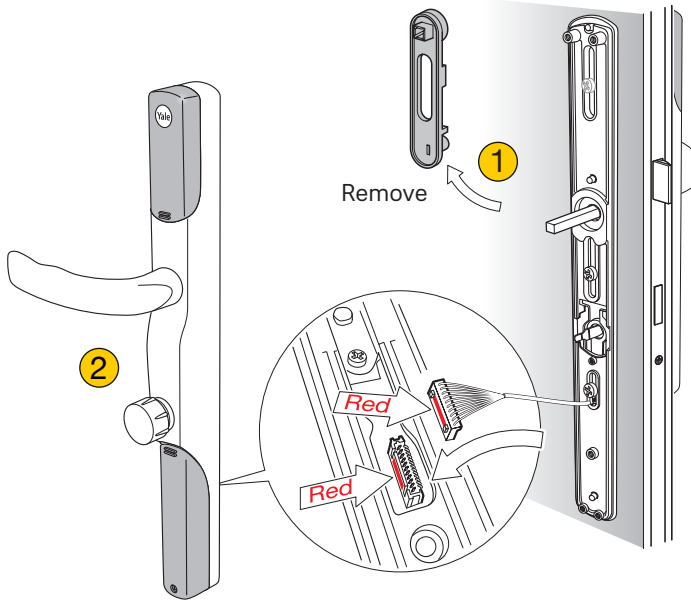
# Installing Internal Handle

 **Do not turn thumbturn until installation is complete**

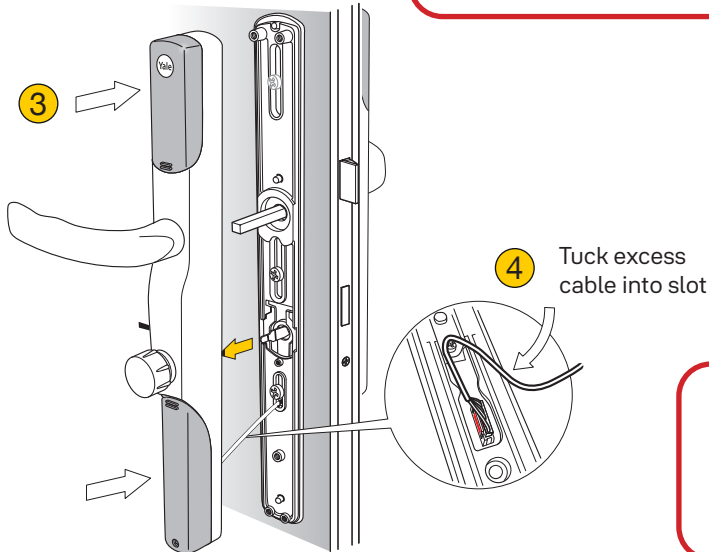


Turn until arrows are facing each other

# Installing Internal Handle

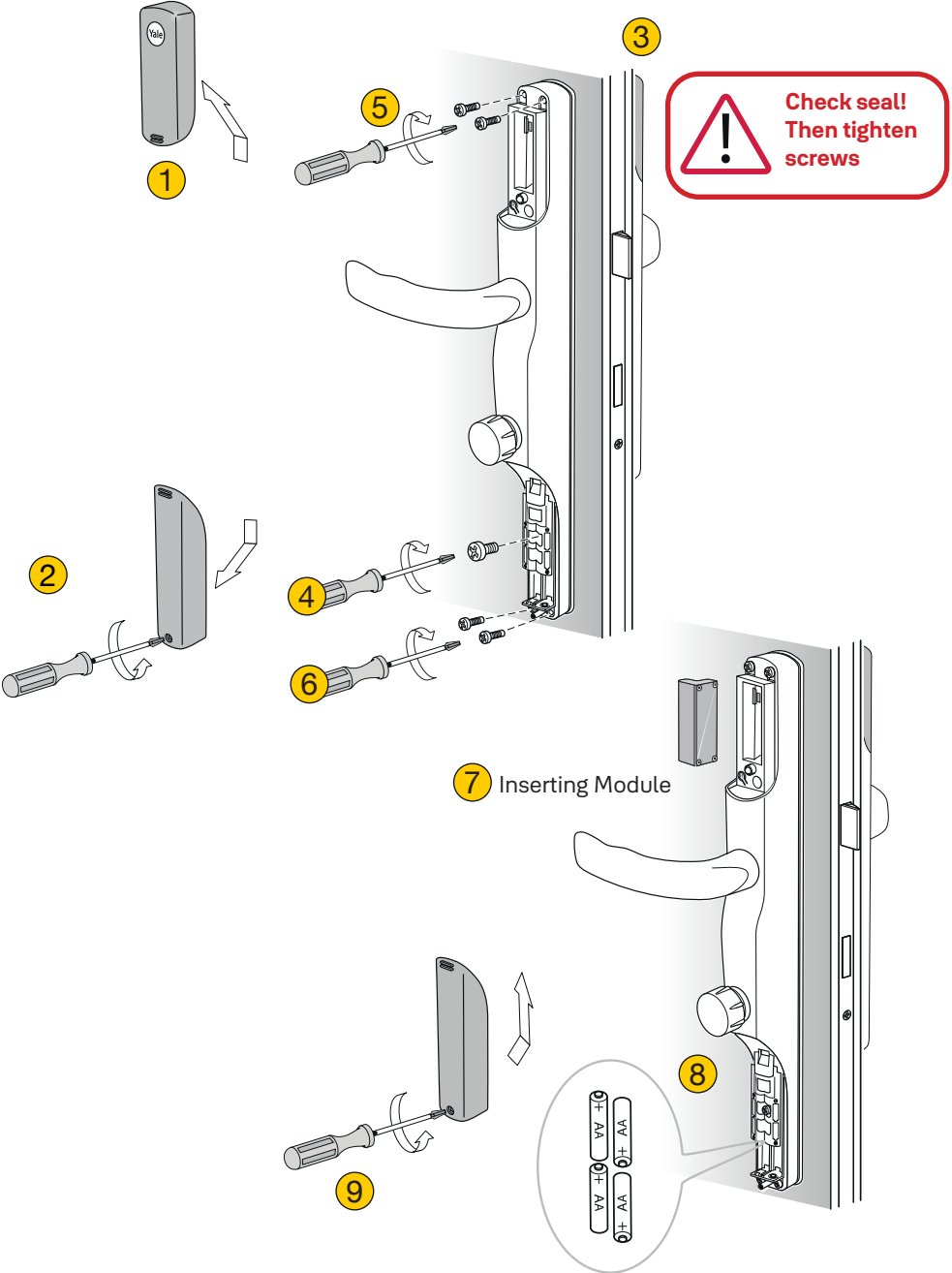


**Take care when removing cable if adjustments are needed**



**Do not trap cable!**

# Installing Internal Handle



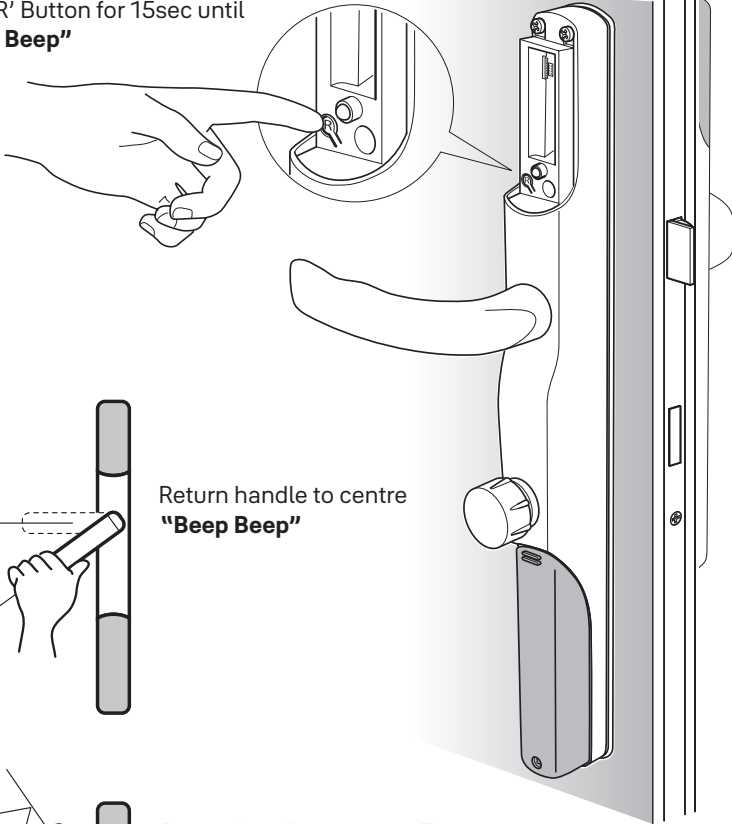
# Handing The Lock



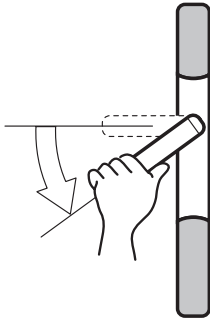
If these steps are not completed the door will not lock.  
If the lock sounds like it is struggling to lock, check actuator installation shown on page 8

Hold 'R' Button for 15sec until  
"Beep Beep"

1

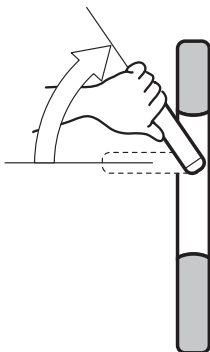


2



Return handle to centre  
"Beep Beep"

3



Return handle to centre. The  
lock will now configure itself  
by locking and unlocking.

"Beep Beep Beep"



If after completing this step  
you get 8 related beeps and a  
red light, this indicates there  
is an issue with alignment.  
To fix this please uninstall the  
unit & go back to page 8.

# Yale Access Module & Yale Connect Wi-Fi Bridge Set-up Guide

- 1) Download the Yale Access App from the Google Play Store or the Apple App store and follow the on-screen instructions to create your Yale Access account.



- 2) To set up a device - When prompted, please scan the QR code which can be found on the back of the Yale Access Module or below and follow the in-app instructions.

Please Note: Bluetooth must be enabled on your mobile device prior to set-up.

The Yale Access App will guide you through the set up of your Yale Access Module and Connect Wi-Fi Bridge, as well as showing you how to add and remove Keycards and tags.

If you have any questions, please contact us at <https://support.yalehome.com/>

Google Play and the Google Play logo are trademarks of Google LLC

Apple, the Apple logo, iPhone, are trademarks of Apple Inc., registered in the U.S. and other countries and regions. App Store is a service mark of Apple Inc.

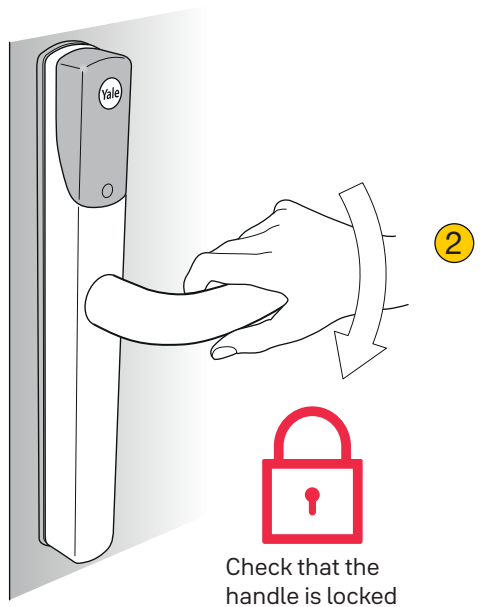
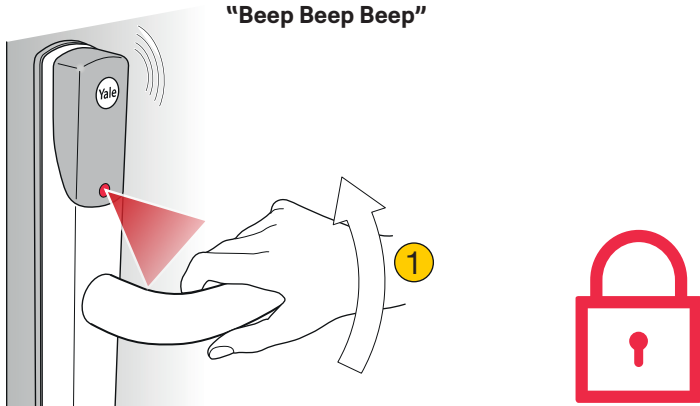




# Locking the Conexis® Smart Lock L2

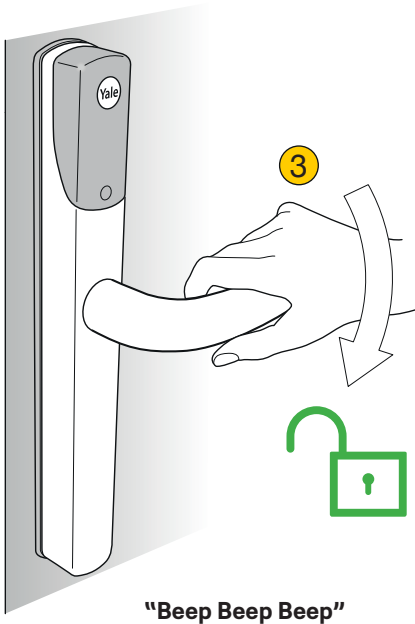
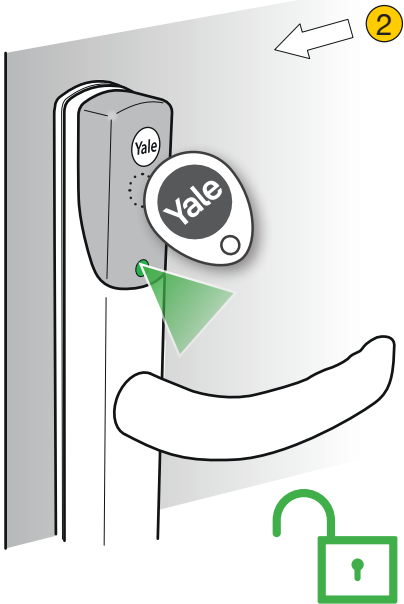
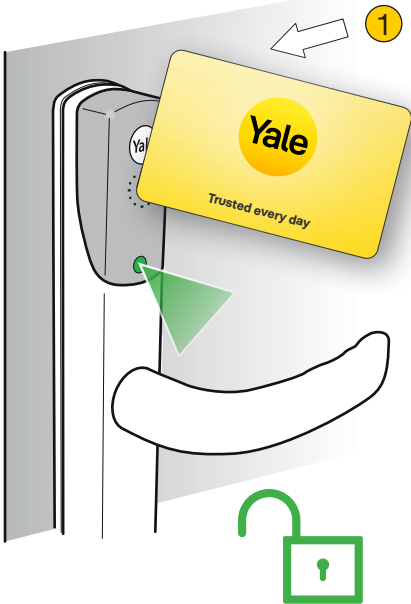


Please make sure your door remains open



# Unlocking with Key Card or Key Tag\*

\*This process should be done after module is added.



# Installation Checklist

**Before shutting your door in the frame, please test the following things...**

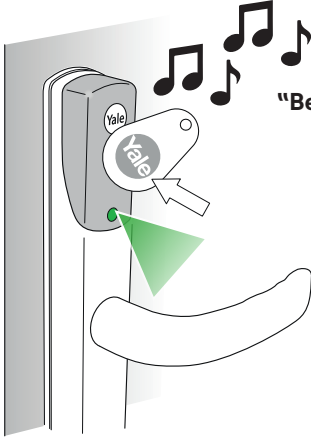
- |          |  |                          |
|----------|--|--------------------------|
| <b>1</b> | Download Yale Access app.  | <input type="checkbox"/> |
| <b>2</b> | Install the Yale Access Module and Connect Wi-Fi Bridge.   | <input type="checkbox"/> |
| <b>3</b> | Ensure you can see your Conexis® Smart Lock L2 in your Yale Access App. Test you can lock and unlock the door via the app.   | <input type="checkbox"/> |
| <b>4</b> | While the door is open, lift the lever handle to lock. Make sure the motor operates smoothly.                                | <input type="checkbox"/> |
| <b>5</b> | Test to make sure the lever handle cannot be pushed down.  | <input type="checkbox"/> |
| <b>6</b> | Push the thumbturn in on the inside handle and turn 180 degrees to unlock the door.  | <input type="checkbox"/> |
| <b>7</b> | Push the lever handle down and make sure it returns by itself.   | <input type="checkbox"/> |
| <b>8</b> | Lift the lever handle to lock again.   | <input type="checkbox"/> |
| <b>9</b> | Tap the paired card or tag on the outside handle under the Yale logo. Make sure it unlocks and the lever can be pushed down. | <input type="checkbox"/> |

# Battery Indicator

Low Battery

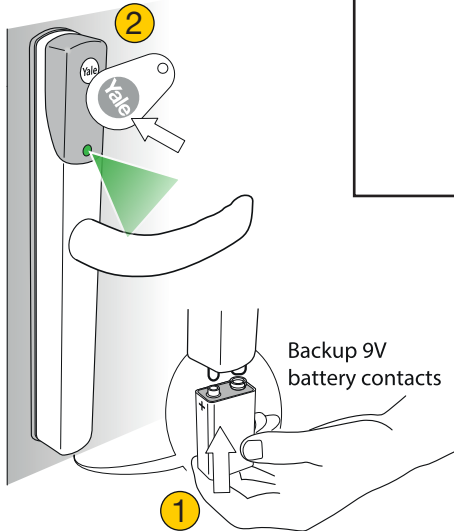


When the battery is low, you will receive a notification in the Yale Access app and via text message.

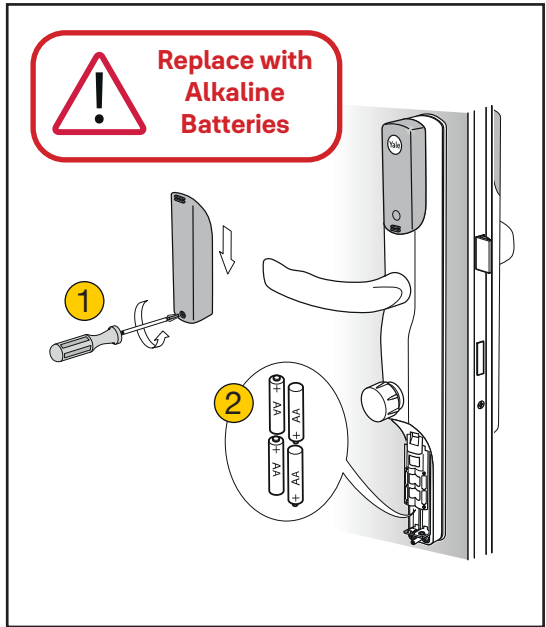


"Beep beep beep, beep beep beep, beep beep beep..."

No Battery



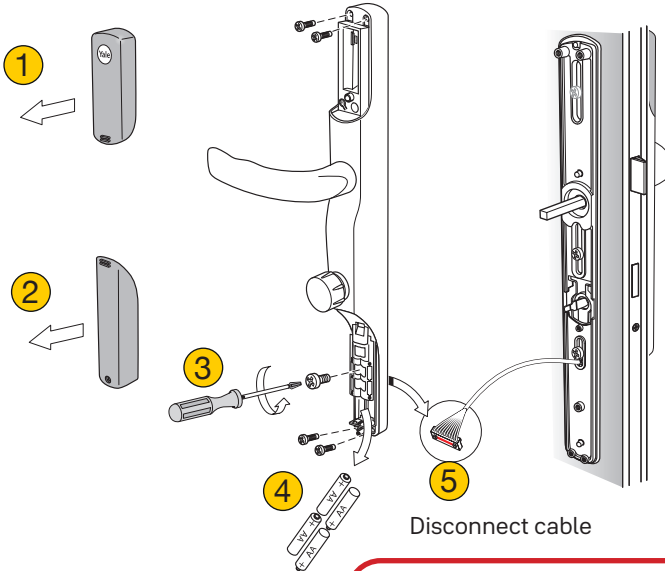
Backup 9V battery contacts



# Factory Reset

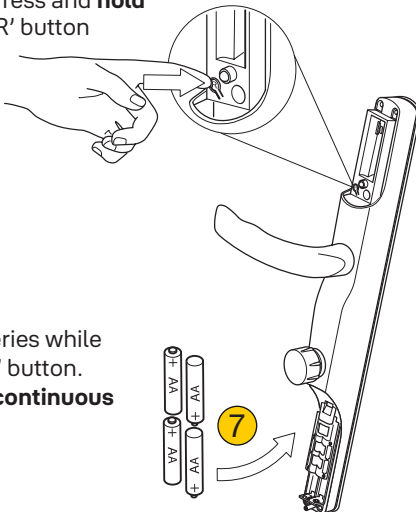


**Factory reset the lock in the Yale Access App before you do a factory reset of the escutcheons!**



**Do not pull cable.  
To prevent damage, pull  
at base of connector**

**6** Press and **hold**  
'R' button



Insert batteries while  
pressing 'R' button.  
**Hold until continuous  
"beeping"**

**8** Remove batteries  
and install following  
installation instructions





The 2 year guarantee for this product is active from the date of Purchase.

Issue No. 3A

Part of ASSA ABLOY

**Customer Services:**

Visit: [yalehome.co.uk/help-support](http://yalehome.co.uk/help-support)  
Yale UK, School Street, Willenhall, WV13 3PW

