

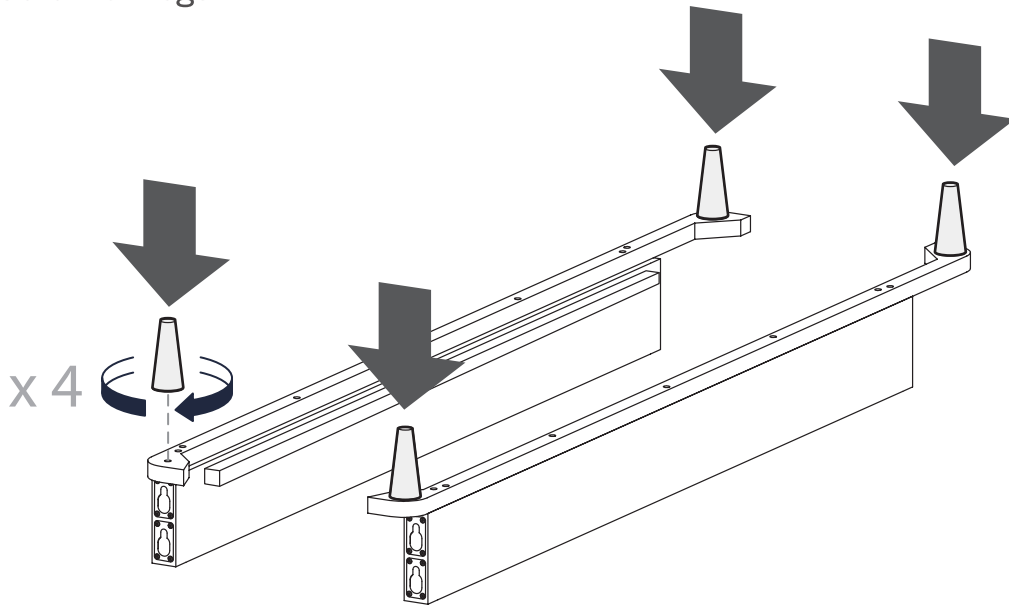
Bed 02



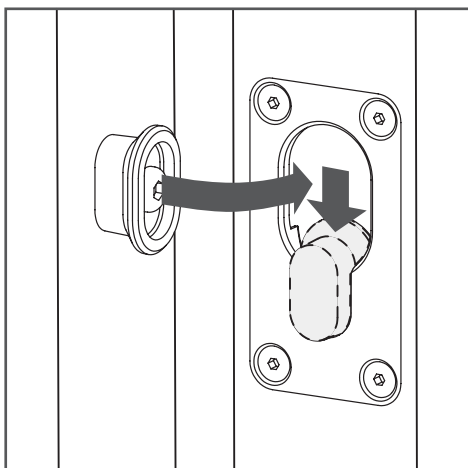
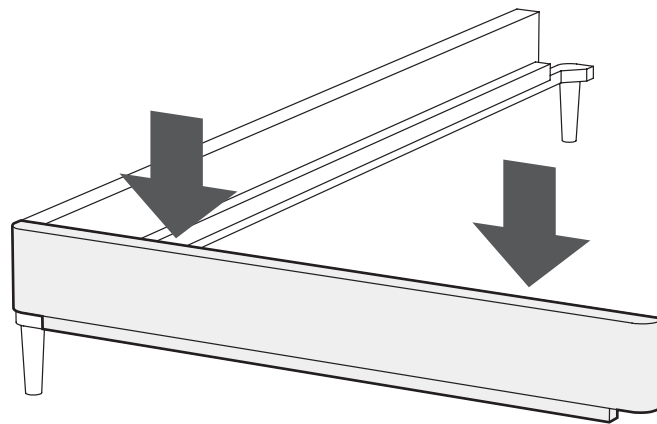
x2



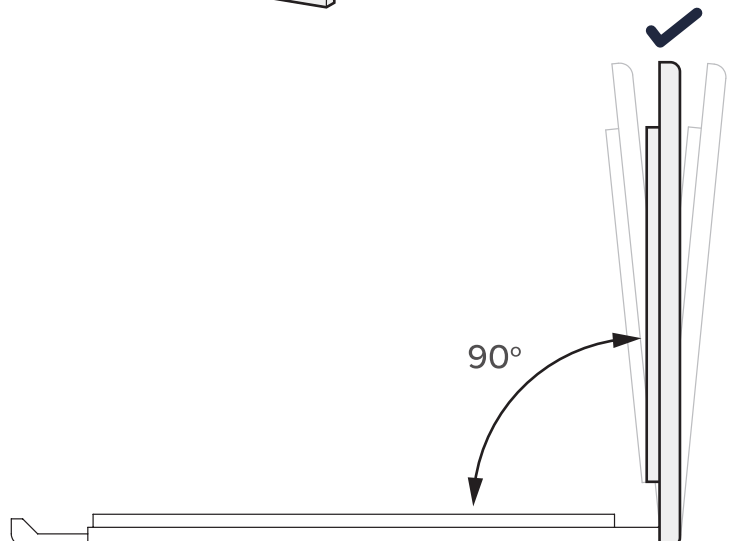
1 Screw on legs



2

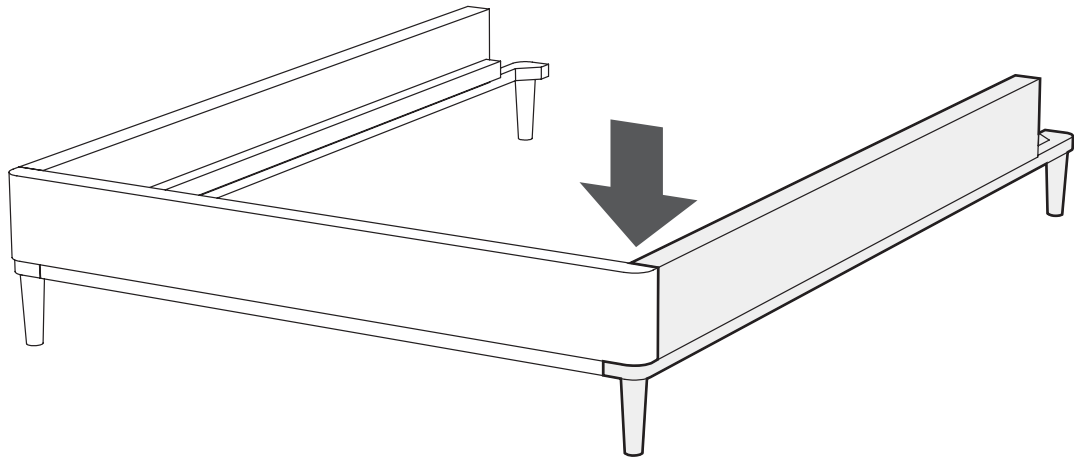


Swyft-Fix™ locking detail

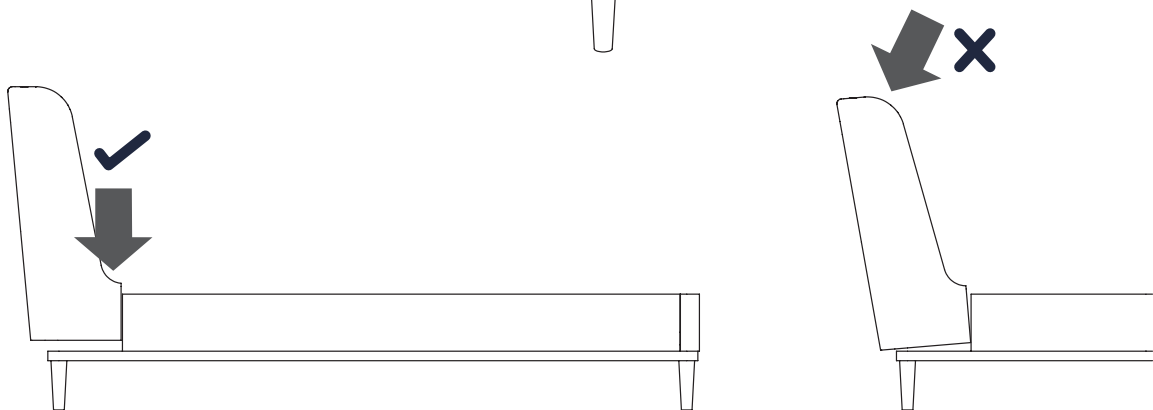
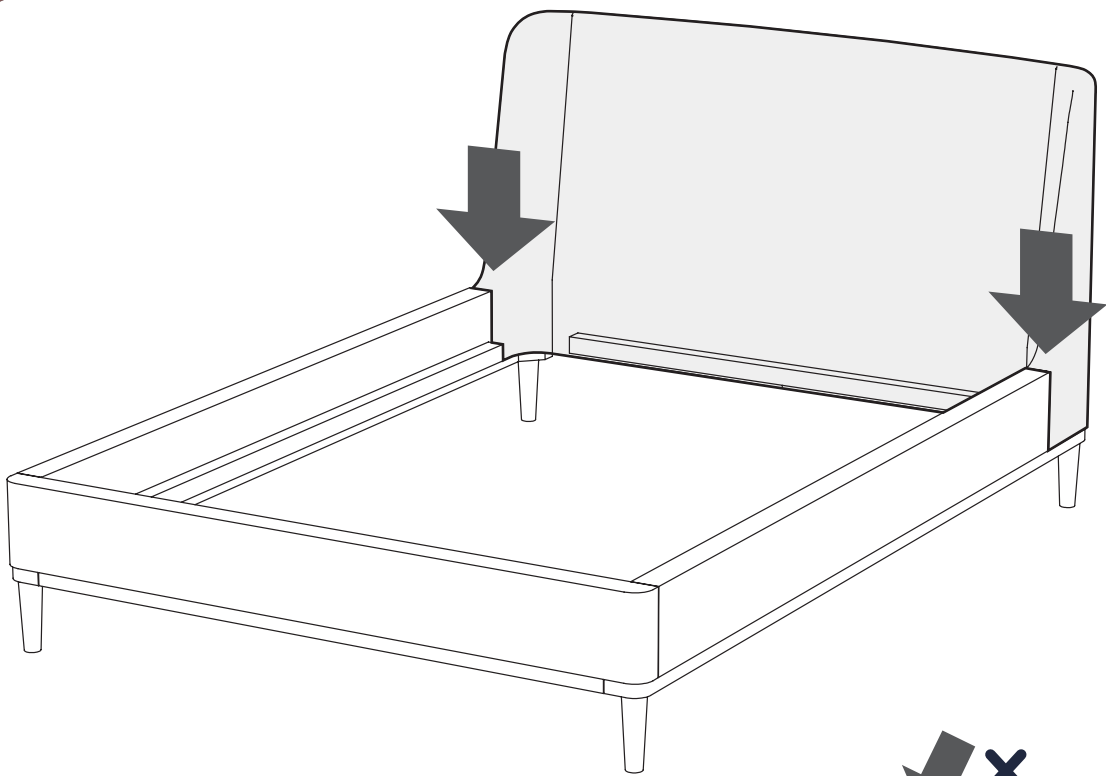


Maintain a 90 degree angle during assembly (bed top view)

3

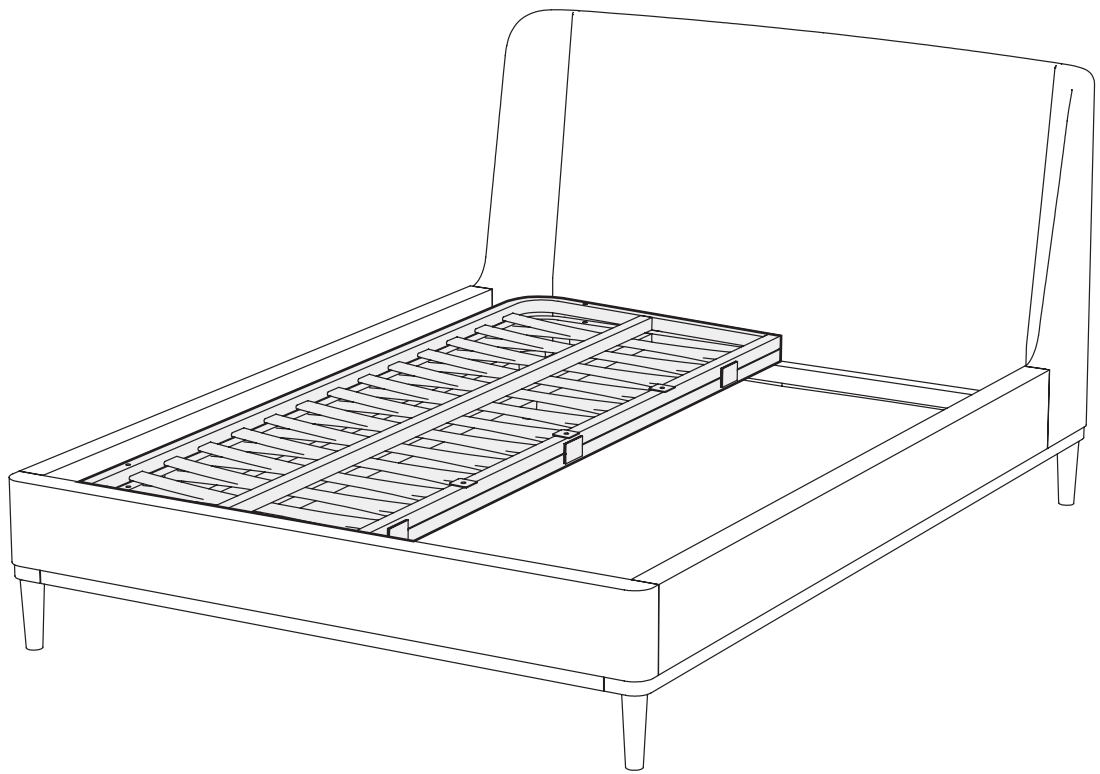


4

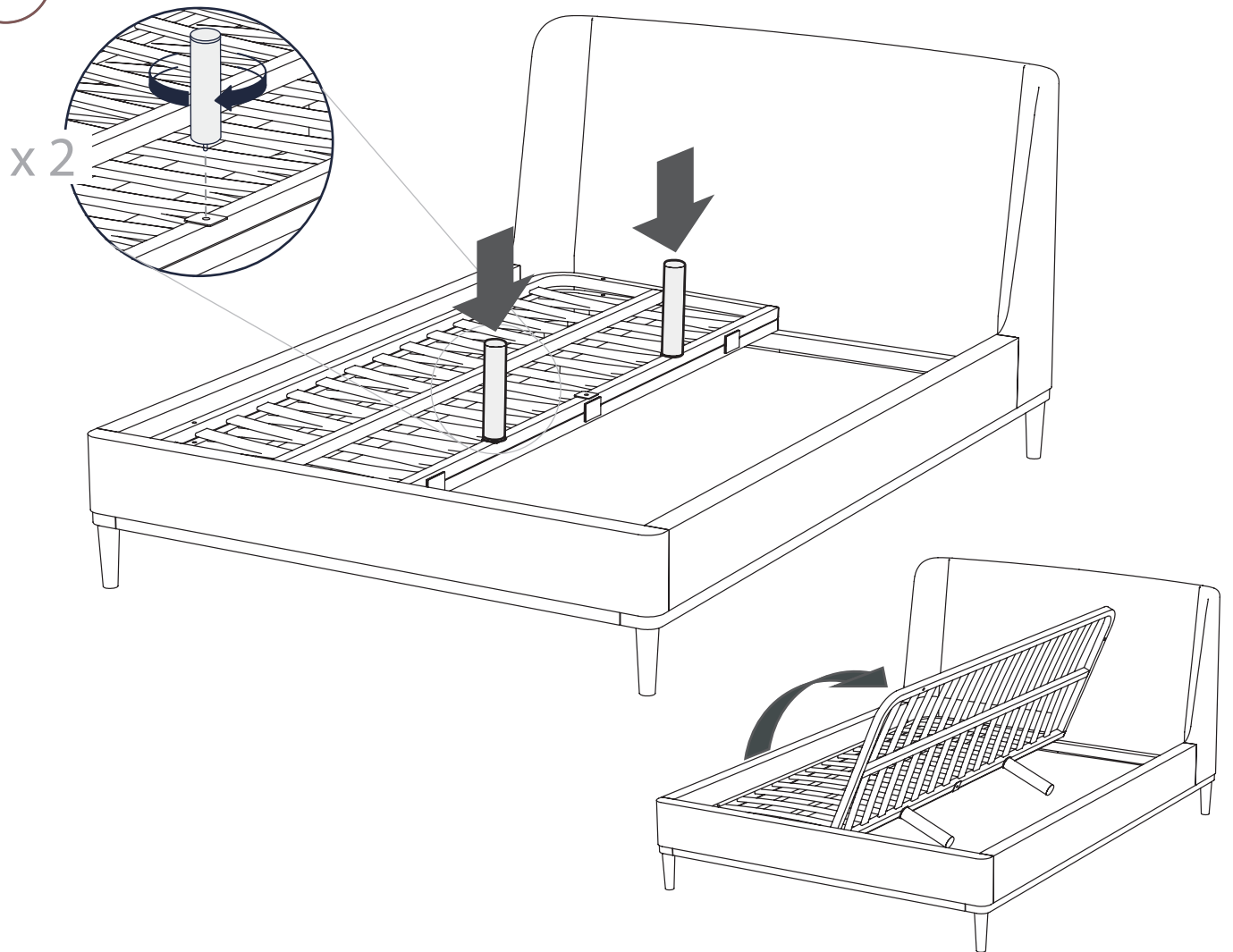


Keep the headboard level and push down above the locks

5

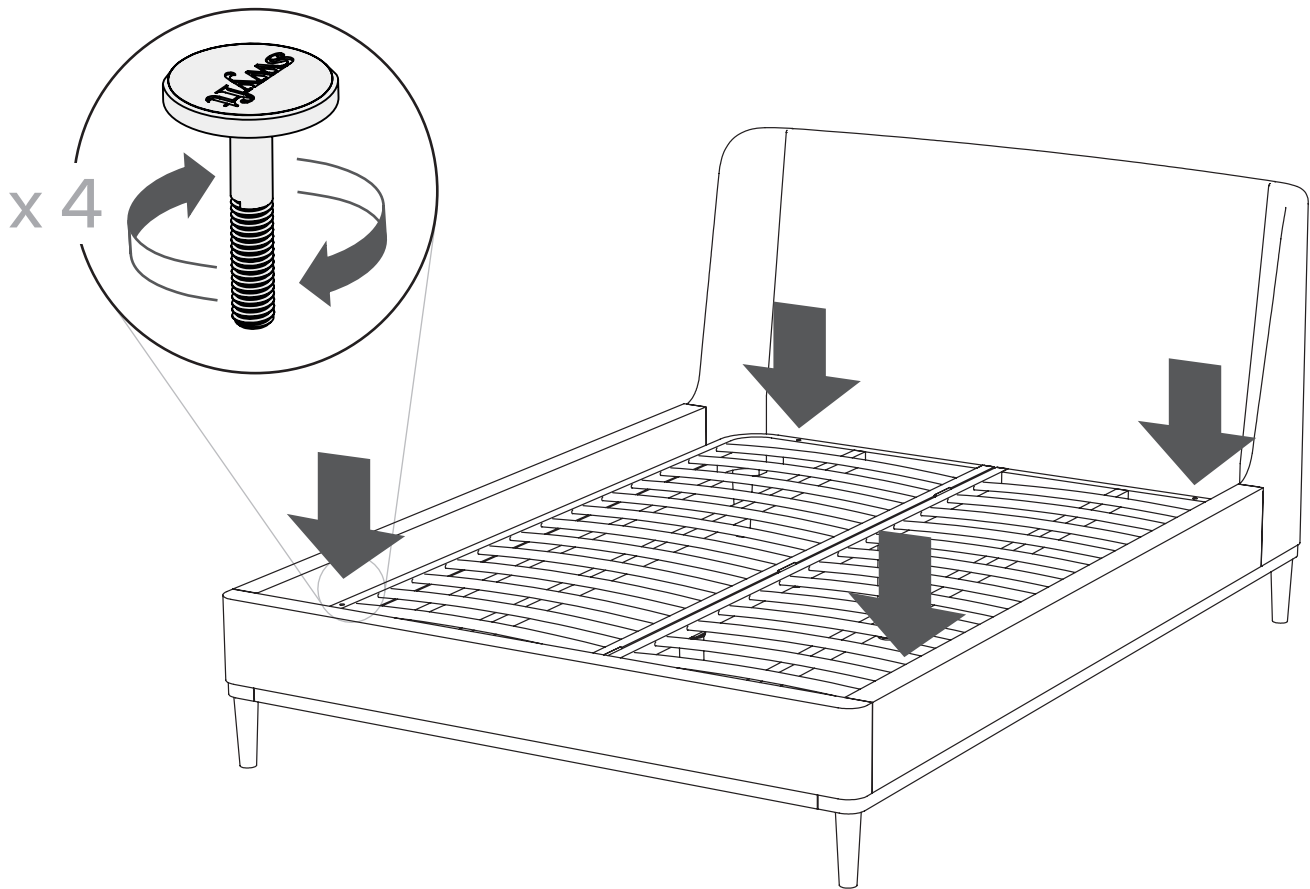


6



7

Swyft bolts are vital to the bed structure and strength.
They **MUST** be fitted before use



1. Lightly screw in ALL Swyft bolts to allow for hole and frame alignment.
2. Go around and tighten ALL Swyft bolts.

Scan here for
assembly video or visit:
swyfthome.com/pages/assembly



- > Ensure all locks are fully engaged so all sides are level and feet are on the floor.
- > Check locks intermittently to ensure tightness of assembly.
- > Make sure the 'Swyft bolts' are used and tight (STEP 7).
- > Check 'Swyft bolts' intermittently to ensure tightness of assembly.
- > 2 person lift once fully assembled with slats. Do not drag.

Fabric care

- > For stains like mud, ketchup, lipstick or silly putty. First, remove any stain residue with the edge of a flat utensil. For other stains like pen or coffee, just dampen the fabric and blot.
- > Apply water to the stain and blot using a white paper towel, do not rub. Repeat the process until you can't see the stain on the paper towel anymore.
- > Water & circles: Apply more water to the area and gently rub in circles with a microfibre cloth. Use a white bar of soap for stubborn stains. Repeat the process until the stain is completely removed.
- > Don't use a hairdryer or apply heat to the stain in any way. Simply air dry.
- > For more information, visit: swyfthome.com/pages/fabric-care

swyft