

**Includes Straight Bar, EZ-Curl Bar  
Weight Plates & Rack System**

MX80 Rapid Change Bar Systems feature our unique MX SELECT patented rack and pinion design; compact size, balanced, secure and accurate.

The MX80 Rapid Change Bar System includes a Straight Bar and EZ-Curl Bar, all included on it's sleek and compact rack. The MX80 twin bar rack [included] allows for rapid and easy changing between Straight and EZ-Curl Bars, both using the same nylon coated, machined steel weight plates.

MX80 replaces 13 x fixed Barbells and 13 x fixed EZ-Curl Bars with a compact, convenient and smart system. With either MX80 Bar cradled in the rack, you can simply select weight from 20 - 80lbs [9.1 - 36.3kg] at the turn of a dial.

You securely lock the selected weight into place by pressing the selector dial down into the housing. MX80 Rapid Change Bar System is safe, convenient, accurate, space-efficient and great looking.

The perfect addition to any home fitness area, it pairs with the MX55 Dumbbell System to deliver a total free-weight package.



DIAL NO.	1	2	3	4	5	6	7	8	9	10	11	12	13
WEIGHT	20 lbs	25 lbs	30 lbs	35 lbs	40 lbs	45 lbs	50 lbs	55 lbs	60 lbs	65 lbs	70 lbs	75 lbs	80 lbs
LEGEND	9.1 kgs	11.4 kgs	13.6 kgs	15.9 kgs	18.2 kgs	20.4 kgs	22.7 kgs	25.0 kgs	27.2 kgs	29.5 kgs	31.8 kgs	34.1 kgs	36.3 kgs

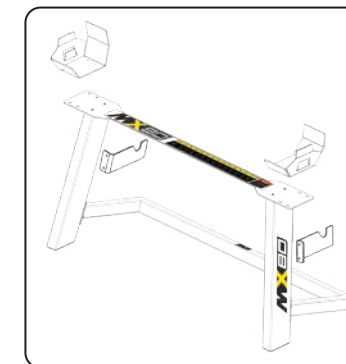
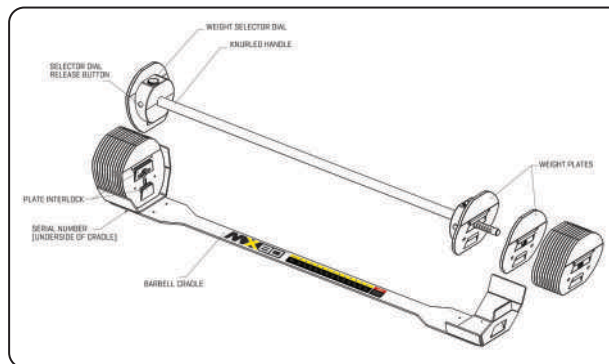


### SPECIFICATIONS & DIMENSIONS

<b>TWO BARBELL SYSTEM WEIGHT RANGE</b>	✦ 20-80 lbs in 5 lb increments	✦ 9.1-36.3 kg in 2.25 kg increments
<b>BARBELL LENGTH - MINIMUM WEIGHT</b>	✦ 47.4" - MIN 20 lbs	✦ 120.3 cm - MIN 9.1 kg
<b>BARBELL LENGTH - MAXIMUM WEIGHT</b>	✦ 57.8" - MAX 80 lbs	✦ 146.8 cm - MAX 36.3 kg
<b>HANDLE DIMENSIONS</b>	✦ Grip Length 43.5" 110.5 cm	✦ Grip Diameter 1.29" 3.27 cm
<b>FOOTPRINT TWO BARBELLS &amp; RACK</b>	✦ 51.77" L x 18.3" W x 28.66" H	✦ 131.5 cm L x 46.5 cm W x 72.8 cm H
<b>TOTAL WEIGHT - TWO BARBELLS &amp; RACK</b>	✦ 136.45 lbs	✦ 61.95 kg

### MATERIALS

<b>BARBELL BODY</b>	✦ Steel
<b>BAR GRIP</b>	✦ Knurled Steel
<b>WEIGHT PLATES</b>	✦ Steel Coated in Polyanide Nylon
<b>HANDSET MECHANISM</b>	✦ Steel and ABS
<b>WEIGHT RACK &amp; CRADLE</b>	✦ Powder Coated Steel



### SHIPPED 2 BOXES PER SYSTEM

MODEL	Box per Unit	Length mm	Width mm	Height mm	Nett Kg	Gross Kg	Cubic Meters	Length inches	Width inches	Height inches	Nett Lb	Gross Lb	Cubic Foot
MX80 WEIGHT PLATES	BOX 1	420	320	300	31	32.5	0.04	16.5	12.6	11.8	68.2	71.65	1.42
MX80 BARS & RACK	BOX 2	1500	510	310	30.5	34	0.24	59.1	20.1	12.2	67.1	74.96	8.47



**RAPID CHANGE BARBELL SYSTEM**

