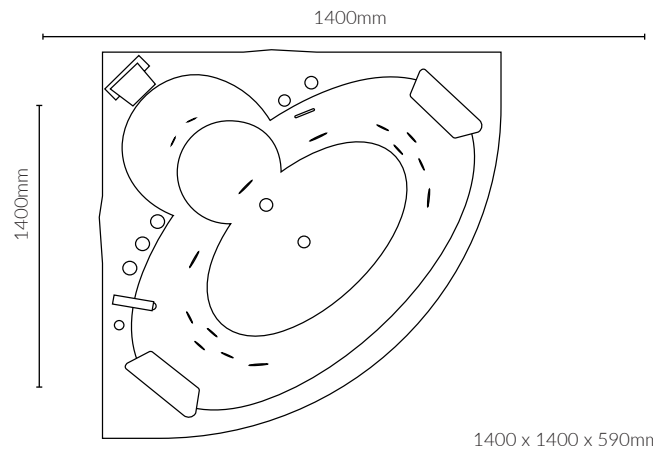


The KF - 621 is constructed from the finest acrylic. Featuring state-of-the-art jacuzzi jets and stunning back massage jets, the 621 will surely take your relaxation to the next level.

The 1.5HP water pump will ensure that your water pressure is always at an optimum rate. The hydrotherapeutic jacuzzi jets and the back massage jets featured in the 621 are beneficial for both your mental and physical health.



1400 x 1400 x 590mm

Specification

Dimensions	1400 x 1400 x 590mm 1520 x 1520 x 590mm	<ul style="list-style-type: none"> ✓ 1.5HP LX Pump ✓ Faucet set including shower head ✓ 2pcs pillow ✓ 4 x Jacuzzi Jets ✓ 8 x back massage jets ✓ LED Lighting ✓ Waterfall Feature ✓ Acrylic massage bath tub ✓ Round push button & air control
Seats	1	
Delivery	Kerbside Pallet Delivery	
Material	American Acrylic	
Weight	86 kg	
Electrical Supply	13Amp	