

Technical Data Sheet

Shower Systems

TAVISTOCK

No.	Description	Code	Fixings Included
1	Axiom Single Function System with Shower Head	SAX2377	YES

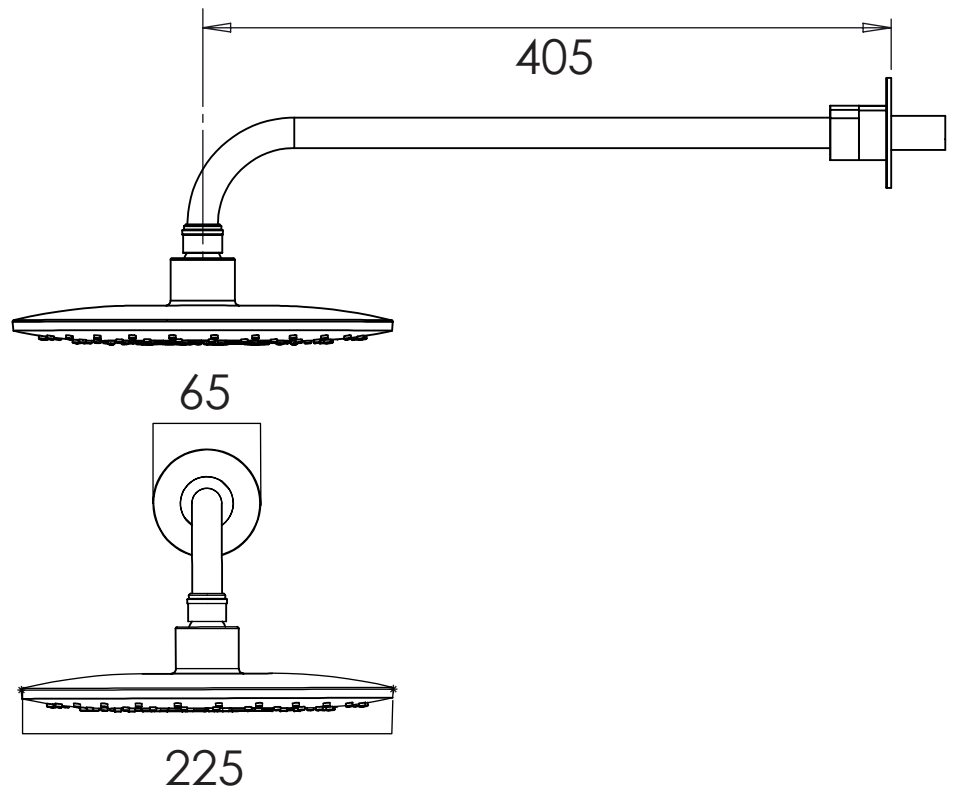
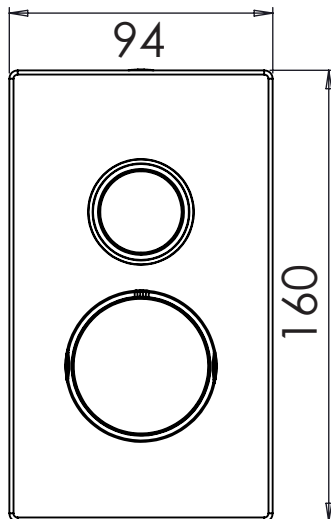


Inlet Pressure	Flow Rate (l/min)
0.5bar	7.2
1bar	10.6
2bar	14.5
3bar	17.6
4bar	20.2
5bar	22.1

Flow from valve may vary depending on accessories and domestic supply.

Dimensions - Overview

Diagrams not to scale. All dimensions in mm (tolerance of +/-5mm)



FAQs

What is the minimum pressure for the valve? 1.0bar

What is the valve connection size? 1/2" suitable for 15mm pipework