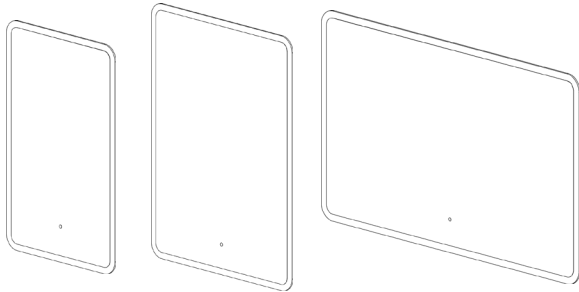


Technical Data Sheet

Elysium



Box Contents:

Elysium Mirror | 2x wall plugs | 2x screws | Instructions booklet

Materials

Frame Material: Extruded Plastic

Glass: 5mm PVC Backed

FAQ's:	Units	CT1210	CT1211	CT1212
Can the mirror be hung landscape?	-	Yes	Yes	Yes
What is the thickness of the mirror glass?	mm	5		
Is the mirror IP44 rated?	-	Yes – Suitable for use in bathroom zone 2		
What size fuse should I use?	-	Seek the advice of an electrician		
What is the total power consumption?	W	29	33	42
Does the mirror have an energy rating?	-	Yes – It has an energy rating of: A		
What is the colour of the light and the Kelvin rating?	K	6000		
What is the Lumen of the LEDs?*	Lms	2064	2448	2832
What is the wattage of the lights?	W	15	18	21
Where is the Touch sensor/rocker switch located?	-	Bottom Right		
Can the LED lighting be replaced?	-	No**		
Can the Touch sensor be replaced?	-	Yes		
What is the output of the demister pad?	W	14	14	20
What are the dimensions of the demister pad? (L x W)	mm	270 x 290	270 x 290	250 x 450
How do I turn on the demister pad?	-	The demister pad will turn on when the LEDs are turned on.		
Are illuminated mirrors supplied with mains cable?	-	All illuminated mirrors are supplied with a removeable 500mm mains cable. There is ample storage for excess cable in the back of the unit.		

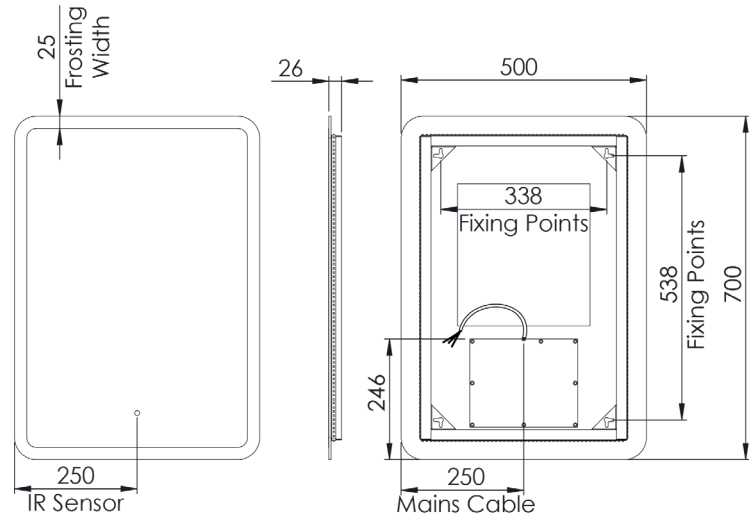
Dimensions are subject to change; customers are advised to measure actual product before commencing installation.

Fixing point dimensions are for guidance only/the positions of wall fixing must be checked when product is received.

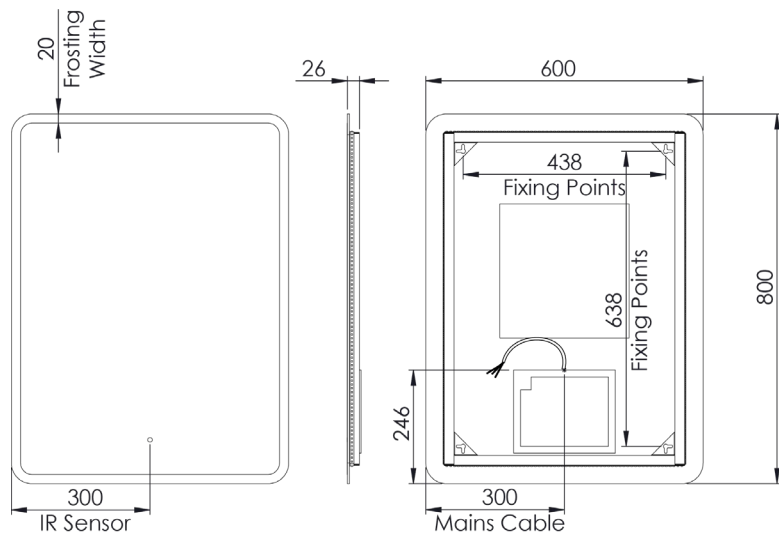
*The Lumen represents the output of the LED. This may vary depending on the diffuser material i.e., glass or acrylic.

**The LEDs are not replaceable to maintain the integrity of the product's resistance to moisture ingress.

CT1210



CT1211



CT1212

