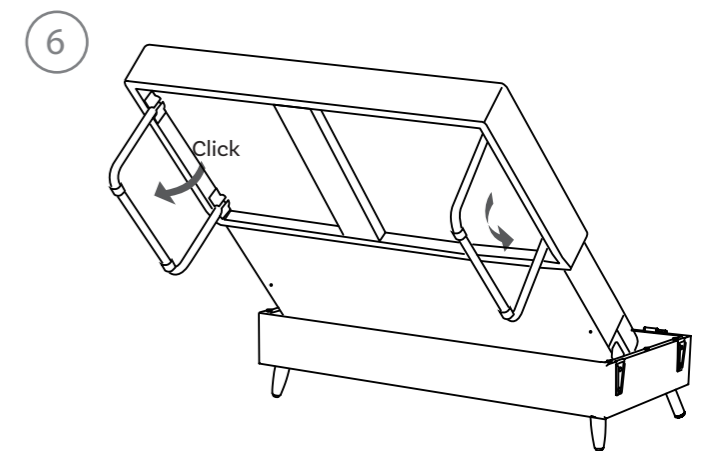
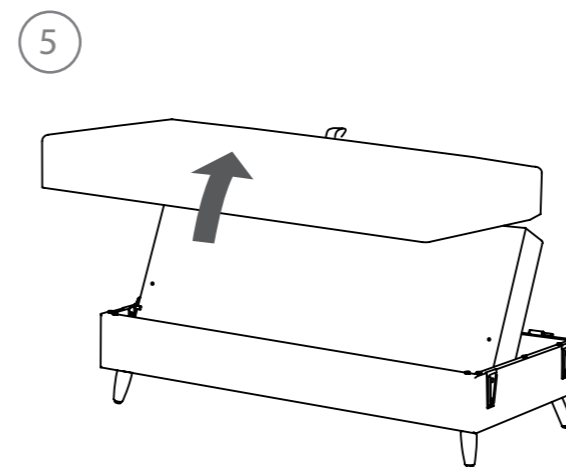
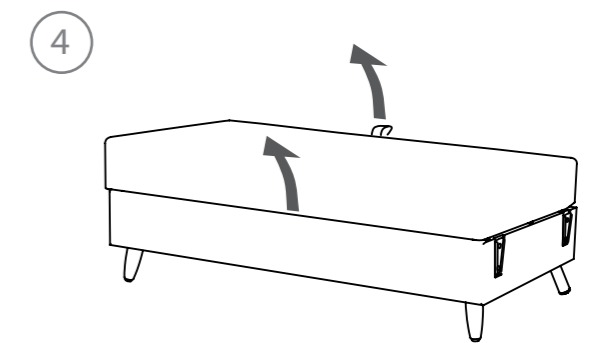
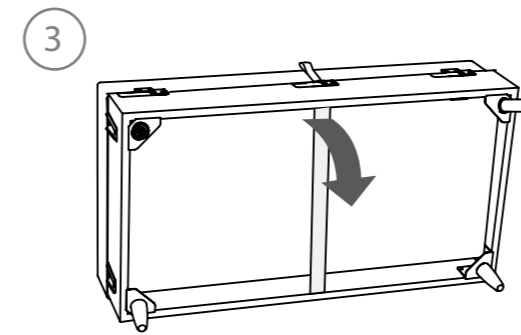
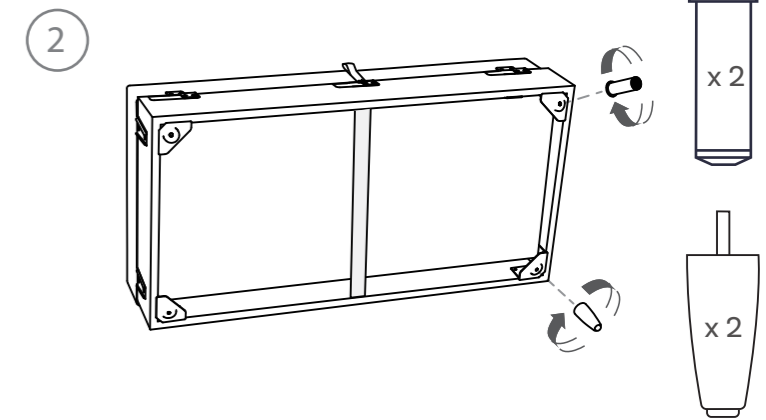
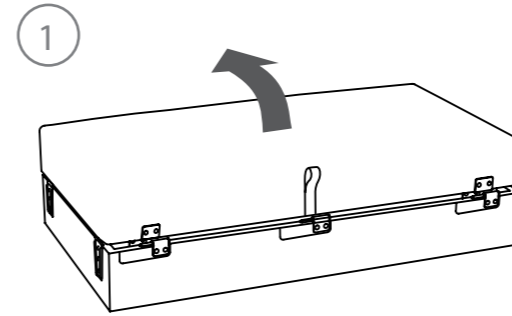
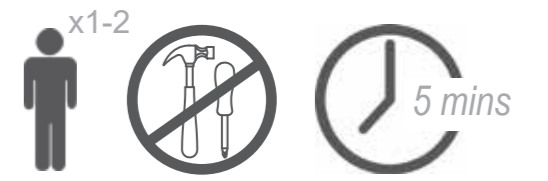
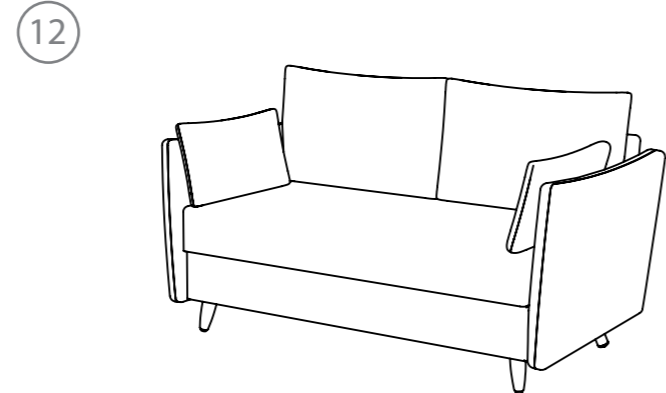
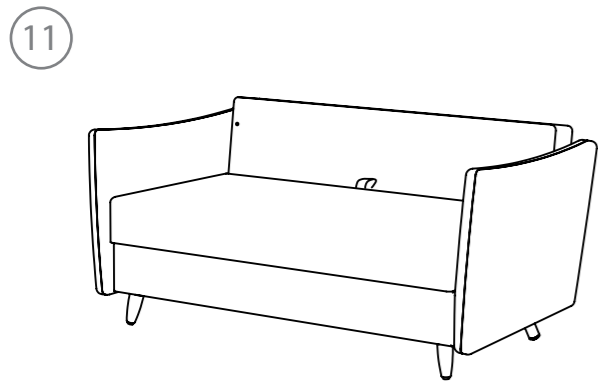
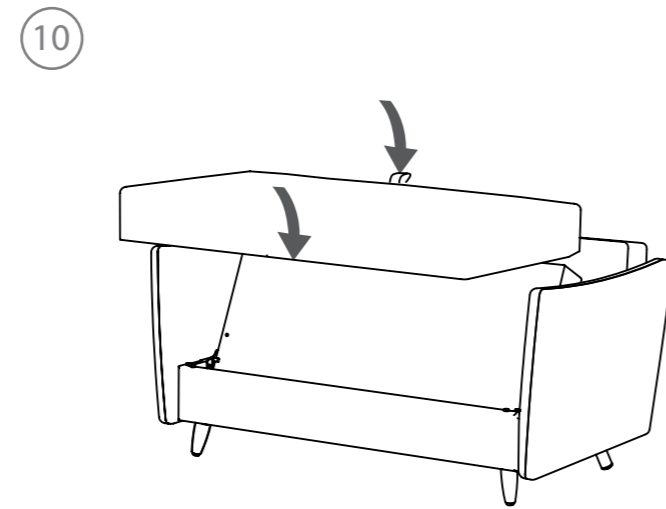
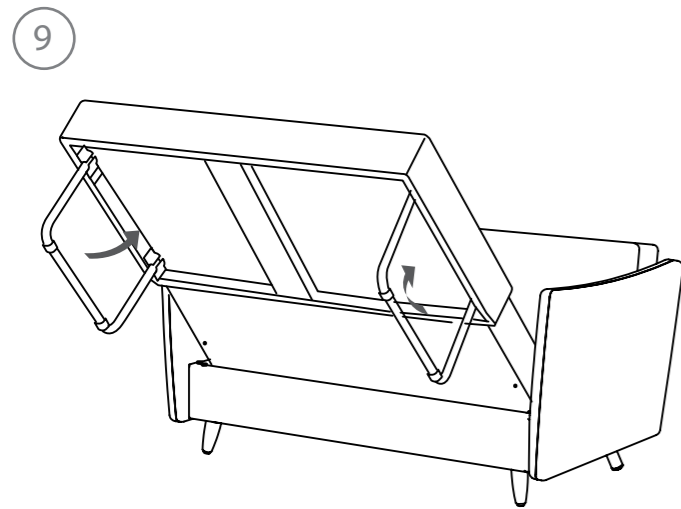
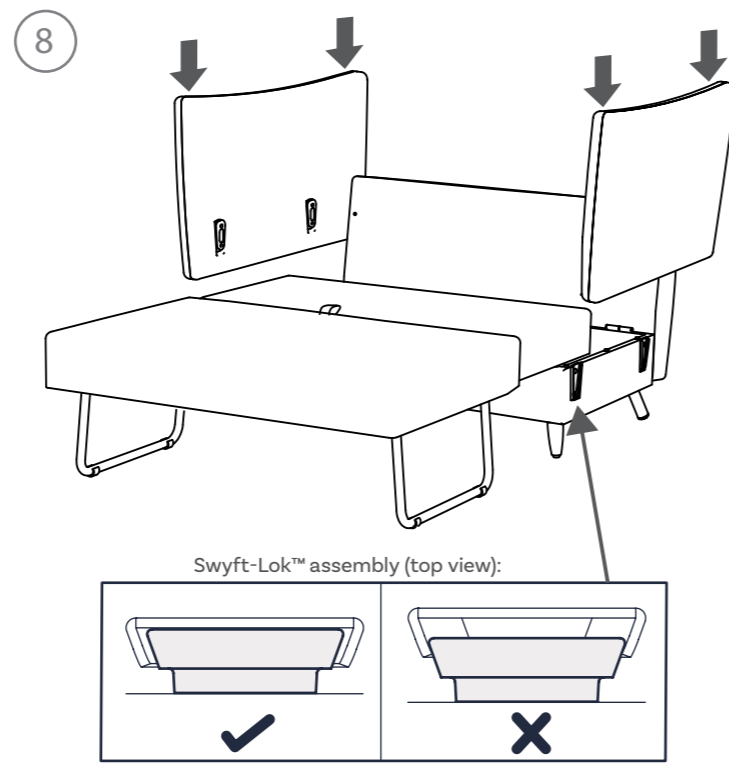
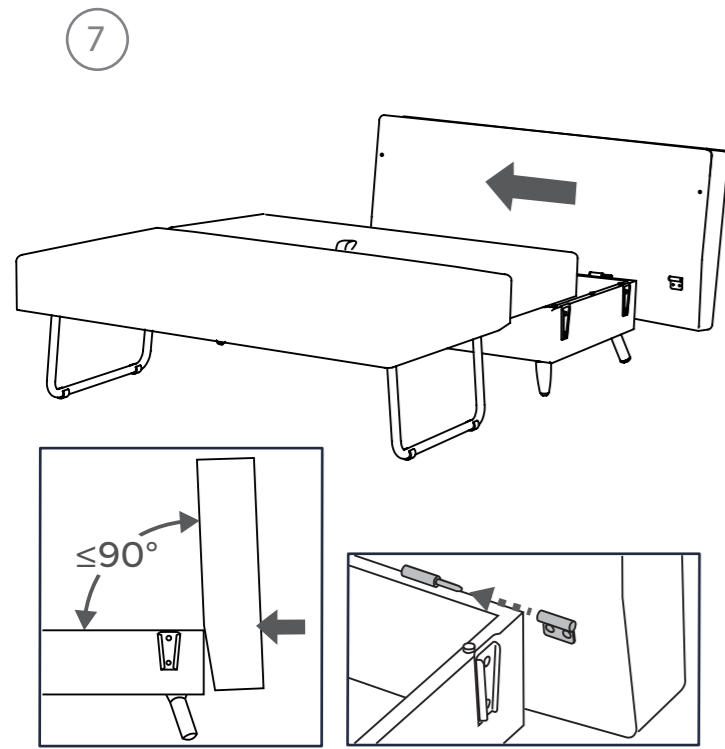
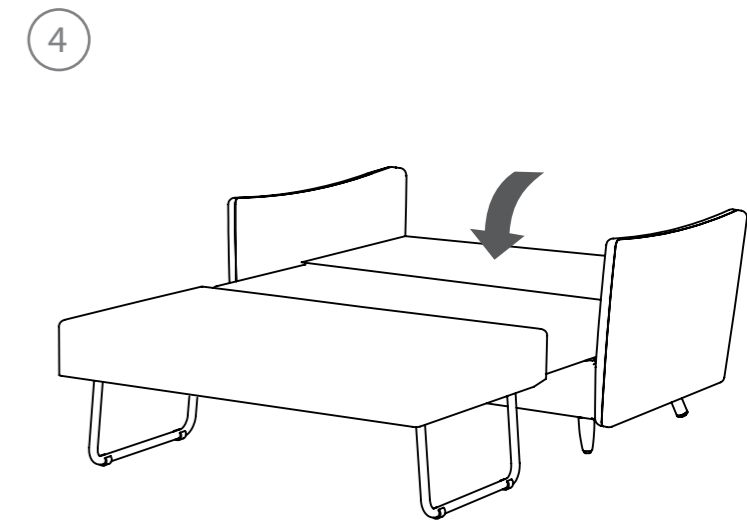
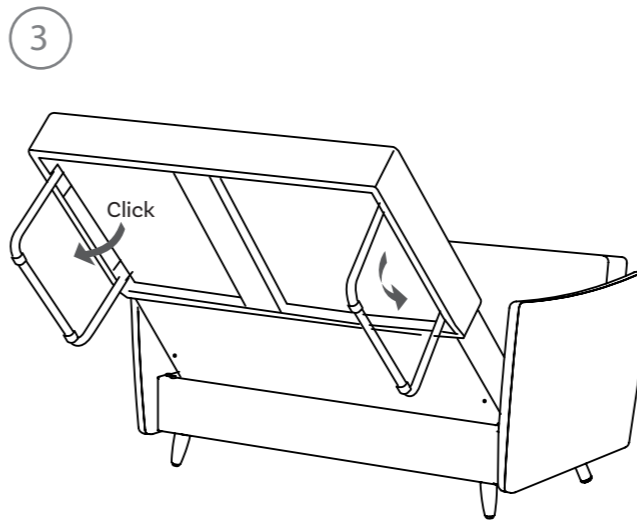
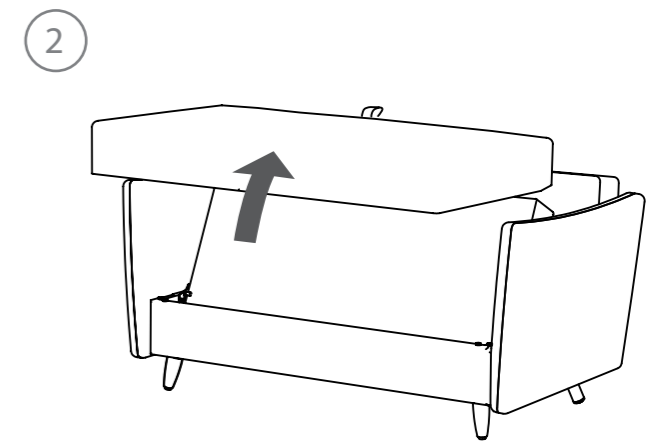
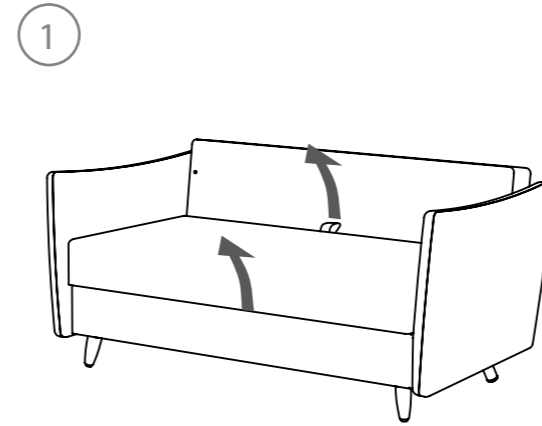


# Model 08





### Turning the Model 08 into a bed



Scan here for  
assembly video or visit:  
[swyfthome.com/pages/assembly](http://swyfthome.com/pages/assembly)



- > Ensure legs are tightly screwed into position.
- > Check legs intermittently to ensure a consistently tight fit.
- > Ensure Swyft-Loks are engaged tightly.
- > Push down firmly on top of arms (above where Swyft-Loks are located) to ensure a tight connection. Repeat intermittently to ensure a consistently tight fit.
- > Once assembled, do not lift from arms or back. Please dismantle prior to lifting.
- > For advice regarding fabric care please visit: [swyfthome.com/pages/assembly](http://swyfthome.com/pages/assembly)