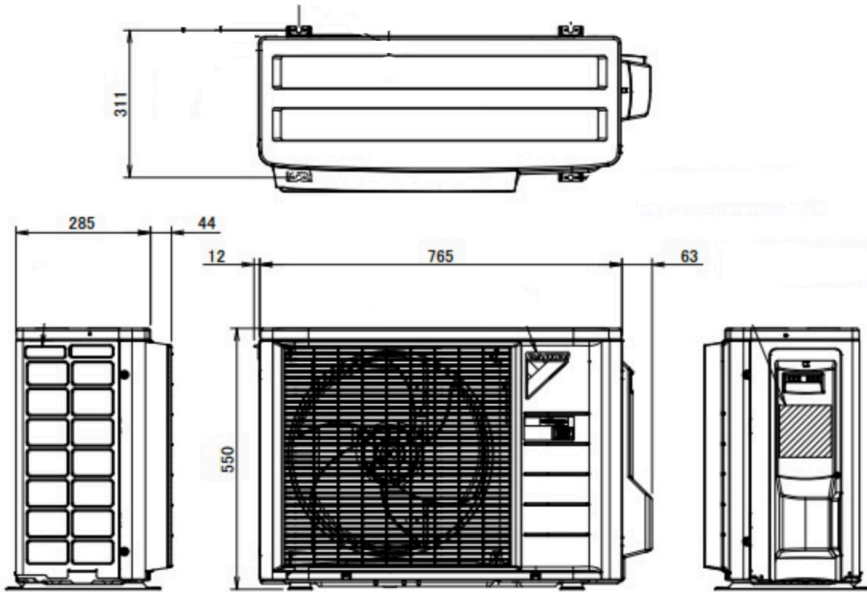


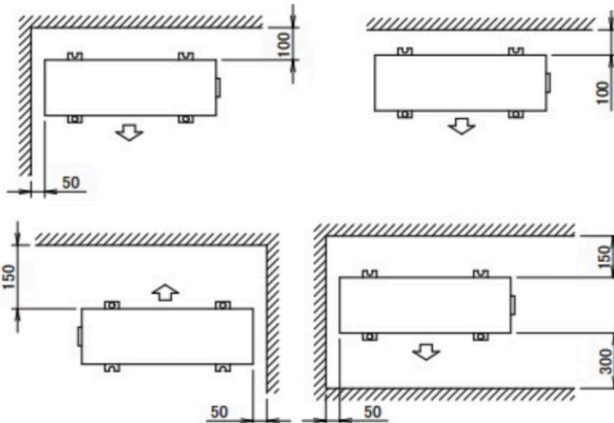
## Dimensions *Outdoor Unit*



Outdoor unit size increases for the 4.2kW to 870mm wide, 734mm high & 373mm in depth

### Minimum space for air passage

Wall height on air outlet side < 1200 mm



Outdoor units can either be sited on rubber blocks at ground level or on brackets at a maximum height of 3 metres.