

**Series 2, Built-in fridge-freezer with freezer at bottom, 177.2 x 54.1 cm, sliding hinge
KIN86NSE0G**



Included accessories

1 x ice cube tray

Optional accessories

KSZB6R00 :

KSZGGM00 :

The spacious built-in fridge-freezer combination with No Frost provides optimal food storage and ice formation is no longer an issue.

- **MultiBox XXL:** extra-large drawer for your fruit and vegetables.
- **No Frost:** never defrost again, thanks to perfect protection from ice formation - that saves time and effort.
- **Super Freeze function:** prevents the food in your freezer from defrosting.
- **Safety Glass Shelves:** safely store food in your fridge with stable, shatterproof glass shelves.

Technical Data

Energy Efficiency Class: E

Average annual energy consumption in kilowatt hour per year (kWh/a): 234 kWh/a

Sum of volume of frozen compartments: 76 l

Sum of volume of chill compartments: 184 l

Airborne acoustical noise emissions : 35 dB(A) re 1pW

Airborne acoustical noise emission class: B

Built-in / Free-standing: Built-in

Number of compressors: 1

Number of independent cooling systems: 1

Width of the appliance: 541 mm

Height: 1772 mm

Depth: 548 mm

Net weight: 51.7 kg

Required niche size for installation (HxWxD): 1775x560x550 mm

Door panel options: Not possible

Door hinge: Right reversible

Number of Adjustable Shelves in fridge compartment: 3

Shelves for Bottles: No

Frost free system: Freezer

Interior ventilator: No

Reversible Door Hinge: Yes

Length electrical supply cord: 230 cm

Multi-Flow Air Tower: No

Fast cooling switch: Yes

Fast freezing function: Yes

Temperature Controlled Drawer: No

Humidity Control Drawer: No

Number of Door Bins - Refrigerator: 3

Door bin adjustability - Refrigerator: Yes

Tilt-out door bins in fridge: No

Gallon Storage: Yes

Number of Gallon storage: 1

Motorized Shelf: No

Material of the shelves: Safety glass

Door opened indicator freezer: No

Automatic motor-driven ice-maker: No

Fuse protection: 10 A

Voltage: 220-240 V

Frequency: 50 Hz

Storage Period in Event of Power Failure (h): 10 h

Door panel options: Not possible

Energy Star Qualified: No

Plug type: GB plug

Required cutout/niche size for installation (in): x

Dimensions of the packed product: 72.44 x 24.01 x 25.19

Net weight: 114.000 lbs

Gross weight: 124.000 lbs



Series 2, Built-in fridge-freezer with freezer at bottom, 177.2 x 54.1 cm, sliding hinge KIN86NSE0G

The spacious built-in fridge-freezer combination with No Frost provides optimal food storage and ice formation is no longer an issue.

Performance and Consumption

- EU19_EEK_D: E
- Total Volume : 260 l
- Annual Energy Consumption: 234 kWh/a
- EU19_Fast freezer facility_D
- Noise Level : 35 dB , EU19_Noise emission class_D: B

Functions

- Bright interior LED fridge light in fridge section

Design features

- LED electronic control
- Super Cooling: automatic deactivation
- Automatic defrost fridge
- Optical and accoustical

Design features

- 4 safety glass shelves of which 3 are height adjustable
- Door shelves in fridge door: 1 large and 2 small.

Freshness System

- 1 MultiBox - Transparent drawer with a rippled bottom, ideal for storing fruits and vegetables.

Food freshness system

- Net Freezer Volume : 76 l
- Freezing capacity 24h : 4 kg
- Temperature rise time : EU19_Temperature rise time_D: 10 H
- NO_FROST_NEU_BL, never have to defrost ever again
- SuperFreeze function with automatic deactivation
- 3 freezer drawers

Dimension and installation

- Dimensions: 177.2 cm H x 54.1 cm W x 54.8 cm D
- Niche Dimensions: 177.5 cm H x 56 cm W x 55 cm D

Key features - Fridge section

- Right hinged door, door reversible
- 220 - 240 V
- Length of power cord:230 cm
- Climate Class: SN-ST

Country Specific Options

- Based on the results of the standard 24-hour test. Actual consumption depends on usage/position of the appliance.

Key features - Freezer section

- 1 x ice cube tray

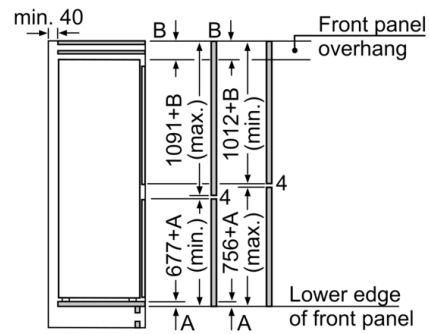
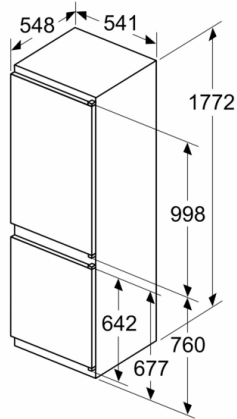
Additional features

Design features

Dimension and installation

Series 2, Built-in fridge-freezer with freezer at bottom, 177.2 x 54.1 cm, sliding hinge KIN86NSE0G

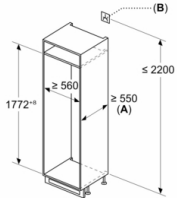
measurements in mm



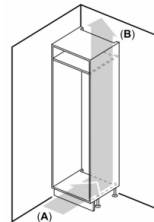
The specified unit door dimensions are valid for a door gap of 4 mm.

measurements in mm

Measurements in mm



A: ≥ 560 mm (recommended)
B: Socket



A: Air inlet ≥ 200 cm²; Ventilation options
B: Air outlet ≥ 200 cm²; Ventilation options

