

**Series 4, Free-standing fridge-freezer
with freezer at bottom, 203 x 60 cm,
Stainless steel look
KGN392LAFG**



Included accessories

3 x egg tray
1 x ice cube tray

**No Frost bottomfreezer : no need to
defrost your freezer**

- **Energy efficiency class A:** reduce energy consumption while enjoying optimal cooling performance.
- **VitaFresh XXL <0°C>:** keeps food fresh for longer in extra-large climate-controlled fridge drawers.
- **No Frost:** never defrost again, thanks to perfect protection from ice formation - that saves time and effort.
- **Perfect Fit:** place your fridge right next to walls or other appliances to save space.
- **LED lighting:** all your items in perfect view.

Technical Data

Energy Efficiency Class: A
Average annual energy consumption in kilowatt hour per year (kWh/a): 104 kWh/a
Sum of volume of frozen compartments: 103 l
Sum of volume of chill compartments: 260 l
Airborne acoustical noise emissions : 29 dB(A) re 1pW
Airborne acoustical noise emission class: A
Built-in / Free-standing: Free-standing
Number of compressors: 1
Number of independent cooling systems: 2
Width of the appliance: 600 mm
Height: 2030 mm
Depth: 665 mm
Net weight: 100.8 kg
Door panel options: Not possible
Door hinge: Right reversible
Number of Adjustable Shelves in fridge compartment: 3
Shelves for Bottles: Yes
Frost free system: Fridge and freezer
Interior ventilator: No
Reversible Door Hinge: Yes
Length electrical supply cord: 210.0 cm
Noise level: 29 dB(A) re 1pW
Multi-Flow Air Tower: Yes
Fast cooling switch: Yes
Fast freezing function: Yes
Temperature Controlled Drawer: No
Humidity Control Drawer: No
Number of Door Bins - Refrigerator: 4
Door bin adjustability - Refrigerator: Yes
Tilt-out door bins in fridge: No
Gallon Storage: Yes
Number of Gallon storage: 1
Motorized Shelf: No
Material of the shelves: Safety glass
Door opened indicator freezer: No
Automatic motor-driven ice-maker: No
Fuse protection: 10 A
Voltage: 220-240 V
Frequency: 50 Hz
Storage Period in Event of Power Failure (h): 21 h
Door panel options: Not possible
Noise level: 29 dB(A) re 1pW
Energy Star Qualified: No
Plug type: GB plug
Required cutout/niche size for installation (in): x
Dimensions of the packed product: 82.48 x 25.98 x 30.70
Net weight: 222.000 lbs
Gross weight: 236.000 lbs



Series 4, Free-standing fridge-freezer with freezer at bottom, 203 x 60 cm, Stainless steel look KGN392LAFG

No Frost bottomfreezer : no need to defrost your freezer

- Twin No Frost (RC + FC), Fridge freezer
- Standard door Stainless steel look

Performance and Consumption

- EU19_EEK_D: A
- Total Volume : 363 l
- Annual Energy Consumption: 104 kWh/a
- EU19_Fast freezer facility_D
- Noise Level : 29 dB , EU19_Noise emission class_D: A

Functions

- Stainless steel look doors and Pearl grey (VZF 07127) side panels
- White glossy back wall
- Integrated vertical handle
- Bright interior LED fridge light in fridge section

Design features

- NO_FROST_NEU_BL, never have to defrost ever again
- Separate, electronic temperature control with LED display
- Two separate cooling circuits allow independent temperature control and prevents the transference of humidity between the fridge and freezer cavity
- Super Cooling: automatic deactivation
- SuperFreeze function with automatic deactivation
- Optical and acoustical
- Freezer malfunction warning signal: optical and acoustical warning system

Design features

- Net Fridge Volume : 260 l
- MultiAirflow system - improves circulation of air around the fridge
- 5 safety glass shelves of which 3 are height adjustable
- Metal bottle rack
- Door shelves in fridge door: 1 large and 3 small.

Freshness System

- 1 VitaFresh drawer - Fish and meat stay fresh for longer
- 1 VitaFresh drawer with humidity control - Fruits and vegetables retain vitamins and stay fresh for longer

Food freshness system

- Net Freezer Volume : 103 l
- Freezing capacity 24h : 11 kg
- Temperature rise time : EU19_Temperature rise time_D: 21 H
- 3 freezer drawers

Dimension and installation

- Dimensions: 203 cm H x 60 cm W x 66.5 cm D

Key features - Fridge section

- Right hinged door, door reversible
- Height adjustable front feet
- 220 - 240 V
- Climate Class: SN-T
- Length of power cord:210 cm

Key features - Freezer section

- 3 x egg tray, 1 x ice cube tray

Country Specific Options

- Based on the results of the standard 24-hour test. Actual consumption depends on usage/position of the appliance.

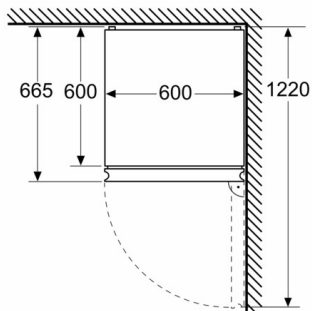
Design features

Dimension and installation

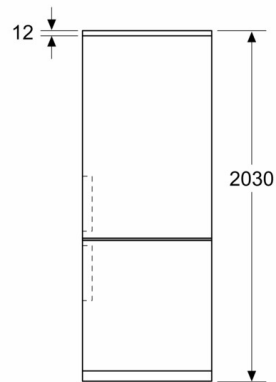
Additional features

**Series 4, Free-standing fridge-freezer with
freezer at bottom, 203 x 60 cm, Stainless
steel look
KGN392LAFG**

Measurements in mm



Measurements in mm



Measurements in mm

