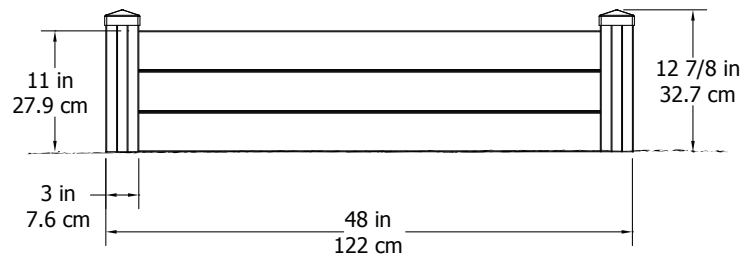
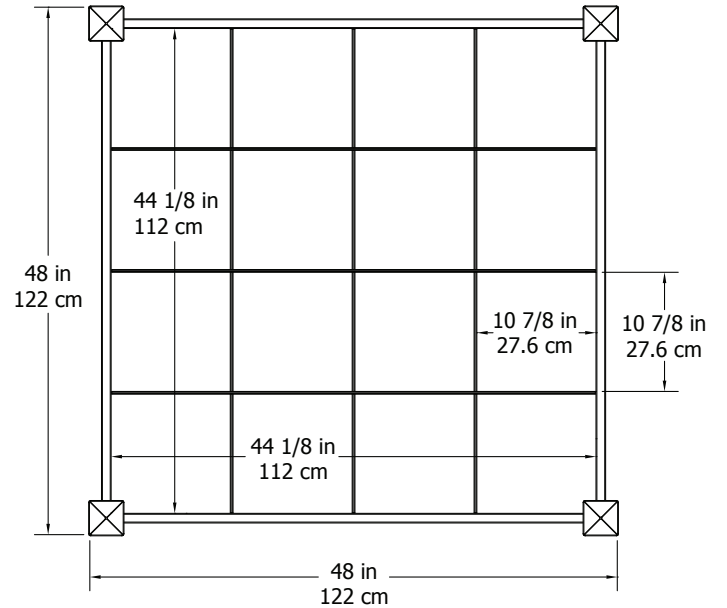
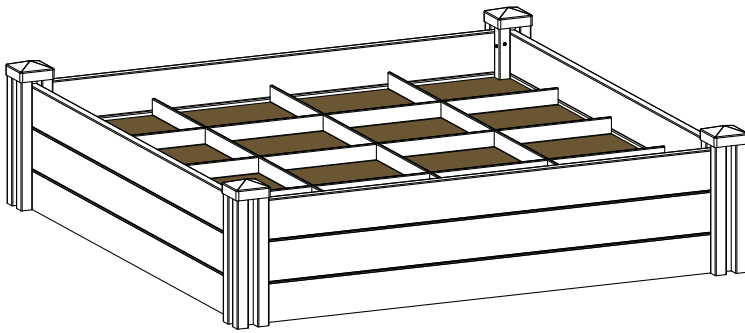


ASSEMBLY INSTRUCTIONS

4x4 White Garden Bed with GroGrid



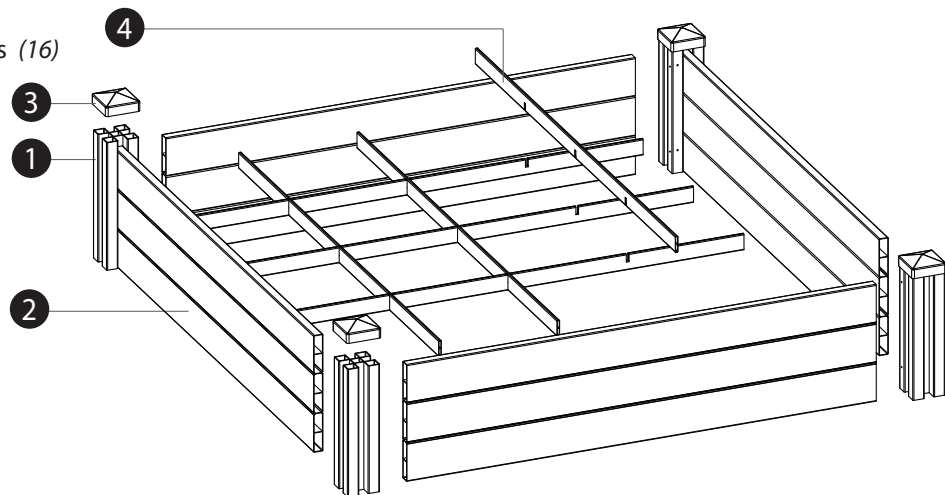
Note: Volume of Raised Garden Bed is ± 320 Liters or 11 ft³

Please read through before starting assembly.

Check Box for These Contents

In the event of missing or defective parts please call our customer service dept. at **1 800 282 9346, ext #20** (Mon. to Fri. 8:00 AM to 4:00 PM EST).

1. Posts (4)
2. Side Panels (4)
3. Post Caps (4)
4. Grid Slats (6)
5. 2 1/2" [6.4cm] Self-Auguring Stainless Steel Screws (16)



General Information

- **Read Instructions through carefully before beginning assembly.**
- When assembling components, place on a non-abrasive surface (i.e. shipping box) to avoid scratching.
- We recommend an area approx 4'x 8' for unobstructed assembling.
- You should not need to use excessive force when assembling components.



5

Not to Scale

STEP ONE

Raised Garden Bed Assembly

1

Insert boards into the posts as shown and fasten with 4 screws.

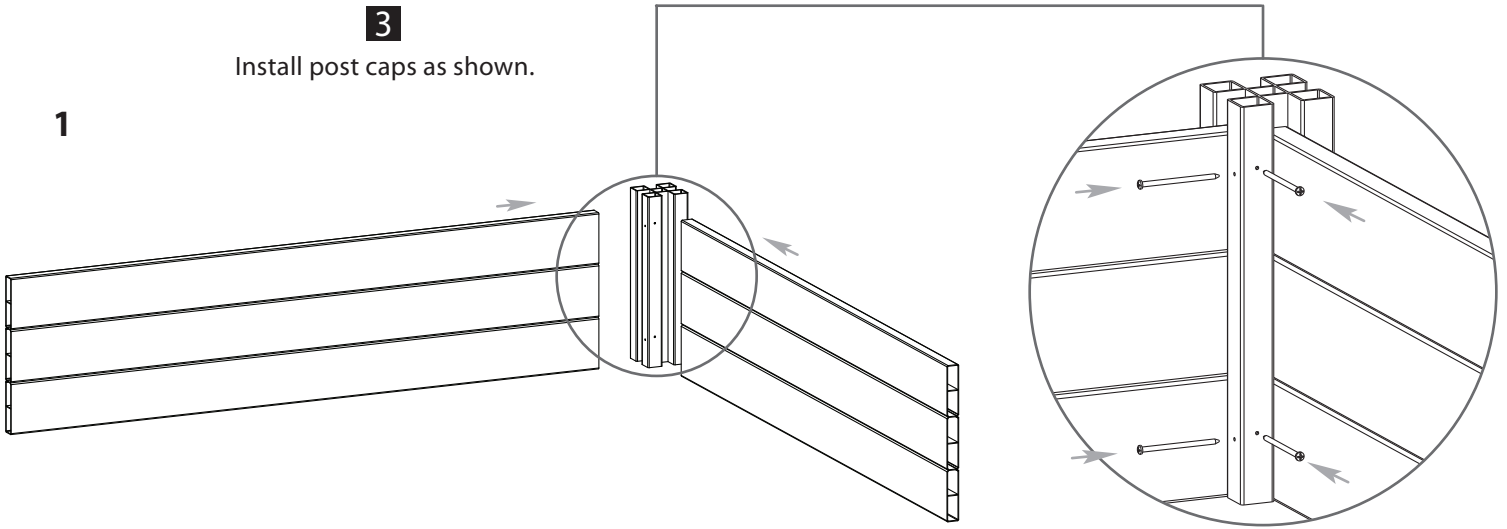
2

Repeat for all boards and posts.

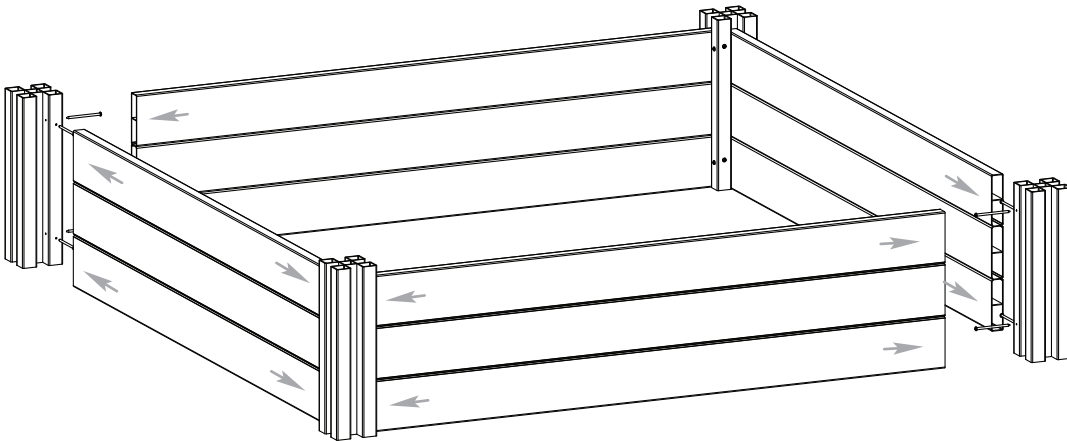
3

Install post caps as shown.

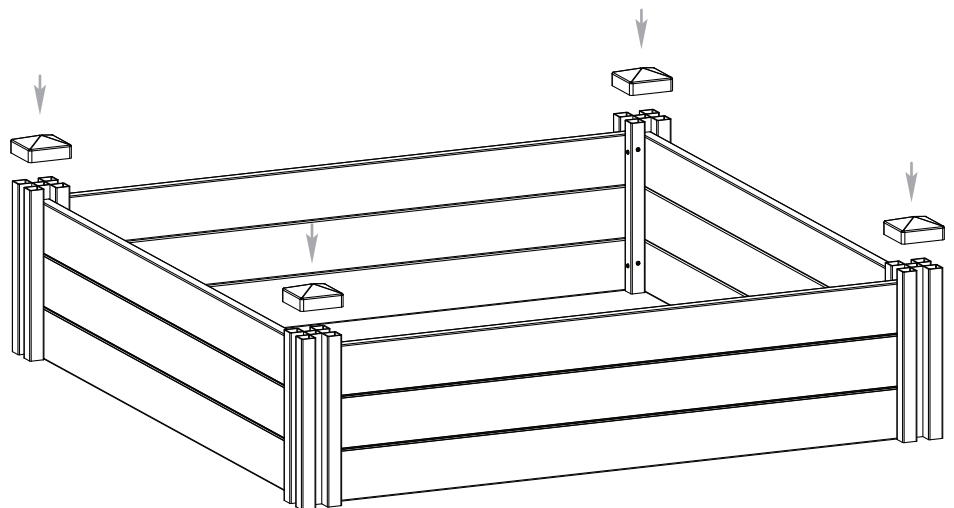
1



2



3



New England
Arbors
Leadership by Design

STEP TWO

Grid Assembly and Installation

1

Assemble the grid slats as shown.

2

Rip up and add the packaging cardboard into the garden bed. The cardboard will compost and help hold moisture in the garden bed.

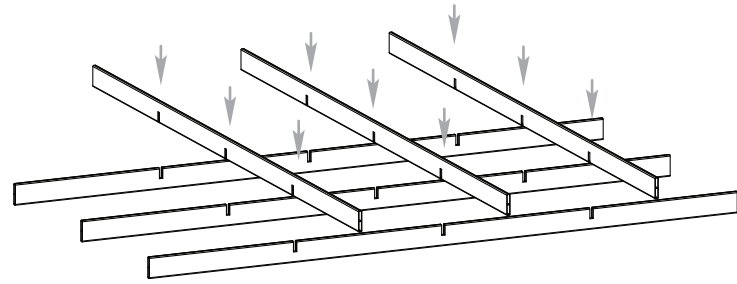
3

Fill your raised garden bed with soil to desired amount and level the dirt.

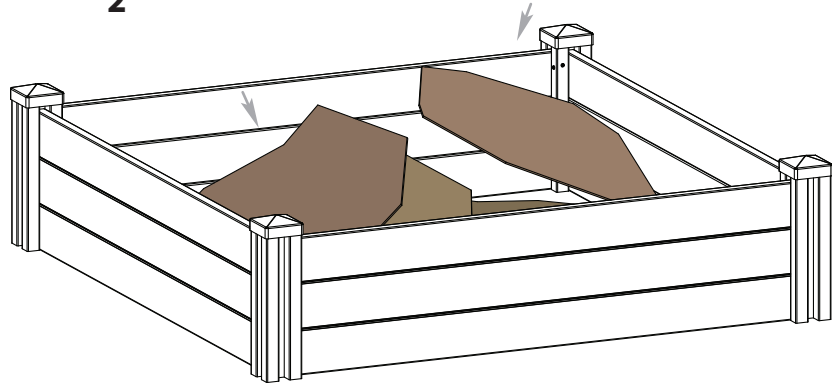
4

Place the assembled grid slats on top of the soil.

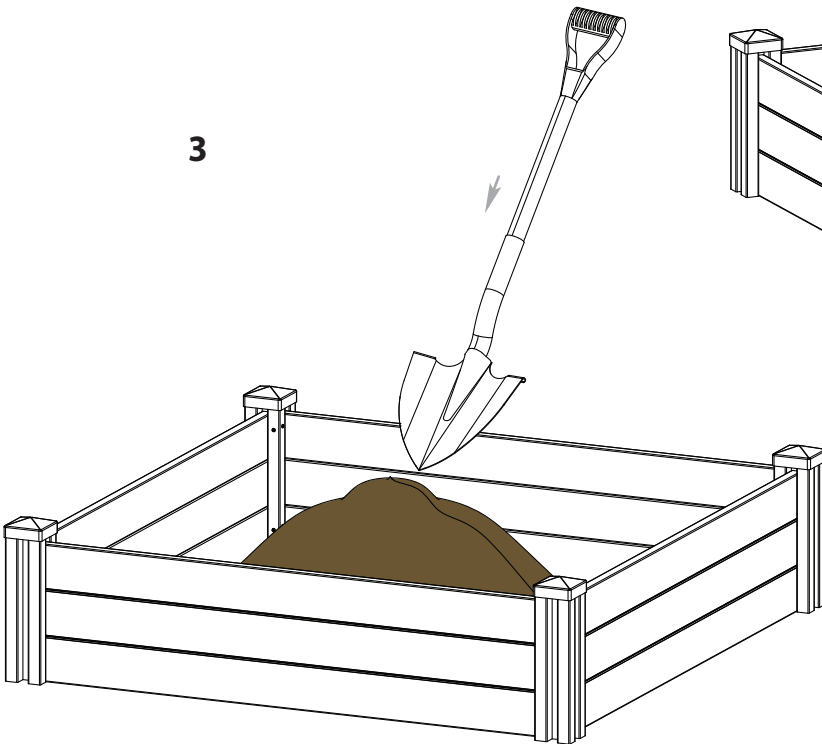
1



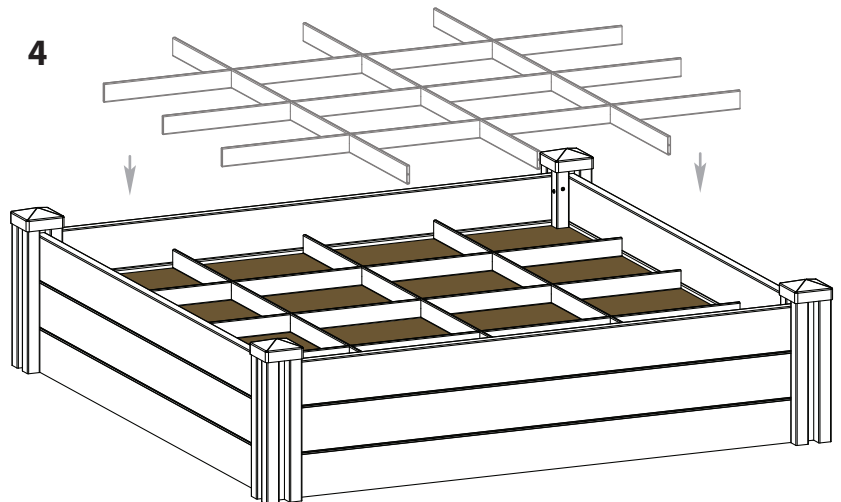
2



3



4



New England
Arbors
Leadership by Design