

Series 4, Built-in oven with added steam function, 60 x 60 cm, Black HQA574BB3B

Perfect results: Pyrolitic self-cleaning and Hotair Steam.

Features

- Oven with 8 heating methods: 3D Hotair, conventional top and bottom heat, Hotair grilling, full width variable grill, pizza function, bottom heat, Hotair gentle, hot air and steam combined
- Temperature range 50 °C - 275 °C
- Cavity volume: 71 litre capacity

Level independent telescopic rails

- 5 shelf positions
- Available as an additional accessory

Design

- Rotary dial, Retractable control dials, round With steel trim
- Cavity inner surface: enamel anthracite
- Extra large capacity oven

Cleaning

- Pyrolytic self-cleaning function
- Full glass inner door

Programmes/functions

- LED-display control (red)
- Electronic clock timer
- Heating-up indicator
AutoPilot
Automatic start
- AutoPilot, 10
- Straight bar handle
- Automatic programmes
- Fast pre-heating function
- Interior halogen light, Light on/off when oven door opened/
closed
- Water bowl with a volume of 250 ml
- Integral cooling fan

Accessories

- 2 x combination grid, 1 x universal pan

Features

- Maximum window temperature 30° C
- Low door temperature during pyrolitic cleaning
- Quadruple glazed door with heat reflective glass glazed CoolTouch door
- Electronic door lock
Control panel lock
Automatic safety switch off

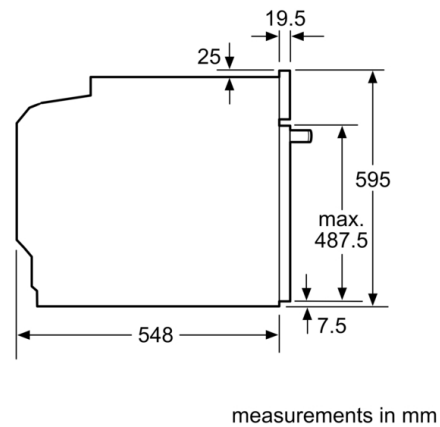
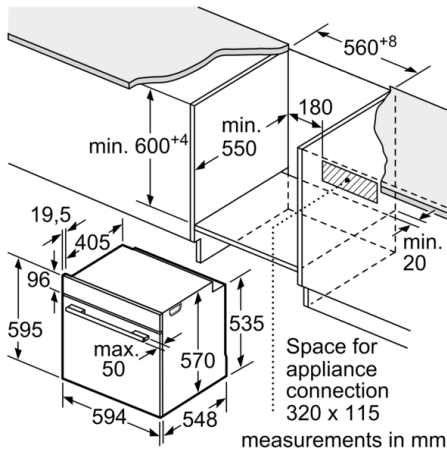
Technical information

- 120 cm Cable length
- Nominal voltage: 220 - 240 V
- Total connected load electric: 2.99 KW
- Energy efficiency rating (acc. EU Nr. 65/2014): A+
Energy consumption per cycle in conventional mode: 0.94 kWh
Energy consumption per cycle in fan-forced convection mode: 0.69 kWh
Number of cavities: Main cavity
Heat source: electrical
Cavity volume: 71 litre capacity

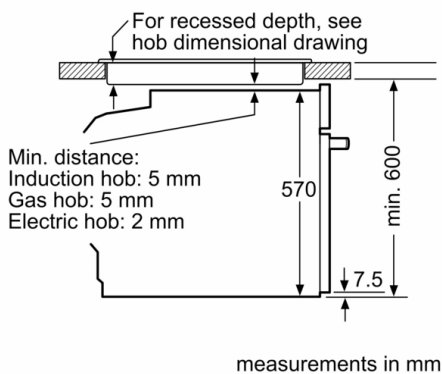
Performance/technical information

- Appliance dimension (hxwx): 595 mm x 594 mm x 548 mm
- Niche dimension (hxwx): 585 mm - 595 mm x 560 mm - 568 mm x 550 mm
- "For-details-on-installation-and-ventilation requirements – please refer to the installation manual prior to fitting."
- We recommend you to choose complementary products within SER4, in order to assure an optimal design combination of your Built-In appliances.

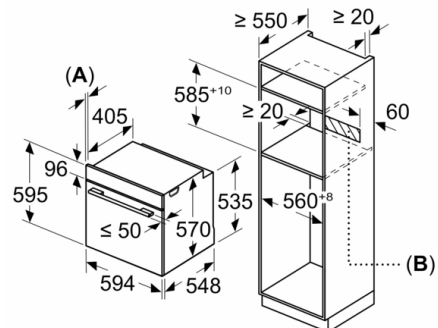
**Series 4, Built-in oven with added steam function, 60 x 60 cm, Black
HQA574BB3B**



Installation with a hob.



Measurements in mm



A: 19.5 mm
B: Space for appliance connection 320 x 115 mm