



ITM. / ART. 531543  
Model: SZCKTG22

## 57cm Charcoal Kettle Grill with Cover

### Manual for Installation, Care and Maintenance

IMPORTANT, RETAIN FOR FUTURE REFERENCE: READ CAREFULLY



**\*For Outdoor Household Use Only**  
**\*Not Suitable For Commercial Applications**

Questions, problems, and/or missing parts? Before returning to your retailer, please send an email to our customer service department: [nxracs@duro-global.com](mailto:nxracs@duro-global.com)



If you prefer to speak to a live agent; call 1-888-909-8818 Monday-Friday 9:00 AM – 5:00 PM PST;  
Languages Spoken: English, French, and Spanish (Toll Free # for US and CA Regions Only)







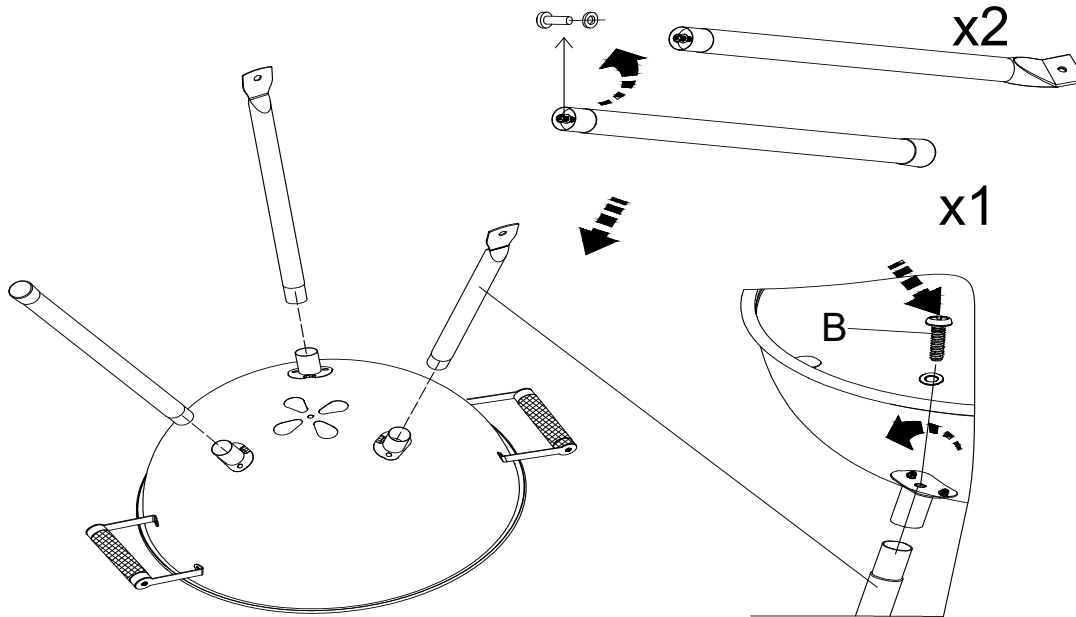






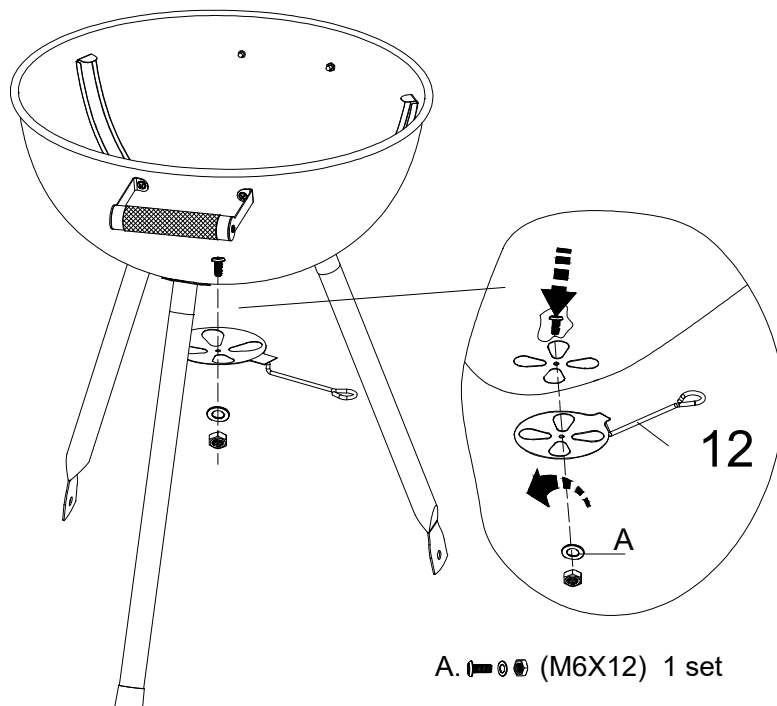
# Assembly Instructions

## Step 5



B.M6\*40  3 sets

## Step 6

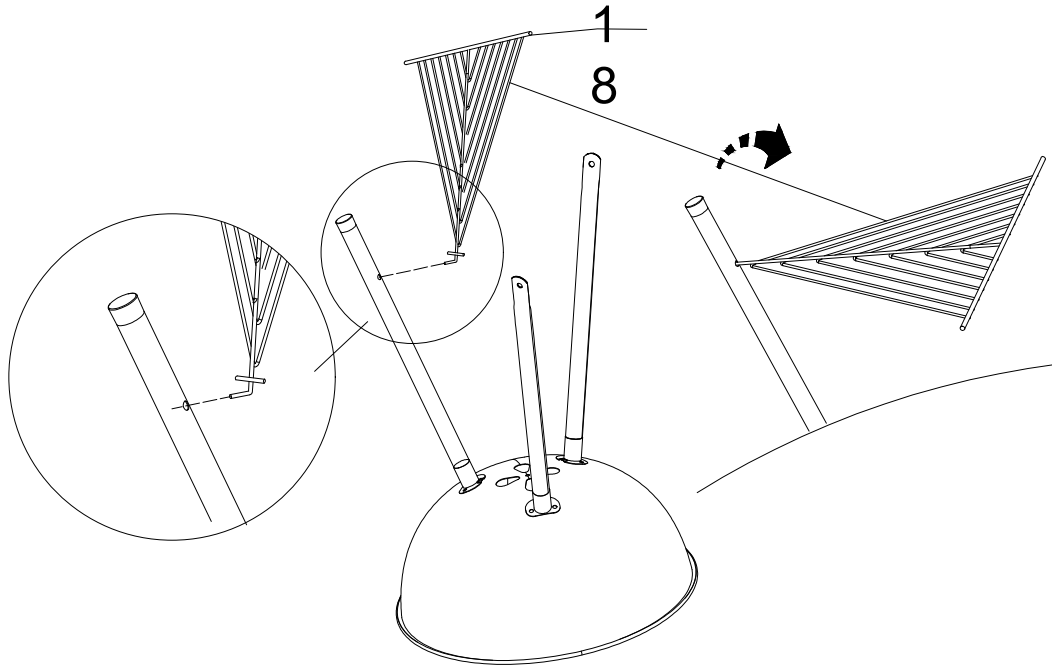


A.  (M6X12) 1 set

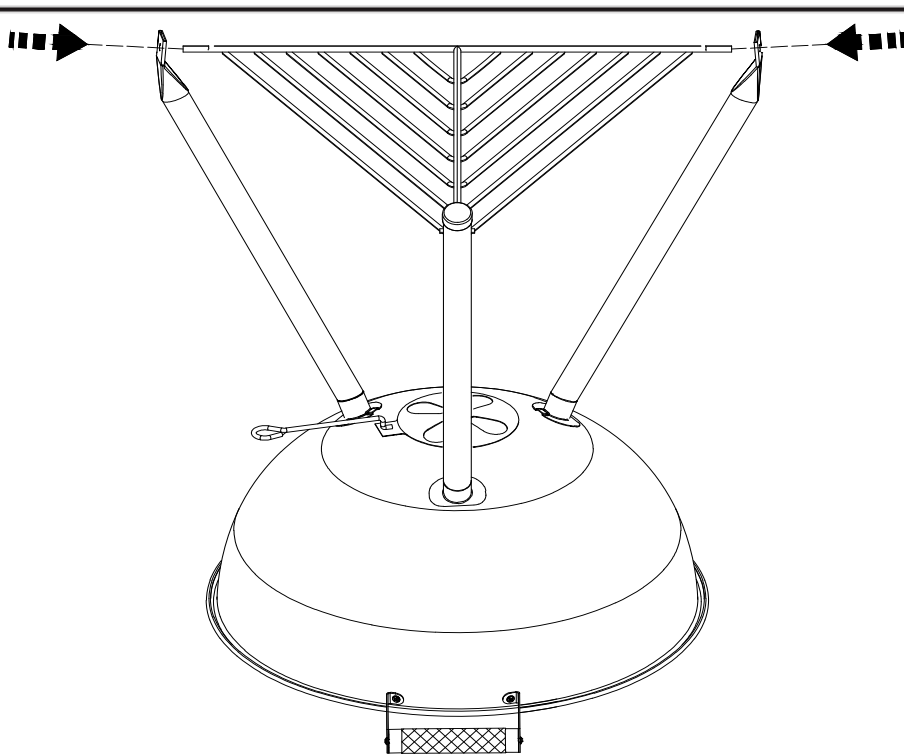


## Assembly Instructions

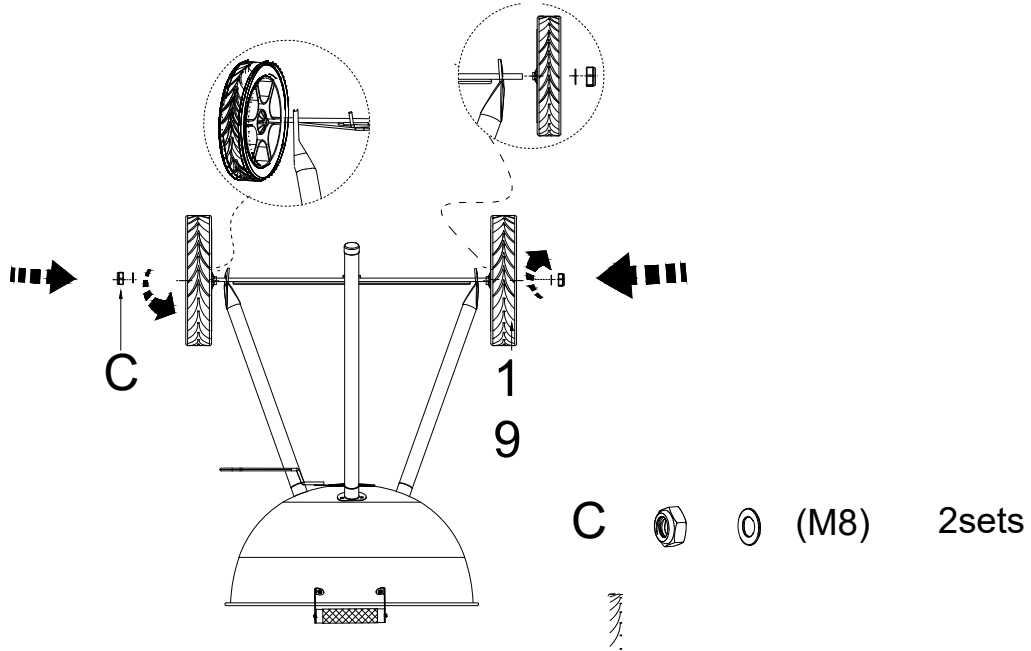
### Step 7



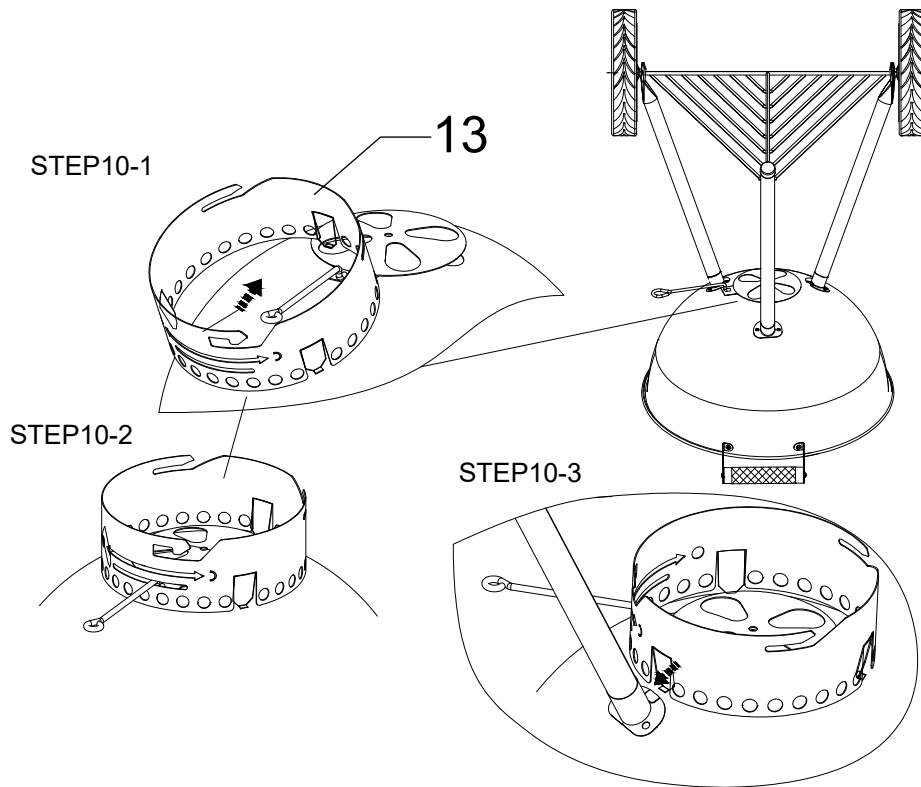
### Step 8



### Step 9

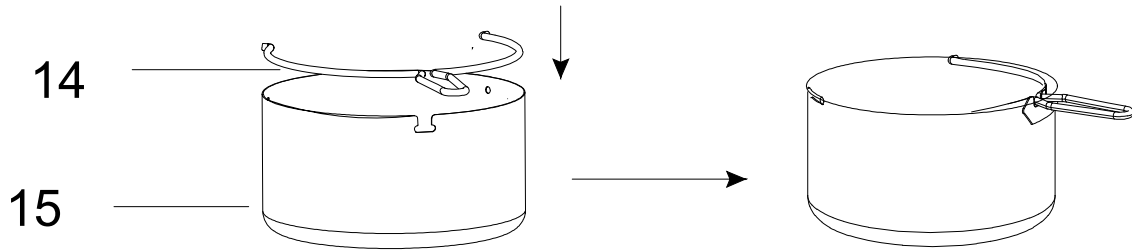


### Step 10



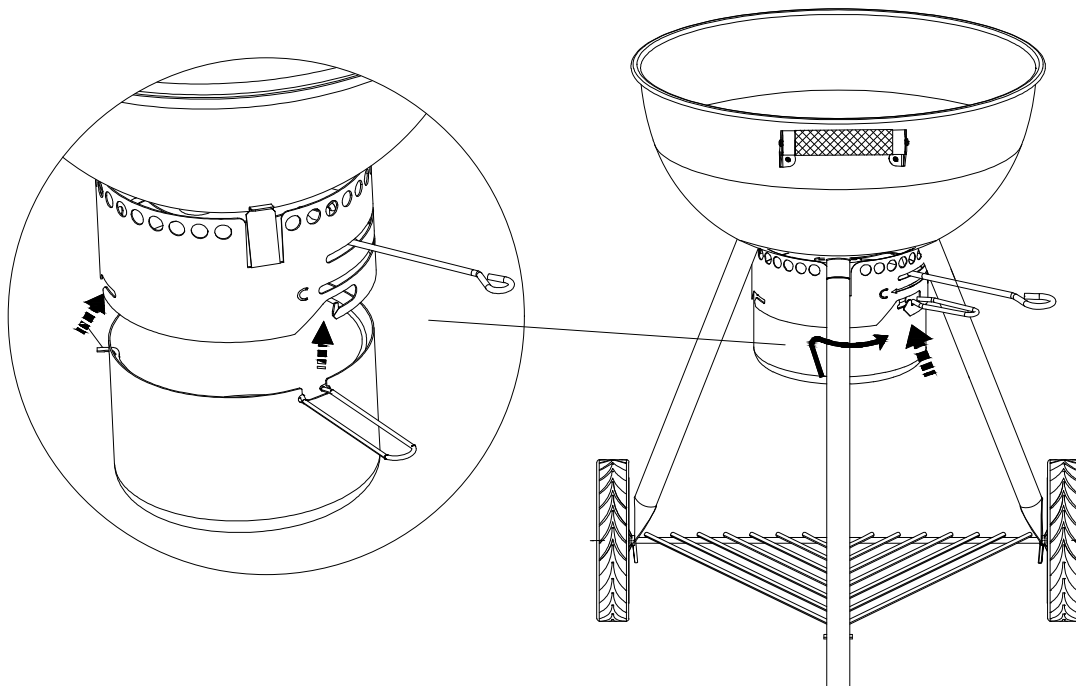
## Assembly Instructions

### Step 11



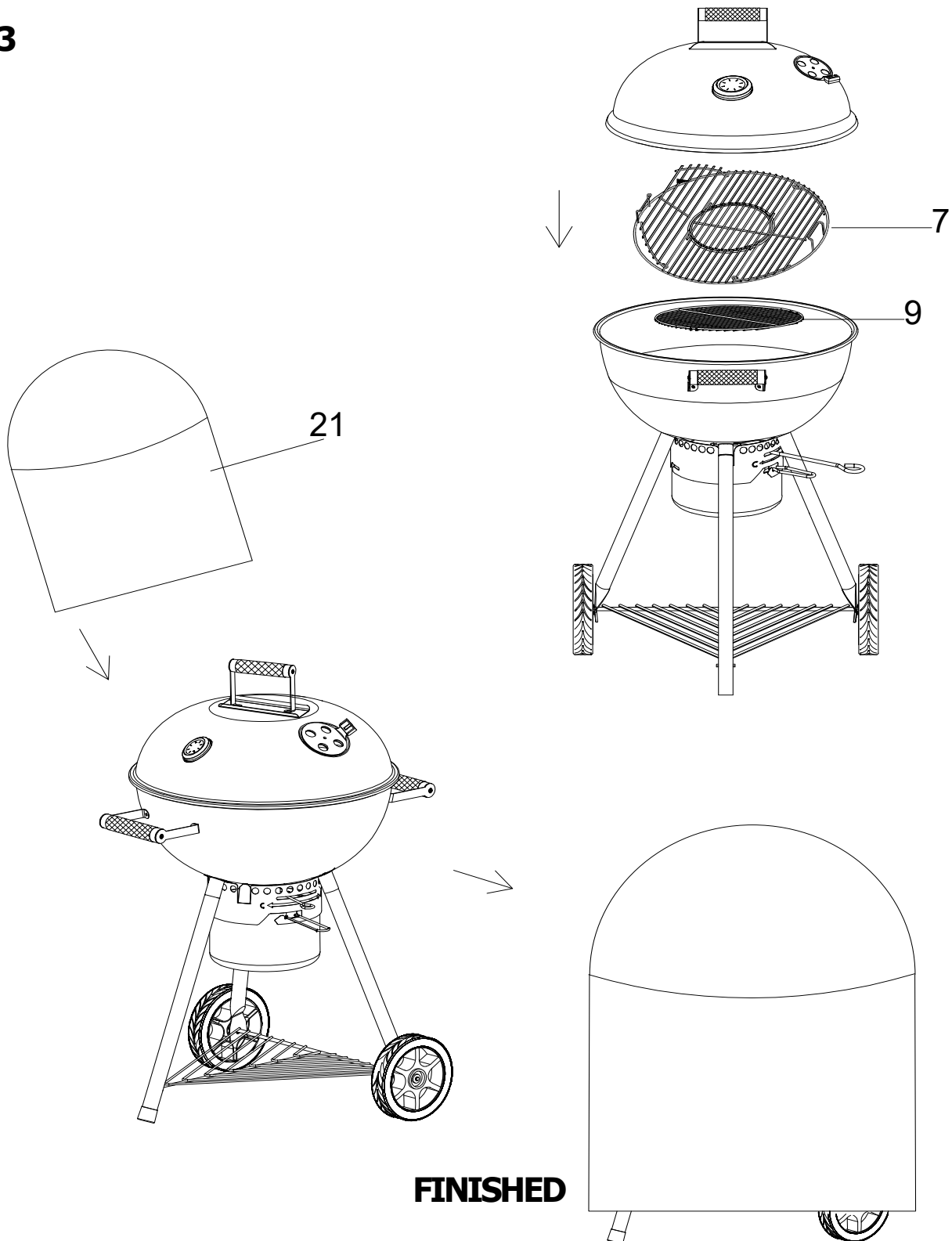
---

### Step 12



# Assembly Instructions

## Step 13





## Installation Checklist

- 1. Grill Grates:** Ensure both the cooking and charcoal grates are flat and securely positioned.
- 2. Ash Catcher:** Verify the ash catcher is correctly mounted.
- 3. Vent Control:** Confirm that all vents can be turned smoothly.
- 4. Sturdy Base:** Check that the legs are stable and the grill stands securely.
- 5. Packaging Removal:** Double-check that all packaging materials have been removed.

## Lighting Instructions

**⚠ READ ALL INSTRUCTIONS: BEFORE USING YOUR GRILL, CAREFULLY REVIEW ALL SAFETY WARNINGS AND INSTRUCTIONS.**

### Preparation:

- 1. Remove the Lid:** Lift the lid and secure it to the side of the kettle using the lid hook.
- 2. Remove the Cooking Grate:** Take out the top grate.
- 3. Clear the Charcoal Grate:** Remove the bottom grate and clean out any ash or old charcoal. Ensure the vents are clear for proper airflow.
- 4. Empty the Ash Catcher:** Release the ash catcher and dispose of the ash.
- 5. Open the Bowl Vent:** Move the vent handle to the open position.
- 6. Replace the Charcoal Grate:** Put the bottom grate back into place.

## Cooking and Operating Instructions

### ⚠ Important Safety Information:

- **Never use charcoal pre-treated with lighter fluid.**
- **Always use high-quality plain charcoal or a charcoal wood mixture.**
- **Do not allow hot coals or wood to touch the grill's walls.**

### Using Charcoal Lighting Fluid:

- 1. Important:** Only use charcoal lighting fluid approved for lighting charcoal.
- 2. Do not use:** gasoline, kerosene, alcohol, or other flammable materials.
- 3. Follow:** all manufacturer's warnings and instructions.



## Cooking and Operating Instructions (Continued)

### To Light the Charcoal:

1. **Start with:** 2.5 pounds of charcoal.
2. **Place:** the charcoal in the center of the charcoal grate.
3. **Saturate:** the charcoal with lighting fluid.
4. **Wait:** 2-3 minutes for the fluid to soak in.
5. **Safely store:** the charcoal lighting fluid away from the grill.
6. **Light:** the charcoal with a match or long-reach lighter, following the packaging instructions.
7. **Spread:** the charcoal evenly across the grate.

### To Cook:

1. **Place:** the cooking grate on the grid support brackets.
2. **Place food:** on the cooking grill and close the grill lid.
3. **Reduce heat:** by closing the front air ventilation.
4. **Use a meat thermometer:** to ensure food is fully cooked before removing.

### After Cooking:

- **Cool:** the grill completely.
- **Maintain:** the grill according to the instructions of this manual.

### ⚠️ WARNING:

**Do not close the grill lid until the charcoal lighting fluid has completely burned off (approximately 20 minutes). Failure to do so can trap flammable fumes inside the grill, posing a serious risk of flash fire or explosion when the lid is opened.**

### Adding Charcoal or Wood During Cooking

#### Important:

1. **Stand back** and carefully open the grill lid. Be cautious as flames may flare up when fresh air contacts the fire.
2. **Stand back** a safe distance and use long cooking tongs to gently remove ashes from the hot coals.
3. **Add charcoal or wood** to the charcoal grate using the tongs. Avoid stirring up ashes and sparks.
4. **If needed,** use a charcoal chimney starter to light additional fuel and add it to the fire.
5. **Once the charcoal is burning strongly again,** wear oven mitts or gloves and carefully return the cooking grate to the grill support lips.

### ⚠️ WARNING:

- **Always wear protective gloves or oven mitts** when handling hot surfaces, including when removing the cooking grate.
- **When the charcoal is burning strongly again,** use oven mitts or gloves to carefully return the cooking grate to the grill support lips.



## Care and Maintenance

**To prolong your grill's life and prevent excessive rust, follow these guidelines:**

### **Cleaning:**

- Wash the cooking grate and charcoal grate with hot, soapy water. Rinse thoroughly and dry completely.
- Clean the interior and exterior of the grill with a damp cloth. Apply a light coat of vegetable oil or vegetable oil spray to the interior surface to prevent rust.
- Do not oil the charcoal tray or charcoal ash tray.

### **Rust Prevention:**

- If rust appears on the exterior surface:
  - o Clean and buff the affected area with steel wool or fine-grit emery cloth.
  - o Apply a high-quality, high-temperature resistant paint to touch up the area.
- For rust on the interior surface:
  - o Buff and clean the affected area.
  - o Apply a light coat of vegetable oil or vegetable oil spray to minimize further rusting.
  - o Never paint the interior surface.

### **Storage:**

- Always cover the grill when not in use to protect it from the elements.

### **Grill Maintenance Tips:**

- Clean Regularly: Before each use, remove accumulated ashes and old charcoal from the bottom of the kettle and ash catcher. Ensure the grill is completely cool before cleaning.
- Lid Maintenance: The "paint-like" flakes on the inside of the lid are a normal byproduct of the cooking process. To clean, use a stainless steel bristle grill brush to remove carbonized grease. To minimize future buildup, wipe the inside of the lid with a paper towel while the grill is still warm (not hot).
- Exterior Care: In harsh environments, clean the exterior of the grill more frequently with warm, soapy water. Rinse thoroughly and dry completely. Avoid using sharp objects or abrasive cleaners to prevent damage to the grill's surface.



## LIMITED WARRANTY

DURO warrants to the original consumer-purchaser only that this product (Model#SZCKTG22) shall be free from defects in workmanship and materials after correctly assemble and under normal and reasonable home use for the periods indicated below beginning on the date of purchase. The manufacturer reserves the right to require photographic evidence of damage, or that defective parts to be returned, postage and or freight prepaid by the consumer, for review and examination.

Cooking grid: 1 Years LIMITED warranty; does not cover dropping, chipping, scratching, or surface damage.  
All other parts: 1 Years LIMITED warranty; does not cover chipping, scratching, cracking surface corrosion, scratches or rust.

Upon consumer supplying proof of purchase as provided herein, Manufacturer will repair or replace the parts which are proven defective during the applicable warranty period. Parts required to complete such repair or replacement shall be free of charge to you except for shipping costs, as long as the purchaser is within the warranty period from the original date of purchase. The original consumer-purchaser will be responsible for all shipping charges of parts replaced under the terms of this limited warranty.

This limited warranty is applicable in the United States only, is only available to the original owner of the product and is not transferable.

Manufacturer requires reasonable proof of your date of purchase. Therefore, you should retain your sales receipt and / or invoice. If the unit was received as a gift, please ask the gift-giver to send in the receipt on your behalf, to the below address. Defective or missing parts subject to this limited warranty will not be replaced without registration or proof of purchase. This limited warranty applies to the functionality of the product ONLY and does not cover cosmetic issues such as scratches, dents, corrosion or discoloration by heat, abrasive and chemical cleaners or any tools used in the assembly or installation of the appliance, surface rust, or the discoloration of stainlesssteel surfaces. Surface rust, corrosion, or powder paint chipping on metal parts that does not affect the structural integrity of the product is not considered a defect in workmanship or material and is not covered by this warranty. This limited warranty will not reimburse you for the cost of any inconvenience, food, personal injury or property damage. If an original replacement part is not available, a comparable replacement part will be sent. You will be responsible for all shipping charges of parts replaced under the terms of this limited warranty.

ITEMS MANUFACTURER WILL NOT PAY FOR:

- Service calls to your home.
- Repairs when your product is used for other than normal, single-family household or residential use.
- Damage resulting from accident, alteration, misuse, lack of maintenance/ cleaning, abuse, fire, flood, acts of God, improper installation, and installation not in accordance with electrical or plumbing codes or use of products not approved by the manufacturer.
- Any food loss due to product failures.
- Pick up and delivery of your product.
- Postage fees or photo processing fees for photos sent in as documentation.
- Repairs to parts or systems resulting from unauthorized modifications made to the product.
- The removal and/or re-installation of your product.
- Shipping cost, standard or expedited, for warranty / non warranty and replacement parts.





## LIMITED WARRANTY

### DISCLAIMER OF IMPLIED WARRANTIES; LIMITATION OF REMEDIES

Repair or replacement of defective parts is your exclusive remedy under the terms of this limited warranty. Manufacturer will not be responsible for any consequential or incidental damages arising from the breach of either this limited warranty or any applicable implied warranty, or for failure or damage resulting from acts of God, improper care and maintenance, grease fire, accident, alteration, replacement of parts by anyone other than Manufacturer, misuse, transportation, commercial use, abuse, hostile environments (inclement weather, acts of nature, animal tampering), improper installation or installation not in accordance with local codes or printed manufacturer instructions.

THIS LIMITED WARRANTY IS THE SOLE EXPRESS WARRANTY GIVEN BY THE MANUFACTURER. NO PRODUCT PERFORMANCE SPECIFICATION OR DESCRIPTION WHEREVER APPEARING IS WARRANTED BY MANUFACTURER EXCEPT TO THE EXTENT SET FORTH IN THIS LIMITED WARRANTY. ANY IMPLIED WARRANTY PROTECTION ARISING UNDER THE LAWS OF ANY STATE, INCLUDING IMPLIED WARRANTY OF MERCHANT ABILITY OR FITNESS FOR A PARTICULAR PURPOSE OR USE, IS HEREBY LIMITED IN DURATION TO THE DURATION OF THIS LIMITED WARRANTY. Neither dealers nor the retail establishment selling this product has any authority to make any additional warranties or to promise remedies in addition to or inconsistent with those stated above. Manufacturer's maximum liability, in any event, shall not exceed the documented purchase price of the product paid by the original consumer. This warranty only applies to units purchased from an authorized retailer and or re-seller.

NOTE: Some states do not allow an exclusion or limitation of incidental or consequential damages, so some of the above limitations or exclusions may not apply to you; this limited warranty gives you specific legal rights as set for herein. You may also have other rights which vary from state to state.

If you wish to obtain performance of any obligation under this limited warranty, you should write to:

DURO CORPORATION  
918 Canada Ct  
City of Industry, CA 91748 USA

All consumer returns, parts orders, general questions, and troubleshooting assistance can be acquired by calling our customer service department at 1-888-909-8818, 9:00 a.m.- 5:00 p.m., PST, Monday-Friday. English representatives are available. Send email to: [nxracs@duro-global.com](mailto:nxracs@duro-global.com)



**ITM. / ART. 531543**  
**Model: SZCKTG22**

Distributed by:  
Costco Wholesale Corporation  
P.O. Box 34535  
Seattle, WA 98124-1535  
USA  
1-800-774-2678  
[www.costco.com](http://www.costco.com)

Costco Wholesale Canada Ltd.\*  
415 W. Hunt Club Road  
Ottawa, Ontario  
K2E 1C5, Canada  
1-800-463-3783  
[www.costco.ca](http://www.costco.ca)  
\* faisant affaire au Québec sous  
le nom les Entrepôts Costco

Importado por:  
Importadora Primex S.A. de C.V.  
Blvd. Magnocentro No. 4  
San Fernando La Herradura  
Huixquilucan, Estado de México  
C.P. 52765  
RFC: IPR-930907-S70  
(55)-5246-5500  
[www.costco.com.mx](http://www.costco.com.mx)

Costco Wholesale Australia Pty Ltd  
17-21 Parramatta Road  
Lidcombe NSW 2141  
Australia  
[www.costco.com.au](http://www.costco.com.au)

Costco Wholesale UK Ltd /  
Costco Online UK Ltd  
Hartspring Lane  
Watford, Herts  
WD25 8JS  
United Kingdom  
01923 213113  
[www.costco.co.uk](http://www.costco.co.uk)

Costco Wholesale Spain S.L.U.  
Polígono Empresarial Los Gavilanes  
C/ Agustín de Betancourt, 17  
28906 Getafe (Madrid) España  
NIF: B86509460  
900 111 155  
[www.costco.es](http://www.costco.es)

Costco Wholesale Iceland ehf.  
Kauptún 3-7, 210 Gardabaer  
Iceland  
[www.costco.is](http://www.costco.is)

Costco France  
1 avenue de Bréhat  
91140 Villebon-sur-Yvette  
France  
01 80 45 01 10  
[www.costco.fr](http://www.costco.fr)

Costco Wholesale Japan Ltd.  
2 Kakuchi, 2 Gaiku, Kaneda-Nishi  
361 Urakura, Kisarazu shi  
Chiba, 292-0007 Japan  
0570-200-800  
[www.costco.co.jp](http://www.costco.co.jp)

Costco Wholesale Korea, Ltd.  
40, Iljik-ro  
Gwangmyeong-si  
Gyeonggi-do, 14347, Korea  
1899-9900  
[www.costco.co.kr](http://www.costco.co.kr)

Costco Wholesale New Zealand Limited  
2 Gunton Drive  
Westgate  
Auckland 0814  
New Zealand  
[www.costco.co.nz](http://www.costco.co.nz)

Costco (China) Investment Co., Ltd.  
Room 01 Mezzanine  
No. 5178, Kang Xin Highway  
Pudong New District  
Shanghai  
China 201315  
+86-21-6257-7065

Costco Wholesale Sweden AB  
Box 614  
114 11 Stockholm  
Sweden  
[www.costco.se](http://www.costco.se)

MADE IN CHINA