

Technical Data Sheet

Cheltenham 2F Concealed Shower System CH - SMT1611

TAVISTOCK

No.	Description	Code	Fixings Included
1	Cheltenham 2F Concealed Shower System CH	SCM1611	YES

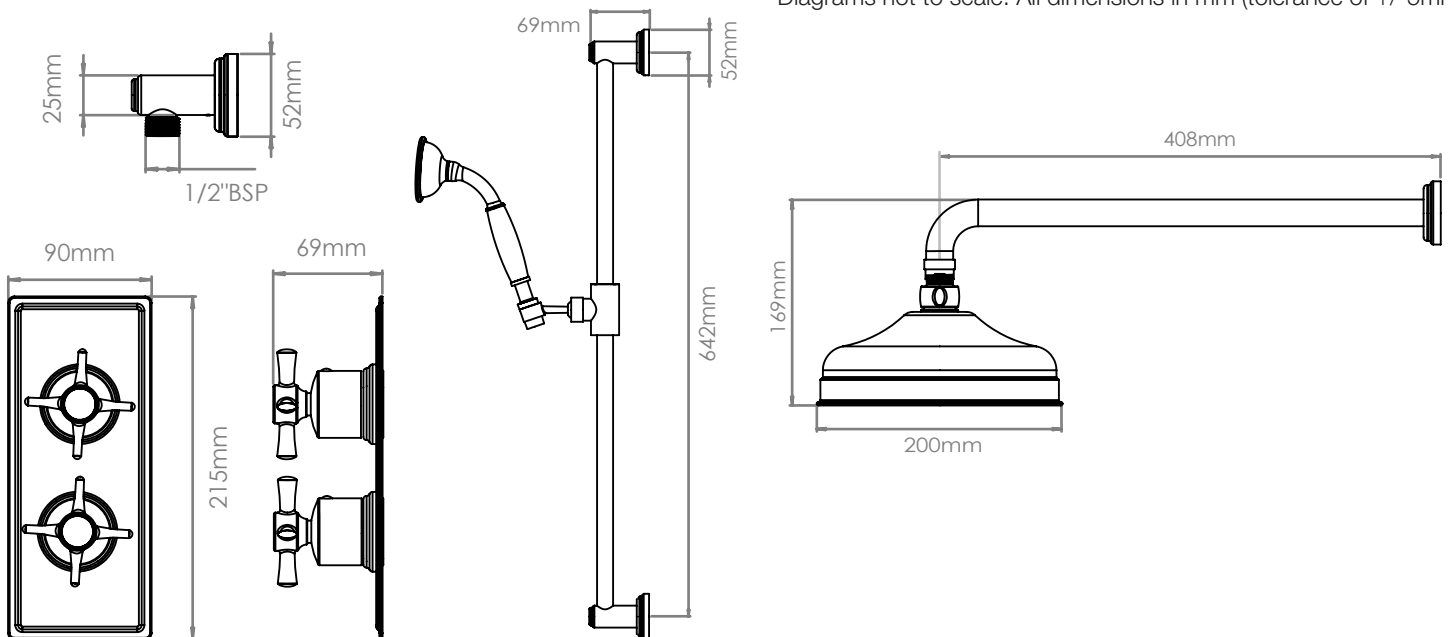


Inlet Pressure	Flow Rate (l/min)
1bar	11.6
2bar	17.0
3bar	21.0

Flow from valve may vary depending on accessories and domestic supply.

Dimensions - SCM1611

Diagrams not to scale. All dimensions in mm (tolerance of +/-5mm)



FAQs

- What is the size of the connections?** The valve uses 1/2" connections.
- Can I have both shower options on at the same time?** Yes
- What size Pipework do i need?** 15mm
- Is it suitable for stud walls?** It is recommended you use CLS size 89mm depth within the wall
- Does the valve include isolation points?** Yes
- What is the recommended operating pressure?** 1.0bar

Components

- Valve - RR18
- Chrome Shower Plate - SVCOMP14
- Chrome Valve Handle - TAVSVHAN01
- Riser rail - SVRAIL12
- Handset - SVHEAD48
- Shower Hose - SVHOSE01
- Brass Wall Elbow - SVACS24
- Adjustable Fixed arm - SVARM13
- Shower Head - SVHEAD48