

**Series 4, Free-standing fridge-freezer with freezer at bottom, 203 x 60 cm, Cast Iron, Green Collection, Total No Frost**

**KGN390CAFG**



**Included accessories**

2 x cold accumulator  
1 x ice cube tray

**Smaller carbon footprint with our Green Collection: built with CO<sub>2</sub> reduced materials as well as energy efficiency class A, VitaFresh XXL <0°C> and Total No Frost.**

- **Energy efficiency class A:** reduce energy consumption while enjoying optimal cooling performance.
- **No Frost:** never defrost again, thanks to perfect protection from ice formation - that saves time and effort.
- **VitaFresh XXL <0°C>:** keeps food fresh for longer in extra-large climate-controlled fridge drawers.
- **Perfect Fit:** place your appliance right next to walls or in a niche.
- **Glossy Backwall with Multi Airflow:** evenly circulates cool, fresh air to maintain consistent temperatures.

**Technical Data**

Energy Efficiency Class: A  
 Average annual energy consumption in kilowatt hour per year (kWh/a): 112 kWh/a  
 Sum of volume of frozen compartments: 103 l  
 Sum of volume of chill compartments: 260 l  
 Airborne acoustical noise emissions : 29 dB(A) re 1pW  
 Airborne acoustical noise emission class: A  
 Built-in / Free-standing: Free-standing  
 Number of compressors: 1  
 Number of independent cooling systems: 2  
 Width of the appliance: 600 mm  
 Height: 2030 mm  
 Depth: 665 mm  
 Net weight: 96.0 kg  
 Door panel options: Not possible  
 Door hinge: Right reversible  
 Number of Adjustable Shelves in fridge compartment: 3  
 Shelves for Bottles: Yes  
 Frost free system: Fridge and freezer  
 Interior ventilator: No  
 Reversible Door Hinge: Yes  
 Length electrical supply cord: 220 cm  
 Noise level: 29 dB(A) re 1pW  
 Multi-Flow Air Tower: Yes  
 Fast cooling switch: Yes  
 Fast freezing function: Yes  
 Temperature Controlled Drawer: No  
 Humidity Control Drawer: No  
 Number of Door Bins - Refrigerator: 4  
 Door bin adjustability - Refrigerator: Yes  
 Tilt-out door bins in fridge: No  
 Gallon Storage: Yes  
 Number of Gallon storage: 1  
 Motorized Shelf: No  
 Material of the shelves: Safety glass  
 Door opened indicator freezer: No  
 Automatic motor-driven ice-maker: No  
 Fuse protection: 10 A  
 Voltage: 220-240 V  
 Frequency: 50-60 Hz  
 Storage Period in Event of Power Failure (h): 21 h  
 Door panel options: Not possible  
 Noise level: 29 dB(A) re 1pW  
 Energy Star Qualified: No  
 Plug type: GB plug  
 Required cutout/niche size for installation (in): x  
 Dimensions of the packed product: 82.48 x 25.98 x 30.70  
 Net weight: 212.000 lbs  
 Gross weight: 226.000 lbs



## **Series 4, Free-standing fridge-freezer with freezer at bottom, 203 x 60 cm, Cast Iron, Green Collection, Total No Frost KGN39OCAFG**

**Smaller carbon footprint with our Green Collection: built with CO<sub>2</sub> reduced materials as well as energy efficiency class A, VitaFresh XXL <0°C> and Total No Frost.**

- KGN39OCAFG
- Twin No Frost (RC + FC), Fridge freezer
- Standard door Cast Iron

### **Performance and Consumption**

- EU19\_EEK\_D: A
- Total Volume : 363 l
- Annual Energy Consumption: 112 kWh/a
- EU19\_Fast freezer facility\_D
- Noise Level : 29 dB , EU19\_Noise emission class\_D: A

### **Functions**

- Cast Iron doors and cast iron side panels
- White glossy back wall
- Integrated vertical handle
- Bright interior LED fridge light in fridge section

### **Design features**

- NO\_FROST\_NEU\_BL, never have to defrost ever again
- Separate, electronic temperature control with LED display
- Two separate cooling circuits allow independent temperature control and prevents the transference of humidity between the fridge and freezer cavity
- Super Cooling: automatic deactivation
- SuperFreeze function with automatic deactivation
- Optical and acoustical
- Freezer malfunction warning signal: optical and acoustical warning system

### **Design features**

- Net Fridge Volume : 260 l
- MultiAirflow system - improves circulation of air around the fridge
- 5 safety glass shelves of which 3 are height adjustable
- Metal bottle rack
- Door shelves in fridge door: 1 large and 3 small.

### **Freshness System**

- 1 VitaFresh drawer - Fish and meat stay fresh for longer
- 1 VitaFresh drawer with humidity control - Fruits and vegetables retain vitamins and stay fresh for longer

### **Food freshness system**

- Net Freezer Volume : 103 l
- Freezing capacity 24h : 10 kg
- Temperature rise time : EU19\_Temperature rise time\_D: 21 H
- 3 freezer drawers

### **Dimension and installation**

- Dimensions: 203 cm H x 60 cm W x 66.5 cm D

### **Key features - Fridge section**

- door reversible
- Height adjustable front feet
- Climate Class: SN-T
- 220 - 240 V
- Length of power cord:220 cm

### **Key features - Freezer section**

- 2 x cold accumulator, 1 x ice cube tray

### **Country Specific Options**

- Based on the results of the standard 24-hour test. Actual consumption depends on usage/position of the appliance.

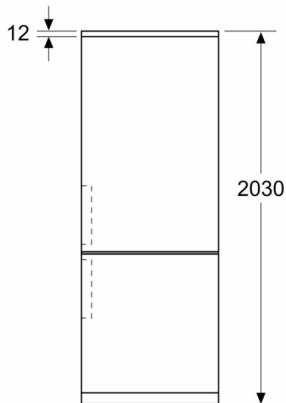
### **Design features**

### **Dimension and installation**

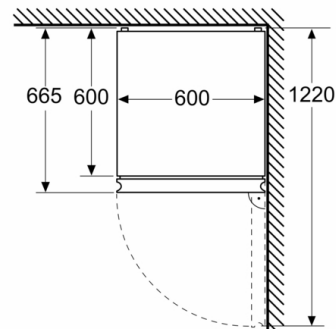
### **Additional features**

**Series 4, Free-standing fridge-freezer with  
freezer at bottom, 203 x 60 cm, Cast Iron,  
Green Collection, Total No Frost  
KGN390CAFG**

Measurements in mm



Measurements in mm



Measurements in mm

