

**Series 4, Built-under fridge, 82 x 59.8 cm, flat hinge
KUR21VFE0G**



Optional accessories

KFZ10AX0 :

KUZ20SX0 : Attachment door, stainless steel

Built-under fridge: loads of space and easy access, with Door Alarm for worry-free storage where space is limited.

- **Quiet appliances:** enjoy a calm and relaxing home.
- **Eco Airflow:** maintains optimal air circulation and a constant temperature level throughout the cooling area.
- **LED lighting:** all your items in perfect view.
- **Super Cool function:** cools new food faster, to protect what is already inside.

Technical Data

Gross weight: 69.000 lbs

Energy Efficiency Class: E

Average annual energy consumption in kilowatt hour per year (kWh/a): 93 kWh/a

Sum of volume of frozen compartments: 0 l

Sum of volume of chill compartments: 134 l

Airborne acoustical noise emissions : 35 dB(A) re 1pW

Airborne acoustical noise emission class: B

Built-in / Free-standing: Built-in

Number of compressors: 1

Number of independent cooling systems: 1

Width of the appliance: 598 mm

Height: 820 mm

Depth: 548 mm

Net weight: 28.6 kg

Required niche size for installation (HxWxD): 820x600x550 mm

Door panel options: Not possible

Door hinge: Right reversible

Number of Adjustable Shelves in fridge compartment: 2

Shelves for Bottles: No

Interior ventilator: No

Reversible Door Hinge: Yes

Length electrical supply cord: 230 cm

Multi-Flow Air Tower: No

Economy setting: Yes

Fast cooling switch: Yes

Temperature Controlled Drawer: No

Humidity Control Drawer: No

Number of Door Bins - Refrigerator: 2

Door bin adjustability - Refrigerator: Yes

Tilt-out door bins in fridge: No

Gallon Storage: Yes

Number of Gallon storage: 1

Motorized Shelf: No

Material of the shelves: Glass

Door opened indicator freezer: No

Fuse protection: 10 A

Voltage: 220-240 V

Frequency: 50 Hz

Door panel options: Not possible

Installation typology: Full-integrated

Energy Star Qualified: No

Plug type: GB plug

Required cutout/niche size for installation (in): x

Dimensions of the packed product: 35.03 x 25.78 x 24.60

Net weight: 63.000 lbs



4 242005 390007

**Series 4, Built-under fridge, 82 x 59.8 cm,
flat hinge
KUR21VFE0G**

Additional features

Built-under fridge: loads of space and easy access, with Door Alarm for worry-free storage where space is limited.

Performance and Consumption

- EU19_EEK_D: E
- Total Volume : 134 l
- Annual Energy Consumption: 93 kWh/a
- Climate Class: SN-T
- Noise Level : 35 dB , EU19_Noise emission class_D: B

Functions

- Bright interior LED fridge light

Design features

- LED electronic control
- Optical and accoustical
- Fresh mode
- Home Connect: iService Remote, Remote Monitoring and Control with Wi-Fi connectivity
- Super Cooling: automatic deactivation
- Automatic defrost fridge
- Easy clean interior

Design features

- Net Fridge Volume : 134 l
- 2 door bins
- Bottle holder in x-deep door tray

Freshness System

Key features - Fridge section

- Right hinged door, door reversible
- Fully integrated
- Ventilation through plinth
- Length of power cord:230 cm
- 220 - 240 V

Dimension and installation

- Niche Dimensions: 82 cm H x 60 cm W x 55 cm D
- Dimensions: 82 cm H x 59.8 cm W x 54.8 cm D

Key features - Freezer section

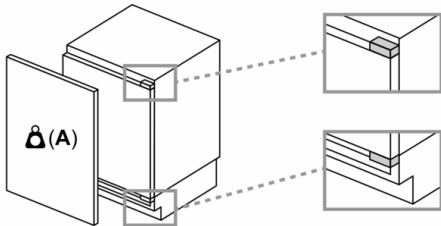
- KUR21VFE0G

Country Specific Options

- Based on the results of the standard 24-hour test. Actual consumption depends on usage/position of the appliance.

Series 4, Built-under fridge, 82 x 59.8 cm, flat hinge KUR21VFE0G

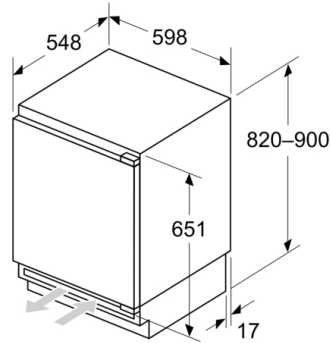
Maximal permissible weight of the unit fronts



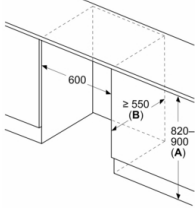
Fitted unit fronts that exceed the permissible weight may cause damage and result in functional impairment of the hinges

A: Weight ≤ 12 kg

Measurements in mm



Measurements in mm

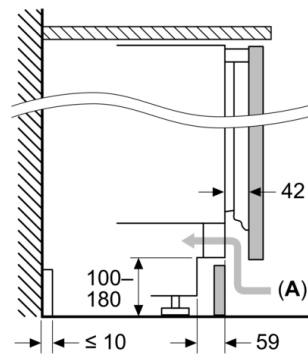


A: Substructure height

B: ≥ 560 mm (recommended)

Space for electrical connection next to the appliance on the left or right side

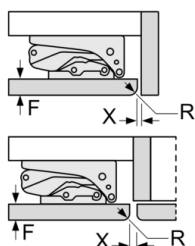
Measurements in mm



A: Air inlet ≥ 200 cm²

measurements in mm

Recommended gap dimensions for flat hinges



	F	R	X
16-19	0-3	2.5	
	20	0-1	3
21	2-3	2.5	
	21	0-1	3
22	2-3	2.5	
	22	0	4
	22	1	3.5
		2-3	3

The gap dimensions recommended in the table must be adhered to in order to ensure that appliance doors do not collide with anything when they are opened, and to avoid causing damage to kitchen units.