

**Series 8, Multi Door American Fridge Freezer, 183 x 90.5 cm, Stainless steel KFF96PIEP**



**Included accessories**

1 x cartridge for water filtering system

- **Ice cubes and water:** whenever you need them
- **XXL capacity:** extra space for your food when you need it.
- **No Frost:** never defrost again, thanks to perfect protection from ice formation - that saves time and effort.
- **VitaFresh pro:** keeps food fresh for longer thanks to optimal climate control and +0°C technology.
- **Metal Backwall with Multi Airflow:** evenly circulates cool, fresh air to maintain consistent temperatures.

**Technical Data**

Energy Efficiency Class: E  
 Average annual energy consumption in kilowatt hour per year (kWh/a): 333 kWh/a  
 Sum of volume of frozen compartments: 171 l  
 Sum of volume of chill compartments: 402 l  
 Airborne acoustical noise emissions : 39 dB(A) re 1pW  
 Airborne acoustical noise emission class: C  
 Built-in / Free-standing: Free-standing  
 Number of compressors: 2  
 Number of independent cooling systems: 2  
 Width of the appliance: 905 mm  
 Height: 1830 mm  
 Depth: 706 mm  
 Net weight: 153.8 kg  
 Door panel options: Not possible  
 Door hinge: Left & Right  
 Number of Adjustable Shelves in fridge compartment: 4  
 Shelves for Bottles: Yes  
 Frost free system: Fridge and freezer  
 Interior ventilator: Yes  
 Reversible Door Hinge: No  
 Length electrical supply cord: 240 cm  
 Noise level: 39 dB(A) re 1pW  
 Multi-Flow Air Tower: Yes  
 Fast cooling switch: Yes  
 Fast freezing function: Yes  
 Temperature Controlled Drawer: No  
 Humidity Control Drawer: No  
 Number of Door Bins - Refrigerator: 5  
 Door bin adjustability - Refrigerator: Yes  
 Tilt-out door bins in fridge: No  
 Gallon Storage: Yes  
 Number of Gallon storage: 2  
 Motorized Shelf: No  
 Material of the shelves: Glass, Safety glass  
 Door opened indicator freezer: Yes  
 Automatic motor-driven ice-maker: Yes  
 Fuse protection: 10 A  
 Voltage: 220-240 V  
 Frequency: 50-60 Hz  
 Storage Period in Event of Power Failure (h): 18 h  
 Door panel options: Not possible  
 Noise level: 39 dB(A) re 1pW  
 Energy Star Qualified: Yes  
 Plug type: GARDY plug w/ earthing  
 Required cutout/niche size for installation (in): x  
 Dimensions of the packed product: 77.75 x 39.29 x 31.65  
 Net weight: 339.000 lbs  
 Gross weight: 368.000 lbs



4 242005 265039

## Series 8, Multi Door American Fridge Freezer, 183 x 90.5 cm, Stainless steel KFF96PIEP

- flexible bar

### Design features

- Standard door Stainless Steel EasyClean
- Standard door  
Stainless Steel EasyClean door and chrome inox metallic side panels.
- Bright interior LED fridge light in fridge section
- Interior design with metal applications
- 3 x 7 segment
- Super Cooling: automatic deactivation
- Automatic defrost fridge
- Holiday mode - saves energy when you're away a longer period of time, Sabbath Mode
- optical, acoustic for Fridge and Freeze

### Food freshness system

- AirFreshFilter with AntiBacterial filter to reduce odours and bacteria
- MultiAirflow system - improves circulation of air around the fridge

### Key features - Fridge section

- VitaFresh pro: keeps fruit, vegetables, fish and meat fresher for longer.
- 4 safety glass shelves of which 4 are height adjustable, Dividable glass shelf 2 shelves extendable
- Dividable glass shelf
- Door shelves in fridge door: 2 large and 3 small.
- 1 dairy compartment in door
- cartridge for water filtering system
- Metal backwall
- Water dispenser: yes, direct conn.water-tap

### Dimension and installation

- Dimensions: 183 cm H x 90.5 cm W x 70.6 cm D
- 4 wheels for easier transport, 3 of them height adjustable.
- 220 - 240 V

### Key features - Freezer section

- Freezer malfunction warning signal: optical and acoustical
- Automatic ice cube maker
- 3 freezer drawers
- Freezer malfunction warning signal: optical and acoustical warning system
- Based on the results of the standard 24-hour test. Actual consumption depends on usage/position of the appliance.
- To achieve the declared energy consumption, the distanceholders have to be used. As a result, the appliance

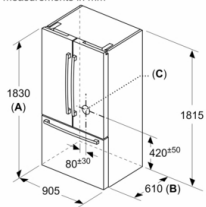
depth increases by about 3.5 cm. The appliance used without the distance holder is fully functional, but has a slightly higher energy consumption.

### Performance and Consumption

- EU19\_EEK\_D: E
- Total Volume : 573 l
- Net Fridge Volume : 402 l
- Net Freezer Volume : 171 l
- Net 4\* compartment volume : 171 l
- Freezing capacity 24h : 15 kg
- Annual Energy Consumption: 333 kWh/a
- Climate Class: SN-T
- EU19\_Fast freezer facility\_D
- Noise Level : 39 dB , EU19\_Noise emission class\_D: C

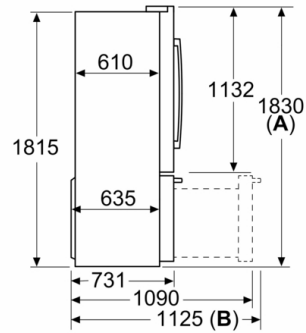
## Series 8, Multi Door American Fridge Freezer, 183 x 90.5 cm, Stainless steel KFF96PIEP

measurements in mm



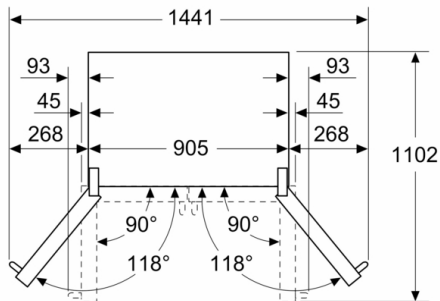
A: Front is adjustable from 1830 to 1847,  
with front levelling feet fully extended  
B: Add 25 for fixed spacers on back  
C: Water connection position

measurements in mm

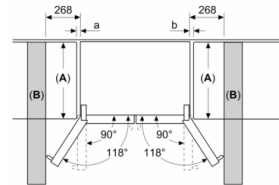


A: Front is adjustable from 1830 to 1847,  
with front levelling feet fully extended  
B: With handle

Measurements in mm



Measurements in mm



A	a	b
≤ 600	3	3
600 < A ≤ 650	45	45
650 < A ≤ 700	60	60
> 700	268	268

A: Kitchen cabinet or worktop  
depth

B: Wall  
Drawers can be pulled and taken  
out with door open to 90°