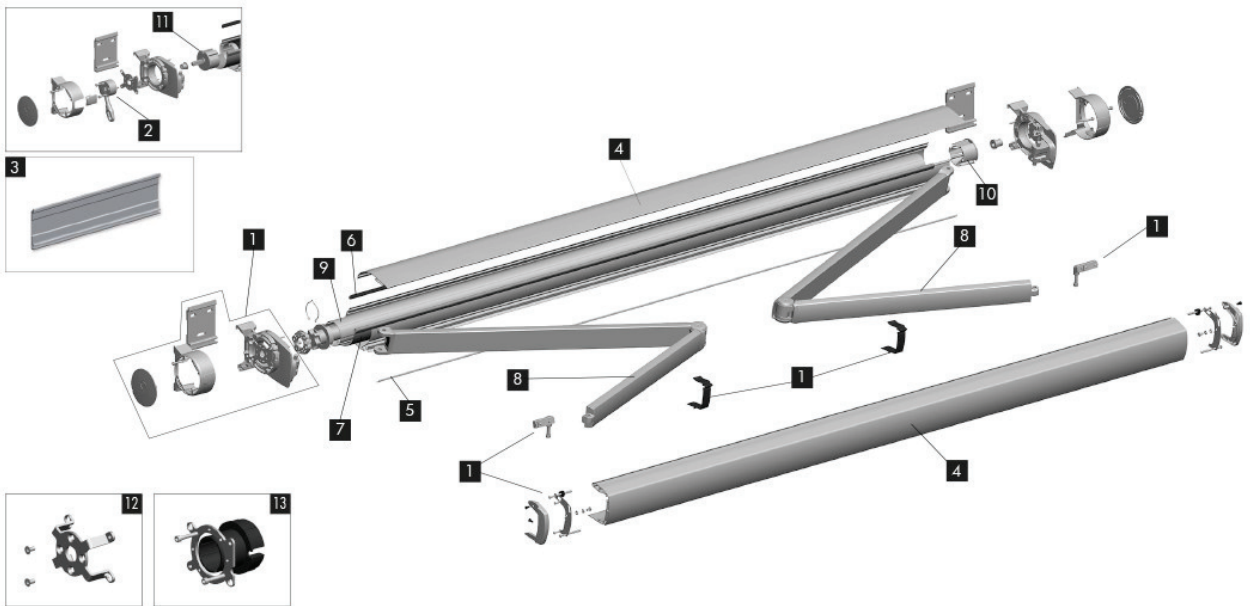




HERA S-300 INSTALLATION GUIDE



COMPONENTS AND CHARACTERISTICS

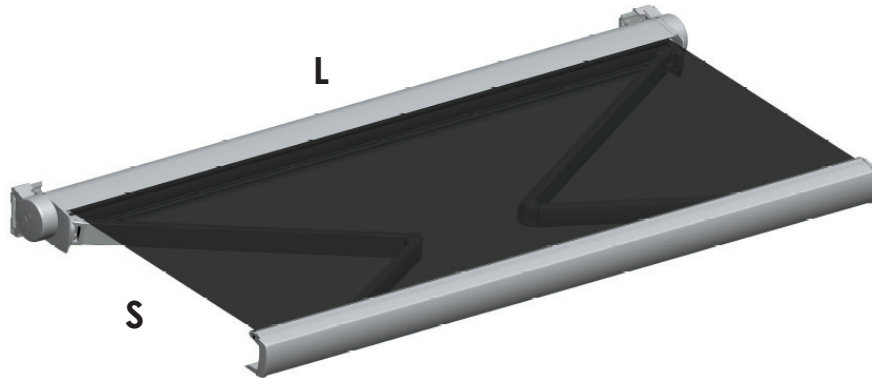


- | | | | |
|----------|---|-----------|--|
| 1 | Hera S-300 Support set | 8 | ONYX System arms |
| 2 | Gearbox | 9 | Rolling tube |
| 3 | Long Fixing Plate for cassette | 10 | Roller end bearing |
| 4 | Profiles kit | 11 | Gear end bearing |
| 5 | Diffuser LED Profile | 12 | K/mot. A-OK m.override Hera S-300 |
| 6 | Rubber buffer | 13 | K/mot. m.override Sunea CSI Hera S-300 |
| 7 | Fabric protector profile Cassette-400/MXBOX | | |





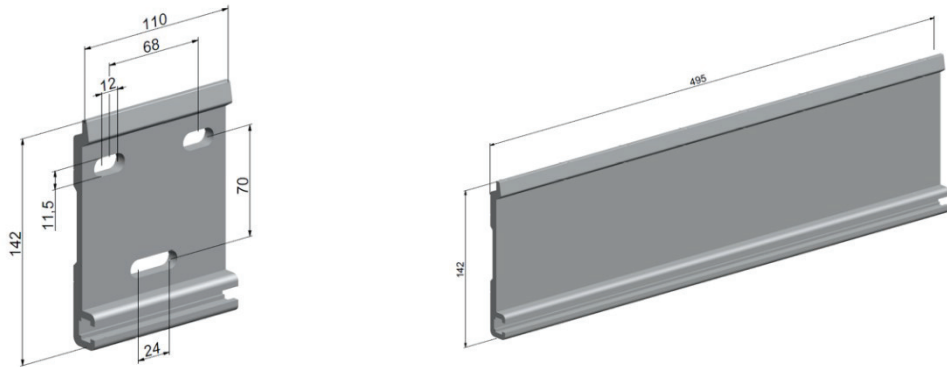
1. DEFINITION AND MAXIMUM DIMENSIONS



1.1 Maximum line. Classification according to European Standard EN 13561:2015

L MAX (m)	S MAX (m)	Wind resistance class	Water pocketing resistance class	Durability class
6.00	3.00	1	2	3

1.2 Bracket dimensions

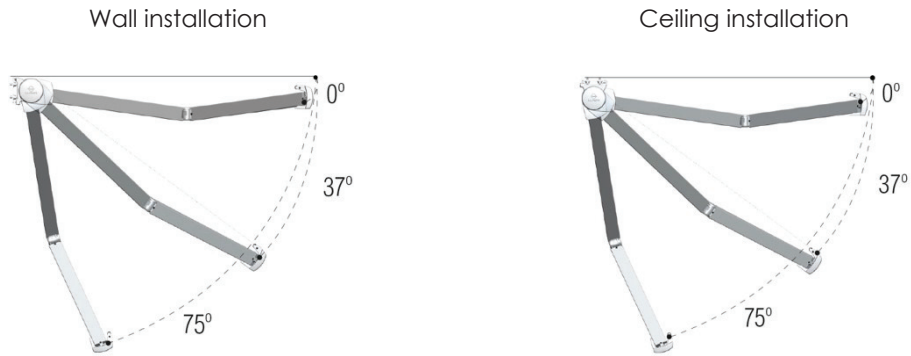


1.3 Minimum line

REACH (m)	MINIMUM LINE (m)
1.50	1.90
1.75	2.15
2.00	2.40
2.25	2.65
2.50	2.90
2.75	3.15
3.00	3.40



1.4 Tilt range: 0°- 75°



2. PROFILE AND WEAVE CUTTING CHART

	MACHINE	MOTOR
WF. LOAD BAR		L-157
WF. BOX		L-157
WF. CANOPY		L-157
WF. TARPULIN PROTECTOR (LIRA)		L-157
WF. DIFFUSER		L-157
WF. SEALING		L-157
ROLLING TUBE	L-131	L-135
FABRIC		L-192

3. MOTOR SELECTION

3.1 Hera S-300 cassette motor (Minimum torque requirement (Nm))

Ø80	Line (m)									
	2.00	2.50	3.00	3.50	4.00	4.50	5.00	5.50	6.00	
Outlet (m) 1.5	25	30	30	30	30	30	30	30	30	30
Outlet (m) 2.00		30	35	35	35	35	35	35	35	35
Outlet (m) 2.50			40	40	40	40	40	40	40	40
Outlet (m) 3.00				50	50	50	50	50	50	50

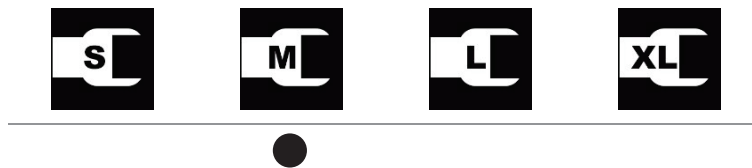
Ø70	Line (m)						
	2.00	2.50	3.00	3.50	4.00	4.50	5.00
Outlet (m) 1.5	25	25	25	25	25	25	25
Outlet (m) 2.00		30	30	30	30	30	30
Outlet (m) 2.50			35	35	35	35	35
Outlet (m) 3.00				40	40	40	40



4. MAXIMUM DIMENSIONS FOR RECOMMENDED FABRICS

Line x reach (mm)		
RECACRIL	RECACRIL	6.00 x 3.00
	RECSYSTEM	6.00 x 3.00
	Recacril DRY	5.00 x 2.50
	RECWATER	4.50 x 2.50
RECSCREEN	RecScreen 4000P – 1%	5.00 x 3.00
	RecScreen 6000 – 2%	4.50 x 2.50
	RecScreen 7000 – 3%	5.00 x 3.00
	RecScreen RAINLESS	4.50 x 2.50
PVC	RECAFLEX PRO	4.50 x 2.50

5. ARM COMPATIBILITY



The arms have a protective coloured band for identification:

GREEN: Seen from outside, right-hand side.

RED: Seen from outside, left-hand side.

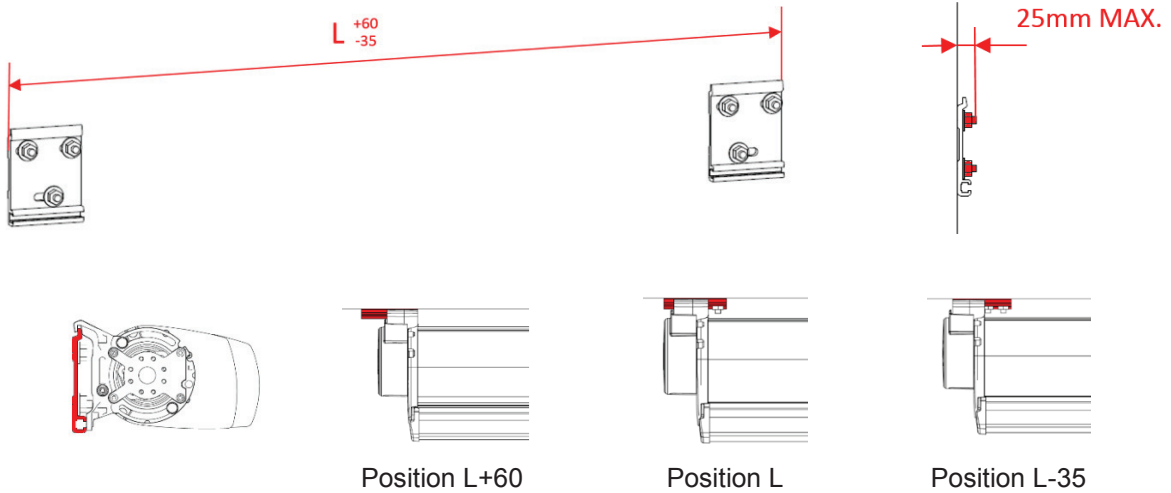


NEVER REMOVE THE TENSION SAFETY STRAPS UNTIL THE BOOM HAS BEEN SECURED TO THE LOAD PROFILE.



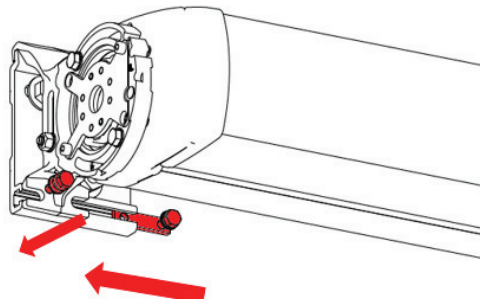
6. FACILITY

6.1 Installation of plates



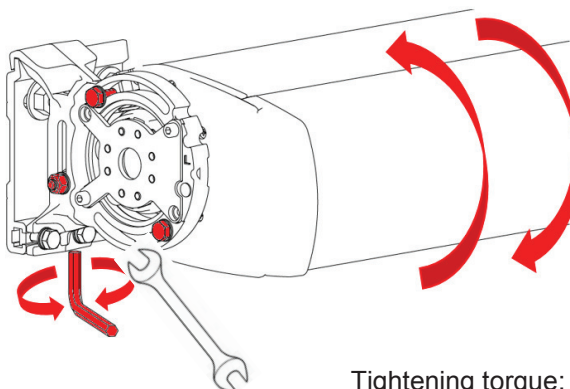
VERY IMPORTANT: During the process of hanging the cassette onto the wall/ceiling fixing plates, do not make any upward lever movements with the awning supports while they are fitted in the plate.

To correct the position of the cassette on the plates, it is necessary to lift it up and reinsert it, placing it in the correct position.



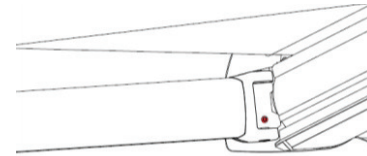
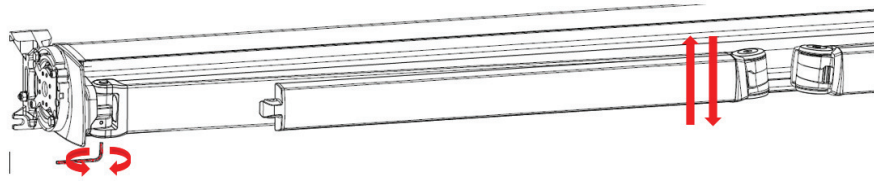
6.2 Regulations

6.2.1 Tilt adjustment



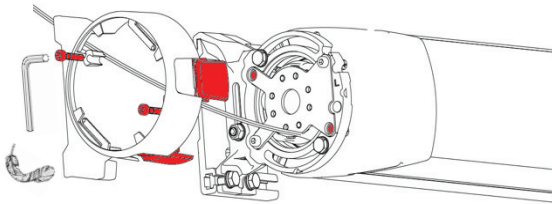


6.2.2 Elbow alignment adjustment

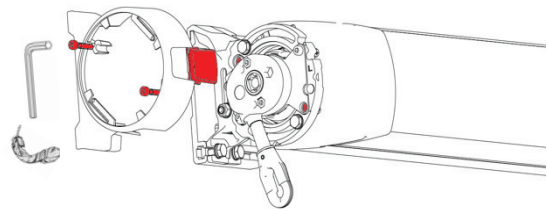


Elbow alignment lock

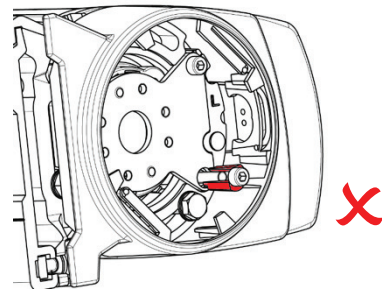
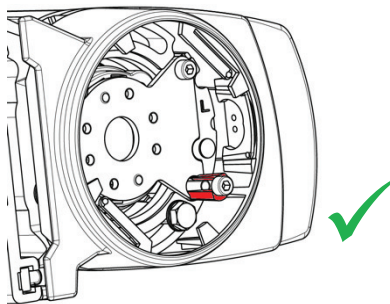
6.3 Assembly of the box side cover

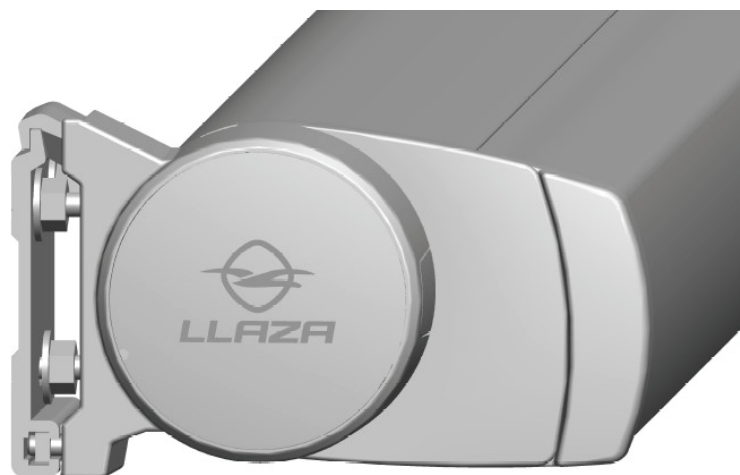
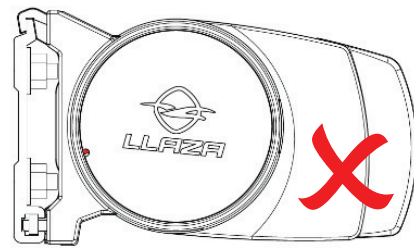
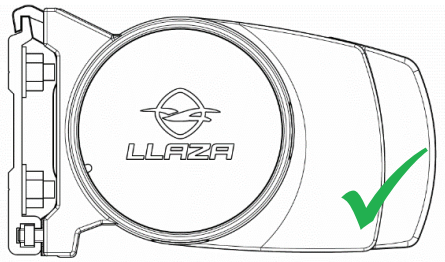
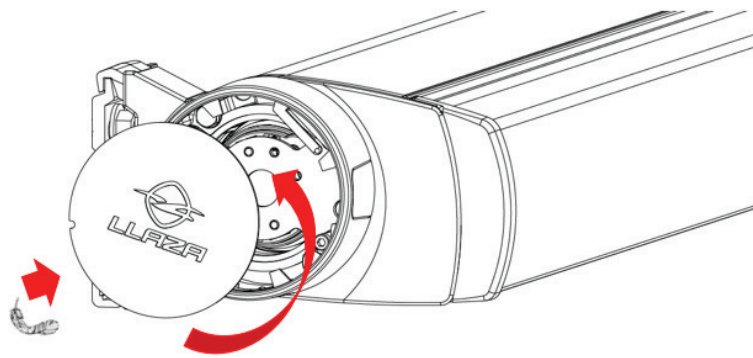


Motor configuration



Machine configuration







7. SAFETY

BASIC NOTES ON ASSEMBLY AND INSTALLATION:

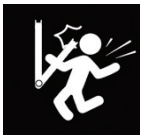
- ☒ Assembly and installation should be done by trained personnel.
- ☒ **IMPORTANT SAFETY CONSIDERATIONS:** For proper installation of the awning, the instructions for assembly and installation must be carefully followed step by step. Keep plastic bags or any other mounting pieces out of children's reach.
- ☒ Do not alter the design or the configuration of the system, nor modify the installation method without consulting the manufacturer or an authorised representative.
- ☒ If the awning is motorised and there is a switch, this should be placed so that the user does not interfere with the movement of the awning, and at a height of less than 1.3 metres when possible.
- ☒ If the awning is manually operated, it should be accessible at a height of 1.8 metres.
- ☒ If the awning is to be installed in windy areas where there are frequent blackouts, manual operation or the use of a back-up generator is recommended.
- ☒ When motorised units are inspected or repaired, always disconnect them from the power supply.

BASIC PRECAUTIONS FOR SAFE HANDLING OF THE AWNING:

- ☒ The awning must be rolled away:



- ☒ In the event of ice, if operation is particularly difficult and in the absence of safety measures, stop the operation until more favourable conditions prevail.
- ☒ During opening and closing, make sure there is no obstacle which could get in the way. **NEVER FORCE THE AWNING!** If the awning does not move at all when you try to operate it, call a professional installer.
- ☒ In the case of motorized awnings, it should be borne in mind that the motor features a thermal safety device to avoid overheating and breakdowns. This device is activated when the operating switches are pressed insistently.
- ☒ Do not submit the installation to additional loads or stresses not covered by the manufacturer's configuration. Do not interfere with the system's fixing components.
- ☒ Examine the installation if it has been subjected to adverse weather conditions, and if any repairs are needed do not use it. In such cases, a professional installer should be called.
- ☒ Keep the installation clean and in good condition. A yearly maintenance check by an authorized professional installer is recommended.



IMPORTANT SAFETY INSTRUCTIONS. The system has powerful springs inside it. In the event of poor installation, these may cause the awning to open sharply. If any irregularities are observed during opening and/or closing, call a professional installer. To avoid possible damage, do not allow children to play with the awning.



Email: costco@theolympusgroup.co.uk | Telephone: 01204 868 640