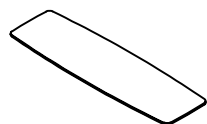
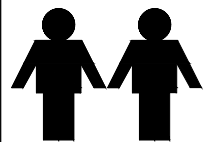
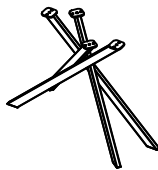


LIM010 ASSEMBLY INSTRUCTIONS



① × 1



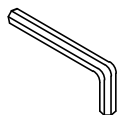
② × 2



M8 × 20
③ × 8

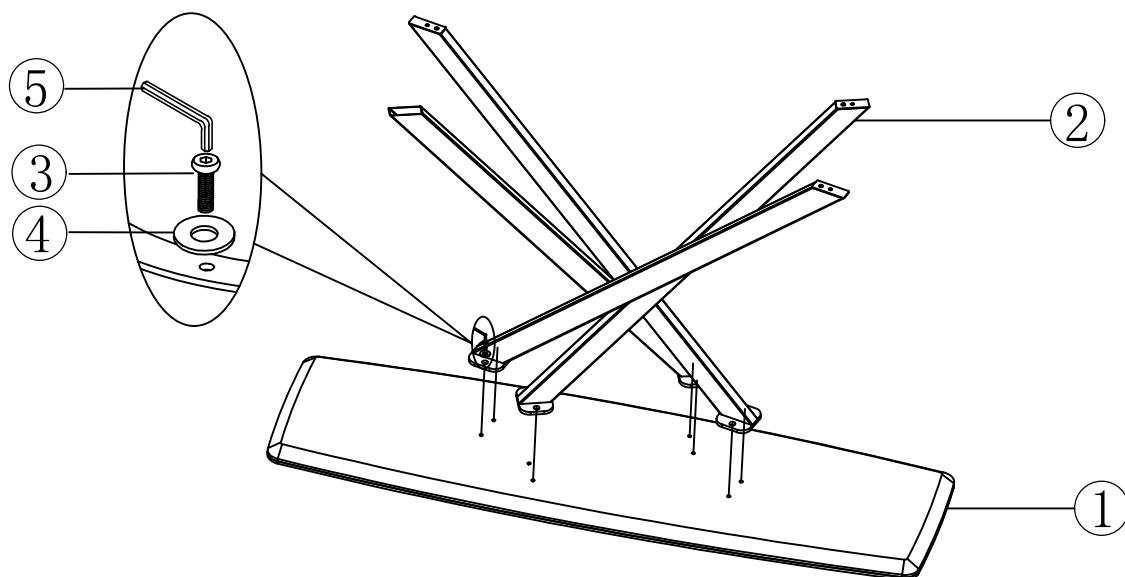


Ø17 × Ø8 × 2mm
④ × 8



#5
⑤ × 1

STEP 1



STEP 2

