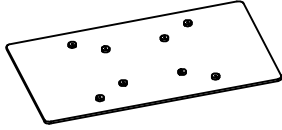
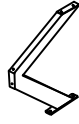


ASSEMBLY INSTRUCTION

B-4198



A x1



B x4



C x1



M6x20mm

1 x4



M6x16mm

2 x4



M6x16mm

3 x8



4#

4 x1

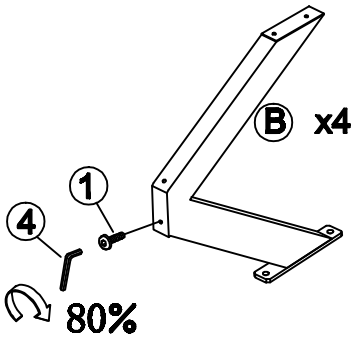


5#

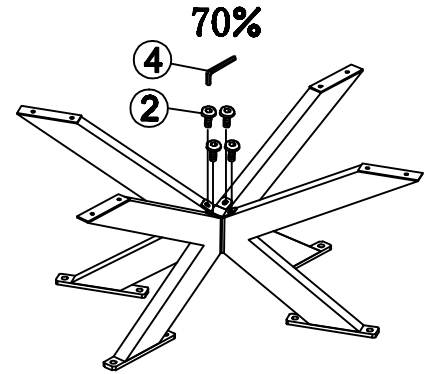
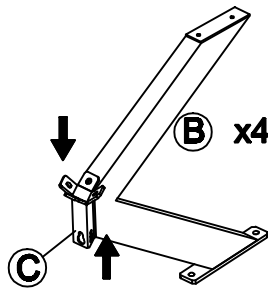
5 x1

Step 3

Step 1



Step 2



Step 5



Step 4

