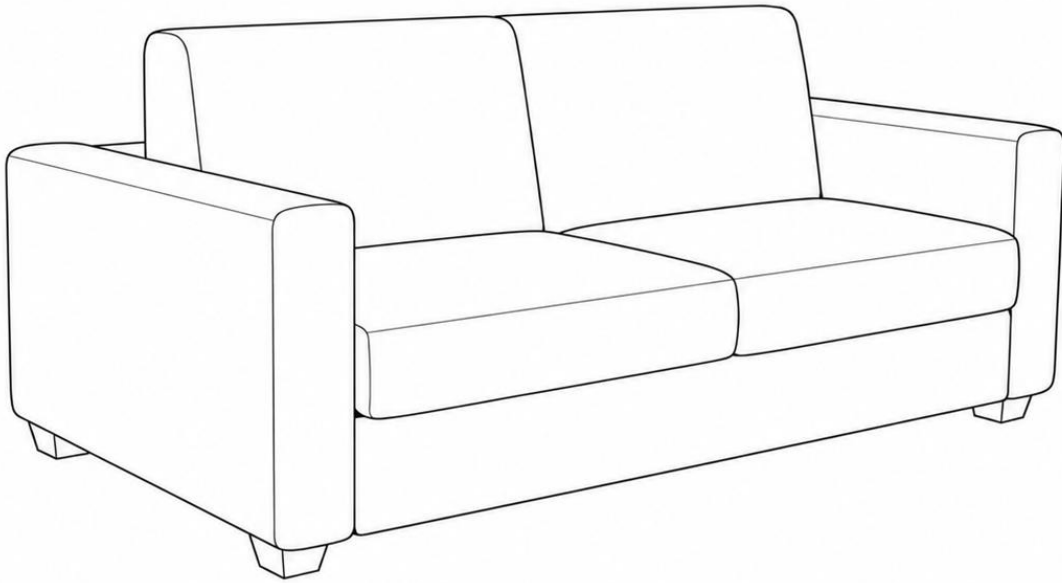
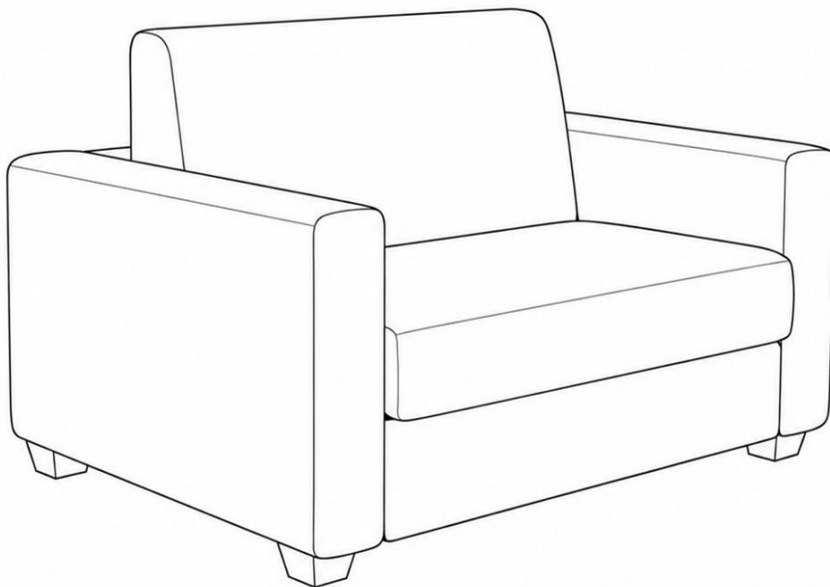


Lucas Sofa Bed



H 85cm W 194cm D 92cm

Lucas Snuggler Sofa Bed



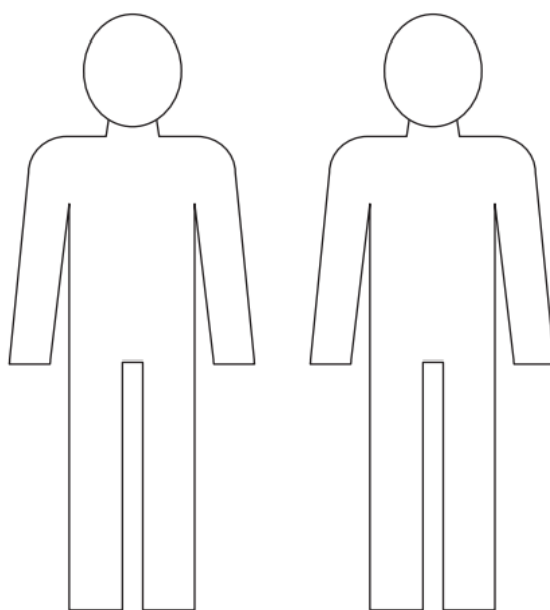
H 85cm W 128cm D 92cm

Thank you for purchasing the Lucas Sofa Bed. Please read the instructions and warnings carefully before use, to ensure safe and satisfactory operation of this product.

No tools required

Assembly time: 15 minutes

People to assemble



Important Safety Information

Warnings

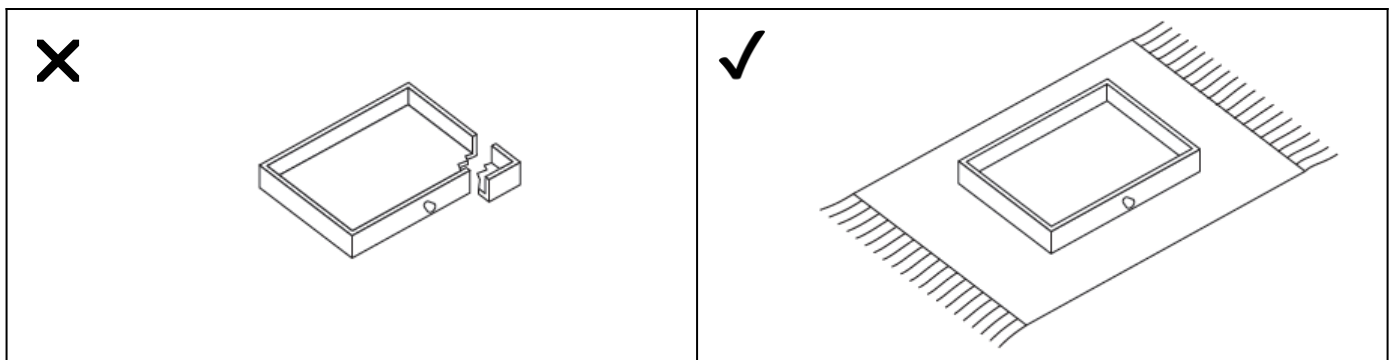
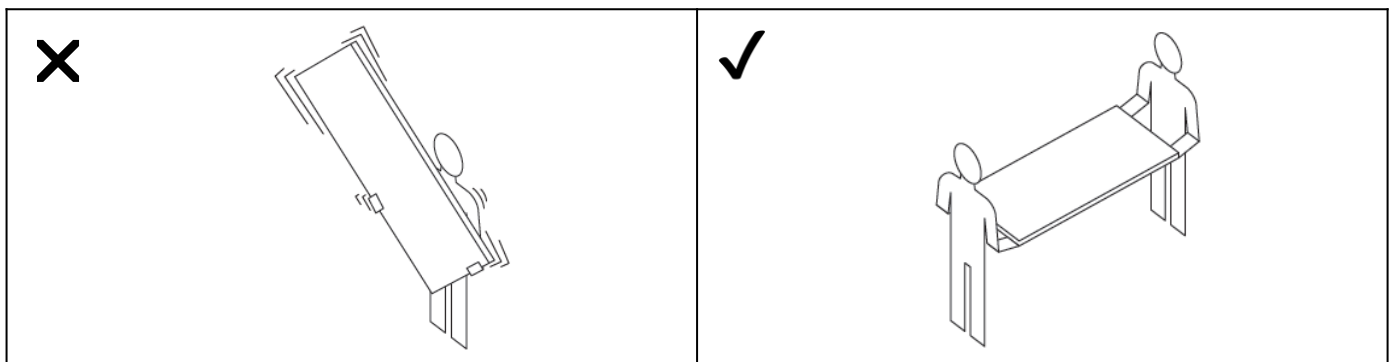
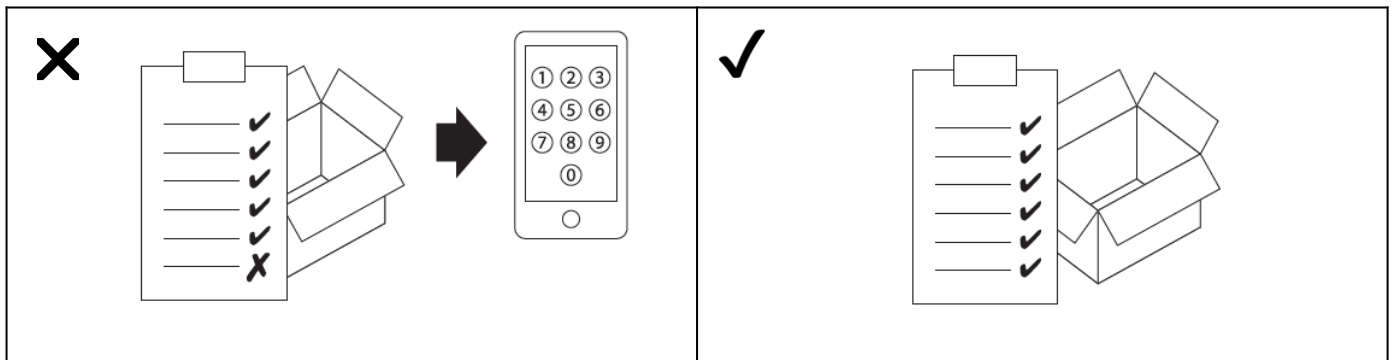
- ⚠ This product should only be used on firm, level ground.
- ⚠ Keep small parts out of reach from children.
- ⚠ Ensure the product is fully assembled as illustrated before use.

Do's

- ✓ Check the pack and make sure you have all the parts listed.
- ✓ Check all screws or bolts are tightened and inspect regularly.
- ✓ Make sure the legs remain in contact with the ground at all times.

Don'ts

- ✗ Do not over tighten screws or bolts.
- ✗ Do not stand on the product.
- ✗ Do not use power tools to construct as overtightening and panel failure may occur.

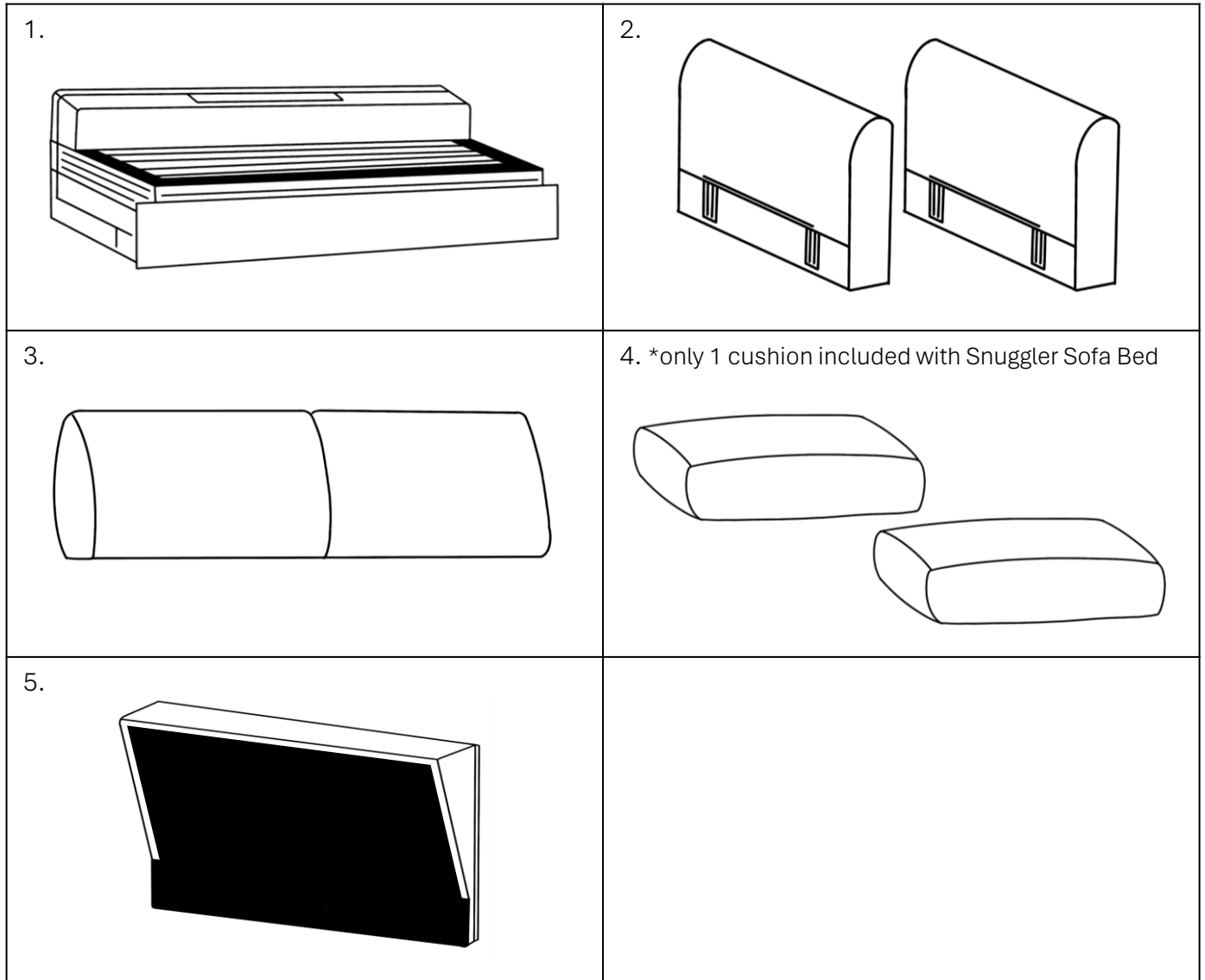


Your Sofa Bed

Pack #1 – Base/Mechanism/Mattress (Pre-Assembled)

Pack #2 – Arms (x 2)

Pack #3 – Back Cushion, Back Panel, Seat Cushions (x 1/2), Allen Key, Felt Pads (x 4)

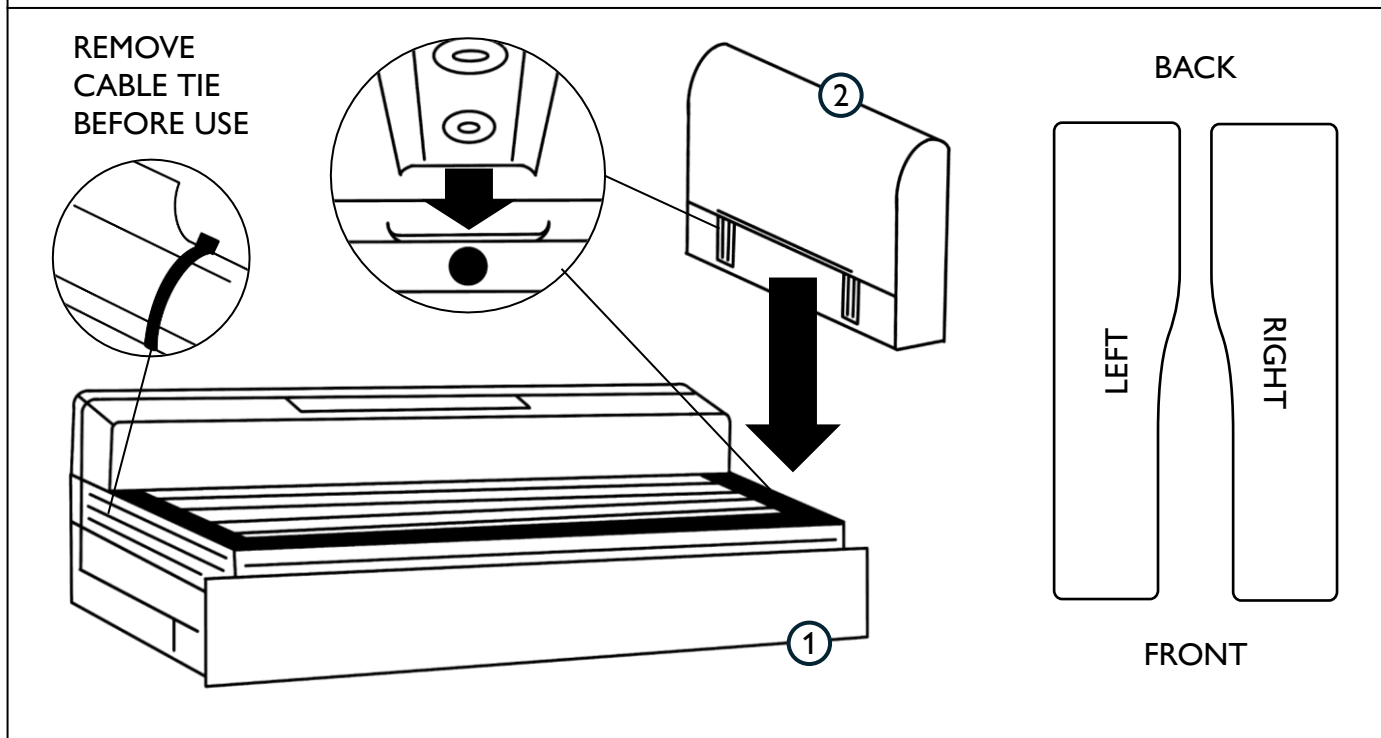


Ref	Description	Qty
1.	Base/Mechanism/Mattress	1
2.	Arms	2
3.	Back Cushion	1
4.	Seat Cushions	1 – Snuggler Sofa Bed 2 – Sofa Bed
5.	Back Panel	1

Product Assembly

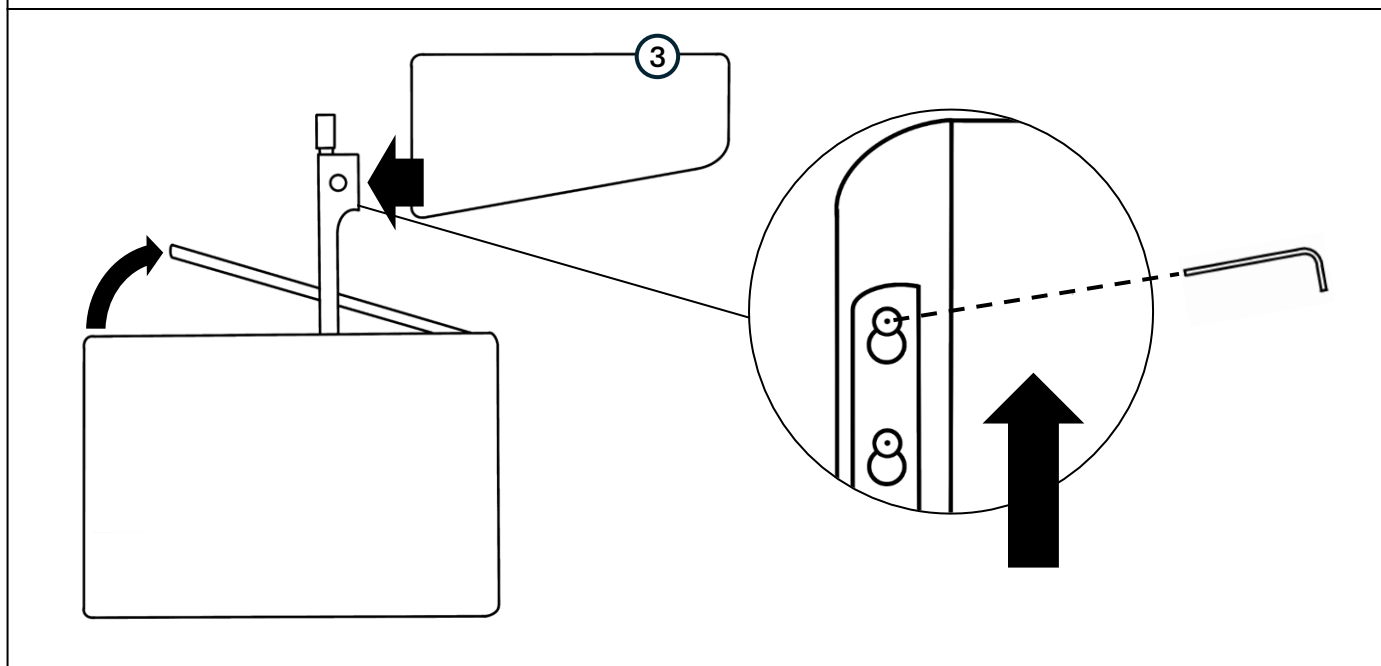
Step 1

Stand the base/mechanism/mattress on level flooring, as close as possible to the sofa bed's desired location.
Slide both arms into position using the interlocking brackets as shown.



Step 2

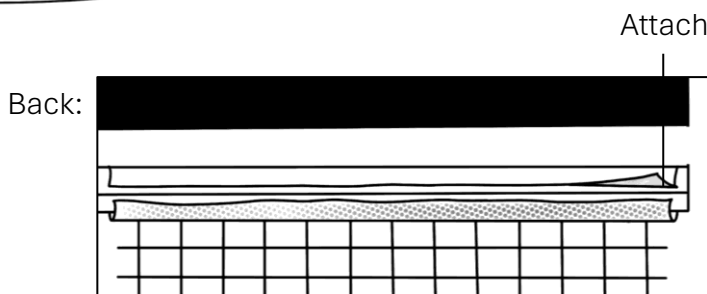
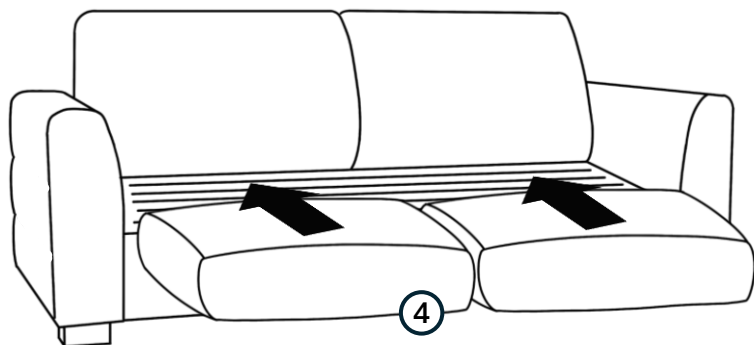
Open the mechanism part way.
Attach the back cushion by inserting the pre-fitted bolts on the base through the corresponding holes on the mechanism, lifting upwards to lock into place. Secure by tightening the bolts using the Allen key provided.



Product Assembly

Step 3

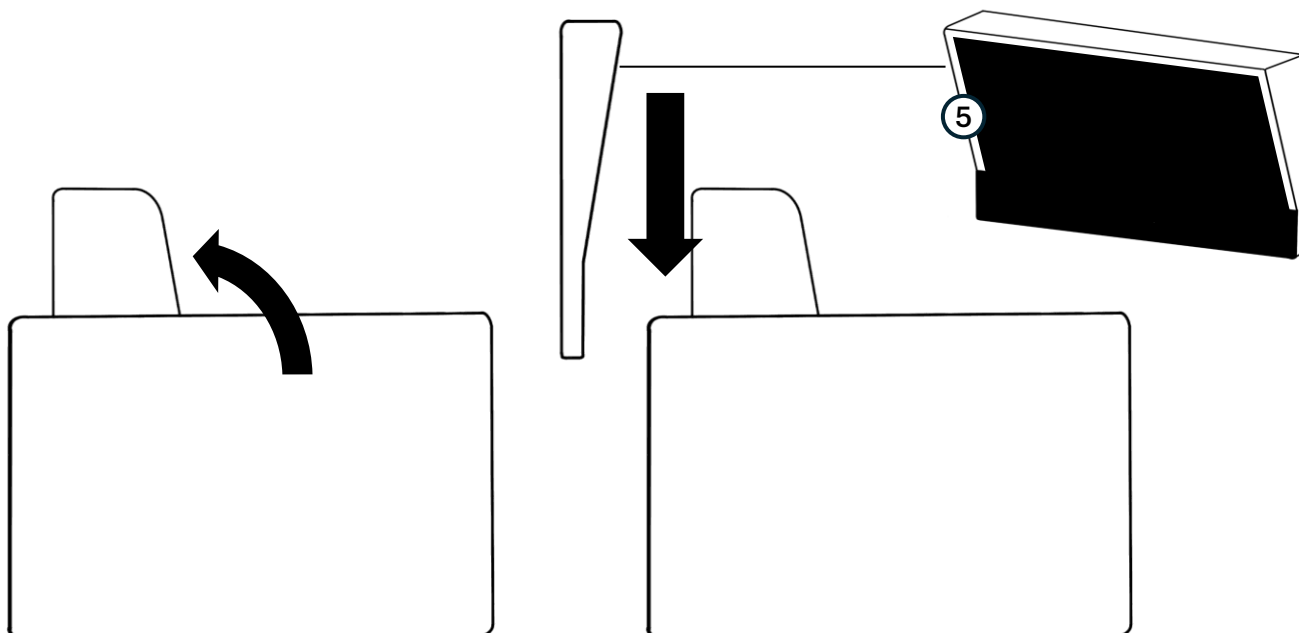
Position the seat cushions and feed the straps through. From the back of the sofa bed, wrap the straps around the mechanism's support bar and fasten securely using the zip.



Step 4

Return the back cushions into an upright position and slide the back panel into position to complete your assembly.

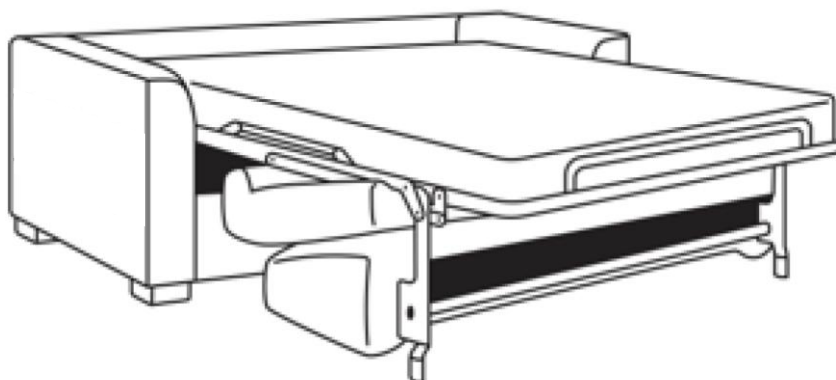
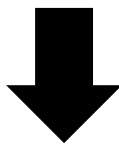
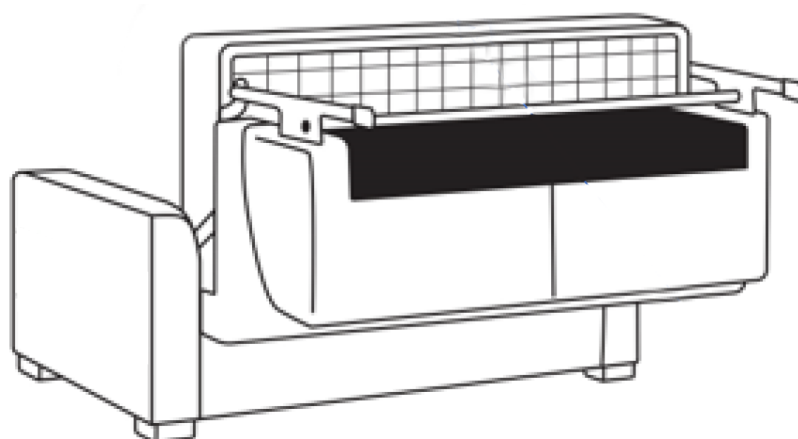
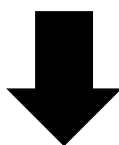
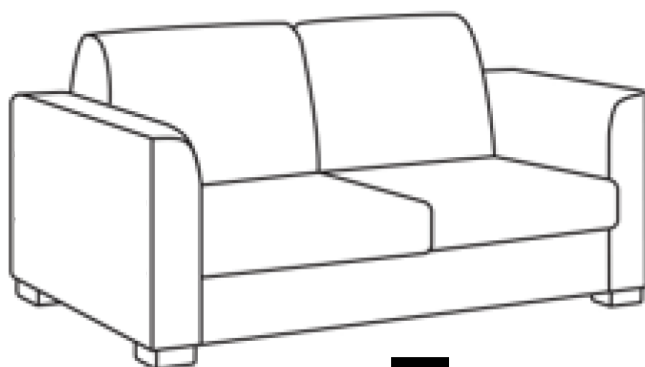
If necessary, always slide the assembled product to its desired location, as lifting may displace the arms or back panel. Always move your sofa bed with care, so as not to cause any damage to flooring.



Product Assembly

To open and use your Lucas Sofa Bed:

Simply pull the back cushions towards you, and your sofa bed will begin to unfold. Take hold of the mattress frame and continue to pull down until the frame is on the floor. This should only take a few seconds and your sofa bed is ready to use.



Care Guide

Care & Maintenance

This sofa bed should be cleaned using a soft, damp cloth and dried immediately. Do not use a very wet cloth or allow any liquid contact for a long period of time as this can permanently damage the surface. Do not use detergents and do not rub as this can cause permanent damage.

Always protect your sofa bed from direct sunlight as this may accelerate the natural on-going discolouration process. These are beautiful fabrics that will generally perform well, but it should be borne in mind that ALL pile fabrics are subject to creasing, crushing, and shading and the colour may vary dependent on the direction of the pile. This is not regarded as a complaint but a characteristic of the cloth. The sofa bed fixings including legs should be tightened regularly.

Safety Instructions

Never drag furniture when moving it. Always lift it.

Periodically check all fixings to ensure none have come loose and retighten when necessary. Please take care when handling or moving the furniture as careless handling may cause damage or injury. During assembly, children should be kept away from the product due to possible risk of injury.

Do not use this item if any components are missing or damaged. Furniture can be dangerous if incorrectly installed. Assembly should be carried out by a competent person. No liability will be accepted for damage or injury caused by incorrectly installed or assembled furniture.

It is recommended that before moving heavy objects to a new location they are completely disassembled to avoid personal injury or damage to the furniture. Please be careful to retain all fittings when doing this.

This product complies with BS EN 12520:2018 Furniture. Strength, durability & safety. Requirement for domestic seating.

This product complies with BS EN 1725:1998 Domestic furniture - Beds and mattress safety requirement & test methods.

This product complies with BS EN 13759:2012 Furniture. Operating mechanisms for seating and sofa-beds.

Please retain these instructions for future reference.