

PLEASE READ this sheet prior to assembly to familiarise yourself with the various stages of construction. Carefully open the pack supplied and check the contents against the parts and fittings check list.

Do not destroy any of the packaging until you are certain that you have all the necessary parts for the assembly.

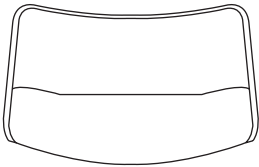
Please ensure that the packaging is disposed of in a safe and environmentally friendly way.

CAUTION: There are small components used in the construction of this unit. These loose items should be kept away from young children whilst assembling your unit to avoid the danger of choking hazards.

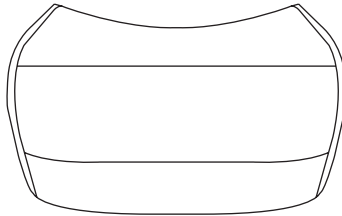
VISUAL IDENTIFICATION & FITTINGS

ITEM	DESCRIPTION	QTY
A	BACKREST	1
B	SEAT SECTION	1
C		1
D		3

A



B



C



D



FITTINGS CHECKLIST

Code	Description	Qty	Code	Description	Qty	Code	Description	Qty
------	-------------	-----	------	-------------	-----	------	-------------	-----

THERE ARE NO FITTINGS FOR THIS ITEM

TOOLS REQUIRED

THERE ARE NO TOOLS REQUIRED FOR THIS ITEM

CARE & MAINTAINANCE

For Care & Maintenance information please refer to the attached leaflets.



Please retain your assembly instruction for future use.



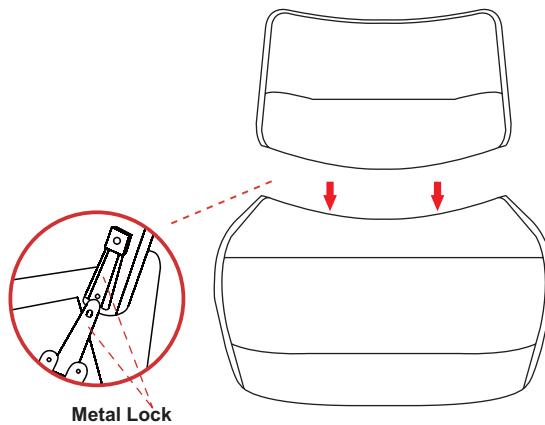
This assembly requires two people.

Ensure your area is clear from any unnecessary packaging and you have enough space to lay out the parts before assembly.

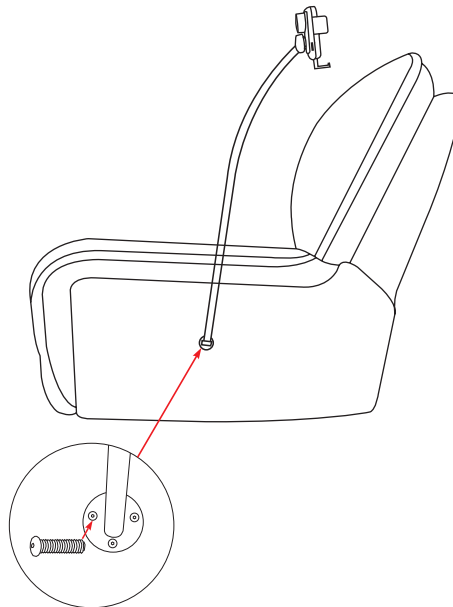
Step 1

Move sleeves over uprights and clic securely into place.

Once done secure the velcro to the frame.



Step 2



CAUTION:

DO NOT ALLOW CHILDREN TO PLAY WITH THIS MECHANIZED FURNITURE OR OPERATE THE MECHANISM. KEEP HANDS AND FEET CLEAR OF THE MECHANISM ONLY OCCUPANT SHOULD OPERATE IT.



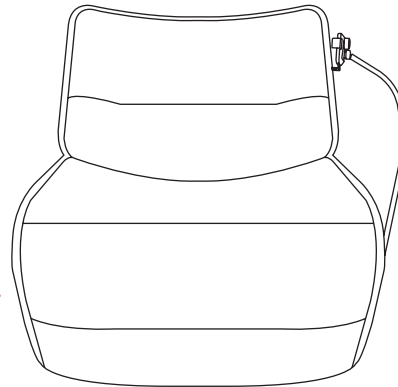
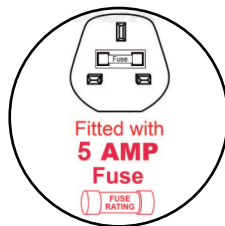
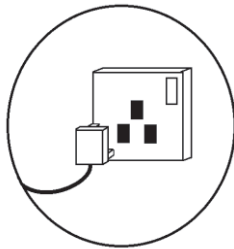
Please retain your assembly instruction for future use.



This assembly requires two people.

Ensure your area is clear from any unnecessary packaging and you have enough space to lay out the parts before assembly.

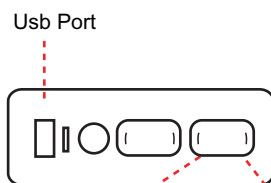
Step 3



WARNING

Before connecting to power supply ensure all cables and transformers are free from moving parts.

Step 4



Footrest To Retract

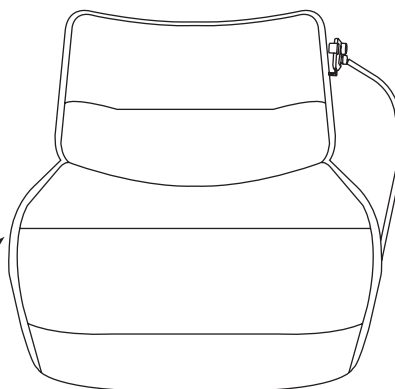
Footrest To Recliner

To Retract

Press the rear button found on the side of the sofa until the footrest returns to the closed position.

To Recline

Press the front button found on the side of the sofa. The footrest will extend out. Keep the button pressed until it reaches the desired position.



CAUTION:

DO NOT ALLOW CHILDREN TO PLAY WITH THIS MECHANIZED FURNITURE OR OPERATE THE MECHANISM. KEEP HANDS AND FEET CLEAR OF THE MECHANISM ONLY OCCUPANT SHOULD OPERATE IT.