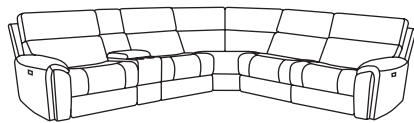


# 51871M

CORNER GROUP WITH  
CONSOLE ELECTRIC

1 CORNER 2 POWER WITH CONSOLE

## Assembly



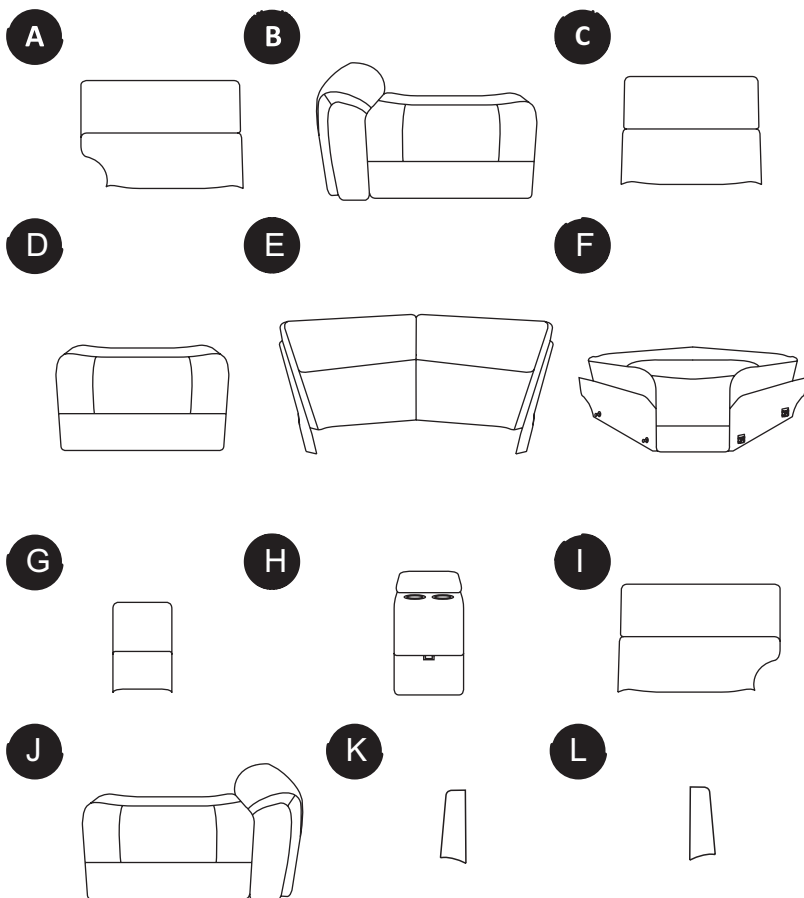
PLEASE READ this sheet prior to assembly to familiarise yourself with the various stages of construction. Carefully open the pack supplied and check the contents against the parts and fittings check list.

Do not destroy any of the packaging until you are certain that you have all the necessary parts for the assembly.

Please ensure that the packaging is disposed of in a safe and environmentally friendly way.

**CAUTION:** There are small components used in the construction of this unit. These loose items should be kept away from young children whilst assembling your unit to avoid the danger of choking hazards.

### VISUAL IDENTIFICATION & FITTINGS



ITEM	DESCRIPTION	QTY
A	LEFT BACKREST	1
B	LEFT SEAT SECTION	1
C	MIDDLE BACKREST	2
D	MIDDLE SEAT SECTION	2
E	CORNER BACKREST	1
F	CORNERSEAT SECTION	1
G	CONSOLE BACKREST	1
H	CONSOLE SEAT SECTION	1
I	RIGHT BACKREST	1
J	RIGHT SEAT SECTION	1
K	RIGHT UPHOLSTER WING	1
L	LEFT UPHOLSTER WING	1

### FITTINGS CHECKLIST

Code	Description	Qty	Code	Description	Qty	Code	Description	Qty
------	-------------	-----	------	-------------	-----	------	-------------	-----

THERE ARE NO FITTINGS FOR THIS ITEM

### TOOLS REQUIRED

THERE ARE NO TOOLS REQUIRED FOR THIS ITEM

### CARE & MAINTAINANCE

For Care & Maintenance information please refer to the attached leaflets.



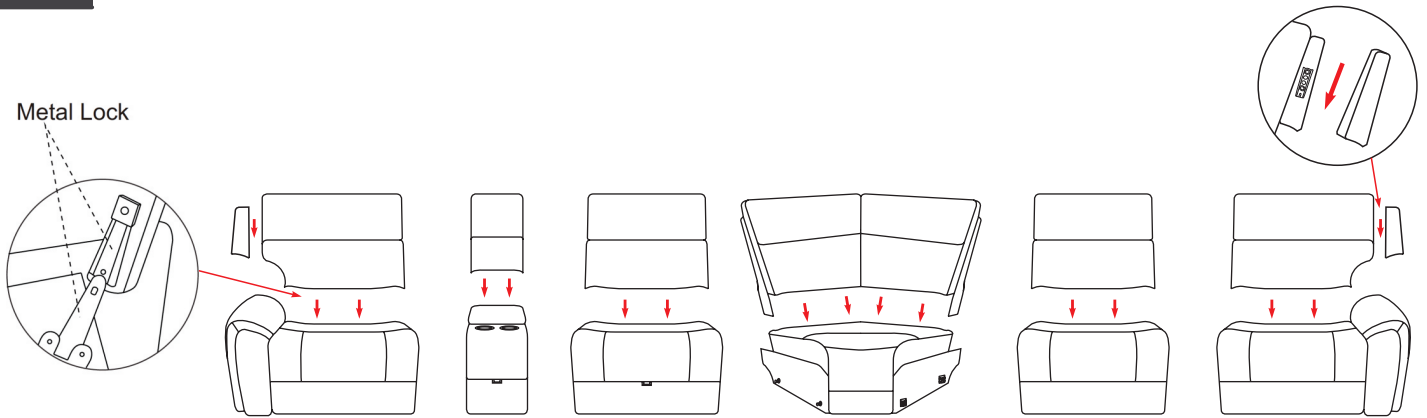
Please retain your assembly instruction for future use.



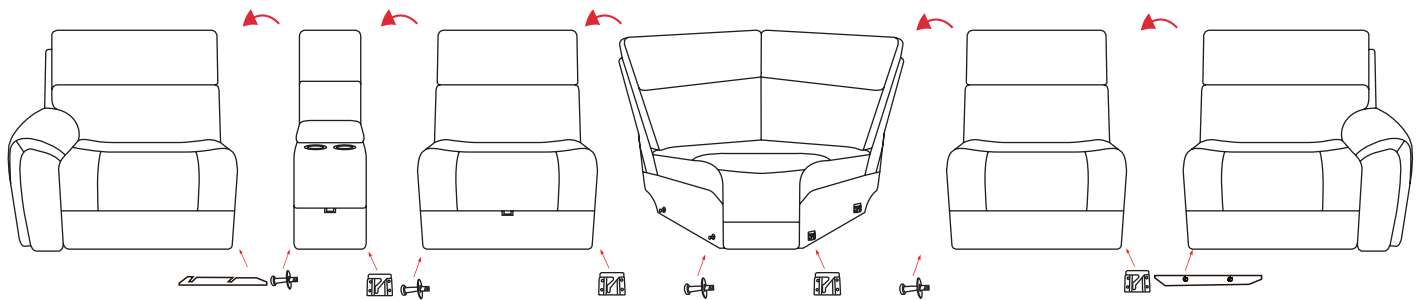
This assembly requires two people.

Ensure your area is clear from any unnecessary packaging and you have enough space to lay out the parts before assembly.

### Step 1



### Step 2



Ensure both pins are securely located into the slots.



## CAUTION:

**DO NOT ALLOW CHILDREN TO PLAY WITH MOTION FURNITURE OR OPERATE MOVING PARTS UNATTENDED. USERS SHOULD ALWAYS OPERATE WITH CARE AND FOR OTHERS AROUND THE FURNITURE**



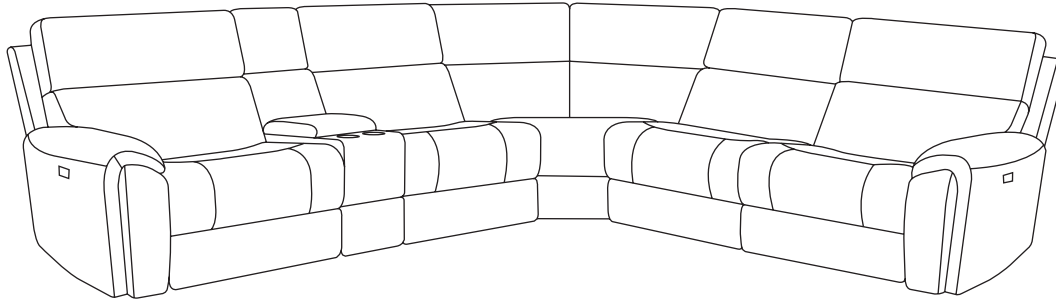
Please retain your assembly instruction for future use.



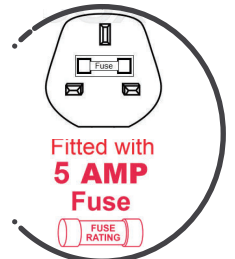
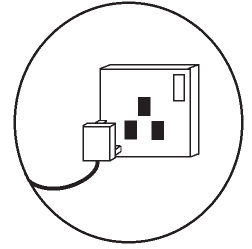
This assembly requires two people.

Ensure your area is clear from any unnecessary packaging and you have enough space to lay out the parts before assembly.

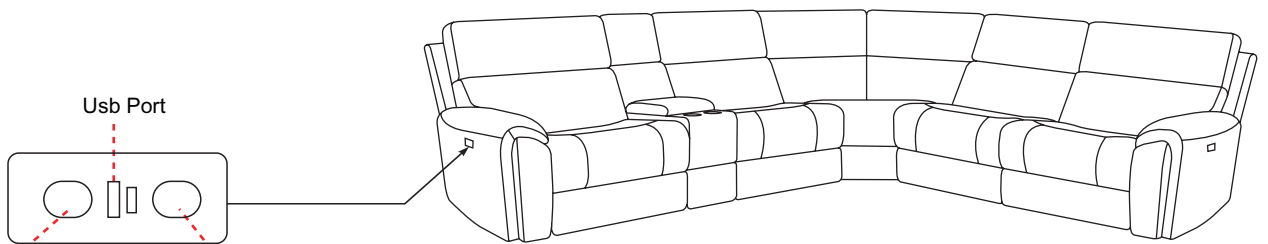
Step 3



WARNING



Operating Instructions



To Retract

Press the rear button found on the side of the sofa until the footrest returns to the closed position.

To Recline

Press the front button found on the side of the sofa. The footrest will extend out. Keep the button pressed until it reaches the desired position.



**CAUTION:**

**DO NOT ALLOW CHILDREN TO PLAY WITH MOTION FURNITURE OR OPERATE MOVING PARTS UNATTENDED. USERS SHOULD ALWAYS OPERATE WITH CARE AND FOR OTHERS AROUND THE FURNITURE**