

*get started*

**INSTANT™ VORTEX™ PLUS  
5.7L WITH CLEARCOOK**

AND

**INSTANT™ VORTEX™ PLUS  
5.7L WITH CLEARCOOK AND  
ODOURERASE**

USER MANUALS

**Instant™**

# Welcome

to your new Instant™ Vortex™ Plus!

This Instant Vortex Plus Air Fryer can help you cook delicious meals with less oil and less hassle. We hope you fall in love with Instant air frying and enjoy it in your kitchen for years to come!

**Get started with your new Vortex Plus with ClearCook!**



**Get started with your new Vortex Plus with ClearCook and OdourErase!**



## **⚠️ WARNING**

Before using your new Vortex Plus, read all instructions, including the Safety Instructions and the Warranty. Failure to follow the safeguards and instructions may result in personal injury and/or property damage.

## **CONTENTS**

Important safeguards	5
What's in the box	10
Using your Vortex™ Plus	11
Initial setup	14
Cooking	16
Smart Programmes	18
Cleaning	21
Troubleshooting	23
Error Codes	24
Learn more	25
Warranty	26

**INSTANT™**

VORTEX™ PLUS AIR FRYER

---

## **Safety Instructions**

At Instant, we want you to feel comfortable using our products. This Instant Vortex Plus Air Fryer was designed with your safety in mind.

*When using electrical appliances, you should always follow basic safety precautions to reduce the risk of electric shock or other personal injury, fire and/or property damage.*

**Read all instructions before using and only use this appliance as described in the in-box materials. Failure to follow these safeguards and instructions may result in personal injury and/or property damage and can void your warranty.**



# IMPORTANT SAFEGUARDS

## ⚠️ WARNING

### READ ALL INSTRUCTIONS

#### Placement

**DO** place the appliance on a countertop only. Always operate the appliance on a stable, non-combustible, level surface.

**DO NOT** place the appliance on or close to a hot gas or electric burner, or a heated oven.

**DO NOT** use the appliance near water or flame.

**DO NOT** use outdoors. Keep out of direct sunlight.

**DO NOT** place on anything that may block the vents on the appliance.

**DO** make sure all parts are dry and free of food debris before use.

#### General Use

**DO NOT** touch the appliance's hot surfaces, or any accessories during or immediately after cooking because they will be hot.

**DO** use the appliance's handles and knobs.

**DO** use oven mitts when removing accessories.

**DO** place hot accessories on a heat-resistant surface or cooking plate.

**DO NOT** cover the cooking tray or any part of the oven with foil. This will cause the oven to overheat.

**DO NOT** move the appliance while it is in use.

## **⚠ WARNING**

**DO NOT** allow children or persons with reduced physical, sensory or mental capabilities to operate this appliance. Close supervision is necessary when any appliance is used near children and individuals with reduced capabilities. Children should not play with this appliance.

**DO NOT** use the appliance for anything other than household use. It is not intended for commercial use.

**DO NOT** leave the appliance unattended while in use.

**DO NOT** use the appliance for more than 60 minutes in a 2-hour period.

### **Air Frying Cautions**

When the air fryer is in operation, hot air is released through the air vents. Keep your hands and face at a safe distance from the air vents and take extreme caution when removing hot accessories from the appliance. Failure to do so may result in personal injury or property damage.

While cooking, the internal temperature of the appliance reaches several hundred degrees. To avoid personal injury, never place unprotected hands inside the appliance until it has cooled to room temperature.

**DO NOT** use a ceramic-coated or stoneware pot for air frying.

**DO NOT** block the vents on the air fryer. Leave at least 13 cm of space around the air fryer when in use.

**DO NOT** place the appliance on a hot stove.

**DO NOT** operate the appliance on or near combustible materials such as tablecloths and curtains.

**DO NOT** cover the air vents while the air fryer is in operation. Doing so will prevent even cooking and may cause damage to the appliance.

## **⚠ WARNING**

**DO NOT** overfill the air fryer. Overfilling may cause food to contact the heating element, which may result in personal injury, fire, and/or property damage.

**DO NOT** pour oil into the cooking container. If needed, spray food lightly with non-stick cooking spray. Using cooking oil could result in personal injury and/or property damage.

**DO** use caution with cooking containers made of materials other than metal or glass. Failure to do so may result in personal injury, fire and/or property damage.

Should the unit emit black smoke during use, press **Cancel** and unplug the appliance immediately. Wait for smoking to stop before opening the door/basket, then clean thoroughly. For further information refer to 'Troubleshooting' in this User Manual.

**DO** use extreme caution when moving the appliance containing oils or other hot liquids.

**DO** use extreme caution when removing the tray or disposing of hot grease.

**DO NOT** use this appliance for deep frying foods.

### **Accessories**

**DO** use only accessories or attachments authorised by Instant Brands LLC. The use of parts, accessories or attachments not recommended by the manufacturer may cause a risk of electric shock or other personal injury, fire, and/or property damage.

**DO NOT** use the included accessories in a microwave, toaster oven, convection or conventional oven, or on a ceramic cooktop, electric coil, gas range or outdoor grill.

## **⚠ WARNING**

### **Care and Storage**

**DO** let the appliance cool to room temperature before cleaning or storage.

**DO NOT** store any materials in the appliance when not in use.

**DO NOT** place any combustible materials in the appliance, such as paper, cardboard, plastic, Styrofoam or wood.

**DO NOT** clean the appliance with metal scouring pads or steel wool. Pieces can break off and touch the electrical parts, causing a risk of electric shock, burns or other personal injury.

### **Power Cord**

A short power-supply cord is provided to reduce the hazards resulting from grabbing, entanglement and tripping. This appliance has a 3-prong earthed plug. To reduce the risk of electric shock:

**ONLY** plug the power cord into an earthed electrical outlet.

**DO NOT** remove EARTH.

**DO NOT** let the power cord hang over edges of tables or counters, or touch hot surfaces or open flame, including the stovetop.

**DO NOT** use below-counter power outlets.

**DO NOT** use with extension cords, power converters or adapters, timer switches or separate remote-control systems.

### **Electrical Cautions**

The appliance contains electrical components that are an electrical shock hazard. Failure to follow these instructions may result in electric shock and/or death.

#### **To avoid electrical shock:**

Disconnect, select **Cancel**, then remove plug from power source. Always unplug when not in use, as well as before adding or removing parts or accessories, and before cleaning. To unplug, grasp the plug and pull from the outlet. Never pull from the power cord.

## **⚠ WARNING**

**DO** allow unit to cool before adding or removing parts or accessories.

**DO** regularly inspect the appliance and power cord.

**DO NOT** operate the appliance if the power cord or plug is damaged, or after the appliance malfunctions or is dropped or damaged in any manner. For assistance, contact Customer Care by email at **UKSupport@instantbrands.com** (if located in the UK) or **EUSupport@instantbrands.com** (if located in the EU).

**DO NOT** attempt to dislodge food while the appliance is plugged into an electrical outlet, as this may cause electric shock, burns, or other personal injury, and/or property damage.

**DO NOT** attempt to repair, replace or modify components of the appliance, as this may cause electric shock or other personal injury, fire and/or property damage, and will void the warranty.

**DO NOT** tamper with any of the safety mechanisms, as this may result in personal injury and/or property damage.

**DO NOT** immerse power cord, plug or the appliance in water or other liquid.

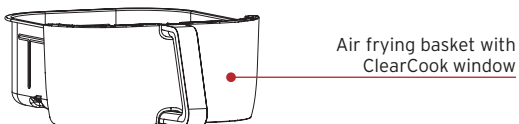
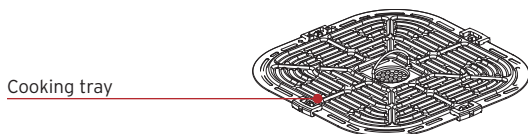
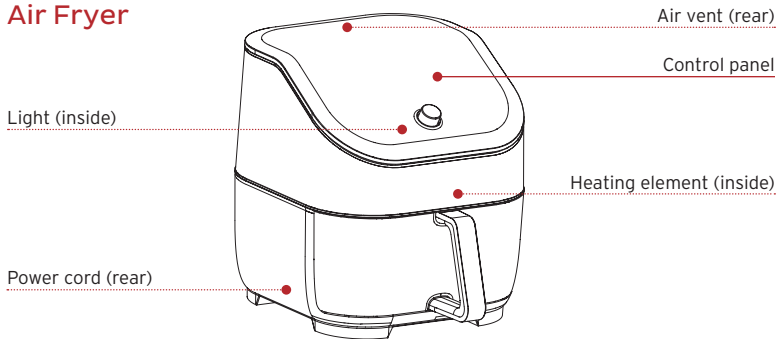
**DO NOT** rinse the appliance under tap.

**DO NOT** use the appliance in electrical systems other than 220-240 V ~50/60 Hz.

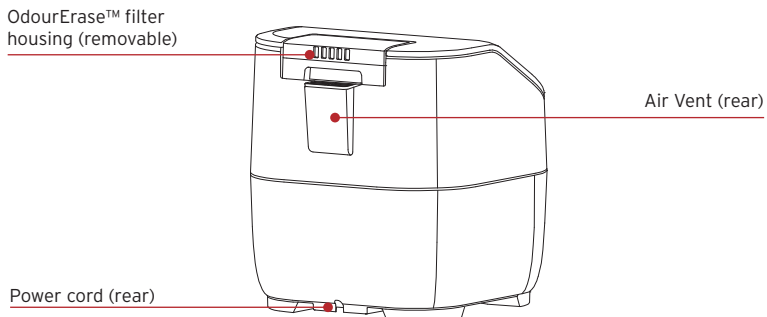
# **SAVE THESE INSTRUCTIONS**

## WHAT'S IN THE BOX

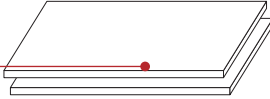
### Air Fryer



### For OdourErase Model



2x OdourErase™ filters  
(pre-installed, inside)

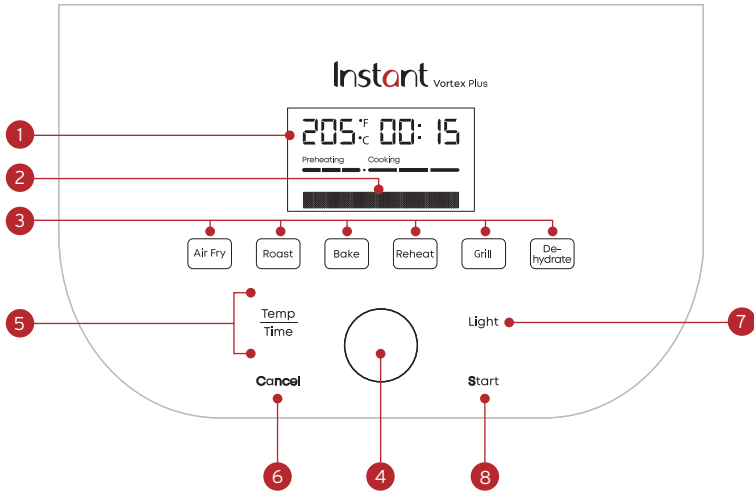


*Illustrations are for reference only and may differ from the actual product.*

## USING YOUR VORTEX™ PLUS

### Control panel

We've designed the control panel to be simple to use and easy to read.



1. Time/Temperature
  - Cooking time
  - Cooking temperature
2. LCD message bar: showing cooking status and reminder message
3. Smart Programmes
  - Air Fry
  - Roast
  - Bake
  - Reheat
  - Grill
  - Dehydrate
4. Control Dial
  - Used to select time and temperature
5. Temperature and time
6. Cancel
7. Light
  - Turn on or off the internal cooking light
8. Start

## Turning cooking light On/Off

- To turn the light on, press **Light**.
- To turn the light off, press **Light** again. The cooking light cannot be turned off in the last 60 seconds of a cooking programme.

## Turning sound On/Off

- While in Standby mode, press and hold **Temp/Time** and **Light** for 5 seconds, until the display shows **Sound Off** or **Sound On**.

*Audible safety alerts (beeps) cannot be turned off.*

## Choosing temperature unit

Choose which cooking temperature unit you would like to use, Fahrenheit or Celsius.

- While in Standby mode, press and hold **Temp/Time** for 5 seconds, until display shows °F or °C.

## Save custom settings

You can set and save custom time and temperature settings for any of the six *Smart Programmes*.

1. Select the Smart Programme you want to set.
2. Press **Temp/Time** button and use the Control Dial to change the temperature or time.
3. Press **Start** button to confirm change.

*The next time you use that Smart Programme the new temperature or time is used. Adjustments made after cooking begins are not saved.*

## Reset Smart Programmes to original settings

### Reset individual Smart Programmes

- With the cooker in Standby mode, press and hold one of the Smart Programme buttons until the cooker returns to Standby.

### Reset all Smart Programmes

- With the cooker in Standby mode, press and hold the **Control Dial** until the cooker beeps.

*All Smart Programme cooking times and temperatures are restored to the factory default setting.*

### Cancel active cooking programme

You can cancel any cooking programme at any time.

- While in Standby, Preheating or active cooking programme, press **Cancel**. Depending on the temperature of the unit, the internal fan may keep running to cool the unit.

## INITIAL SETUP

### Unpack

1. Remove your new Vortex™ Plus from the box.
2. Remove all the packaging material from in and around the air fryer.
3. Make sure to remove all the accessories from inside the cooking chamber.
4. Don't remove the safety warning stickers or the rating label from the air fryer.

### Clean before use

1. Wipe the interior with a damp cloth. Use a clean, soft cloth to dry.
2. Wash the accessories with hot water and dish soap. Rinse with warm, clear water and use a soft cloth to dry.

### Placement

1. Place your Vortex Plus on a stable, level surface, away from combustible material and external heat sources. Do not place your Vortex Plus on top of another appliance.
2. Make sure to leave at least 13 cm of space above and around all sides of the appliance to allow for sufficient air flow.

## Test run

Before using your new Instant Vortex™ Plus for the first time, you must perform a test run to ensure everything is working correctly.

### To perform a test run:

1. Follow the instructions for cooking on page 14.
2. Insert the cooking basket, but do not add food.
3. Select the Air Fry programme.
4. Select the cooking temperature (205°C).
5. Select the cooking time (18 minutes).
6. When the display shows **Add Food**, just remove and reinsert the cooking basket (do not add any food).
7. When the display shows **Turn Food**, wait 10 seconds for the programme to resume.
8. After the cooking programme ends, allow the unit to cool down.

*Now you're ready to cook a meal in your Instant Vortex Plus!*

## COOKING

The Vortex™ Plus uses rapid air circulation to crisp or cook food, giving your meals all the rich, crispy flavours of deep frying, with little to no oil.

### **⚠ WARNING**

#### **HOT SURFACES**

The air fryer oven will be hot during and after cooking. Always exercise extreme caution when removing food from the hot cooking chamber. Touching hot surfaces may result in personal injury, and/or property damage.

#### **MUST ALLOW AIR FLOW**

To prevent personal injury, and/or property damage, do not block air intake or air vents.

### What to cook in

The cooking basket with cooking tray is perforated to allow air to flow under and around your food, and should be used for most foods, like wings and cauliflower bites.

For the Baking programme only, you can use a metal or glass baking dish to hold things like batter for cakes and dough for breads. Place the baking dish inside the cooking basket for baking.

*You can place food right on the cooking tray, without using foil or other coverings.*

### Prep

Cut, chop, season, marinate or batter your ingredients according to your recipe.

### Cook

1. Place your food into the air frying basket, according to your recipe.
2. Insert the air frying basket into the cooker.

*When the air frying basket is inserted securely, the front of the basket is flush with the front of the cooker.*

3. Press **Air Fry**.
4. Press **Temp/Time** to adjust the temperature and cooking time.
5. Press **Start** to begin. The display shows **Preheating** to indicate that the cooking programme has started.

See page 16 to adjust Smart Programme settings.

### Add food

1. When the cooker passes the preheating phase, the display shows **Add Food**.
2. Remove the basket, and carefully insert your food into the basket.
3. Reinsert the air frying basket into the cooker and the cooking countdown timer starts.

### Turn

1. Part way through the cooking cycle the display shows **Turn Food**.
2. Remove the air frying basket from the unit and carefully turn, flip, or rotate your food.

*If you do not remove the basket after **Turn Food** displays, cooking will proceed after 10 seconds.*

3. Insert the air frying basket into the cooker. Cooking continues.

### Finish

- When the Smart Programme completes, the appliance beeps, and the display shows **End**.

*The "Food-Ready" beep will come up 1 minute after **End** (10 beeps in 10 minutes total) if the basket is not open.*

## SMART PROGRAMMES

### Air Fry

You can air fry foods like fries, cauliflower bites, wings, nuggets and more.

Setting	Default	Minimum	Maximum
Temperature	196°C	82°C	205°C
Cooking Time	15 minutes (00:15)	1 minute (00:01)	1 hour (01:00)

#### To air fry

- Follow the basic instructions for Air Frying.
- Select “Air Fry” as the Smart Programme.

### Roast

You can roast foods like beef, lamb, pork, poultry, vegetables and scalloped potatoes, for a deliciously tender inside and browned outside.

Setting	Default	Minimum	Maximum
Temperature	193°C	82°C	205°C
Cooking Time	18 minutes (00:18)	1 minute (00:01)	1 hour (01:00)

#### To roast

- Follow the basic instructions for Cooking.
- Select “Roast” as the Smart Programme.

## Bake

You can bake foods like breads, cakes, pastries and buns, with the Vortex™ Plus as your own “mini oven”.

Setting	Default	Minimum	Maximum
Temperature	185°C	82°C	205°C
Cooking Time	30 minutes (00:30)	1 minute (00:01)	1 hour (01:00)

### To bake

- Follow the basic instructions for Cooking.
- Select “Bake” as the Smart Programme.
- There is no need to turn the food partway through cooking.

*Leave approximately 2.5 cm of space around all sides of the baking dish to allow heat to circulate evenly.*

## Grill

Grilling cooks using direct top-down heating, perfect for melting cheese on French onion soup, and nachos.

Setting	Default	Minimum	Maximum
Temperature	205°C	177°C	205°C
Cooking Time	6 minutes (00:06)	1 minute (00:01)	40 minutes (00:40)

### To grill

- Follow the basic instructions in Cooking.
- Select “Grill” as the Smart Programme.
- There is no need to turn the food partway through cooking.

## Dehydrate

Dehydrating uses low heat over a long period of time to safely dry out food items, like dried fruit, jerky and dried veggies.

Setting	Default	Minimum	Maximum
Temperature	54°C	35°C	79°C
Cooking Time	8 hours (08:00)	1 hour (01:00)	72 hours (72:00)

### To dehydrate

- Follow the basic instructions in Cooking.
- Select “Dehydrate” as the Smart Programme.
- There is no need to turn the food partway through cooking.

## Reheat

Bring the crisp and crunch back to leftover chips, pizza and stale bread, in just a few minutes.

Setting	Default	Minimum	Maximum
Temperature	138°C	49°C	182°C
Cooking Time	10 minutes (00:10)	1 minute (00:01)	1 hour (01:00)

### To reheat

- Follow the basic instructions for Cooking.
- Select “Reheat” as the Smart Programme.

*Once this Smart Cooking function starts, the display will show the target temperature and cooking time immediately, there's no preheating time.*

## CLEANING

Clean your Vortex™ Plus after each use. Always unplug the unit and let all parts cool to room temperature before cleaning. Before use or storing, make sure all surfaces are dry.

### **⚠ WARNING**

To prevent electric shock, unplug before cleaning.

**DO NOT** immerse power cord, plug or the appliance in water or other liquid, which may result in electric shock.

Part	Cleaning instructions
Cooking tray	<ul style="list-style-type: none"><li>• Dishwasher safe.*</li><li>• The cooking trays have a non-stick coating. Avoid using metal utensils when cleaning.</li></ul>
Removable air frying basket	<ul style="list-style-type: none"><li>• Clean with a sponge or cloth and warm water and dish soap, then rinse well. Ensure that all grease and food debris are removed.</li><li>• After cooking, wait to wash the basket until it returns to room temperature. This will reduce fogging of the ClearCook windows.</li><li>• If water is trapped in a ClearCook window after cleaning, it will need time to evaporate. This could take up to 24 hours. Running the basket in a short cooking cycle will speed up this process.</li><li>• The baskets have a non-stick coating. Avoid using metal utensils when cleaning.</li></ul>
Cooking chamber	<ul style="list-style-type: none"><li>• Clean with a damp cloth and mild dish soap.</li><li>• Always check the heating coil and cooking chamber walls for oil spatter and food debris, and clean as needed.</li><li>• Ensure the heating coil is dry before turning on the air fryer.</li><li>• To remove baked-on grease and food residue from the cooking chamber, spray with a mixture of baking soda and vinegar and wipe clean with damp cloth. For stubborn stains, allow the mixture to sit on the affected area for several minutes before scrubbing clean.</li></ul>
Power cord	<ul style="list-style-type: none"><li>• Clean with a soft, damp cloth or sponge. Wipe dry.</li></ul>

*\*Some discoloration may occur after machine washing, but this will not affect the cooker's safety or performance.*

## REPLACING ODOURERASE FILTERS

(for OdourErase model only)

Visit [instantbrands.co.uk](https://instantbrands.co.uk) to purchase compatible filters designed to work with your unit.

When it's time to replace the OdourErase filter, the display will show **Change Filter**.

1. Unplug the Vortex™ Plus from the electrical outlet.
2. Lift the filter housing up, from the top of the unit.
3. Remove the old filters and dispose of them properly. The filters are not recyclable.
4. Remove two (2) new filters from packaging and insert them into the filter housing.
5. Insert the filter housing back into the unit and plug the cooker back into the electrical outlet.
6. Press the buttons "Bake" and "Reheat" together to reset the filter. The filter LED on the top panel of the machine will be off. Now you're ready to cook.
7. The OdourErase filters will automatically begin reducing odours while you cook.

## TROUBLESHOOTING

Problem	Cause	Solution
Air fryer will not turn on	The appliance is not properly plugged in.	<ul style="list-style-type: none"> <li>• Make sure the power cord is plugged into the outlet firmly.</li> </ul>
	Outlet is not powered.	<ul style="list-style-type: none"> <li>• Plug another appliance into the same outlet to test the circuit.</li> </ul>
	The oven door is open.	<ul style="list-style-type: none"> <li>• Make sure the door is fully closed.</li> </ul>
Black smoke is coming from the air fryer	Using an oil with a low smoke point.	<ul style="list-style-type: none"> <li>• Cancel the Smart Programme, unplug the cooker and allow it to cool to room temperature.</li> <li>• Choose a neutral oil with a high smoke point.</li> </ul>
	Food residue on the heating coil, in the cooking chamber or on the accessories.	<ul style="list-style-type: none"> <li>• Cancel the Smart Programme, unplug the cooker and allow it to cool to room temperature.</li> <li>• Remove all accessories from the cooking chamber and clean the cooking chamber and all accessories thoroughly.</li> </ul>
	Appliance malfunction.	<ul style="list-style-type: none"> <li>• Contact Consumer Care.</li> </ul>
White smoke is coming from the air fryer	Cooking foods with a high fat content, such as bacon, sausages, and hamburgers.	<ul style="list-style-type: none"> <li>• Avoid air frying foods with a high fat content. Check the cooking chamber for excess oil and/or fat and carefully remove as needed before air frying.</li> </ul>
	Water is vaporising, producing thick steam.	<ul style="list-style-type: none"> <li>• Pat dry moist food ingredients before air frying.</li> <li>• Do not add water or other liquid to the cooking chamber when air frying.</li> </ul>
	Seasoning on food has blown into element	<ul style="list-style-type: none"> <li>• Be mindful when seasoning food. Spray vegetables and meats with oil before seasoning to help the seasoning stick.</li> </ul>

## ERROR CODES

If the control panel displays an error code from this list, there is an issue with the Vortex™ Plus. Here are the actions you should take to fix the problem.

Problem	Cause	Solution
E1	Open circuit.	• Contact Consumer Care.
E2	Temperature sensor short circuit.	• Contact Consumer Care.

## PRODUCT SPECIFICATIONS

Model	Volume	Wattage	Power	Weight	Dimensions
AFB6132BK	5.7 Litres	1450-1700W	220-240 V ~50/60 Hz.	5.15 kg	cm: 39.3 D x 30 W x 30 H

## LEARN MORE

There's a whole world of Instant Air Fryer information and help just waiting for you. Here are some of the most helpful resources.

### Register your product

[instantbrands.co.uk/product-registration/](https://instantbrands.co.uk/product-registration/)

### Contact Consumer Care

[instantbrands.co.uk](https://instantbrands.co.uk)

[UKSupport@instantbrands.com](mailto:UKSupport@instantbrands.com)

[EUSupport@instantbrands.com](mailto:EUSupport@instantbrands.com)

+44 (0) 3331 230051

### Instant Brands Connect App with 1000+ recipes


[instantbrands.co.uk](https://instantbrands.co.uk)

iOS and Android app stores

### Cooking timetables and more recipes

[instantbrands.co.uk/recipes/](https://instantbrands.co.uk/recipes/)

### How-to videos, tips and more

 Instant Brands UK

### Replacement parts and accessories

[instantbrands.co.uk/product-category/instant/](https://instantbrands.co.uk/product-category/instant/)

### Join the community



# WARRANTY

Instant Brands (EMEA) Limited, Instant Brands (Ireland) Limited, and Instant Brands LLC (collectively the "Company") warrant this appliance to be free from defects in workmanship and material, under normal household use, for a period of one (1) year from the date of original purchase. This Limited Warranty extends only to the original purchaser and use of the appliance in the UK and EU and must be purchased by an authorised distributor of Instant Brands. This warranty does not cover appliance use outside of the UK and EU.

Proof of original purchase date and, if requested, return of your appliance is required to obtain service under this Limited Warranty. Provided that this appliance is operated and maintained in accordance with the written instructions included with the appliance (which are also available at [instantbrands.co.uk](http://instantbrands.co.uk)), the Company will, at its sole discretion, either: (i) repair defects in materials and workmanship; or (ii) replace the appliance. In the event the appliance is replaced, the Limited Warranty on the replacement appliance will expire 12 months from the date of original consumer purchase (UK only).

The Company is not responsible for shipping costs for warranty service.

## Limitation and Exclusions

Any modification or attempted modification to your appliance may interfere with the safe operation of the appliance and may result in serious injury and damage. Any modification or attempted modification to your appliance or any part thereof will void the warranty, unless such modification(s) or alteration(s) were expressly authorised by the Company.

This warranty does not cover (1) normal wear and tear; (2) damage resulting from negligent, unreasonable or misuse of the appliance, improper assembly or disassembly, use contrary to the operating instructions, failure to provide reasonable and necessary maintenance, Acts of God (such as fire, flood, hurricanes and tornadoes), or repair or alteration by anyone, unless expressly directed and authorised by the Company; and (3) repairs where your appliance is used for other than normal household use and in a manner contrary to published user or operator instructions.

To the extent permitted by applicable law, the liability of the Company, if any, for any allegedly defective appliance or part shall be limited to repair or replacement of the appliance or part thereof, and shall not exceed the purchase price of a comparable replacement appliance. Except as expressly provided herein and to the extent permitted by law, (1) the Company makes no warranties, conditions or representations, express or implied, usage, custom of trade or otherwise with respect to the appliance or parts covered by this warranty and (2) the Company shall not be responsible or liable for indirect, incidental or consequential damages arising out of or in connection with the use or performance of the appliance or damages with respect to any economic loss, loss of property, loss of revenues or profits, loss of enjoyment or use, costs of removal, installation or other consequential damages of any nature or kind.

You may have rights and remedies under applicable laws, which are in addition to any right or remedy which may be available under this limited warranty.

Please visit [instantbrands.co.uk/product-registration/](https://instantbrands.co.uk/product-registration/) to register your appliance. You will be asked to provide your name, your email address, the store name, date of purchase, model number and serial number (both of which are found on the appliance). This registration will enable us to keep you up-to-date with product developments and recipes, and contact you in the unlikely event of a product safety notification. By registering, you acknowledge that you have read and understood the instructions for use and warnings accompanying the appliance.

## Warranty Service

Your name, email address or phone number. A copy of the original purchase receipt with order number, model and serial number. A description of the product defect, including any photographs or video if possible.

## Warranty Registration

### Within the UK

Instant Brands (EMEA) Limited, 1  
Christchurch Way, Woking, Surrey,  
GU21 6JG, UK.

Email: [UKSupport@instantbrands.com](mailto:UKSupport@instantbrands.com)

Telephone: +44 (0) 3331 230051

### Within the EU

Instant Brands (Ireland) Limited, Suite  
6, Rineanna House, Shannon Free Zone,  
Shannon, Co Clare, Ireland, V14 CA36.

Email: [EUSupport@instantbrands.com](mailto:EUSupport@instantbrands.com)

Telephone: +44 (0) 3331 230051

This warranty was last updated on 1 September 2019 for all products sold from [1 November 2019]. If your product comes with our older warranty version, your warranty will continue to be honoured.

## Recycling

This appliance complies with the WEEE Directive 2012/19/EU on the disposal of electrical and electronic equipment (WEEE). This appliance complies with the European directive for electromagnetic compatibility (EMC) 2014/30/EU and its revisions, as well as Low Voltage Directive (LVD) 2014/35/EU and its revisions. This marking indicates that this product should not be disposed of with other household waste throughout the UK and EU. To prevent possible harm to the environment or human health from uncontrolled waste disposal, recycle it responsibly to promote the sustainable re-use of material sources. To return your used device, please use the return and collection systems or contact Customer Care for further recycling and WEEE information.



**Instant Brands (EMEA) Limited**

1 Christchurch Way, Woking, Surrey,  
GU21 6JG, UK

**Instant Brands (Ireland) Limited**

Suite 6, Rineanna House, Shannon  
Free Zone, Shannon, Co Clare,  
Ireland, V14 CA36

**[instantbrands.co.uk](https://www.instantbrands.co.uk)**

© 2022 Instant Brands LLC  
889-0119-31