



1600W PRESSURE WASHER



UK
CA



Please note that your safety is your personal responsibility



Read and understand instructions manual and all other safety instructions before using this equipment.



Failure to follow the instructions may result in damage to surfaces or personal equipment.

SAFETY AND WARNING INFORMATION



Read and retain these instructions for future reference.



WARNING:

Read the instructions fully before using the product for the first time.

Failure to follow the instructions may result in fire, electric shock and / or serious injury.

We recommend the user wears safety equipment during use.

Never modify or bypass the safety devices.

We recommend the product be used with an RCD (Residual Current Device) with a trip current of 30mA. Disconnect from the electrical power supply before carrying out any user maintenance.

- Intended use: This high pressure cleaner is designated with a rated input current. The intended use of this product covers the cleaning of vehicles, buildings, terraces, facades and garden equipment using clean water and biodegradable chemical detergents. Likewise, the product can be used to clean paving slabs or rain gutters. Only use the pressure washer for its intended use.
- This product may not be used to clean clothing, shoes and other textiles. The water jet should not be directed against persons, animals, any electrical equipment or on the product itself. Do not flush any objects which contain health hazardous materials. The product must not be run with inflammable, explosive and toxic liquids.
- This appliance is not intended for use by persons (including children) with reduced physical, sensory or mental capabilities, or lack of experience and knowledge, unless they have been given supervision or instruction concerning use of the appliance by a person responsible for their safety. Children should be supervised to ensure that they do not play with the appliance. Children should be kept away from any packaging. The pressure washer should never be left unsupervised whilst in use.
- When operating the unit in high pressure mode the lance may cause kickback, therefore, ensure you hold the spray gun firmly. When in use, we recommend that other people are at least 10m away from the working area.
- High-pressure jets can be dangerous if misused. The jet **MUST NOT** be directed at yourself, other people, animals, live electrical equipment or the pressure washer itself. Keep the spray at least 30cm away when cleaning a vehicle, wheels, or tyres to avoid damage. Damaged tyre valves can be dangerous. The trigger gun safety lock prevents the trigger from accidentally being engaged. This safety feature does not lock trigger in the 'on' position.
- Do not use the pressure washer if the supply cord or other important parts are damaged (e.g. high pressure lance or hoses). Never carry your pressure washer by the cord.
- Check pressure washer and its accessories before each use to make sure they are safe and reliable. Always remove the mains plug before any care or maintenance work is carried out.
- Do not disconnect the high-pressure hose whilst the system is under pressure. This system is capable of producing 150Bar. To avoid rupture and injury, do not operate this pump with components rated less than 150Bar working pressure (including but not limited to spray guns, hose, and hose connections).
- Do not use acids or flammable liquids in the machine. Use all detergents correctly and keep them out of reach of children.
- When using a pressure washer always ensure that your water connection is protected by a backflow

preventer type BA according to EN 60335-2-79. This will avoid possible contamination of the water supply.
Use cold water feed only.

- Protect the unit against freezing; avoid storing the machine where it may be susceptible to frost.
- Do not operate the pressure washer below 0 degrees. Prior to starting the pressure washer in cold weather, be sure ice has not formed in any part of the equipment.
- The unit must continuously run with water. Dry running will cause serious damage to the seals.
- The water supply hose must be at least 12.5mm (½”) in diameter with a minimum recommended length of 7.5 meters and be fitted with a suitable coupling that matches the male quick fit connector.
- High pressure hoses, fittings and couplings are important for the safety of the appliance. Only use hoses, fittings and coupling recommended by the manufacturer.
- To ensure machine safety, use only original spare parts from the manufacturer or approved by the manufacturer.

IMPORTANT: The pressure washer is equipped with an auto stop device. When the trigger is released, it will open the power circuit to the motor and cause the pressure washer motor to stop. The motor will resume when the trigger is pulled. The pressure washer is also equipped with a main power ON/OFF switch located on the unit. It should always be moved to OFF position when the pressure washer is not being used. This product is a class II product, only a qualified person should carry out servicing.

If an extension lead is to be used with this product, please ensure:

- Use only extension leads that are intended for outdoor use. The plug and socket must be watertight.
- Completely unwind the cable from the drum to allow for full current rating of the extension lead.
- To reduce the risk of electrocution, keep all connections dry and off the ground.
- Do not touch the plug with wet hands.

 **WARNING:** Inadequate extension leads can be dangerous.

NEVER START-UP A FROZEN MACHINE.

Frost damages are not covered by the guarantee!

OTHER RISKS


 **DANGER**

The appliance may not be operated in explosive atmospheres.

Risk of explosion- Do not spray flammable liquids.

Never draw in fluids containing solvents or undiluted acids and solvents! This includes petrol, paint thinner and heating oil. The spray mist is highly inflammable, explosive and poisonous. Do not use acetone, undiluted acids and solvents, as they corrode the materials used on the appliance.

Never use the product with inflammable or toxic liquids, or liquids with characteristics incompatible with its proper operation.

 **WARNING:** During use of high-pressure cleaners, aerosols may be formed. Inhalation of aerosols can be hazardous to health.

Keep packaging films away from children, there is a risk of suffocation!

WARNING

According to applicable regulations, the appliance must never be connected to the drinking water distribution network without a system separator. Ensure that the connection to your building water installation on which the high pressure cleaner is operated is equipped with a system separator (back flow preventer).

Water that has flown through backflow preventers is considered to be non-potable.

High-pressure hoses, fittings and couplings are important for the safety of the appliance. Only use high-pressure hoses, fittings and couplings recommended by the manufacturer.

To ensure applicable safety, use only original spare parts from the manufacturer or approved by the manufacturer.

Switch the product off and disconnect it from the power supply removing the power plug from the socket outlet before assembly, cleaning, adjustments, maintenance, storage and transportation or converting the product to another function.

CAUTION

Mind the weight of the appliance when selecting the storage location and during transport to prevent accidents or injuries.

Several hours of continuous use of the appliance can lead to numbness in the hands in rare cases.


→Wear gloves.

→Keep hands warm.

→Take breaks at regular intervals. Working with detergent.

WARNING

The improper use of detergents can cause severe injuries or oxidation.

 **WARNING:** This machine has been designed for use with the cleaning agent supplied or recommended by the manufacturer. The use of other cleaning agents or chemicals may adversely affect the safety of the machine.

Store cleaning agent away from the reach of children.

Discharge residual pressure before disconnecting the hose from the product.

Check before each use, and at regular intervals, that all metal fasteners are tight and the product's components are in good condition; inspect for broken or worn parts.

Be aware of kick-back: Hold with both hands.

RESIDUAL RISKS

Even if you are operating this product in accordance with all the safety requirements, potential risks of injury and damage remain. The following dangers can arise in connection with the structure and design of this product:

Health defects resulting from vibration emission if the product is being used over long periods of time or not adequately managed and properly maintained.

Danger of injury and property damage caused by flying objects.

Injuries and damage to property due to broken accessories or the sudden impact of hidden objects during use.

ELECTRIC COMPONENTS

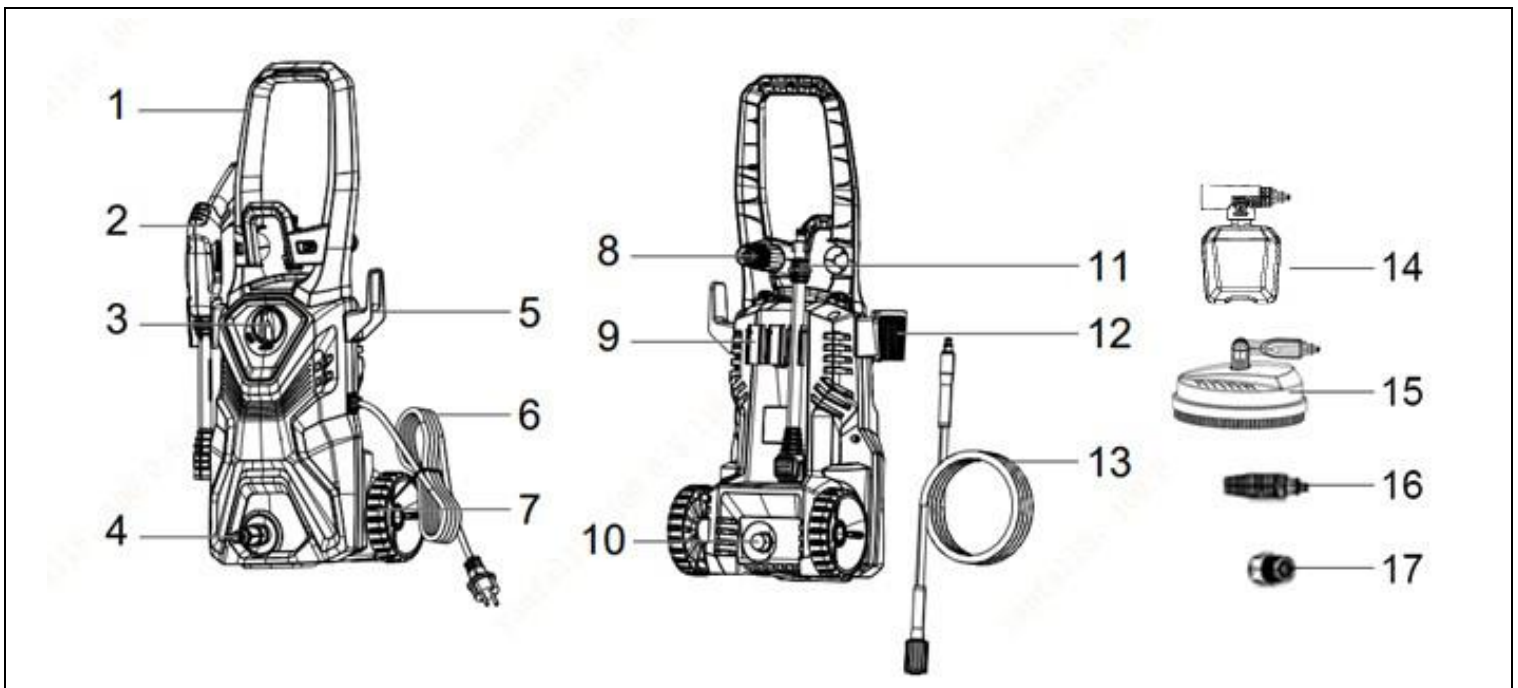
⚠ DANGER Risk of electric shock.

- Never touch the mains plug or socket with wet hands.
- Always check the power cord and plug for damage before each use.
- Do not use the machine if the cord or important parts are damaged.
- Ensure all conductive parts in the working area are protected from water jets.
- The mains plug and extension cable coupling must be watertight and never lie in water or on the ground.
- Use cable reels that keep sockets at least 60 mm above the ground.
- Avoid damaging the power cord by running over, pinching, or dragging it.
- Protect power cords from heat, oil, and sharp edges.
- Switch off the mains disconnecting switch when leaving the appliance unattended.

⚠ WARNING

- The appliance must be connected to an electric supply installed by an electrician according to IEC 60364.
- The electric supply should include a residual current device (RCD) that interrupts the supply if leakage current exceeds 30mA within 30ms or a device that interrupts the earth circuit.
- For safety reasons we recommend using an RCD (max. 30mA).
- The appliance must only be connected to alternating current, and the voltage must match the appliance's type plate.
- Only use approved outdoor extension cables with adequate cross-sections:
1-10m = 1.5 mm²; 10-30m = 2.5 mm².
- Always fully unreel the extension cable from the drum.

COMPONENTS



COMPONENT LIST:

1. Handle
2. Gun handle
3. Mains ON/OFF switch
4. Water inlet filter
5. Power cord hook
6. Power cord
7. Wheel
8. Fan nozzle
9. Accessory rack
10. Water outlet
11. Gun lance
12. Gun hanging rack
13. High pressure hose
14. Foam bottle
15. Patio brush
16. Turbo nozzle
17. Water inlet connector

TECHNICAL SPECIFICATIONS

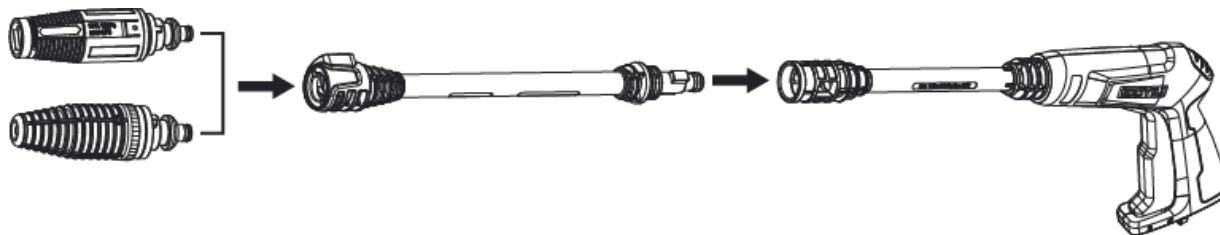
MODEL:	91051600	RATED FLOW	5.2L/min
VOLTAGE	230V	MAX. FLOW	8.L/min
FREQUENCY	50Hz	RATED TEMPERATURE: MAX.	40°C
RATED INPUT POWER:	1600W	MAX. INLET PRESSURE:	1.0MPa
PROTECTION CLASS	II	SOUND PRESSURE LEVEL: UNCERTAINTY:	76 dB (A) KpA=3dB
DEGREE OF PROTECTION	IPX5	SOUND POWER LEVEL: UNCERTAINTY:	88 dB (A) KwA==3dB
RATED PRESSURE	9MPa	HAND-ARM VIBRATION	AH ≤2.5 M/s2 Kah=1.5m/s2
ALLOWABLE PRESSURE	13MPa	WEIGHT	6.7 Kg

PRODUCT ASSEMBLY:

Mount loose parts delivered with appliance prior to start-up.

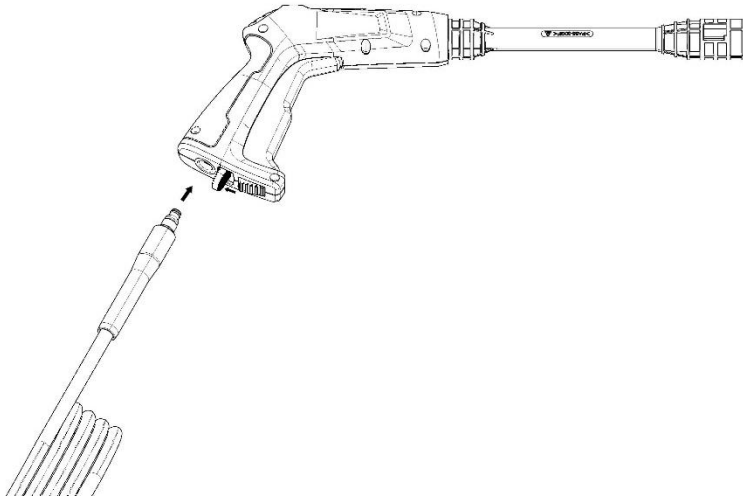
1. Install the spray wand.

- Fit the spray wand into the gun and rotate it until the two parts are completely locked.



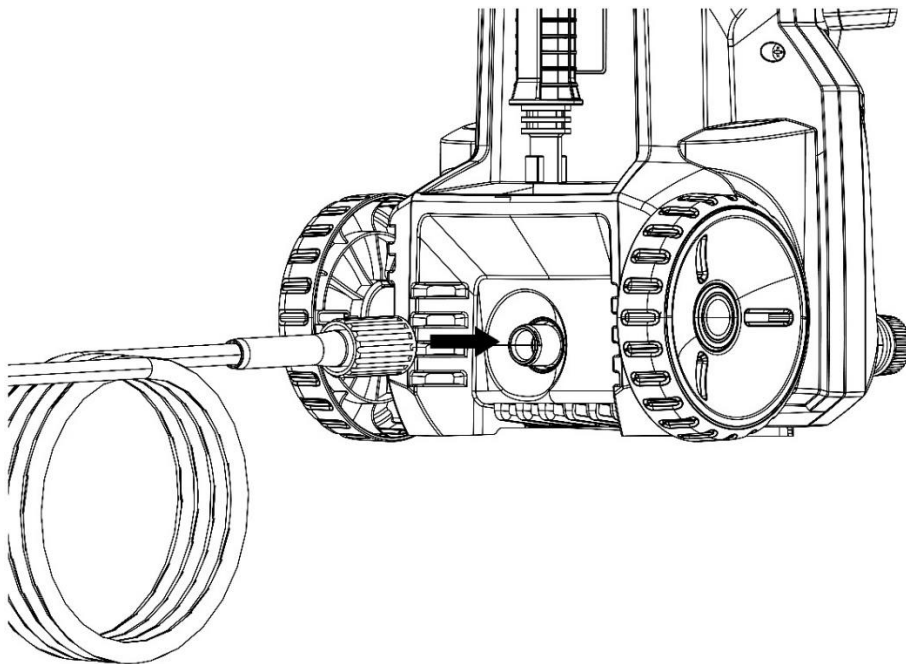
2. Connect the high-pressure hose to the trigger gun.

- Connect the silver end of the high-pressure hose to the trigger gun and push the connector as indicated to secure the connection.
- By adding Vaseline to the 'O' ring improves assembly and sliding.



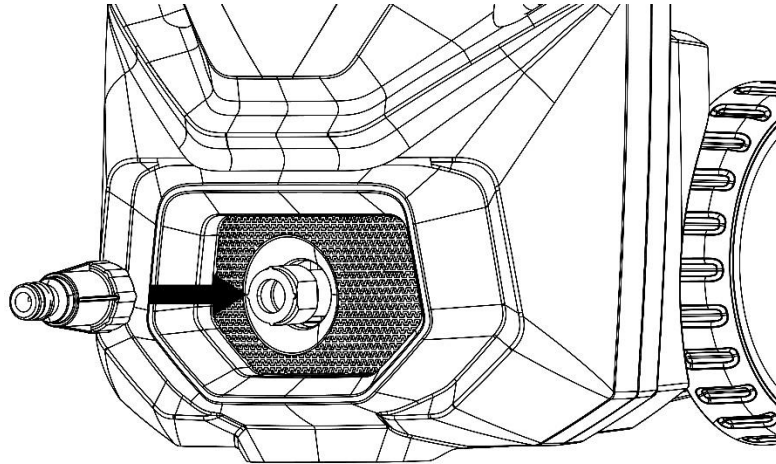
3. Connect the high-pressure hose to the water outlet.

- Connect the other end of the high-pressure hose to the water outlet on the washer and twist the black rotatable end-piece as indicated to secure the connection.
- By adding Vaseline to the 'O' ring improves assembly and sliding.



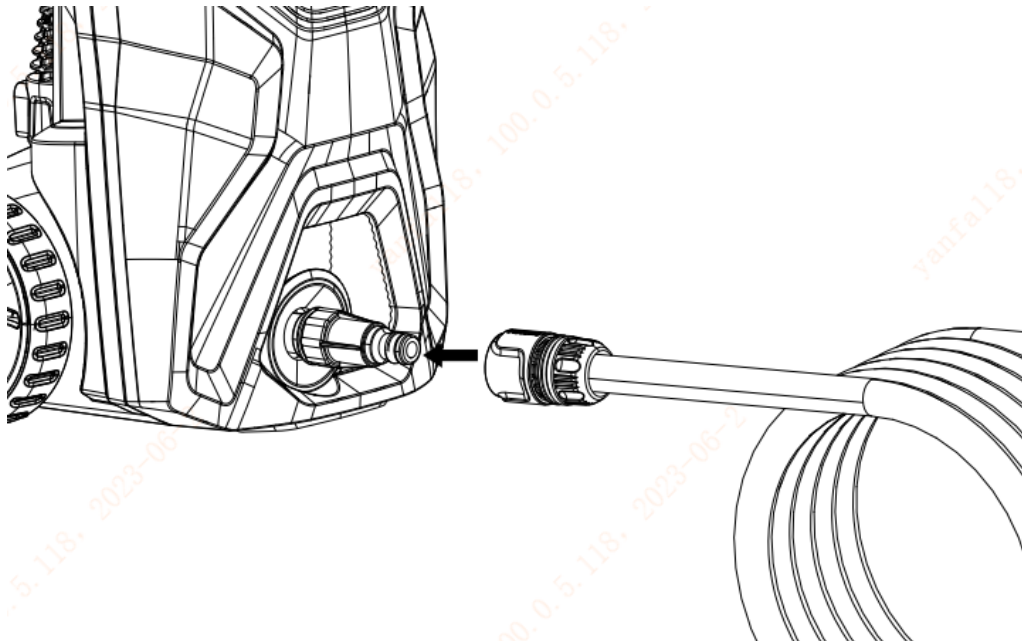
4. Connect the water inlet male quick fit connector to the inlet.

- Ensure the inlet filter is fitted at the same time.

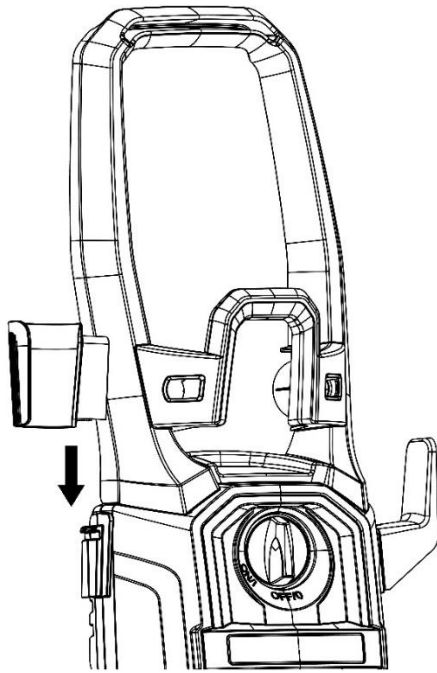


5. Connect the garden hose to the water inlet.

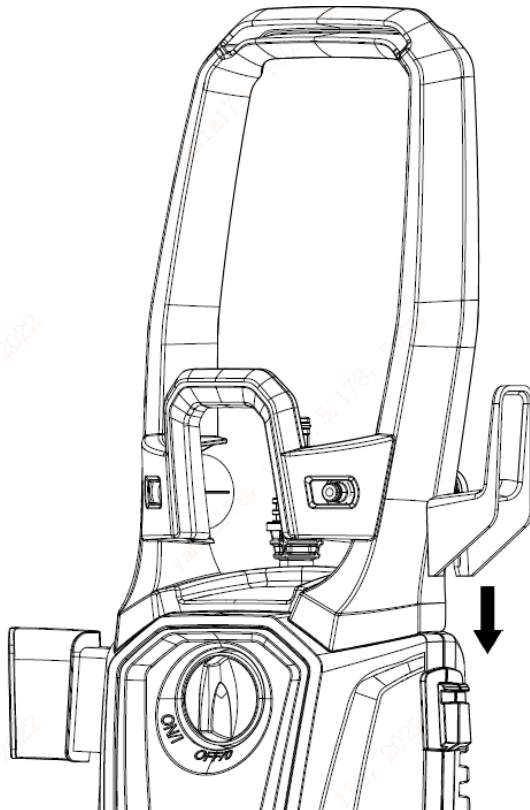
Connect the garden hose adaptor (female coupler) to the water inlet of the pressure washer, then thread your garden hose (male end) into the garden hose adaptor.



6. Slide the trigger gun holder into position of unit left.



7. Slide the power cord hook into position of unit right.



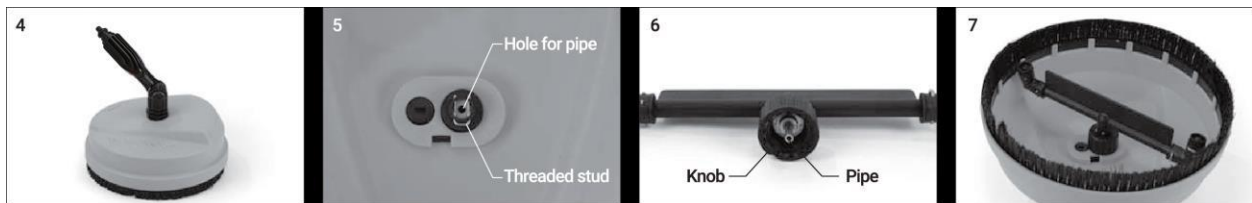
ASSEMBLY OF THE PATIO CLEANER COMPONENTS

1. Connector
2. Cleaner head
3. Spinner



Assembly:

1. Place the Connector (1) on top of the Cleaner Head (2) (fig 4). There are two holes, one small and one large.
2. Place the threaded stud on the connector (1) (fig 1), through the large hole (fig 5).
3. Push the pipe on the Spinner (3) (fig 6) into the hole on the connector (1) (fig 5).
4. Turn the knob (fig 6) clockwise until tight. Do not over tighten. See fig 7 for assembled unit.



START UP

Park the appliance on an even surface. Insert the mains plug into the socket.

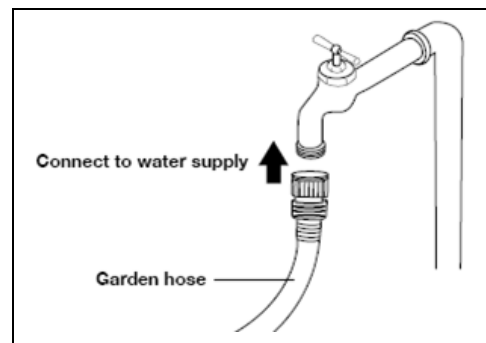
⚠ ATTENTION

Impurities in the water can damage the high-pressure pump and the accessories.

Attach garden hose to water supply.

Note: The connector should be one with a backflow preventor.

⚠ WARNING: Do not connect to potable water system.



The water supply must not exceed 0.7MPa.

The washer must only be used with clean water, use of unfiltered water containing corrosive chemicals will damage the washer.

Bleed the device as follows prior to operation:

- Turn the main water 'ON'
- Unlock the lever of the trigger gun.

- Push the lever of the trigger gun.
- Allow the water to run thoroughly the unit until full flow of water is obtained, then release the trigger.
- The unit is now ready to turn on and run.

OPERATION

WARNING:

Dry running of more than 2 minutes leads to damage of the high-pressure pump. If the appliance does not build up pressure within 2 minutes, switch the appliance off and proceed in accordance with the instructions in Chapter “Troubleshooting”.

PERSONAL PROTECTIVE EQUIPMENT

CAUTION

Wear protective clothing and safety goggles to protect against splash back containing water or dirt. During the use of high-pressure cleaners aerosols can develop. Inhaling aerosols can cause health damage.

—Depending on the application, completely shielded nozzles(e.g. surface cleaner)that significantly reduce the emission of aqueous aerosols can be used for high-pressure cleaning.

—The use of such shielding is not possible with all applications.

HIGH PRESSURE OPERATION

CAUTION:

Keep a distance of at least 30 cm when using the jet for cleaning painted surfaces to avoid damage.

CAUTION:

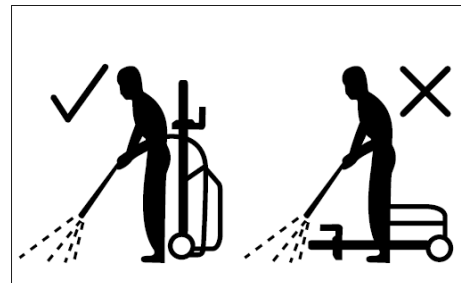
Make sure the on/off switch is set to “OFF” and insert the plug into a properly installed socket.

ATTENTION

- The washer must be used on a secure and stable surface in a standing, upright position.

Connect the product to power and water supply.

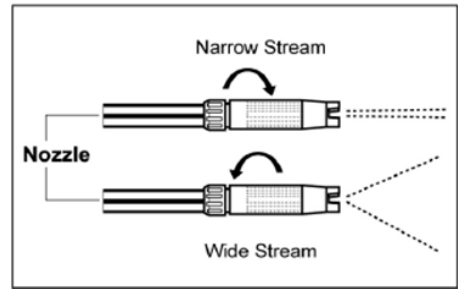
- Open the water supply.
- Hold the spray gun with both hands.
- Direct the nozzle of the chosen accessory away from you towards the surface to be cleaned.
- Unlock the trigger and press it until a constant amount of water flows through the nozzle without bubbles, to allow air trapped in the hose to escape.
- Release the trigger.
- Turn the switch “OFF/ON” to the “ON” position.
- Hold the spray gun with both hands. Direct the water jet to the object to be cleaned and press the trigger. Release the lever of the trigger gun; the device will switch off again and stop the water jet. High pressure remains in the system.



⚠ WARNING: Beware of kickback when pressing the trigger!

ADJUSTING FAN PATTERNS

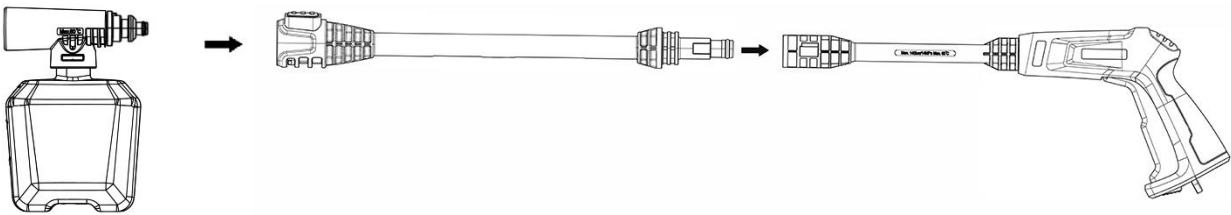
The angle of spray coming out of the High pressure adjustable spray lance may be adjusted by rotating the nozzle. This will vary the spray pattern from a narrow high impact jet to a wide fan spray. A narrow stream has high impact force on the cleaning surface and results in maximum deep cleaning in a concentrated area. However, this narrow high impact spray must be used cautiously as it may damage some surfaces. A wide fan pattern will distribute the impact of the water over a larger area, resulting in excellent cleaning action with a reduced risk of surface damage. Large surface areas can be cleaned more quickly using a wide fan pattern.



ACCESSORIES

FOAM GUN

The foam gun fits directly into the lance.



Used for applying car cleaning agents. Only use cleaning agents suitable for pressure washers, this is to ensure components & seals do not get damaged.

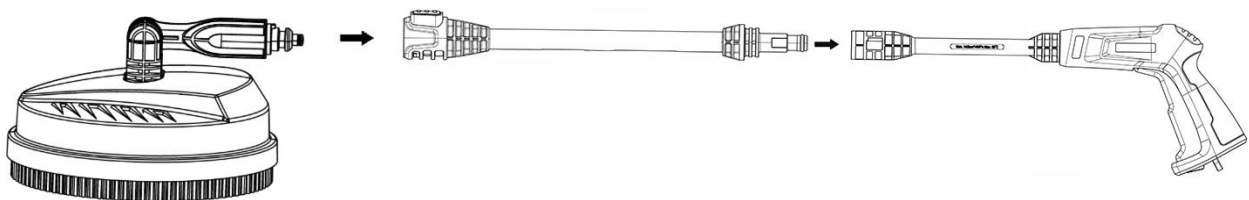
Please refer to the manufactures instructions on how to use the solution purchased.

The ratio is approximately 5.4% (1 to 19).

1. Unscrew the bottle from the foam gun and fill with detergent/soap.
2. Replace bottle to foam gun.
3. Attach detergent container to gun.

PATIO CLEANER

Your pressure washer is supplied with a patio brush (16). It has soft bristles which are ideal for cleaning car bodywork, windows, etc.



This brush works on the low pressure setting.

The brushes connect to the lance (8).

There is an adapter with each brush; you must fit it before connecting to the trigger gun.

Note: Do not fit brushes when the power is on.

⚠ WARNING:

To avoid scratches or surface damage, ensure the product is free of debris and dirt before use.

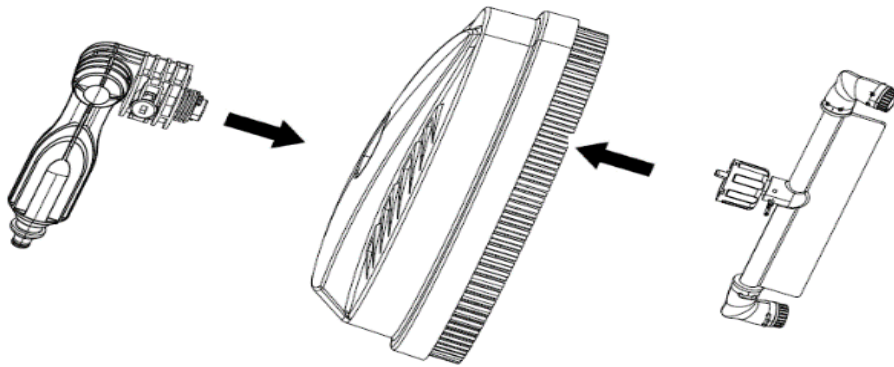
Ensure the surface to be cleaned is sound and will not be damaged by the brushing action.

Test on an inconspicuous area first.

Grit or debris on the surface or in the brush can cause damage. Please check both carefully before cleaning.

Patio Cleaner:

Your pressure washer is supplied with a compact patio cleaner (16) which connects to the power control gun (1) via the lance (8). The Patio Cleaner is the perfect tool for cleaning large areas quickly and reduces excess spray. Hold the patio cleaner just above the surface to be cleaned and use in a sweeping motion.



PLEASE NOTE:

The bristles on the patio cleaner are NOT for scrubbing surfaces.

The bristles are to prevent water and dirt from being sprayed everywhere.

Hold the patio cleaner just above the surface to be cleaned and use in a sweeping motion.

Since a patio cleaner uses a high impact stream, only use it in applications where the cleaning cannot damage the surface by a high impact spray.

Always test on an inconspicuous area first to ensure you do not damage the surface.

Note: The patio cleaner is not adjustable and cannot be used to apply detergent

Note: Do not fit the patio cleaner when the power is on.

DO NOT SCRUB!

⚠ WARNING:

Grit or debris on the surface or in the brush can cause damage. Please check both carefully before cleaning.

HOW TO AVOID DAMAGING SURFACES

WARNING:

Failure to follow the instructions may result in damage to surfaces or personal equipment.

Damage to cleaning surfaces occurs because the impact force of the water exceeds the durability of the surface. Never use a narrow high impact jet or a turbo/rotary nozzle on a surface that is susceptible to damage. Avoid spraying windows with a narrow high impact jet or turbo nozzle as this may cause breakage.

Follow these simple steps to avoid damaging your surfaces:


Before triggering the gun, adjust the nozzle to a wide fan pattern.

Place the nozzle approximately 4-5 feet cleaning surface and begin spraying.

Vary the fan pattern spray angle and the distance to the cleaning surface until optimum cleaning efficiency is achieved without damaging the surface.

OPERATION WITH DETERGENT

Detergent can only be added when the device is operated in low pressure mode.

 **DANGER:** When using detergents, the material data safety sheet issued by the detergent manufacturer must be adhered, especially the instructions regarding personal protective equipment.

Remove the cap of the clean detergent bottle. Gently pull the onboard detergent tank out of its storage position.

Fill the tank with detergent designed specifically for use with pressure washers.

Push the detergent bottle with the opening pointing downwards into the connection for the hose clean detergent.

Ensure to follow the instructions as per detergent selected.

RECOMMENDED CLEANING METHOD

- Spray the detergent sparingly on the dry surface and allow it to react, but not to dry.
- Spray off loosened dirt with the high pressure Met.

AFTER OPERATION WITH DETERGENT

- Remove the hose clean detergent bottle from the intake and close it with the lid.
- For storage, put the detergent bottle into the retainer with the cap pointing up.

INTERRUPTING OPERATION

- Release the lever of the trigger gun.
- Lock the lever of the trigger gun.
- Put the trigger gun with the spray lance into the parking position.
- During longer breaks (more than 5 minutes), also turn the appliance off using the “OFF/ON” switch.

FINISH OPERATION

- Release the lever of the trigger gun.
- Turn the switch “OFF/ON” to the “OFF” position.

- Ensure the plug or any extension cable is switched off at the mains and have not become wet.
- Disconnect the mains plug from the socket.

Only separate the high-pressure hose from the trigger gun or the device when there is no pressure in the system.

TURN OFF THE WATER SUPPLY

- Pressure the lever of the trigger gun to release any remaining pressure in the system.
- Release the lever of the trigger gun.
- Lock the lever of the trigger gun.

ATTENTION

- When disconnecting the supply or high-pressure hose, warm water may leak from the connection after operation.
- Detach the appliance from the water supply.

TRANSPORTATION

CAUTION

Risk of personal injury or damage!

Mind the weight of the appliance during transport.

WHEN TRANSPORTING BY HAND

- Switch the product off and disconnect it from the water and power supply.
- Pull out the transport handle until it audibly snaps into place. Attach transportation guards, if applicable.
- Pull the appliance by its transport handle.

STORAGE

CAUTION

Risk of personal injury or damage!

Consider the weight of the appliance when storing it.

STORING THE APPLIANCE

- Park the machine on an even surface.
- Detach spray lance from the trigger gun.
- Push the disconnect button on the trigger gun and pull the high-pressure hose out of the trigger gun.
- Place the trigger gun into the storage for the trigger gun.
- Put both spray lances into the storage for the spray lance.
- Place the spray lance in the unit with the nozzle pointing down.
- Coil the high-pressure hose and hang it over the hose storage.
- Store the mains connection in the accessory compartment.
- Prior to extended storage periods, as during the winter, also observe the instructions in the care section.
- Always store the pressure cleaner, parts, and accessories in a place that is inaccessible to children.
- The ideal storage temperature is between 10 °C and 30 °C. Store the power washer indoors to prevent the water in the unit from expanding under freezing conditions.

- We recommend using the original packaging for storage or covering the product with a suitable cloth or enclosure to protect it against dust.

WINTER STORAGE

- For storage during the winter months, we recommend the use of a solution 50/50 mix of antifreeze and water. This will keep the pump from freezing and getting damaged and will protect the internal components.
- Method: You will need a length of a garden hose and a funnel. Attach the garden hose to the inlet and pour the antifreeze into the unit via the funnel. Switch the unit on for a few seconds to allow the solution to flow through the system. Disconnect your pressure washer from the mains power, and then pack away in your storage area.



WARNING: Before reusing completely flush the unit out with clean water.

Anti-freeze can damage paintwork so you must ensure there is no antifreeze left in the system before using it again.

FROST PROTECTION



ATTENTION

Appliance and accessories that are not completely drained can be destroyed by frost. Completely drain appliance and accessories and protect them against frost. To avoid damage:

- Detach the appliance from the water supply.
- Detach spray lance from the trigger gun.
- Turn the switch “OFF/ON” to the “ON” position.
- Push the lever of the trigger gun until no more water is escaping.
- Release the lever of the trigger gun.
- Lock the lever of the trigger gun.
- Turn the switch “OFF/ON” to the “OFF” position.
- Store the appliance and all accessories in a frost-free environment.

CARE AND MAINTENANCE



DANGER

Risk of electric shock.

Prior to all work on the appliance, switch off the appliance and disconnect the power supply.

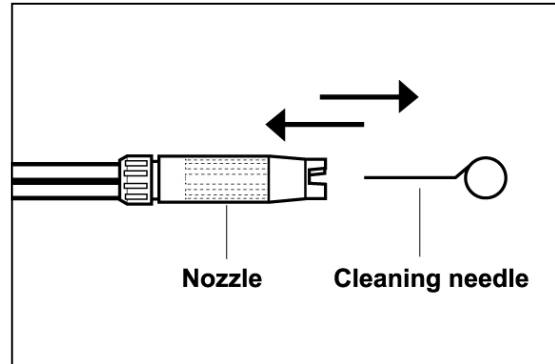
HIGH PRESSURE HOSE

The high-pressure hose is specially constructed with reinforced walls it can be easily damaged and should be stored carefully.

- Do not kink the hose.
- Do not drive vehicles over the hose.
- Do not expose the hose to sharp edges or corners. Misuse will lead to ballooning or premature failure and will invalidate warranty.

CLEAN THE FILTER IN THE WATER CONNECTION

Clean the filter in the water connection regularly.
 Remove coupling from the water connection, and rinse with warm water to prevent any foreign matter from clogging the pump.
 Remove the spray wand from the gun. Remove any dirt from the nozzle hole and rinse.
 Clean the nozzle with the needle clean-out needle provided.



⚠ ATTENTION

- The filter must not be damaged.
- Pull the filter out using flat pliers.
- Clean the filter under running water.
- Reinsert the filter into the water connection.
- Reinsert the filter into the water connection.

TROUBLESHOOTING

⚠ DANGER: Risk of electric shock.

Turn off the appliance and remove the plug from the main prior to performing any care and maintenance work. Repair work and work on the electrical components may only be performed by qualified professional. You can rectify minor faults yourself with the help of the following overview. If in doubt, consult a professional.

SYMPTOM	CAUSE	RECOMMENDED ACTION
Machine refuses to start	Machine not plugged in Defective socket Fuse has blown Defective extension cord	Plug in machine. Try another socket. Replace fuse. Switch off other machines. Try without the extension cord.
Fluctuating pressure	Pump sucking air Valves dirty, worn out or stuck Pump seals worn out	Check that hoses and connections are airtight. Clean and replace or refer to professional. Clean and replace or refer to professional.
Machine stops	Incorrect mains voltage Thermal sensor activated Nozzle partially blocked	Check that the mains voltage corresponds to specification on the model tag. Leave the washer for 5 minutes to cool down. Clean the nozzle
Machine pulsating	Air in inlet hose Inadequate supply of mains water Nozzle partially blocked Water filter blocked Hose kinked	Allow machine to run with open trigger until regular working pressure resumes. Check that the water supply corresponds to specifications required Avoid using long, thin hoses (min. 1/2"). Clean the nozzle/Clean the filter Straighten out hose.

Machine starts, but no water comes out	Pump/hoses or accessory frozen No water supply Water filter blocked /Nozzle blocked	Wait for pump/hoses or accessory to thaw. Connect inlet water. Clean the filter /clean the nozzle
--	---	---

WINTER STORAGE



- For storage during the winter months, we recommend the use of a solution 50/50 mix of antifreeze and water. This will keep the pump from freezing and getting damaged and will protect the internal components.

- Method: You will need a length of a garden hose and a funnel. Attach the garden hose to the inlet and pour the antifreeze into the unit via the funnel. Switch the unit on for a few seconds to allow the solution to flow through the system. Disconnect your pressure washer from the mains power, and then pack away in your storage area.



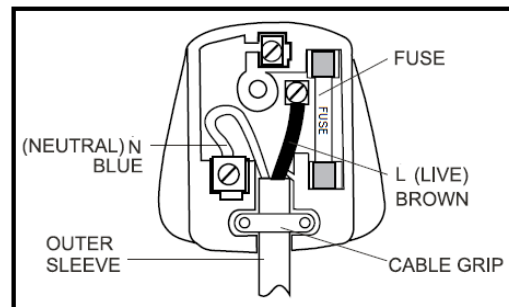
WARNING: Before reusing completely flush the unit out with clean water.

Anti-freeze can damage paintwork so you must ensure there is no antifreeze left in the system before using it again

PLUG REPLACEMENT

Note: The product is fitted with a standard UK mains outlet 3 pin plug. If a moulded plug is fitted and has to be removed take great care in disposing of the plug and severed cable, it must be destroyed to prevent engaging into a socket.

If the supply cord is damaged it must only be replaced by a qualified person. If you should need to fit a new plug follow the instructions below. If in doubt consult a qualified electrician.



IMPORTANT

The wires in the mains lead are coloured in accordance with the following code:

Blue - Neutral


Brown - Live

As the colours of the wires in the mains lead of this appliance may not correspond with the coloured markings identifying the terminals in your plug, proceed as follows:

The wire coloured BROWN must be connected to the terminal that is marked with the letter "L".

The wire coloured BLUE must be connected to the terminal that is marked with the letter "N".



This product is a class II product, therefore, no connection is to be made to the earth terminal which is marked "E" or .

If a 13 AMP (BS 1363/A) plug is used, use the same Amperage fuse that has been issued with the original plug. If any other type of plug is used use the same Amperage fuse that has been issued with the original plug.

WASTE ELECTRICAL AND EQUIPMENT (WEEE)



Any product, its accessories and packaging bearing the Waste Electrical and Electronic Equipment (WEEE) directive symbol (shown left) are **NOT** to be disposed of in domestic waste. Products that are at the end of the machines working life or that are not repairable must be separated and disposed of in an environmentally friendly way according to national regulations.



This also applies to accessories such as batteries which must **NEVER** be disposed of in household waste, water or fire.

How do I dispose of Waste Electronic and Electrical Equipment (WEEE) correctly?

1. Take your item to your local recycling centre for advice.
2. Retailers may provide a way for customers to dispose of their old household electrical and electronic equipment when they sell them a new version of the same item, either through a collection service or a store take-back scheme. Check with your preferred retailer for details.
3. Some councils offer a household recycling collection service for small electrical items; contact your local authority for more details.

SYMBOLS ON THE MACHINE



The high pressure jet must not be directed at persons, animals, live electrical equipment or at the appliance itself - keep all bystanders at least 15m away.



The appliance must not be directly connected to the public drinking water network.



For protection against injury, wear ear defenders and safety goggles.



Wear safety gloves during use to protect hands.



Wear nonslip footwear that will protect your feet and improve your footing on slippery surfaces.



The declaration of the emission sound pressure level made as a dual-number noise emission declaration according to ISO 4871

Sound power level is 92dB(A)—YILI suggest 92dB



Conforms to relevant European Union and safety standards



For environmental protection this product should not be disposed of with household waste. Please recycle where facilities exist



Class II construction. Double Insulated.



Appears alongside instructions on how best to store product during winter season/prolonged cold weather.



In accordance with essential requirements for products sold in the United Kingdom.

Hilka Tools (UK) Ltd

GUARANTEE

This Hilka product comes with a 1 year guarantee
The Guarantee period becomes effective from the date of retail purchase as shown on the sales receipt

REMEMBER TO KEEP YOUR SALES RECEIPT

In the unlikely event this product develops a fault please visit our support website at www.hilka.co.uk/support in order to:

- Review troubleshooting tips
- Buy spare parts
- Arrange return of item for repair or replacement

TERMS AND CONDITIONS

- All claims should be within the 12 months guarantee period.
- You must supply with the return the original sales receipt showing the date purchased and the suppliers name and address.
- Claims made within the 1 year guarantee will be verified by Hilka Tools to establish if the fault relates to material or manufacturer of the item.
- All work will be carried out by Hilka Tools or its approved repair agents.
- Claims under the guarantee will be corrected by repair of the tool or replacement of a tool in working condition - this will not extend the period of the guarantee.

EXCLUSIONS AND EXCEPTIONS

The following are not covered by the guarantee:

- Normal wear and tear caused by use such as brushes , belts, bulbs or batteries.
- Accidental damage or faults due to neglect, careless handling or operation
- Modifications or use for non domestic purposes
- Repairs or alterations carried out by non approved repairer

UK
Hilka Tools (UK) LTD
Roebuck Road,
Chessington,Surrey,
KT9 1EU, UK
www.hilka.co.uk

EU
Hilka Tools (Ireland) LTD
Unit 3D North Point House
Cork T23 AT2P Ireland