

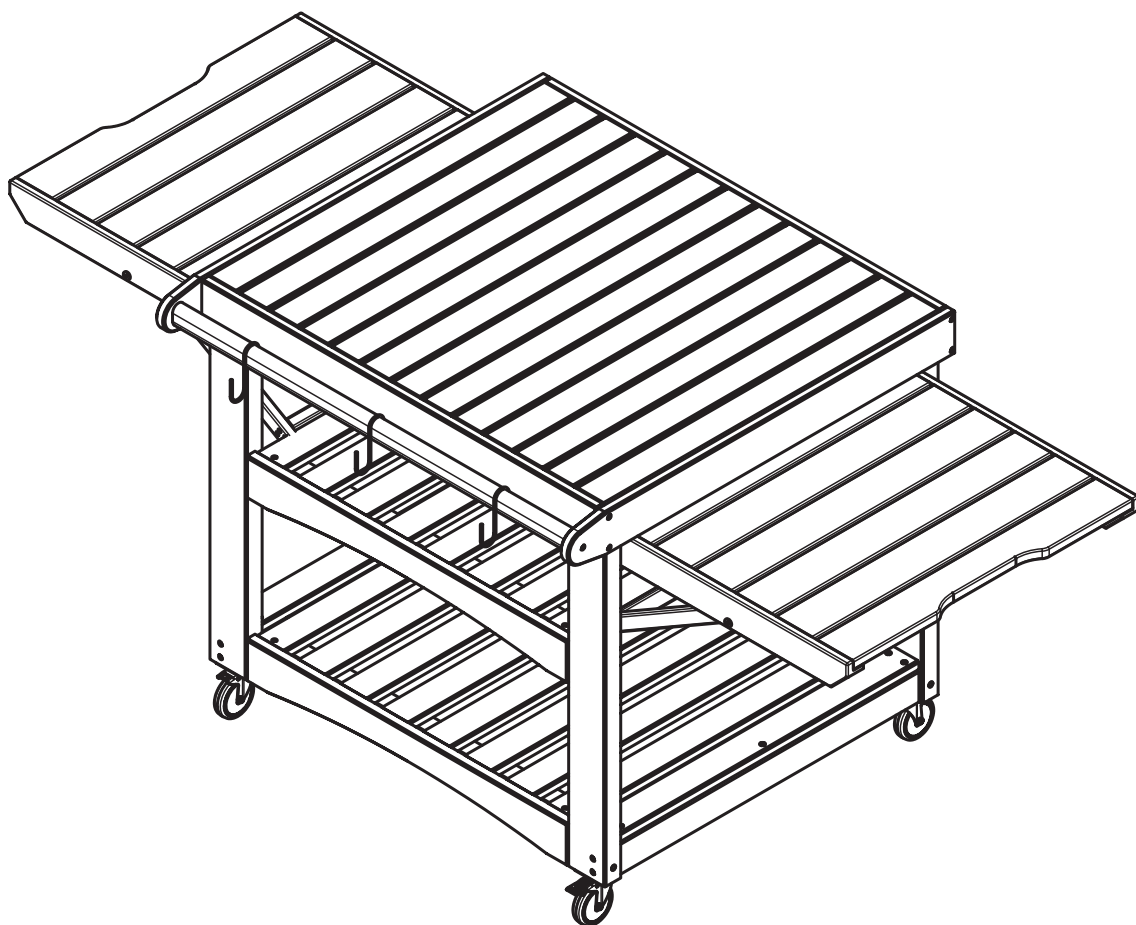


Assembly Instructions

Garden Drop-Leaf Table

Code: 49491

VI 02 26



Open (W x D x H) 2.01m x 0.93m x 0.90m

Closed (W x D x H) 0.99m x 0.93m x 0.90m



ONLINE ASSEMBLY VIDEO AVAILABLE

Please scan the QR code or visit zestoutdoorliving.co.uk/assembly-search



PLEASE KEEP THESE INSTRUCTIONS

Your new timber product is made to last.

Crafted from sustainable, PEFC–certified European redwood, this product is treated for durability in order to last for many years. The natural knots and variations in the wood give it unique character, and while small cracks may appear as the product settles into its environment, this is completely normal and doesn't affect its strength.

Important Assembly notes

- **Wood is a natural material** – it expands, contracts, and may shift slightly with changes in humidity and temperature. As a result, some components might need gentle pressure or realignment during assembly.
- **Do not fully tighten all screws at the beginning.** First, position and loosely fasten all brackets in the correct order to allow the structure to “settle.” Once all components are in place and aligned, you can proceed with final tightening.

Caring for Your Product

- To preserve the quality of your product, apply a **water-repellent preservative** at the end of summer and then once a year. This protects against fungal damage and discoloration, ensuring your product stays in top condition.
- Use soapy water and a stiff brush to **remove any build-up of dirt.** Ensure the wood is completely dry before applying any timber treatments.
- For tougher stains or to refresh the surface, lightly sand the wood with medium-grit sandpaper, then reapply a protective treatment.

Your product is treated to resist rot and decay, but mould can still form in damp conditions.

To minimise this:

- If possible, store in a dry, sheltered area during winter or extended periods of non-use to protect from moisture, frost, and extreme weather.
- Periodically inspect for **signs of mould.** You can use a **mild soap and water solution** to scrub the surface and clean off visible mould.
- **Harsh chemicals should be avoided,** as they may strip away the protective treatment on the wood.

Note: Always lift your furniture when moving it to protect the legs and supports from damage

Advisory Notices

- Roofs are weather resistant and not guaranteed to be watertight unless otherwise stated, and are not weight bearing.
- Items with enclosed storage or cupboard space are weather resistant and are not watertight unless otherwise stated.
- Sanitise all catering surfaces prior to use.



Ethically Sourced

Zest's slow grown European redwood is sourced from responsibly managed PEFC certified forests. This means forests are used in a way that maintains biodiversity, regeneration, and nature conservation. PEFC tracks certified timber from the forest to the final product giving complete confidence to the customer. www.pefc.co.uk

Essential Safety Information.



When Assembling:

- **Wear Protective Gear**
Use gloves and other protective equipment (e.g., safety glasses) to avoid splinters and dust. If the product includes stainless steel or glass components, be mindful of any sharp edges.
- **Follow Instructions**
Carefully adhere to the assembly guidelines, ensuring all nuts, bolts, and screws are fully tightened and secure by the end of construction. We recommend regularly checking the fixings to ensure they are tight and secure.
- **Packaging Materials**
Keep all packaging (e.g., plastic wrap, staples, nails) and fittings away from children. Dispose of the packaging material responsibly to avoid choking or injury hazards.
- **Ensure Stable Ground**
Assemble or place the product on level, stable ground to prevent tipping or collapse. Do not build or assemble the product in high winds.
- **Finger Trap Hazards**
Keep hands and fingers clear of hinges, folding mechanisms, or any moving parts to avoid pinch injuries.
- **Secure Gazebos and Structures**
Anchor or fix gazebos and similar large structures firmly to the ground or to supporting surfaces. This helps them withstand the windy conditions and prevents tipping.



When In Use:



- **Proper Use**
Do not stand on products unless explicitly designed for that purpose. Refrain from modifying the product in ways not recommended by the manufacturer.
- **Fire Safety**
If your product is intended for use near ovens, grills, or other heat-generating surfaces, follow all recommended safety distances and local fire regulations. Always ensure proper ventilation and exercise caution to avoid fire hazards or heat damage.
- **Children's Safety**
Supervise children at all times. Do not allow them to climb on furniture or use gazebos/structures in unintended ways.

Thank you for choosing Zest – bringing you closer to nature

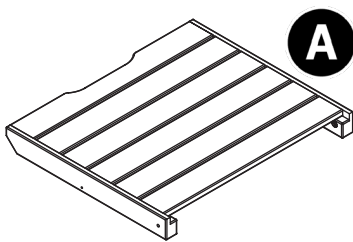
Garden Drop-Leaf Table Assembly Instructions

Requires 2 Person assembly

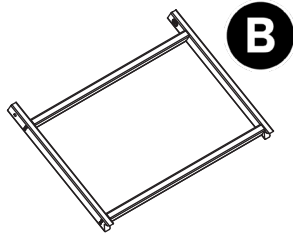
Tools required: Corded / Cordless Drill, Pozi-drive Bit / Screwdriver.

Please take a few moments to check all pack contents listed

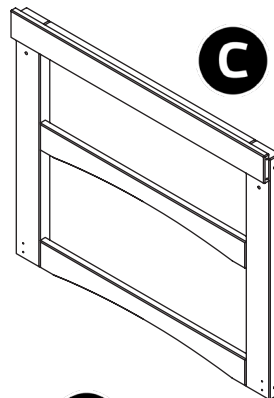
Garden Drop-Leaf Table Pack List			
Part Code	Item	Description	Quantity
53182	A	Folding Table	2
53183	B	Folding Table Arm	2
53184	C	Frame	2
53185	D	Brace	2
53186	E	Caster Block	4
53187	F	Base Fascia	2
53188	G	Middle Shelf	2
53194	H	Side Fascia	2
41705	J	Rail	1
41702	K	Worktop	1



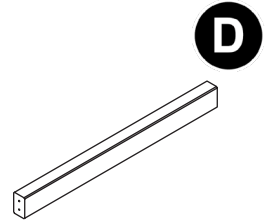
A



B



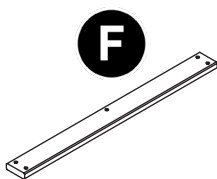
C



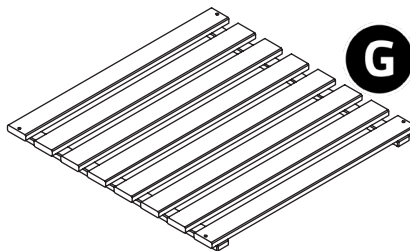
D



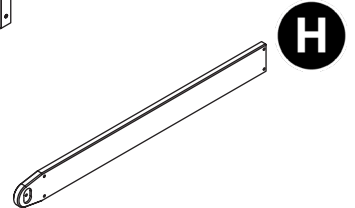
E



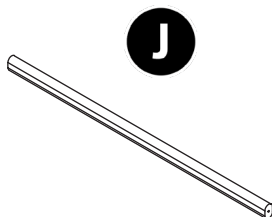
F



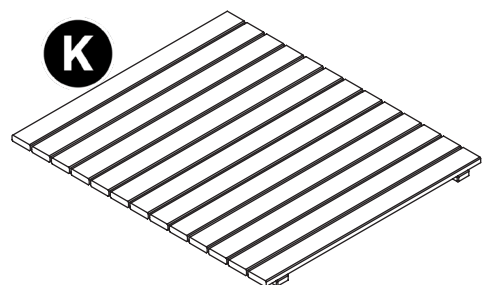
G



H



J

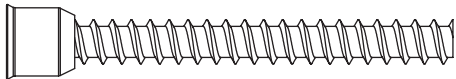


K

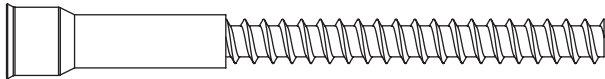
Garden Drop-Leaf Table Assembly Instructions

Code - 41699	Garden Drop-Leaf Table Fixings List	
Item	Description	Quantity
1	M6 x 50mm Conformat Screw	10
2	M6 x 70mm Conformat Screw	8
3	Bush	4
4	M5 x 55mm Pozi Screw	12
5	M4.5 x 35mm Pozi Screw	34
6	M6 x 80mm Hex Bolt	4
7	M6 x 60mm Hex Bolt	4
8	Locking Caster	2
9	Caster	2
10	Hook	3
11	Alan Key	1

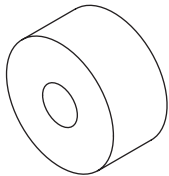
1. M6 x 50mm Conformat Screw



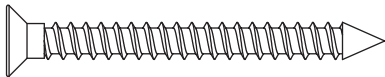
2. M6 x 70mm Conformat Screw



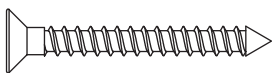
3. Bush



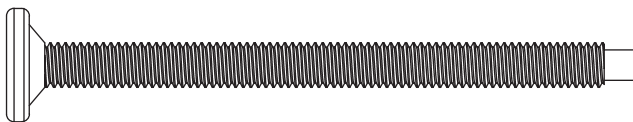
4. M5 x 55mm Pozi Screw



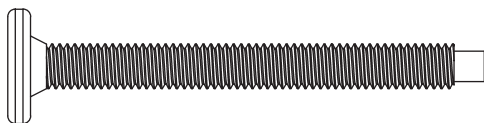
5. M4.5 x 35mm Pozi Screw



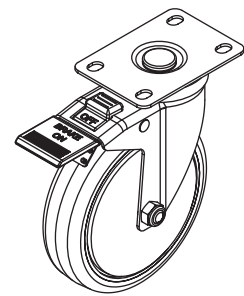
6. M6 x 80mm Hex Bolt



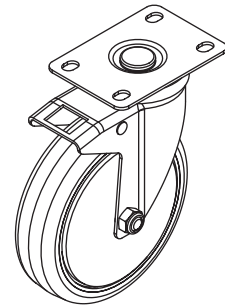
7. M6 x 60mm Hex Bolt



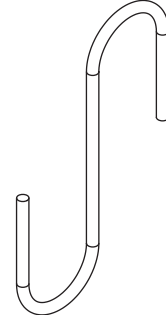
8. Locking Caster



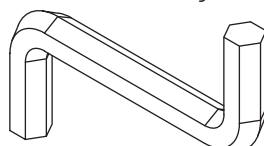
9. Caster



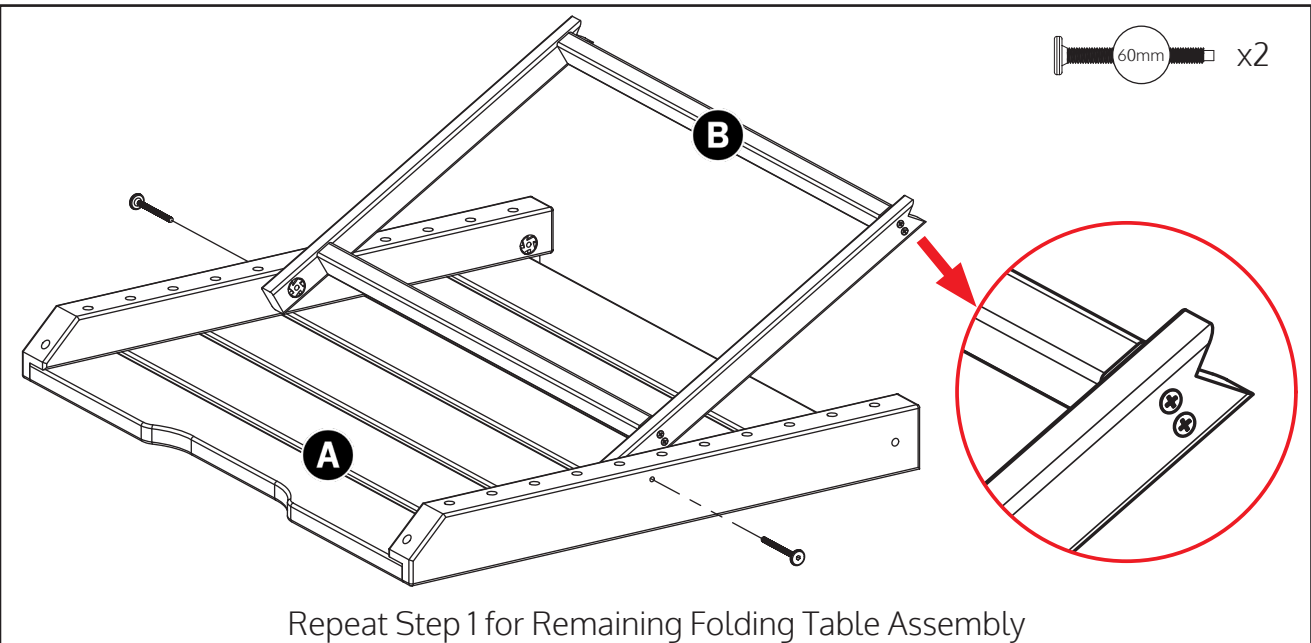
10. Hook



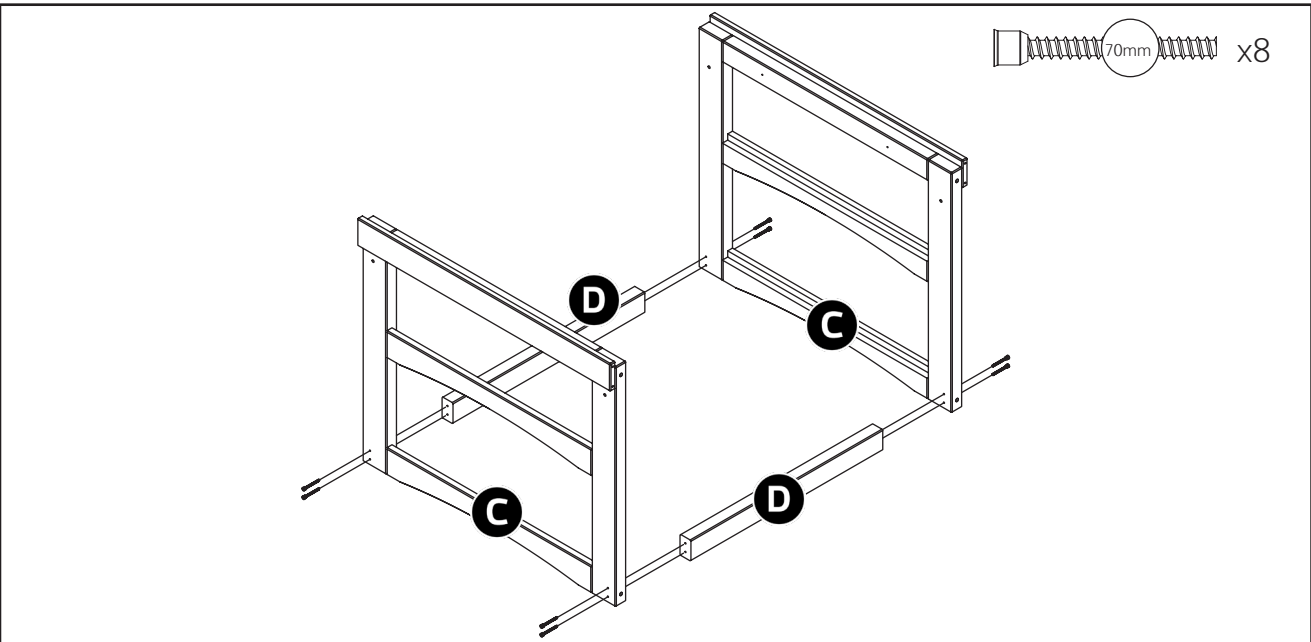
11. Alan key



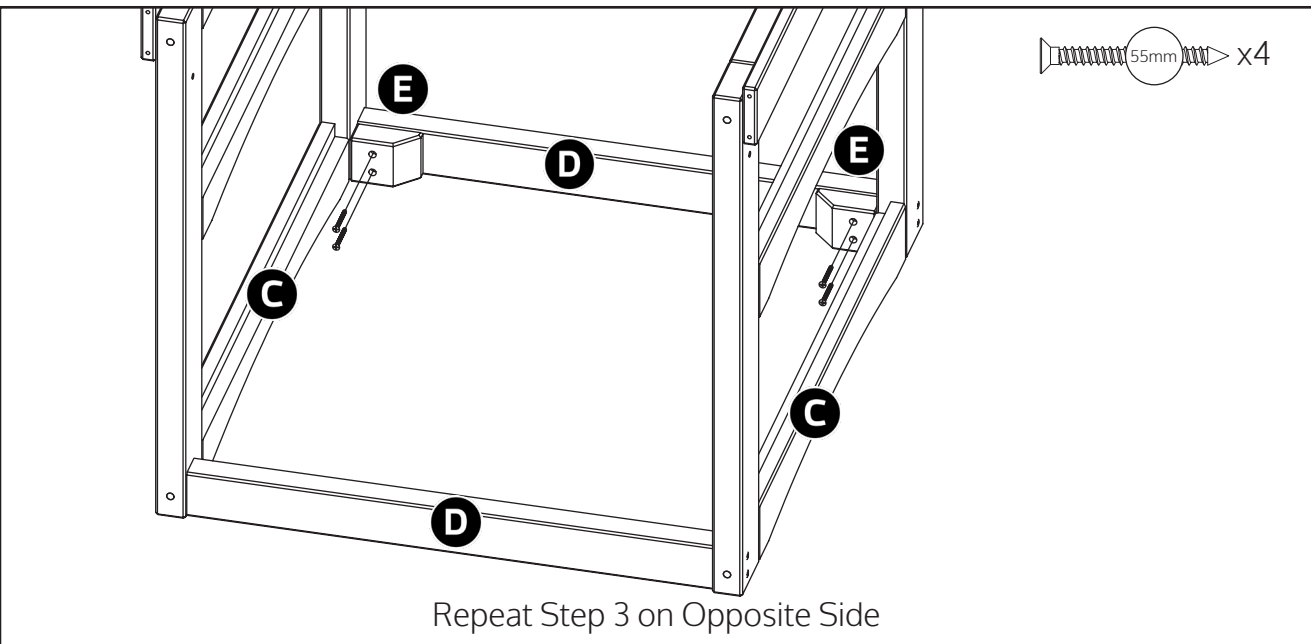
1



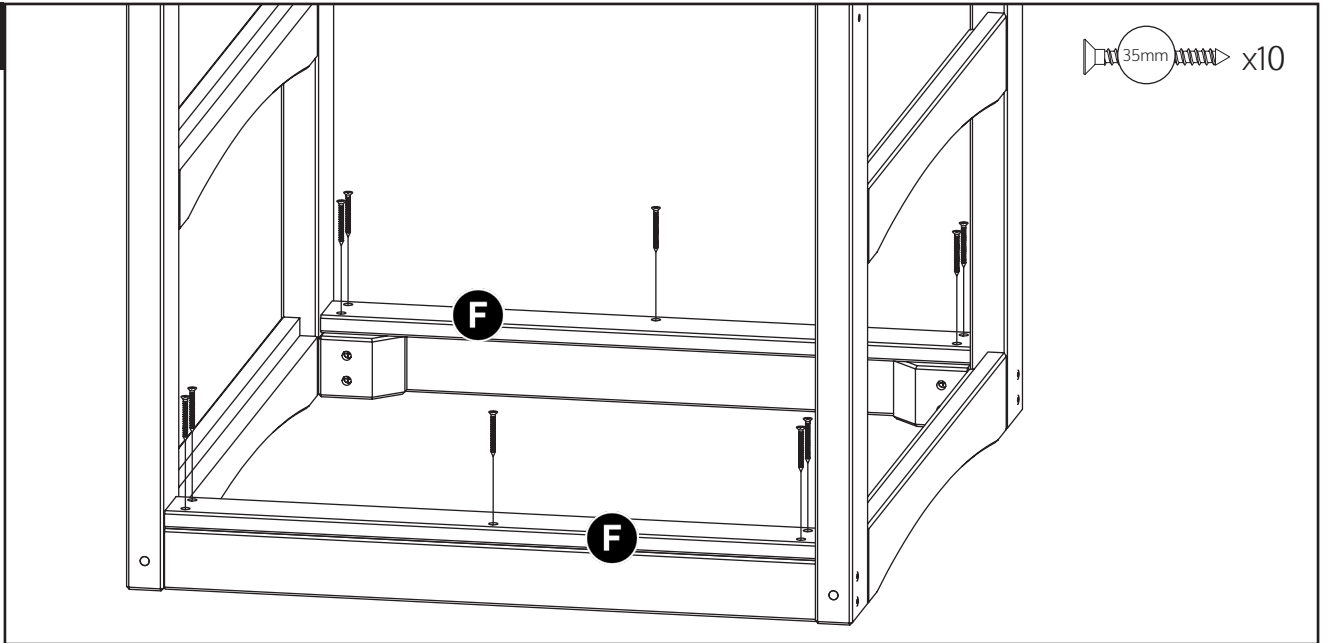
2



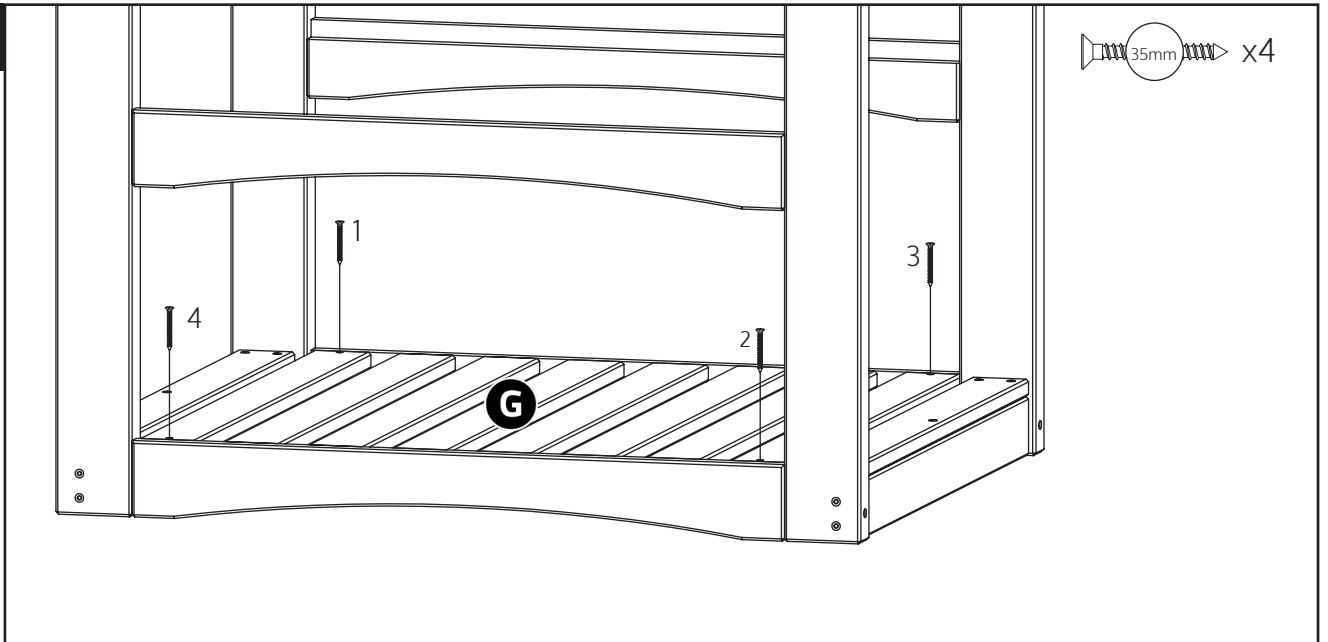
3



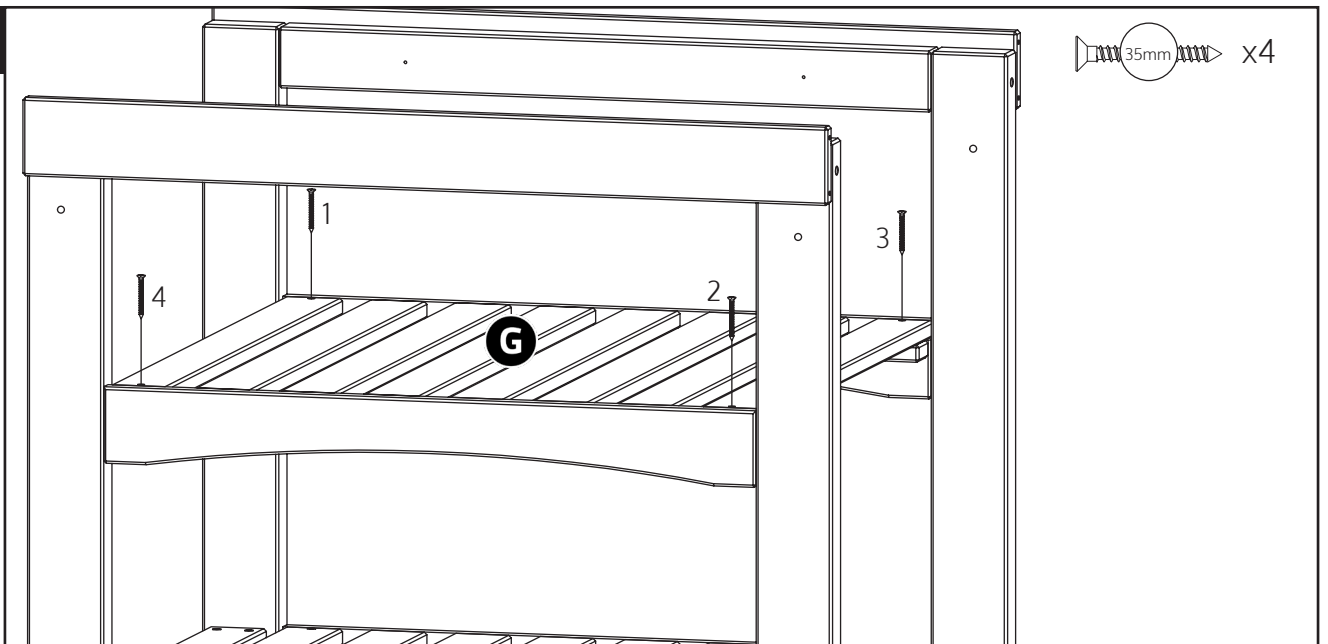
4



5



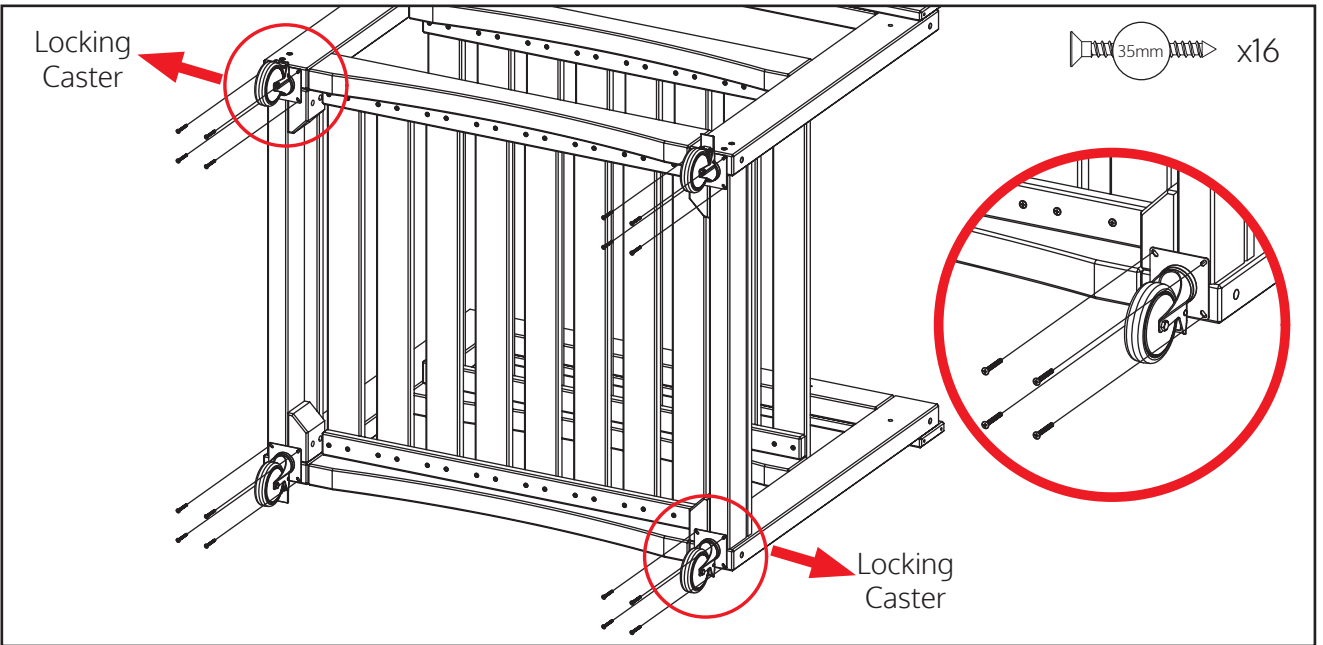
6



7

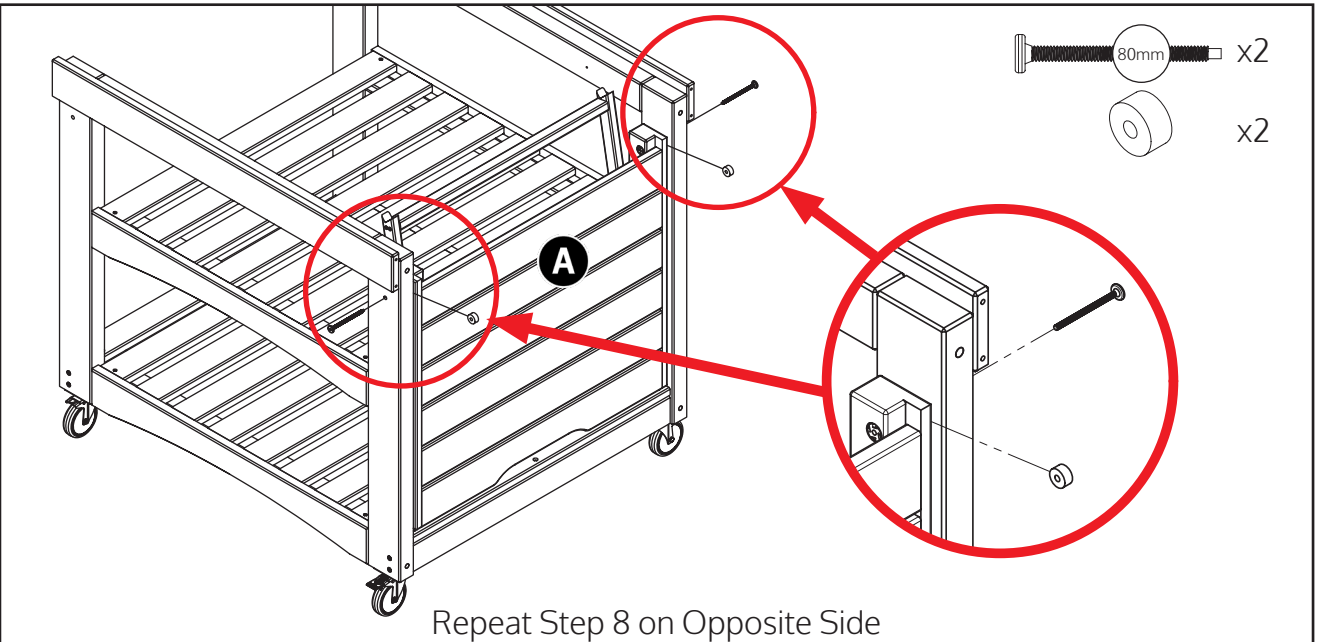
Locking
Caster

35mm x16



8

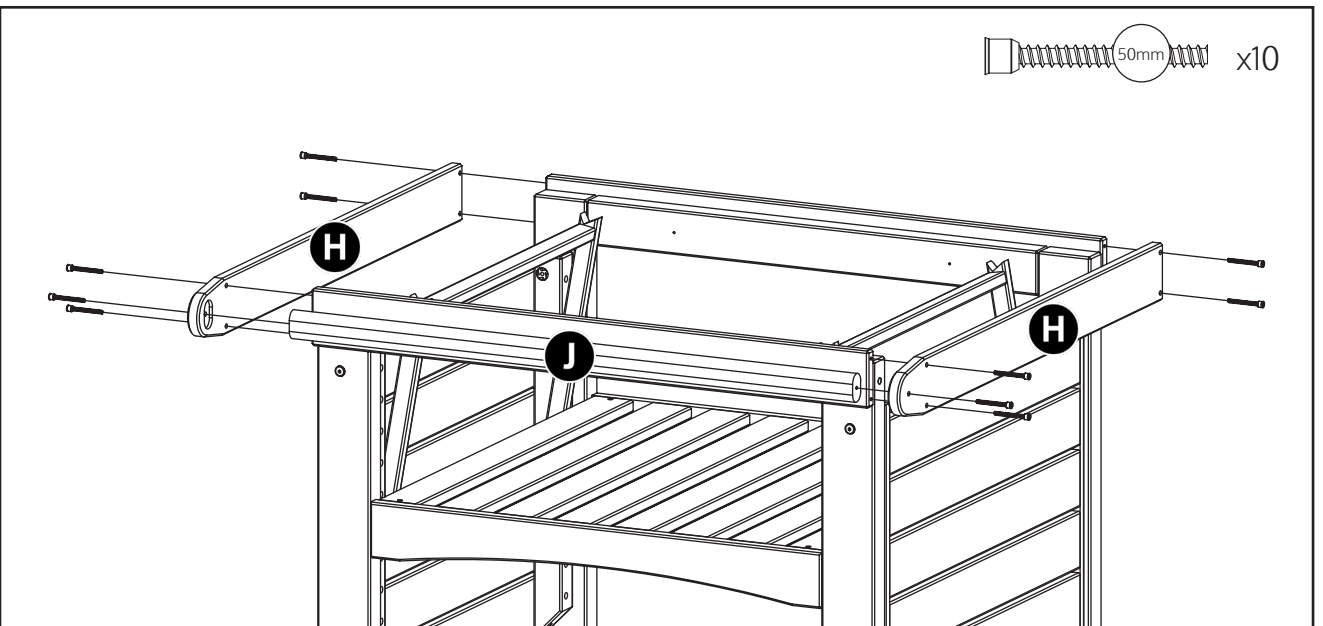
30mm x2
x2



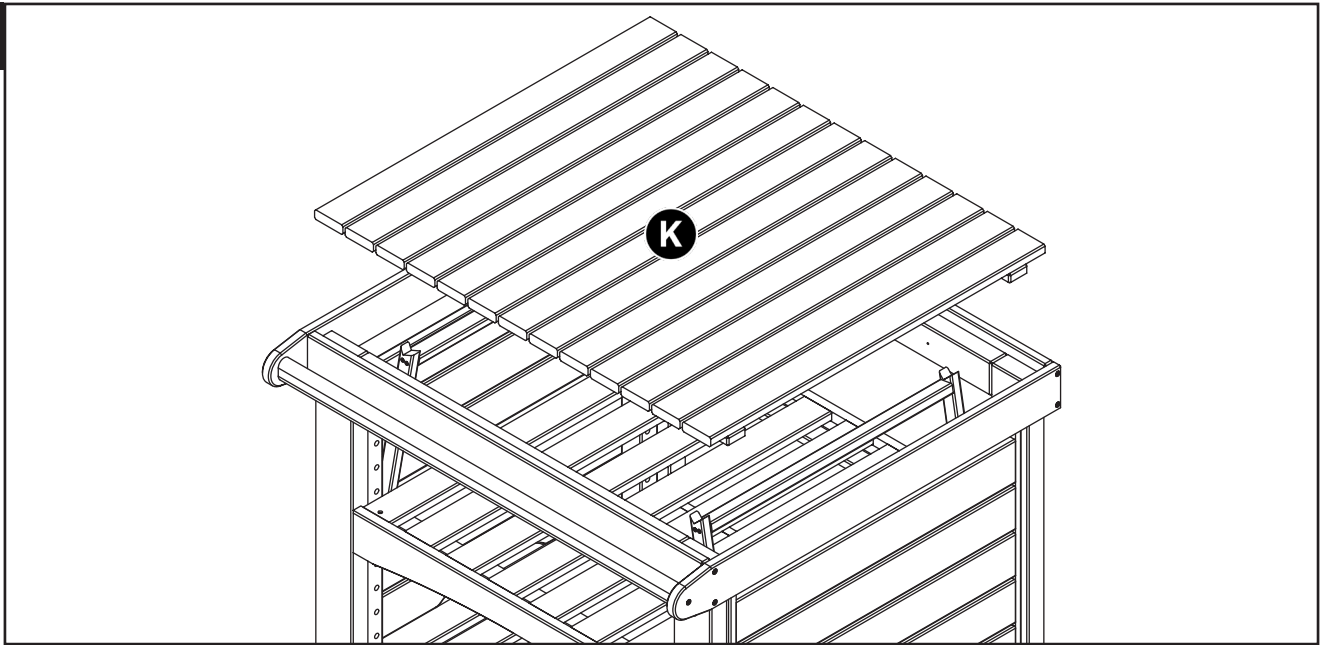
Repeat Step 8 on Opposite Side

9

50mm x10

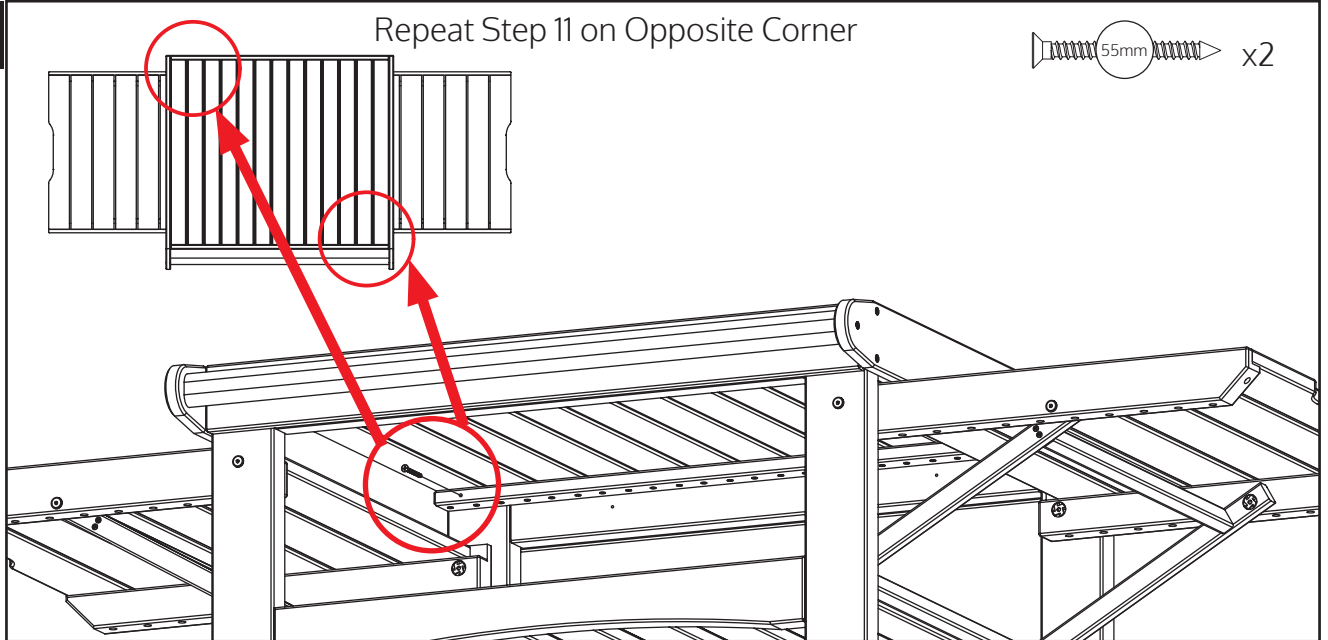
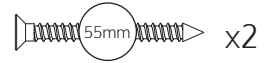


10



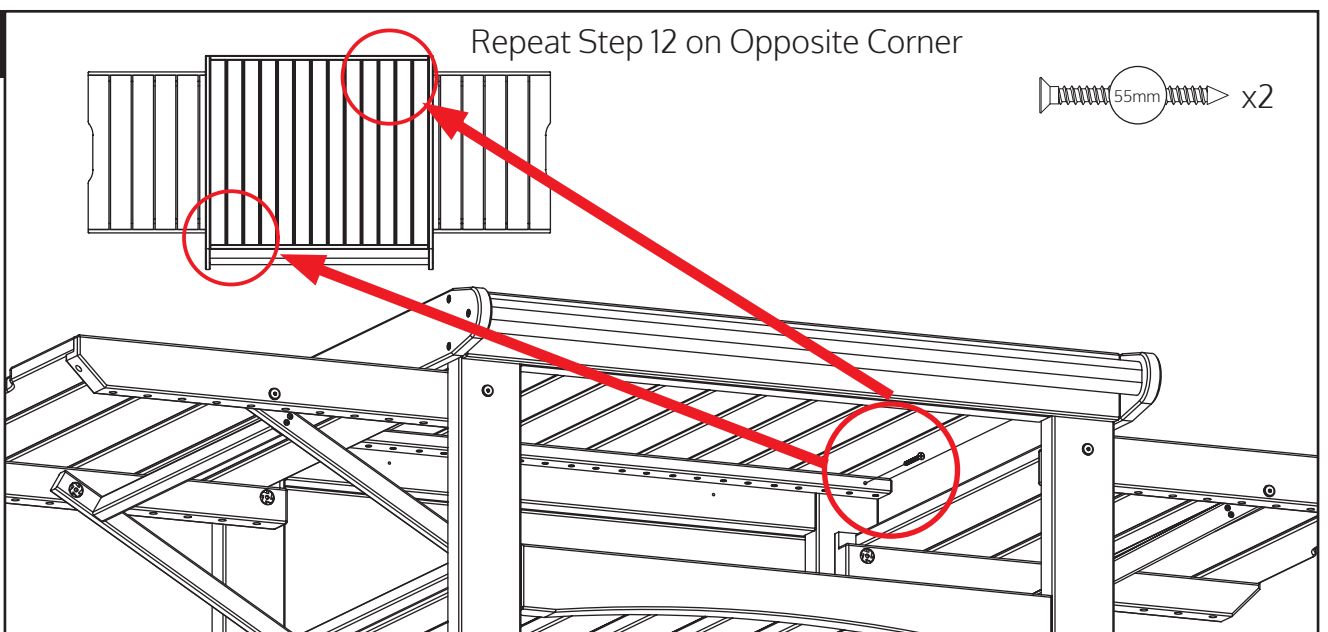
11

Repeat Step 11 on Opposite Corner

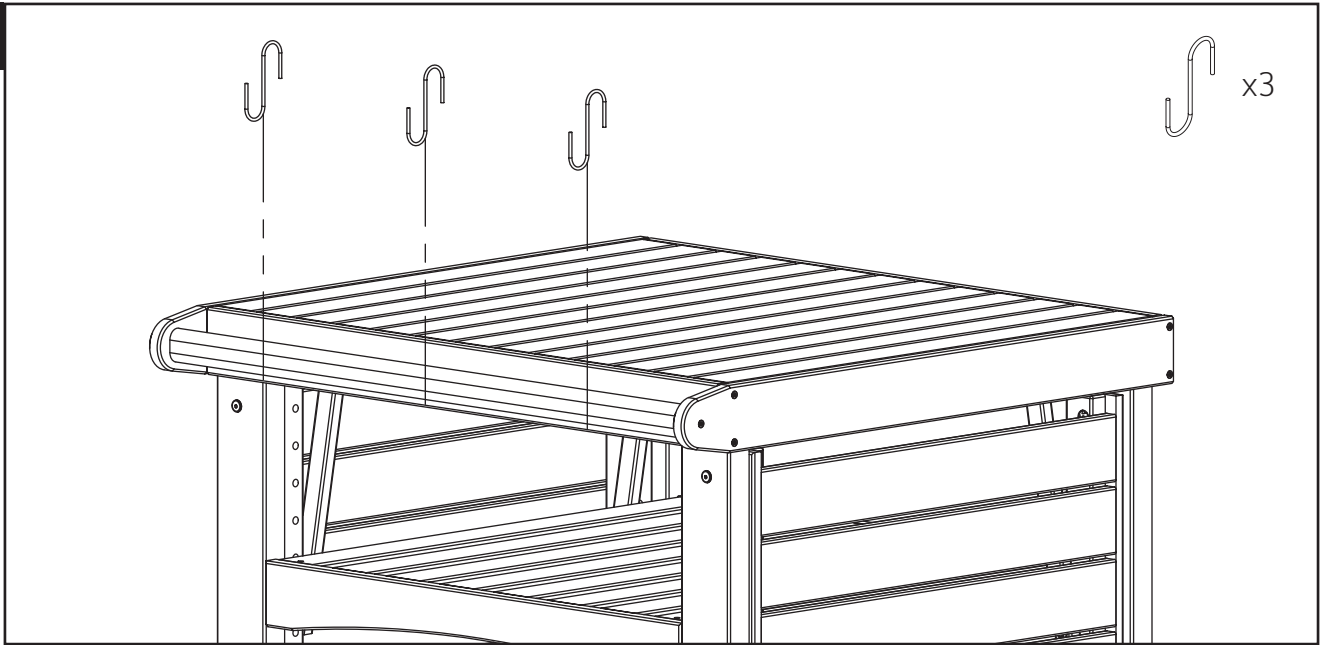


12

Repeat Step 12 on Opposite Corner



13



14



Your Garden Drop-Leaf Table is now complete.