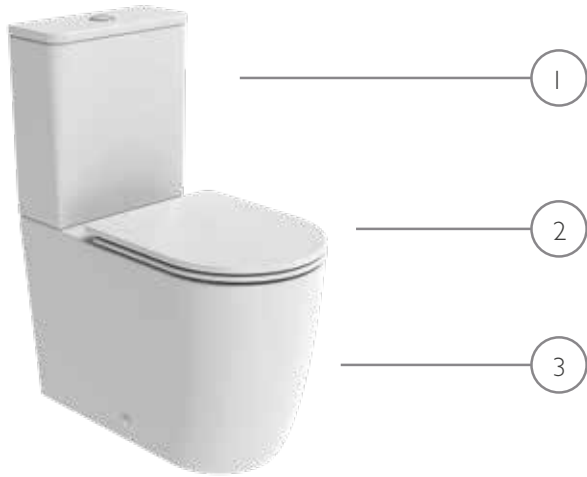


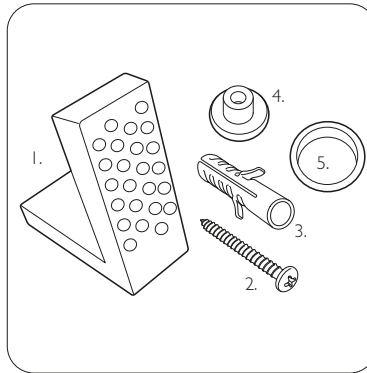
# TECHNICAL DATA SHEET

## Fully Enclosed Closed Coupled Open Back WC - 635017

NO.	Description	Fixings included	Gross Weight
1	Close Coupled Cistern	YES	13KG
2	Soft Close Slim Toilet Seat	YES	2KG
3	Fully Enclosed WC	YES	36KG

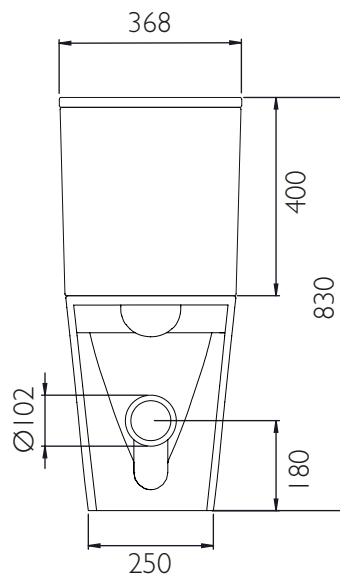
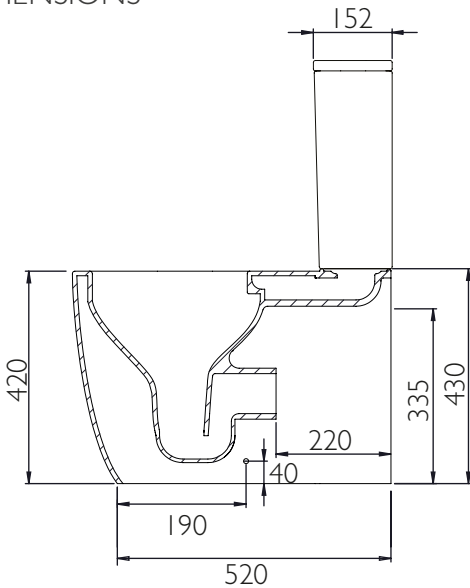


Floor Fixings

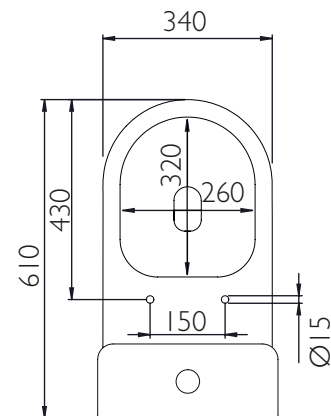


- 1. 2x Nylon Floor Bracket
- 2. 4x Stainless Steel Screws
- 3. 2x Nylon Screw Plugs
- 4. 2x Nylon Screw Collars
- 5. 2x Nylon Collar Caps (Metalic Finish)

### DIMENSIONS



DIAGRAMS NOT TO SCALE | ALL DIMENSIONS IN MM TOLERANCE OF ± 5MM  
ALL PRODUCTS CONFORM TO BRITISH STANDARDS



\*Dimensions are subject to change, customers are advised to measure actual product before commencing installation.  
\*\*Fixing point dimensions are for guidance only. The positions of fixings must be checked when product is received.

### FAQs

Q - Where is the inlet valve?  
A - Bottom inlet, back right of the pan.

Q - What is the flush volume?  
A - 6/4L

Q - Can this pan be used with a side connection outlet pipe?  
A - Yes.

Q - Is this WC rimless or box rim?  
A - Rimless

Q - Are there any spares?  
A - Yes, spares are available. Contact customer services if required.

Q - What finish are the hinge covers supplied with the seat?  
A - Chrome

Q - Can the seat hinges be upgraded to a different finish?

Q - What colour finish is the seat?  
A - Keramik White

Key Dimensions Descriptions	Key Dimensions (mm)
Front to Back Footprint	520mm from wall
Left to Right Footprint	250mm
Bowl Front to Back	320mm
Bowl Left to Right	260mm
Pan Height	420mm
Pan Overall Front to Back	610mm
Centre Waste Outlet to Floor	180mm
Width of Void	180mm
Is there a Ceramic Brace Bar	No
Distance from Spigot to Wall	220mm