

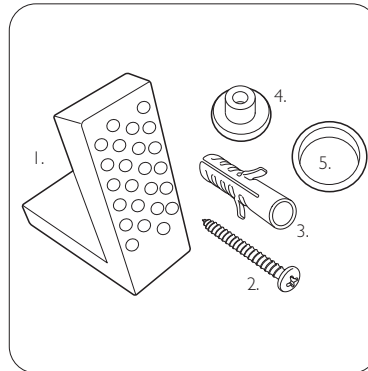
# TECHNICAL DATA SHEET

BTW WC - 635004

NO.	Description	Fixings included	Gross Weight
1	BTW Pan	YES	26KG
2	Soft Close Lift Off Toilet Seat	YES	2KG



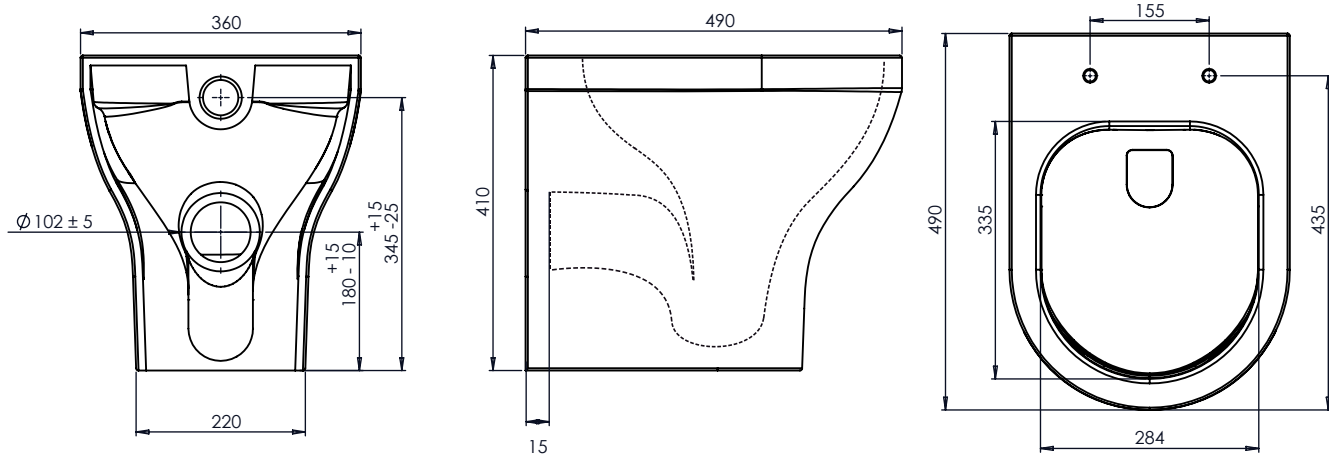
Floor Fixings



- 1. 2x Nylon Floor Bracket
- 2. 4x Stainless Steel Screws
- 3. 2x Nylon Screw Plugs
- 4. 2x Nylon Screw Collars
- 5. 2x Nylon Collars Caps (Metalic Finish)

## DIMENSIONS

DIAGRAMS NOT TO SCALE | ALL DIMENSIONS IN MM TOLERANCE OF  $\pm 5$ MM  
ALL PRODUCTS CONFORM TO BRITISH STANDARDS



\*Dimensions are subject to change, customers are advised to measure actual product before commencing installation.

\*\*Fixing point dimensions are for guidance only. The positions of fixings must be checked when product is received.

## FAQs

Q - Rim Type?  
A - Rimless

Q - What is the flush volume?  
A - 6/3L

Q - What finish is the ceramic glaze?  
A - Alpine White

Q - Are there any spares?  
A - Yes, spares are available. Contact customer services if required.

Key Dimensions Descriptions	Key Dimensions (mm)
Front to Back Footprint	360mm
Left to Right Footprint	220mm
Bowl Front to Back	335mm
Bowl Left to Right	284mm
Pan Height	410mm
Pan Overall Front to Back	490mm
Centre Waste Outlet to Floor	180mm + 15mm - 10mm
Width of Void	180mm
Is there a Ceramic Brace Bar	No
Distance from Spigot to back of Pan	15mm