

Technical Datasheet

Illuminated Mirrors

Box Contents:

Mirror | Fixing Kit | Instructions booklet

FAQ

	Units	634964	634968	634970	634971
Can the mirror be hung landscape?	-	Yes		NA	
What is the thickness of the mirror glass?	mm	4			
What size fuse should I use?	-	Seek the advice of an electrician			
Where is the switch sensor located?	-	Bottom Centre (Portrait) Right (Landscape)		Bottom Centre	
Can the LED lighting be replaced?	-	No			
Can the switch sensor be replaced?	-	Yes			
How do I turn on the demister pad?	-	The demister pad will turn on when the LEDs are turned on.			
Are illuminated mirrors supplied with mains cable?	-	All illuminated cabinets/mirrors are supplied with a removeable 500mm mains cable.			
Why are the lights not switching on?	-	Please note: After the mirror is connected to power for the first time, it may take up to 5 minutes for the sensor to calibrate and become fully responsive.			

Please note:

- Dimensions are subject to change. Customers are advised to measure actual product dimensions before commencing installation.
- Fixing point dimensions are for guidance only/the positions of wall fixing must be checked when product is received.
- The LED (lm) values represent the output of the LED. Actual product level Lumen output may vary depending on the diffuser material i.e., glass or acrylic.

Materials:

4mm Glass, PVC Backed
Aluminium
Silicon Diffuser

Technical Datasheet

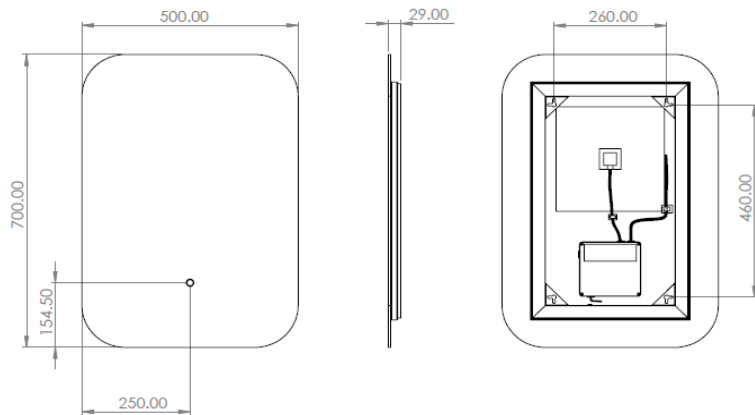
Illuminated Mirrors

Electrical Specification

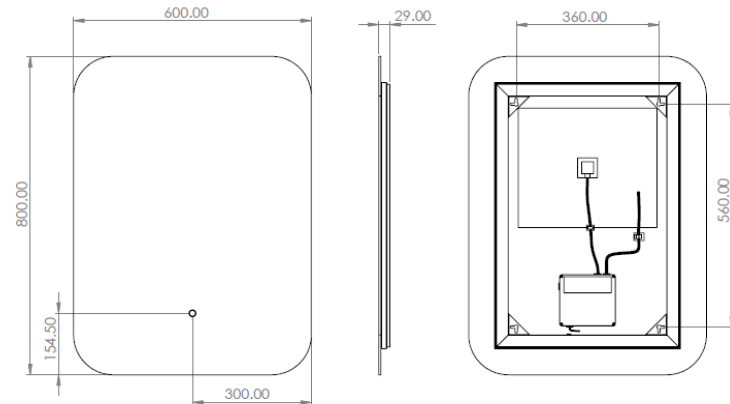
Product Code	Input Voltage	Lamp Type	Total Wattage (LED & Demist)	Demist (W)	Demist Size (mm)	LEDs (W)	LED (lm)	Energy Rating	CCT (K)	CRI	IP Rating	Electrical Class
634964	220-240V 50Hz	24V DC LED Lamp	34	13	250*250	17	950	E	3000 - 6500	80	IP44	Class II
634968	220-240V 50Hz	24V DC LED Lamp	44	20	350*300	20	1125	E	3000 - 6500	80	IP44	Class II
634970	220-240V 50Hz	24V DC LED Lamp	30	10	250*200	15	1700	E	3000 - 6500	80	IP44	Class II
634971	220-240V 50Hz	24V DC LED Lamp	47	23	400*300	20	2350	E	3000 - 6500	80	IP44	Class II

Technical Drawings

634964

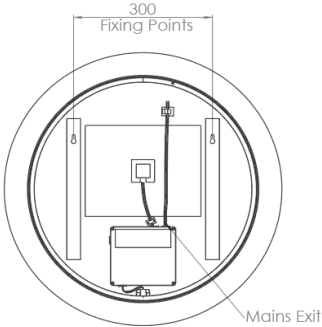
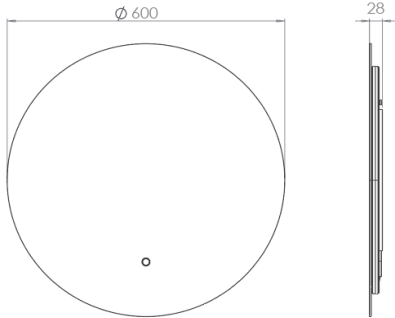


634968



Technical Datasheet

634970



634971

