











# GOLDEN SELECT™

## GOLDEN SELECT™ HOT AND COLD PLUNGE TUB KIT MANUAL GUIDE

**IMPORTANT: READ ALL INSTRUCTIONS CAREFULLY BEFORE USING. RETAIN FOR FUTURE REFERENCE**

Thank you for choosing the Golden Select™ Hot and Cold Plunge Tub Kit. The Golden Select™ Plunge Tub provides both cold and heat therapy to suit your needs **with an anti-dust outdoor cover**. Please review and follow the instructions included. With proper understanding and regular maintenance, your Plunge Tub will deliver many years of reliable performance. If you have any questions not covered in this manual, please contact your dealer. This product has been third-party tested and certified for compliance with **EN IEC 55014-1:2021, EN IEC 55014-2:2021, EN 61000-3-2:2019/A1:2021, and EN 61000-3-3:2013/A2:2021** standards for electromagnetic compatibility. Installation and use of this Hot and Cold Plunge Tub Kit must comply with all applicable national and local electrical codes.

### Table of Contents

 1. Safety In and Around the Plunge Tub .....	2
 2. Product Dimensions and Technical Characteristics .....	5
 3. Product Disassembly and Packaging.....	6
 4. Electrical Wiring Instructions .....	7
 5. Fill-Up Procedure & Water Chemistry .....	8
 6. Use Operation .....	9
 7. Control Operation.....	10
 8. Maintenance .....	12
 9. Warranty .....	12
 10. Warranty Exclusions.....	13



### **1. Safety In and Around the Plunge Tub**

#### **1. Child Safety & Supervision**

- Children must be under constant adult supervision when the unit is in use.
- Secure the cover with straps and clip tie-downs whenever the unit is not in use to prevent unauthorized entry and protect against wind.
- Children must not play near suction fittings, suction covers, filters, filter lids, or the skimmer assembly.

#### **2. Entrapment Safety**

- Always operate only with all protective components installed and undamaged.
- Keep hair, loose clothing, jewelry, and accessories away from suction fittings, suction covers, filters, filter lids, and skimmer components.
- Do not use the tub if any suction fitting, suction cover, or filter is broken, damaged, or missing.
- Replacement parts must be flow-rate compatible with the pump(s). Do not replace a suction fitting or cover with one of lower flow-rate rating than the original.
- Suction covers must be replaced every 7 years.

##### **Entrapment types to avoid:**

- Hair: Avoid submerging hair near suction or skimmer assemblies.
- Limb & Body: Never insert arms, legs, or torso into suction/outlet openings.
- Evisceration: Never sit on suction fittings/covers, filters, filter lids, or skimmer assembly.
- Mechanical: Keep swimsuits, jewelry, and hair accessories away from suction/skimmer assemblies.

#### **3. Temperature Safety**

##### **A) Hyperthermia (High Temperature)**

- Max water temperature: 104°F (40°C). Typical safe range for healthy adults: 100–104°F (38–40°C).
- Prolonged immersion in hot water increases risk of dizziness, nausea, fainting, drowsiness, burns/welts, reduced awareness, inability to exit, loss of consciousness, and drowning.
- Pregnancy: High temperatures may pose fetal risk; consult a physician and limit to  $\leq 100^{\circ}$  F ( $38^{\circ}$  C).
- Alcohol/drug use significantly increases hyperthermia risk.

##### **B) Hypothermia (Low Temperature)**

- Risk begins when core temperature drops to 95°F (35°C); prolonged immersion in <70°F (21.11°C) water is harmful.
- Limit submersion to  $\leq 10$  minutes in very cold water.
- Symptoms may include shivering, confusion, slowed reflexes, weak pulse, drowsiness, poor coordination, loss of consciousness, and drowning risk.
- Children and elderly are especially vulnerable and should use lower exposure durations and be supervised.
- After cold immersion, actively rewarm; the body can continue cooling post-exit.
- Always verify temperature with a reliable thermometer. Control devices may vary by  $\pm 5^{\circ}$ F ( $\pm 2^{\circ}$ C).

### 4) Health & Use Precautions

- Consult a physician before use if pregnant or maybe pregnant; if you have heart disease, abnormal blood pressure, circulatory issues, diabetes, obesity, infectious illnesses, immune disorders, or any condition requiring treatment.
- Medications: Some can cause drowsiness or affect heart rate, blood pressure, or circulation—consult a physician.
- Stop using it immediately and consult a physician if you experience difficulty breathing.
- Do not use the Tub immediately after strenuous/intense physical activity.
- Do not use while under the influence of alcohol or drugs.

### 5) Water quality & Hygiene

- Maintain proper water chemistry according to manufacturer guidelines to reduce risk of infection and prevent component damage.
- Individuals with infectious diseases must not use the unit.
- Shower before and after use to help reduce contamination and health risks.

### 6) Ventilation (Indoor Installations)

- Provide adequate ventilation to reduce risk of waterborne illness and respiratory issues from air/water contaminants.
- Indoor setup must be evaluated by a licensed architect/engineer to vent condensation, warm moist air, and chemical odors outdoors.
- During operation, moisture may promote mold/mildew, pose health risks, and damage nearby surfaces/equipment—ventilation is essential.

### 7) Electrical Safety, Grounding & Bonding

- Install the unit  $\geq$  5 ft (1.5 m) from all metal surfaces or permanently bond them using No. 10 AWG (6 mm<sup>2</sup>) solid copper conductors.
- Keep electrical appliances (lamps, phones, radios, TVs)  $\geq$  5 ft (1.5 m) away unless manufacturer-built-in. Never operate electrical devices inside the unit or when wet.
- 
- An earth terminal is fitted within the Hot and Cold Plunge Tub Kit; the customer is responsible for connecting the earth wire..
- Bonding connector: Attach a minimum 10 AWG (6 mm<sup>2</sup>) solid copper conductor between the unit and any metal equipment, enclosures, water pipes, or conduit within 5 ft (1.5 m).
- All field-installed metal components (rails, ladders, drains, similar hardware) within 10 ft (3 m) is bonded with copper conductors no smaller than No. 10 AWG (6 mm<sup>2</sup>).
- The Plunge Tub connects to a BS 1363 13 A socket outlet on a 230 V~, 50 Hz supply.
- The circuit supplying the socket has an additional protection by a 30 mA RCD.

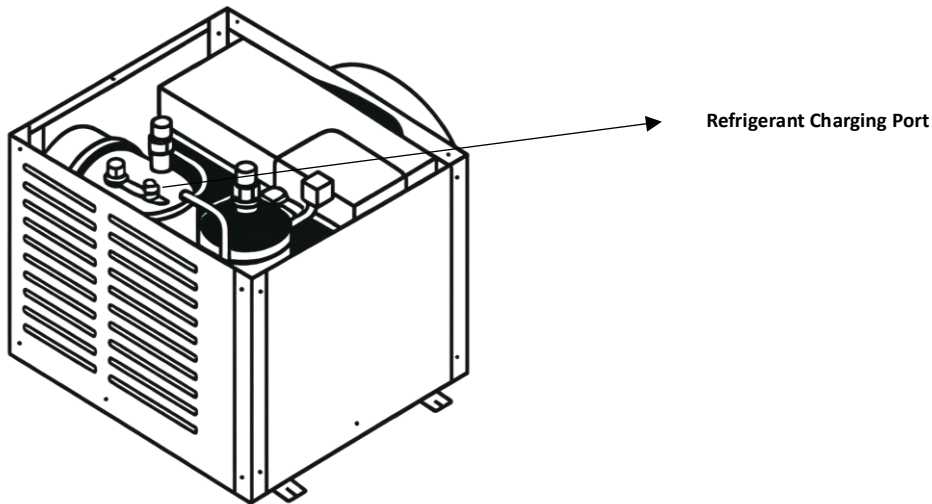
### 8) Heat Pump & Refrigerant Safety (Service)

- The heat pump contains high voltage and moving parts; disconnect power before opening the cabinet and wait  $\geq$ 5 minutes after shutdown (variable-frequency drive retains charge).
- Installation and repairs must be performed only by qualified HVAC technicians.
- Refrigerant is pressurized; only trained and certified personnel may open/service the circuit.
- Refrigerant must be properly recovered before opening.
- Some refrigerants may be odorless and hard to detect.
- Do not use defrosting/cleaning methods, not recommended by the manufacturer.

# GOLDEN SELECT™

## GOLDEN SELECT™ HOT AND COLD PLUNGE TUB KIT MANUAL GUIDE

- Store the appliance in a room without continuously operating ignition sources (open flames, gas appliances, electric heaters).
- Do not puncture or burn the appliance.
- Outdoor installation is recommended; ensure proper ventilation if installed indoors. Recommended year-round outdoor safety placement/storage temperature: +5°C to +40°C with frost protection.
- Under the normal condition of usage, the refrigerant is good to 18-24 months. To replace refrigerant, R32, it is essential to hire a local professional holding the UK Fluorinated Gas (F-Gas) Certificate- Category I.



### 9) Equipment Safety & Compliance

- Always disconnect power before installation or maintenance.
- Read and follow all procedures and safety instructions on the equipment and in the manual. The owner is responsible for proper installation per manufacturer instructions and regulations.
- The manufacturer is not liable for injuries or damage resulting from installation that contradicts this manual.
- Any use outside intended design is considered hazardous.
- Warranty may be voided if the equipment is improperly installed, maintained, or serviced.

### 10) Location, Placement & Clearance

- Support surface must be smooth, flat, level, and capable of uniform, long-term load support (combined weight of unit, water, and users). The owner is responsible for verifying ongoing structural integrity.
- Airflow: Do not install in enclosed rooms with limited air volume where expelled air can recirculate, or near dense shrubbery that blocks the air inlet.
- Access: Ensure there are no obstructions that prevent removal of cabinet panels or block equipment access. Maintain  $\geq 0.9$  m clearance around the entire unit (especially near vents).
- Drainage: Prevent the equipment bay from flooding or exposure to external water; comply with codes and local construction requirements (consult your local authority if unsure).
- Elevated placements (balcony/roof/platform) not tied into primary structural support require consultation with a licensed Structural Engineer.
- Outdoor siting tips: Near a changing area/shelter; debris-free pathway; away from trees/shrubs; in a sheltered area; avoid roof overhangs without gutters; avoid reflective surfaces/glass; plan  $\geq 3$  ft servicing clearance; do not use shims—unit must rest fully flat.
- Settle time: Keep the unit in place for 24 hours before turning on power, filling, or adding chemicals.

# GOLDEN SELECT™

## GOLDEN SELECT™ HOT AND COLD PLUNGE TUB KIT MANUAL GUIDE

### 11) Regulatory & Use Limitations

- Residential use only; not intended or designed for commercial or public use.
- The buyer is responsible for determining applicable local codes or regulations for installation/operation.

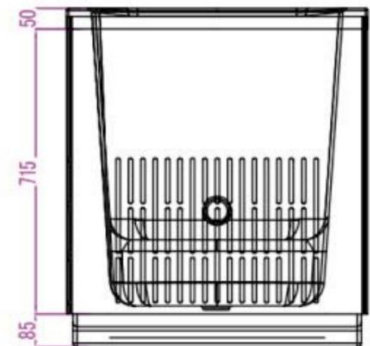
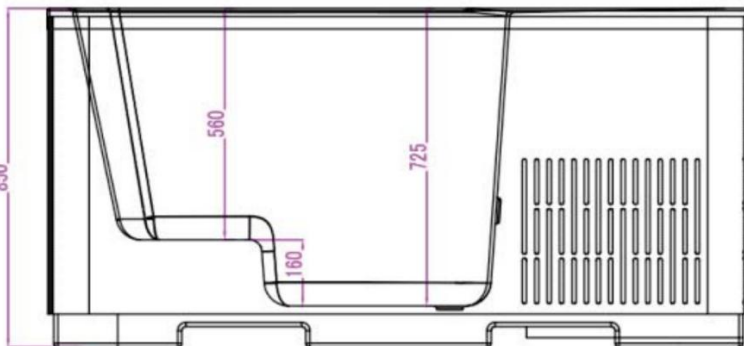
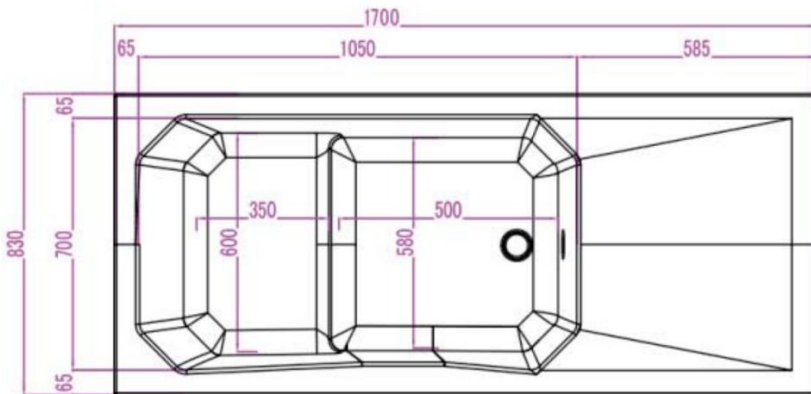
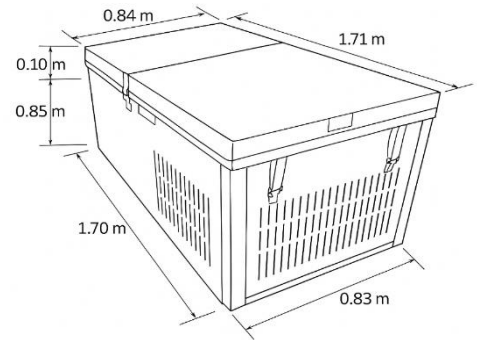
### 12) Operational Conduct

- Do not dive or jump into the unit; wet surfaces can be slippery. Enter and exit slowly.
- Do not stand, walk, or sit on the top railing.
- Extended immersion (hot or cold) may be harmful—limit exposure accordingly.

### 2. Product Dimensions and Technical Characteristics

Kit includes: 1 acrylic white tub with integrated chiller and 1 black cover.

- Tub Dimensions: 1.70 m x 0.83 m x 0.85 m
- Cover Dimensions: 1.71 m x 0.84 m x 0.1 m



\*The above purple dimensions are in mm.

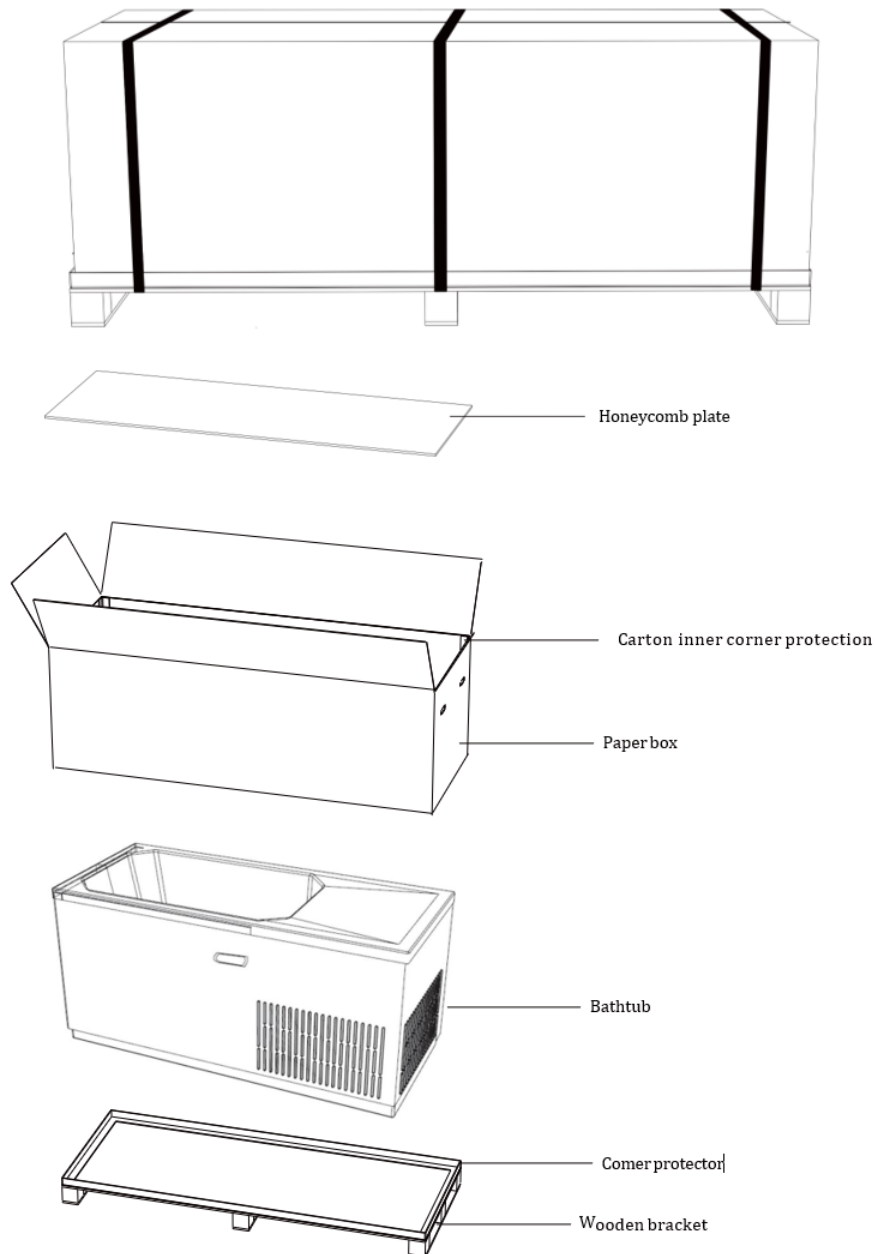
### Technical Parameters

1. Power consumption: ≤5W	6. Working voltage: 220-230V ± 10% 50/60Hz
2. Output load: compressor ≤ 20A, others ≤ 5A	7. Working environment: -10 °C ~ 50 °C RH ≤ 95%
3. Display range: 3~40 °C	8. Control objects: compressor, fan, four-way valve, light and water pump
4. Control range: -19~70 °C (factory 25 °C)	9. Input signal: one way temperature sensor (NTC: 10K) and three-way switch detection
5. Resolution: 0.1 °C, accuracy: ±1 °C	10. Opening size of display screen: 130 long x Width 80 x Depth 25 (unit: mm)



### 3. Product Disassembly and Packaging

The packaging consists of wooden brackets, corner protectors, honeycomb panels, and cardboard box.



# GOLDEN SELECT™

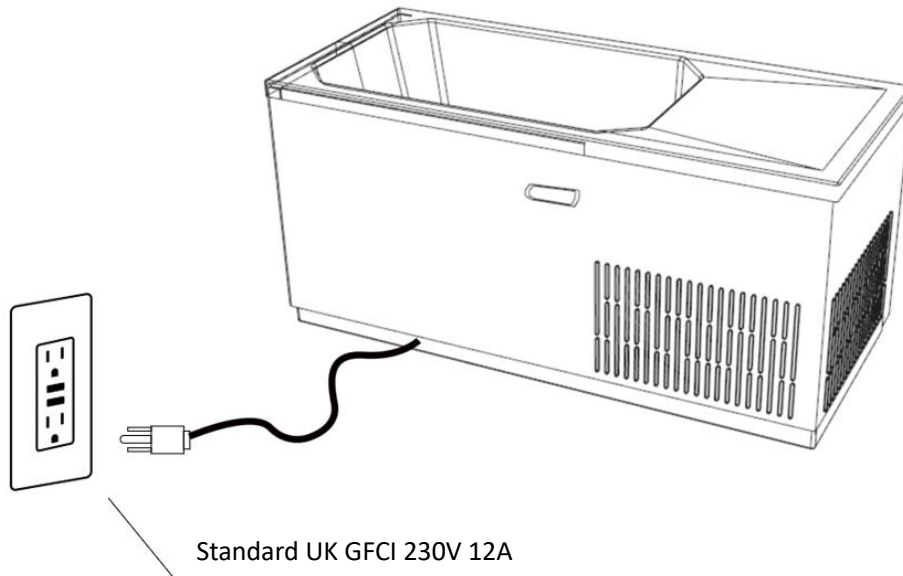
## GOLDEN SELECT™ HOT AND COLD PLUNGE TUB KIT MANUAL GUIDE



### 4. Electrical Wiring Instructions



**WARNING: THE UNIT MUST BE CONNECTED ONLY TO A SUPPLY CIRCUIT THAT IS PROTECTED BY A GROUND-FAULT CIRCUIT INTERRUPTER (GFCI). A GFCI IS NOT INCLUDED AND MUST BE INSTALLED BY A QUALIFIED ELECTRICIAN. PLUG IN THE ELECTRICAL CORD INTO THE GFCI PROTECTED OUTLET. CONNECT THE DRAIN LINE TO THE TUB DRAIN USING TEFLON TAPE.**



### Heat Pump Technical Specifications

Specification	Value
Power Supply	230V 50/60Hz 1Ph
Total Input Current	12A
Rated Power	1200W
Rated Cooling Capacity	2700W
Rated Heating Capacity	2975W
Compressor	RLAA: 9.35A LRA: 43A
Fan Motor	FLA: 12A
Water Flow	1–2.5 m <sup>3</sup> /h
Refrigerant	R32
Amount of Refrigerant Charged	180 g
Max Allowable Pressure	3.5 MPa
Input Water Temperature	3–40 °C

1.



### 5. Fill-Up Procedure & Water Chemistry

#### Steps

2. Ensure the drain valve is closed before starting.
3. Allow the Plunge Tub to remain in place for 24 hours before powering on, filling.
4. Fill the Plunge Tub using a garden hose until water reaches the fill line (marked inside the shell).



**CAUTION:** Do not use water from a softener. If water is very hard, fill halfway with hard water and the rest with softened water.

Extremely soft water can corrode metal components.

5. Turn on the unit when adding chemicals for proper mixing.
6. Establish sanitizer levels:  $\geq 1.0$  ppm free chlorine or  $\geq 2.0$  ppm bromine. Maintain these levels consistently.
7. Add chemicals as directed by your dealer/vendor at your own responsibility. Golden Select™ doesn't recommend any chemicals.
8. Add one chemical at a time. Unless specified otherwise, wait at least 10 minutes before adding another.

**Note:** Minerals in tap water can cause discoloration or deposits. This usually does not require draining of the water, as treatment options such as filtration or chemical cleaners are available.

#### Chemical Addition Guidelines

- Maintaining proper water chemistry is essential for user safety and the longevity of the Plunge Tub and its components.
- Water chemistry is the owner's responsibility. Improper balance can cause skin irritation, spread disease, and damage components.
- Important: When adding chemicals such as shock (chlorine or non-chlorine) or pH balancers, run the pump and keep the cover open for at least 20 minutes.
- Disclaimer: The addition of chemicals to the plunge tub is at the sole discretion of the customer. Golden Select™ does not recommend or endorse any specific chemical treatments and assumes no responsibility for any effects resulting from their use.

#### Standard Chemical Readings (use either test strips or a test kit for reading)

Parameter	Readings
pH	7.4-7.6
Free Chlorine	3.0-4.0 ppm
Free Bromine	2.0-4.0 ppm
Total Alkalinity	100-150 ppm
Calcium Hardness	150-250 ppm

**Chemical Safety Warnings:** Use of chemicals is at user's own risk. If you do add any chemicals, be sure to follow the Golden Select™ manual.

#### Handling Precautions

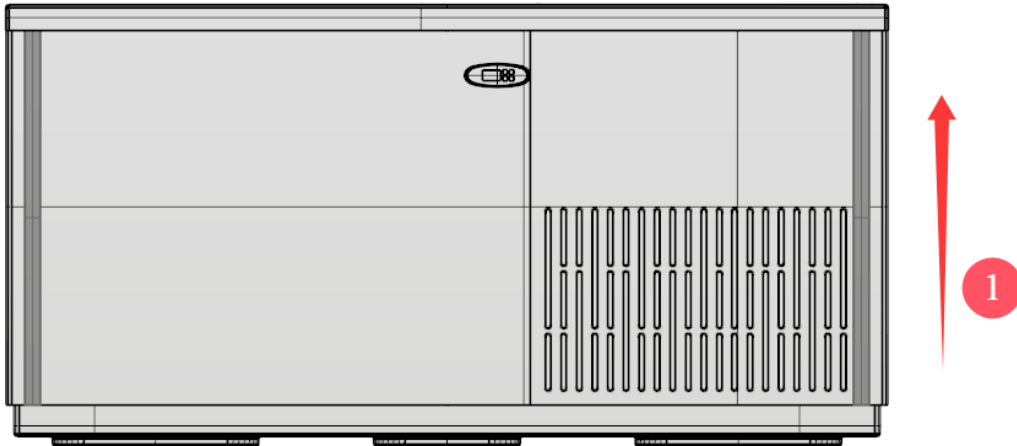
- Add one chemical at a time; wait at least 10 minutes before adding another.
- Run the pump during chemical addition for proper mixing.
- Do not mix chemicals together.
- Avoid water from softeners; extremely soft water can corrode metal components.

### **6. Use Operation**

If the pump does not run after the water is discharged and powered on, please follow the steps:

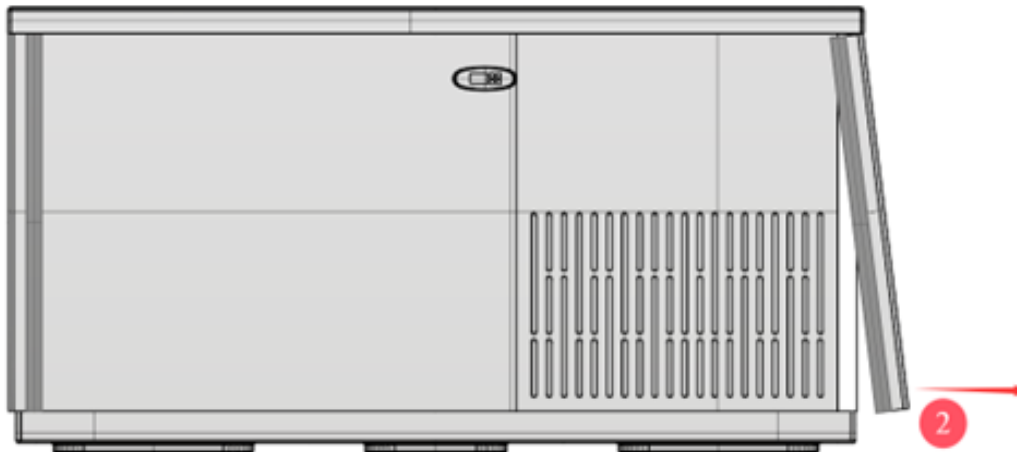
#### **1) Remove the corner panels**

- Grip the bottom of the panel and push upward.
- Tilt the panel outward, then pull downward to detach.



#### **2) Remove the front panel**

- Hold the panel at the bottom and gently lift to release the clips.
- Once unclipped, tilt the panel slightly forward and lift upward to remove completely.



#### **3) Reset the circulating pump**

- Locate the circulating pump connector in the lower right corner.
- Unplug the circulating pump power supply while the unit remains powered on.
- Reconnect the power supply.
- Repeat this process two times to purge air from the pump.

After this, the circulating pump should operate normally.

### 7. Control Operation

#### Fault Code

Code	Fault description	Cause of failure	Restrict work objects
E1	Water temperature probe failure	The water temperature probe is damaged, and the probe is not properly installed	Compressor, fan, four-way valve
E3	Water flow fault	Water shortage leads to no short circuit between the water flow detection port of the main board and the public	Water pump, compressor, fan, four-way valve
E4	Low voltage fault	The compressor pressure is too low, resulting in no short circuit between the low-pressure detection port of the main board and the public	Compressor, fan, four-way valve
E5	High voltage fault	The compressor pressure is too high, resulting in no short circuit between the high-pressure detection port of the main board and the public	Compressor, fan, four-way valve
E6	Current overload	When the compressor is working, the current value exceeds the set value of "f13"	Compressor, fan, four-way valve
EH	Ultra-high temperature fault	The temperature measured by the water temperature probe exceeds the set value of F11	Compressor, fan, four-way valve
EL	Ultra-low temperature fault	The temperature measured by the water temperature probe exceeds the set value of F12	Compressor, fan, four-way valve
EE	Communication failure	Poor contact of communication interface and communication line to connector, or burning of communication chip	The system works normally
CCC	The equipment needs maintenance	The equipment has reached the set service life, please contact the engineer	Stop all work

If the following fault happens three times in an hour, it will lock and the alarm will stay on.  
To clear it, the buyer must shut down and restart the system manually.

**High voltage fault**



**Water flow fault**

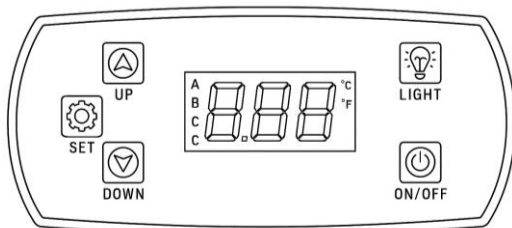


**Low voltage fault**






The temperature controller is a newly designed split-wire, automatic constant temperature control system developed for professional cold/warm water machines and cold/warm seafood machines. It features advanced system monitoring, intelligent operation, and automatic refrigeration/heating identification with seamless mode switching. The heating function offers two options: electric heating rod or four-way valve reversing electric heating. Additional features include a sensor fault self-diagnosis system, user-friendly operation, and comprehensive functionality—providing users with a more reliable and efficient experience.






#### Control Panel





### Indicator Light

Icon	Name	Function	Extinguish represents	Flashing representative
	Refrigeration lamp	Cooling	Stop refrigeration	Compressor is delaying
	Constant temperature	Target temperature reached	Not at target temperature	N/A
	Heating lamp	Heating in progress	Stop heating	Compressor is delaying

### Key

Icon	Name	Description
	Run Key	Press once to stop cooling / heating, press again to resume operation.
	Settings Key	Press once to set the target temperature. Press and hold for 6 seconds to access the menu; enter the correct password to modify operating parameters.
	Temperature Increase Key	Adjust temperature or parameters upward.
	Temperature Decrease Key	Adjust temperature or parameters downward.
	Light Control Key	Turns the LED light output on or off.

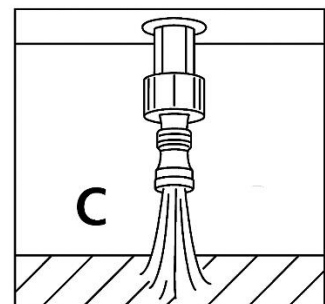
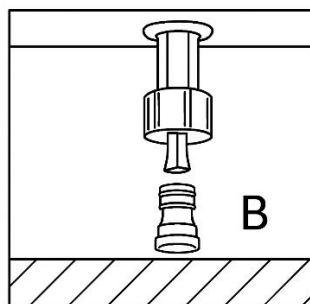
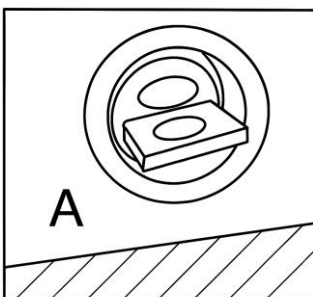
### Restore parameter table password:

Press  (Run Key) once to shut down, then press  (up key) for 10 seconds to restore the menu password to the factory value:095

### DRAIN WATER GUIDELINES

When the ambient temperature drops below -10 °C, drain all water from the tub and connect components to prevent freezing and expansion, which can cause serious damage.

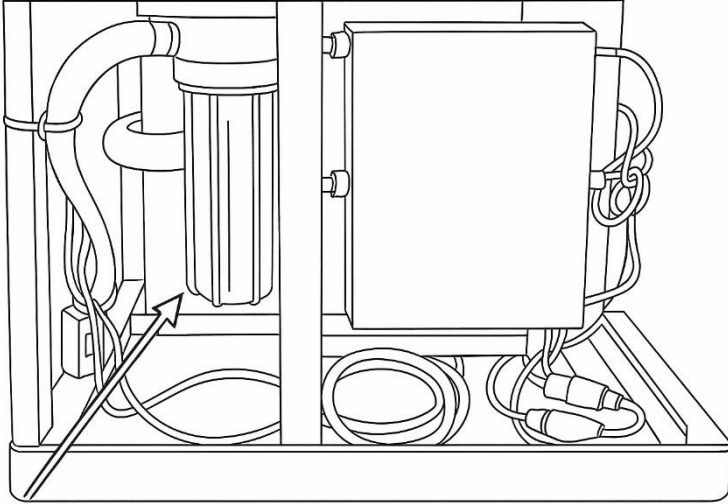
### Cylinder Drainage



1. Turn off power to the Plunge Tub at the breaker.
2. Close the ball valve by turning it to the closed position (see Figure A).
3. Remove the drain cap: Grip the cap lip, twist, and pull outward to expose the valve body (Figure B).
4. Expose hose threads: Hold the valve body steady to prevent rotation, then loosen and remove the front cap to reveal the male hose threads (Figure C).
5. Open the drain valve: Push the valve body halfway inward to allow water to flow (Figure C).
6. Open the ball valve to start draining the tub completely.

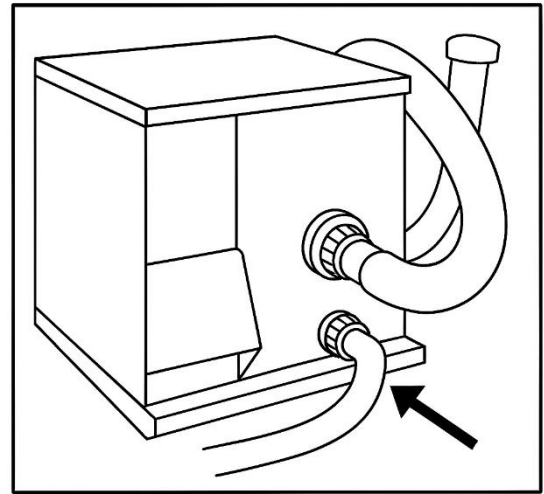
7. After draining, reverse these steps to close the drain and prepare for refilling the Plunge Tub.

**Heat Pump Drainage:** Unscrew the heat pump water inlet to drain any remaining water



**Filter Bucket Drainage:**

Unscrew the filter bucket to release water inside.



### **8. Maintenance**

- Periodically inspect for damage, corrosion, or loose connections.
- Disconnect power before servicing.
- Replace damaged components immediately.

### **9. Warranty**

Golden Select™ Hot and Cold Plunge Tub Kit is covered by a limited 36-month residential structural warranty starting the date of purchase. This warranty does not extend to additional costs incurred with the use or application of this product, such as labour for installation, other materials or expenses, etc.

#### Warranty Coverage Summary

The following components are covered, subject to normal use and correct installation in accordance with the product manual.

Component	Warranty Period	Warranty Coverage
Acrylic Shell	36 months	Covered against cracking and premature ageing under normal use. Excludes damage caused by misuse, neglect, impact, or unauthorised modification.
PS Skirt	36 months	Covered against structural damage, peeling, and abnormal colour change under normal use. Excludes cosmetic wear, UV fading over time, and user-caused damage.
Chiller	36 months	Covered against manufacturing defects affecting normal operation. Excludes damage caused by incorrect installation, freezing, power supply issues, or misuse.
Water Pump	36 months	Covered against manufacturing defects affecting normal operation. Excludes damage caused by dry running, blockages, poor water quality, or misuse.
Control Panel	36 months	Covered against manufacturing defects affecting normal operation. Excludes damage caused by water ingress due to incorrect installation, impact, or unauthorised repairs.

Component	Warranty Period	Warranty Coverage
Tub Cover	36 months	Covered against cracking and premature ageing under normal use. Excludes weathering, cosmetic wear, and damage caused by misuse or improper storage.

### Important Warranty Notes (UK)

- This warranty applies **in addition to your statutory rights** under the **Consumer Rights Act 2015**.
- The warranty covers **manufacturing defects only**.
- Damage caused by **misuse, neglect, accidental damage, incorrect installation, freezing, poor maintenance, or unauthorized modification** is not covered.
- Normal wear and tear and cosmetic changes that do not affect function are excluded.
- Proof of purchase may be required for all warranty claims.

The following conditions apply to the warranty and may void the warranty if not followed correctly:

- The plunge tub must be installed and operated according to the instructions provided by the manufacturer.
- If filing a warranty claim, it must be submitted within 30 days of discovering a manufacturer's defect.
- Proof of purchase, such as a bill of sale, is mandatory when requesting warranty service.
- The manufacturer reserves the right to designate a representative to inspect the tub in question and remove samples for analysis.
- The warranty applies only to the original purchaser and is non-transferable.
- The warranty only covers tubs installed in residential environments and used as intended.
- The warranty does not cover damage caused by improper water chemistry, freezing, or neglect.

### ⊗ 10. Warranty Exclusions

The warranty does not cover any damages or defects caused by:

- Product that was improperly installed, maintained, or operated.
- Damage caused by incorrect electrical installation, plumbing faults, or inadequate drainage.
- Cosmetic damage, normal wear and tear, or changes in appearance that do not affect performance.
- Damage caused by force majeure or acts of God (e.g., flooding, fire, earthquake).
- Use of non-approved accessories or replacement parts.

Golden Select™ offers no other warranty, expressed or implied. This warranty replaces all other warranties.

For assistance with installation please call 0800 051 4248 for the U.K., or 0-800-907-420 for France (English, Spanish and French) Monday to Friday between 9 am and 5 pm Eastern Standard Time or e-mail [techsupport@goldenselect.ca](mailto:techsupport@goldenselect.ca), or visit [www.goldenselect.ca](http://www.goldenselect.ca). For questions about warranty, please contact our Customer Service Department at [warranty@goldenselect.ca](mailto:warranty@goldenselect.ca).