

F29845

SUMMIT VISTA SWING SET

BILT.® Easy step-by-step 3D interactive instructions for this product can be found in BILT.®. Download today.

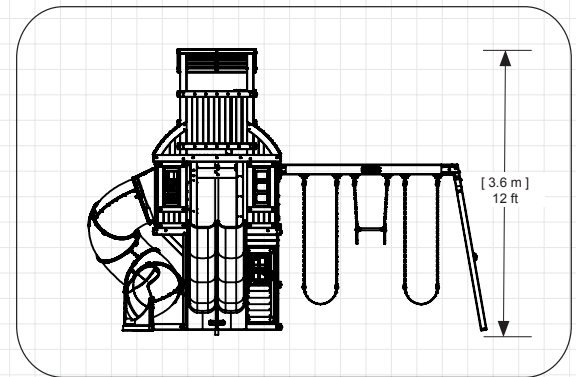
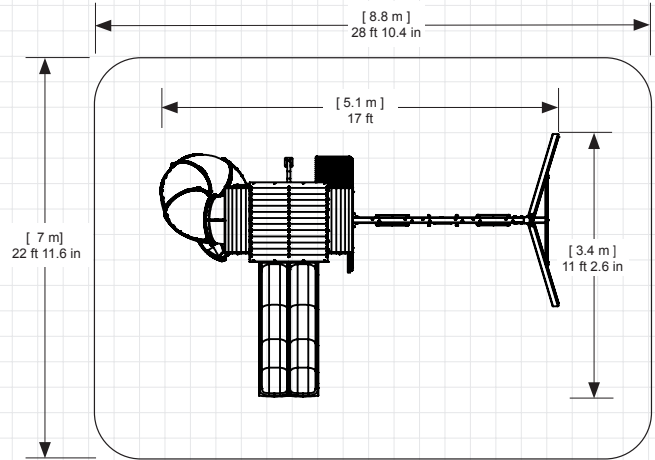
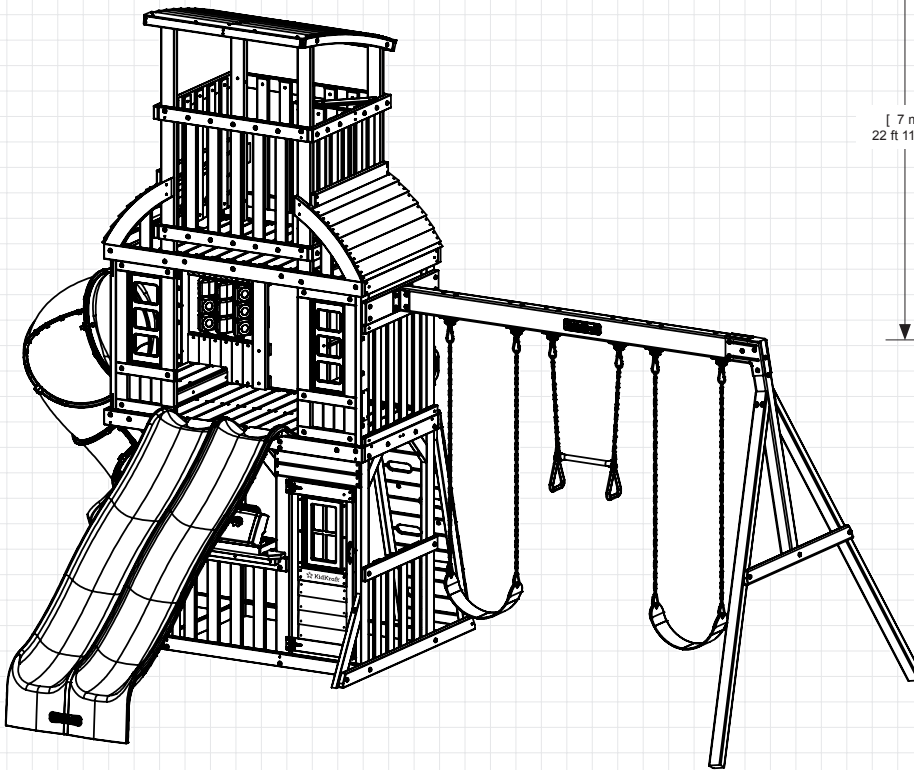


OBSTACLE FREE SAFETY ZONE - 8.8 x 7 x 5.5 m (28 ft 10.4 in x 22 ft 11.6 in x 18 ft 0.5 in) area requires Protective Surfacing. See page 4.

MAXIMUM VERTICAL FALL HEIGHT - 2.3 m (7 ft 6.5 in).

CAPACITY - 9 Users Maximum, Ages 3 - 10; Weight Limit 50 kg (110 lb) per child.

RESIDENTIAL HOME USE ONLY. Not intended for public areas such as multi-unit residences, schools, churches, nurseries, day cares or parks.



IMPORTANT: RETAIN FOR FUTURE REFERENCE. READ CAREFULLY.



INSTALLATION AND OPERATING INSTRUCTIONS

FOR 24/7 ONLINE PARTS REPLACEMENT

kidkraft.com

Backyard Kids, LLC DBA KidKraft
317 S. Main St.
Ann Arbor, MI 48104

customerservice@kidkraft.com
1.800.933.0771
972.385.0100

9409845

Rev 10/11/2025

⚠️ WARNING

To reduce the risk of serious injury or death, please read and follow these instructions. Keep and refer to instructions as needed and pass along to any future owners of this item.

Congratulations on purchasing a KidKraft product!

**Our items are made of high-quality,
durable Cunninghamia Lanceolata wood
from the cypress family.**

**Lumber from these trees are known for
their light weight and excellent strength.
The porosity of this wood allows the
moisture to absorb and evaporate in the
fibers, resisting rot and bugs.**

**Engineered for great play, our products
also go through extensive testing for safety.**

**Plus, our team has developed a series of
proprietary methods for a simpler, more
organized assembly. Less build time and
more play time is our motto!**

**However, during assembly if you have any
questions or concerns, please reach out.
Our Customer Service can help with missing
parts, instructions or maintenance.**



Warnings and Safe Play Instructions



CONTINUOUS ADULT SUPERVISION REQUIRED. Most serious injuries and deaths on playground equipment have occurred while children were unsupervised! Our products are designed to meet mandatory and voluntary safety standards. Complying with all warnings and recommendations in these instructions will reduce the risk of serious or fatal injury to children using this play system. Go over the warnings and safe play instructions regularly with your children and make certain that they understand and follow them. Remember on-site adult supervision is required for children of all ages.



WARNING

SERIOUS HEAD INJURY HAZARD

Installation over concrete, asphalt, dirt, grass, carpet and other hard surface creates a risk of serious injury or death from falls to the ground. Install and maintain shock absorbing material under and around play-set as recommended on page 4 of these instructions.

COLLISION HAZARD

Place play-set on level ground at least 1.8 m (6 ft) from any obstruction such as a garage or house, fences, poles, trees, sidewalks, walls, landscape timbers, rocks, pavement, planters, garden borders, overhanging branches, laundry lines, and electrical wires. (See OBSTACLE FREE SAFETY ZONE on cover)

CHOKING HAZARD/SHARP EDGES & POINTS

Adult assembly required. This product contains small parts and parts with sharp edges and points. Keep parts away from children until fully assembled.

WARNING LABEL

Owners shall be responsible for maintaining the legibility of the warning labels.

STRANGULATION HAZARD

- NEVER allow children to play with ropes, clotheslines, pet leashes, cables, chains or cord-like items when using this play-set or to attach these items to play-set.
- NEVER allow children to wear loose fitting clothing, ponchos, hoods, scarves, capes, necklaces, items with draw-strings, cords or ties when using this play-set.
- NEVER allow children to wear bike or sport helmets when using this play-set.

Failure to prohibit these items, even helmets with chin straps, increases the risk of serious injury and death to children from entanglement and strangulation.

TIP OVER HAZARD

Choose a level location for the equipment. This can reduce the likelihood of the play set tipping over and loose-fill surfacing materials washing away during heavy rains.

DO NOT allow children to play on the play-set until the assembly is complete and the unit is properly anchored.

Never add extra length to chain or rope. The chains or ropes provided are the maximum length designed for the swinging element(s).



WARNING – Safe Play Instructions

- ✓ Observe capacity limitations of your play-set. See front cover.
- ✓ Dress children with well fitting and full foot enclosing footwear.
- ✓ Teach children to sit with their full weight in the center of the swing seat to prevent erratic swing motion or falling off.
- ✓ Check for splintered, broken or cracked wood; missing, loose, or sharp edged hardware. Replace, tighten and or sand smooth as required prior to playing.
- ✓ Verify that suspended climbing ropes, rope ladders, chain or cable are secured at both ends and cannot be looped back on itself as to create an entanglement hazard.
- ✓ On sunny and or hot days, check the slide and other plastic rides to assure that they are not very hot as to cause burns. Cool hot slide and rides with water and wipe dry prior to using.
- ✓ Orientate slide such that it gets the least amount of exposure to the sun.
- ✗ Do not allow children to wear open toe or heel footwear like sandals, flip-flops or clogs.
- ✗ Do not allow children to walk, in front, between, behind or close to moving rides.
- ✗ Do not let children twist swing chains or ropes or loop them over the top support bar. This may reduce the strength of the chain or rope and cause premature failure.
- ✗ Do not let children get off rides while they are in motion.
- ✗ Do not permit climbing on equipment when it is wet.
- ✗ Do not permit rough play or use of equipment in a manner for which it was not intended. Standing on or jumping from the roof, elevated platforms, swings, climbers, ladders or slide can be dangerous.
- ✗ Do not allow children to swing empty rides or seats.
- ✗ Do not allow children to go down slide head first or run up slide.



KidKraft
MADE FOR MAKE BELIEVE™

kidkraft.com

customerservice@kidkraft.com
1.800.933.0771
972.385.0100

! Protective Surfacing - Reducing Risk of Serious Head Injury From Falls

One of the most important things you can do to reduce the likelihood of serious head injuries is to install shock-absorbing protective surfacing under and around your play equipment. The protective surfacing should be applied to a depth that is suitable for the equipment height in accordance with ASTM F1292. There are different types of surfacing to choose from; whichever product you select, follow these guidelines:

Loose-Fill Materials

- Maintain a minimum depth of 23 cm (9 in) of loose-fill materials such as wood mulch/chips, engineered wood fiber (EWF), or shredded/recycled rubber mulch for equipment up to 2.4 m (8 ft) high; and 23 cm (9 in) of sand or pea gravel for equipment up to 1.5 m (5 ft) high. NOTE: An initial fill level of 31 cm (12 in) will compress to about a 23 cm (9 in) depth of surfacing over time. The surfacing will also compact, displace, and settle, and should be periodically raked and refilled to maintain at least 23 cm (9 in) depth.
- Use a minimum of 16 cm (6 in) of protective surfacing for play equipment less than 1.22 m (4 ft) in height. If maintained properly, this should be adequate. (At depths less than 16 cm (6 in), the protective material is too easily displaced or compacted.)

NOTE: Do not install home playground equipment over concrete, asphalt, or any other hard surface. A fall onto a hard surface can result in serious injury to the equipment user. Grass and dirt are not considered protective surfacing because wear and environmental factors can reduce their shock absorbing effectiveness. Carpeting and thin mats are not adequate protective surfacing. Ground level equipment -- such as a sandbox, activity wall, playhouse or other equipment that has no elevated play surface -- does not need any protective surfacing.

- Use containment, such as digging out around the perimeter and/or lining the perimeter with landscape edging. Don't forget to account for water drainage.
- Periodically rake, check and maintain the depth of the loose-fill surfacing material. Marking the correct depth on the play equipment support posts will help you to see when the material has settled and needs to be raked and or replenished. Be sure to rake and evenly redistribute the surfacing in heavily used areas.
- Do not install loose fill surfacing over hard surfaces such as concrete or asphalt.

Poured-In-Place Surfaces or Pre-Manufactured Rubber Tiles

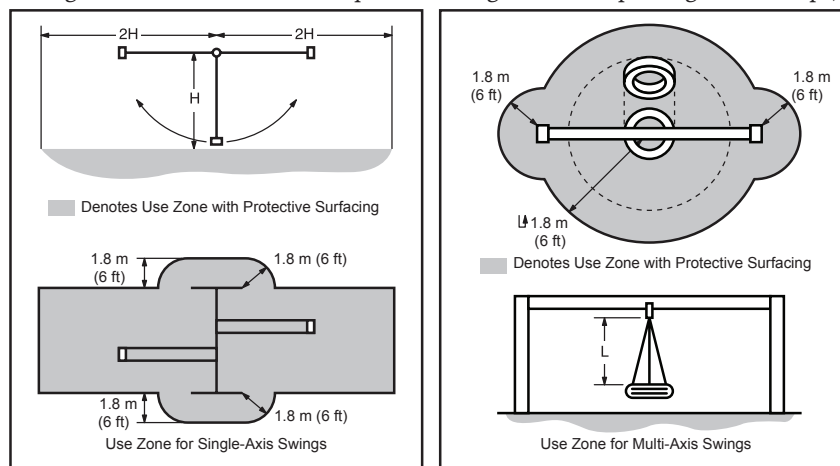
You may be interested in using surfacing other than loose-fill materials - like rubber tiles or poured-in-place surfaces.

- Installations of these surfaces generally require a professional and are not "do-it yourself" projects.
- Review surface specifications before purchasing this type of surfacing. Ask the installer/manufacturer for a report showing that the product has been tested to the following safety standard: ASTM F1292 *Standard Specification for Impact Attenuation of Surfacing Materials within the Use Zone of Playground Equipment*. This report should show the specific height for which the surface is intended to protect against serious head injury. This height should be equal to or greater than the fall height - vertical distance between a designated play surface (*elevated surface for standing, sitting, or climbing*) and the protective surfacing below - of your play equipment.
- Check the protective surfacing frequently for wear.

Placement

Proper placement and maintenance of protective surfacing is essential. Refer to diagram on front cover. Be sure to;

- Extend surfacing at least 1.8 m (6 ft) from the equipment in all directions.
- For to-fro swings, extend protective surfacing in front of and behind the swing to a distance equal to twice the height of the top bar from which the swing is suspended.
- For tire swings, extend surfacing in a circle whose radius is equal to the height of the suspending chain or rope, plus 1.8 m (6 ft) in all directions.



From the CPSC Outdoor Home Playground Safety Handbook. At <http://www.playgroundregs.com/resources/CPSC%20324.pdf>

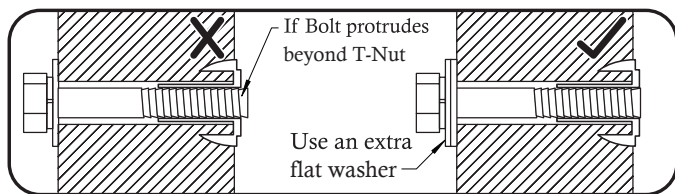
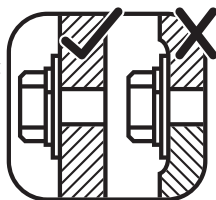
Instructions for Proper Maintenance

Your KidKraft Play System is designed and constructed of quality materials with your child's safety in mind. As with all outdoor products used by children, it will weather and wear. To maximize the enjoyment, safety and life of your Play Set, it is important that you, the owner, properly maintain it. Failure to follow maintenance directions below can cause the swing set to overturn or otherwise become a hazard to children.

Check the following at the beginning of the play season:

HARDWARE:

- ✓ Check metal parts for rust. If found, sand and repaint using a non-lead paint complying with 16 CFR 1303.
- ✓ Inspect and tighten all hardware. On wood assemblies **DO NOT OVERTIGHTEN** as to cause crushing and splintering of wood.
- ✓ Check for sharp edges or protruding screw threads, add washers if required.



SHOCK ABSORBING SURFACING:

- ✓ Check for foreign objects. Rake and check depth of loose fill protective surfacing materials to prevent compaction and maintain appropriate depth. Replace as necessary. (See Protective Surfacing, page 4)

GROUND STAKES (ANCHORS):

- ✓ Check for looseness, damage or deterioration. Should firmly anchor unit to ground during use. Re-secure and or replace, if necessary.

SWING HANGERS:

- ✓ Check that bolts are secure and tight. Quick clips should be completely closed and threaded clips screwed tight.
- ✓ If squeaking occurs lubricate bushings with oil or WD-40®.

SWINGS, ROPES AND RIDES:

- ✓ Reinstall if removed during cold season. Check all moving parts including swing seats, ropes, chains and attachments for wear, rust and other deterioration. Replace as needed.
- ✓ Check that ropes are tight, secure at both ends and cannot loop back as to create an entrapment.

WOOD PARTS:

- ✓ Check all wood members for deterioration, structural damage and splintering. Sand down splinters and replace deteriorated wood members. As with all wood, some checking and small cracks in grain is normal.
- ✓ Applying a water repellent or stain (water-based) on a yearly basis is important maintenance to maintain maximum life and performance of the product.

Check twice a month during play season:

HARDWARE:

- ✓ Inspect for tightness. Must be firmly against, but not crushing the wood. **DO NOT OVERTIGHTEN.** This will cause splintering of wood.
- ✓ Check for sharp edges or protruding screw threads. Add washers if required.

SHOCK ABSORBING SURFACING:

- ✓ Rake and check depth of loose fill protective surfacing materials to prevent compaction and maintain appropriate depth. Replace as necessary. (See Protective Surfacing, page 4)

Check once a month during play season:

SWING HANGERS:

- ✓ Check that they are secure and orientated correctly. Hook should rotate freely and perpendicular to support beam.
- ✓ If squeaking occurs lubricate bushings with oil or WD-40®.

SWINGS AND RIDES:

- ✓ Check swing seats, all ropes, chains and attachments for fraying, wear, excessive corrosion or damage. Replace if structurally damaged or deteriorated.

Check at the end of the play season:

SWINGS AND RIDES:

- ✓ To prolong their life, remove swings and store inside when outside temperature is below 32°F/0°C. Below freezing, plastic parts may become more brittle.

SHOCK ABSORBING SURFACING:

- ✓ Rake and check depth of loose fill protective surfacing materials to prevent compaction and maintain appropriate depth. Replace as necessary. (See Protective Surfacing, page 4)

If you dispose of your play set: Please disassemble and dispose of your unit so that it does not create any unreasonable hazards at the time it is discarded. Be sure to follow your local waste ordinances.

About Our Wood

KidKraft Premium Play Systems uses only premium playset lumber, ensuring the safest product for your children's use. Although we take great care in selecting the best quality lumber available, wood is still a product of nature and susceptible to weathering which can change the appearance of your set.

What causes weathering? Does it affect the strength of my Play System?

One of the main reasons for weathering is the effects of water (moisture); the moisture content of the wood at the surface is different than the interior of the wood. As the climate changes, moisture moves in or out of the wood, causing tension which can result in checking and or warping. You can expect the following due to weathering. These changes will not affect the strength of the product:

1. **Checking** is surface cracks in the wood along the grain. A post 10.1 x 10.1 cm (4 x 4 in) will experience more checking than a board 2.5 x 10.1 cm (1 x 4 in) because the surface and interior moisture content will vary more widely than in thinner wood.
2. **Warping** results from any distortion (twisting, cupping) from the original plane of the board and often happens from rapid wetting and drying of the wood.
3. **Fading** happens as a natural change in the wood color as it is exposed to sun-light and will turn a grey over time.

How can I reduce the amount of weathering to my Play System?

At the factory we have coated the wood with a water repellent or stain. This coating decreases the amount of water absorption during rain or snow thus decreasing the tension in the wood. Sunlight will break down the coating, so we recommend applying a water repellent or stain on a yearly basis (see your local stain and paint supplier for a recommended product).

Most weathering is just the normal result of nature and will not affect safe play and enjoyment for your child. However if you are concerned that a part has experienced a severe weathering problem please call our consumer relations department for further assistance.

Complete and mail registration card to receive important product notifications and assure prompt warranty service.

KidKraft Limited Warranty

MISSING OR DAMAGED PARTS:

KidKraft will replace any parts within 90 days from date of purchase found to be missing from or damaged in the original packaging. See Fig.1

Fig. 1	<u>Product Age (All Parts)</u> 0-90 Days from date of purchase	<u>Consumer Pays</u> \$0 for Part + Free Shipping
--------	---	--

DEFECTS IN MATERIAL AND WORKMANSHIP:

KidKraft warrants that this product is free from defects in materials and workmanship for a period of one (1) year from the original date of purchase (dated sales receipt and/or product registration is required). This one (1) year warranty covers all parts including wood, hardware, and all accessories (Such as swings, rides, and slides). See Fig. 2

Fig. 2	<u>Product Age (All Parts)</u> 91 Days to 1 Year	<u>Consumer Pays</u> \$0 for Part + Free Shipping
--------	---	--

WOOD ROT, DECAY, AND INSECT DAMAGE:

All wood carries a five (5) year warranty against rot, decay, and insect damage (dated sales receipt and/or product registration is required). Refer to the schedule below for charges associated with replacement of wood parts under this **Limited Warranty**. See Fig. 3

Fig. 3	<u>Product Age (Wood Parts)</u> 0 Days to 1 Year After 1 Year to 5 Year Over 5 Years	<u>Consumer Pays</u> \$0 for Part + Free Shipping \$0 for Part + Shipping & Handling 100% for Part (if available) + Shipping & Handling
--------	---	--

This warranty applies to the original owner and registrant and is non-transferable. Regular maintenance is required to ensure the integrity of this product. Failure by the owner to maintain the product according to the maintenance requirements may void this warranty.

This Limited Warranty does NOT cover:

- Any inspection cost
- Labor and/or costs for replacement of any defective item(s), including but not limited to, professional installer costs
- Incidental or consequential damages, including but not limited to, as a result of set relocation, move and/or reinstall
- Cosmetic defects which do not affect performance or integrity of a part or the entire product
- Vandalism, improper use or installation, or acts of nature, including but not limited to, high winds, fire, and flood
- Minor twisting, warping, checking, or any natural occurring properties of wood that do not affect performance or integrity.
- Any KidKraft product purchased, including but not limited to, a non-approved retailer, auction houses, second-hand, and as-is clearance items.

KidKraft products have been designed for safety and quality. Modifications made to the original product may damage the structural integrity of the unit leading to failure and possible injury. KidKraft cannot assume any responsibility for the modified products. Furthermore, modifications void all warranties.

This product is warranted for **RESIDENTIAL USE ONLY**. Under no circumstance should a KidKraft product be used in public settings such as schools, churches, playgrounds, parks, home and professional day cares and the like. Such use may lead to product failure and failure and potential injury. Public use will void this warranty. KidKraft disclaims all other representations and warranties of any kind, express of implied.



kidkraft.com

customerservice@kidkraft.com
1.800.933.0771
972.385.0100

Keys to Assembly Success

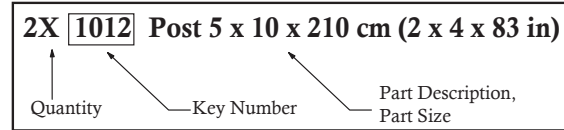
Tools Required

<ul style="list-style-type: none"> • Tape Measure • Carpenter's Level • Carpenter's Square • Claw Hammer • Standard or Cordless Drill • Rubber Mallet 	<ul style="list-style-type: none"> • #1 Phillips and #2 Robertson Screwdrivers • Ratchet with Extension 13 mm (1/2 in) & 11 mm (7/16 in) Sockets 	<ul style="list-style-type: none"> • Open-End Wrench 13 mm (1/2 in) & 11 mm (7/16 in) • Adjustable Wrench • 3 mm (1/8 in) Drill Bit 	<ul style="list-style-type: none"> • 5mm (3/16 in) Hex Key • 2.4m (8 ft) Step Ladder • Safety Glasses • Adult Helpers • Pencil
---	--	--	---

Part Identification Key

Listed on each page are the parts and quantities required to complete the assembly step illustrated on that page.

EXAMPLE



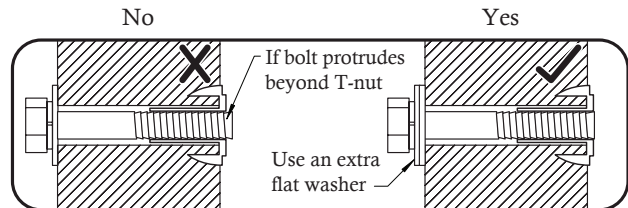
Symbols

Throughout these instructions, symbols are provided as important reminders for proper and safe assembly.

<p>This identifies information that requires special attention. Improper assembly could lead to an unsafe or dangerous condition.</p>	<p>Check that the set or assembly is properly level before proceeding.</p> <p>Use Level</p>
<p>Use Help</p> <p>Where this is shown, 2 or 3 people are required to safely complete the step. To avoid injury or damage to the assembly, make sure to get help!</p>	<p>Pre-drill 3mm (1/8 in) Bit</p> <p>Pre-drill a pilot hole before fastening screw or lag to prevent splitting of wood.</p> <p>3mm</p>
<p>Measure Distance</p> <p>Use a measuring tape to ensure proper location.</p>	<p>Tighten Bolts</p> <p>This indicates time to tighten bolts, but not too tight! Do not crush the wood. This may create splinters and cause structural damage.</p>
<p>Square Assembly</p> <p>Check that assembly is square before tightening bolts.</p>	

CAUTION – Protrusion Hazard

Once the assembly is tightened, watch for exposed threads. If a thread protrudes from the T-nut, remove the bolt and add washers to eliminate this condition. Extra washers have been provided for this purpose.

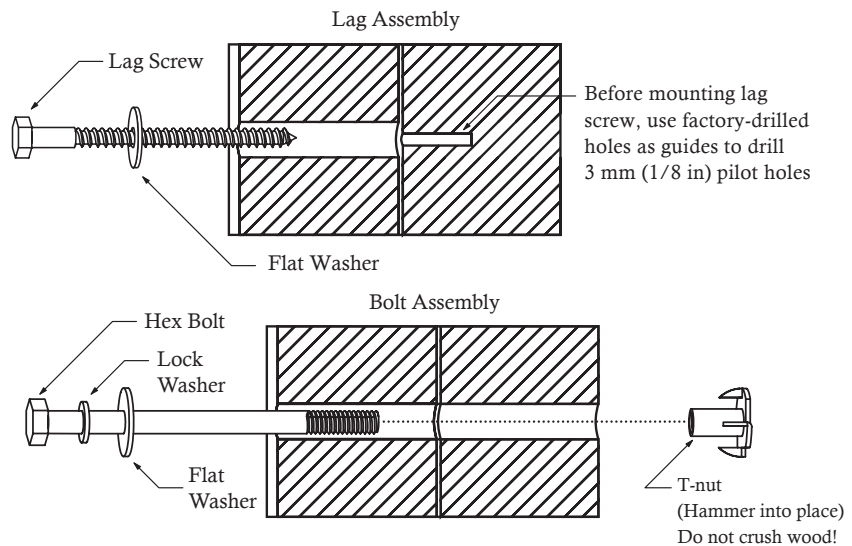


Proper Hardware Assembly

Lag screws require drilling pilot holes to avoid splitting wood. Only a flat washer is required. For ease of installation, liquid soap can be used on all lag-type screws.

For bolts, tap T-nut into hole with hammer. Insert the hex bolt through lock washer first, then flat washer, then hole. Because the assemblies need to be squared, do not completely tighten until instructed. Pay close attention to diameter of the bolts. 8mm (5/16 in) is slightly larger than 6.4mm (1/4 in)

Note: Wafer head bolts with blue lock tight or a bolt with a Nylock® nut do NOT require a lock washer.



Part Identification (Reduced Size)

1x - **11858** - 34.9 x 85.7 x 2311.4 mm - 38311858

1 3/8 x 3 3/8 x 91 in

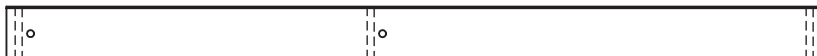


1x - **11859** - 34.9 x 85.7 x 2311.4 mm - 38311859

1 3/8 x 3 3/8 x 91 in



2x - **11860** - 34.9 x 85.7 x 1292.2 mm - 38311860



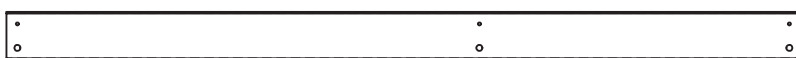
1 3/8 x 3 3/8 x 50 7/8 in

1x - **11861** - 34.9 x 85.7 x 1292.2 mm - 38311861



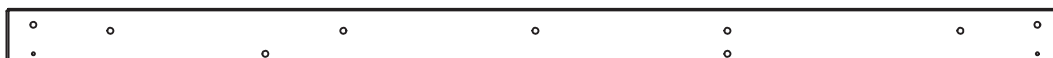
1 3/8 x 3 3/8 x 50 7/8 in

1x - **11862** - 31.8 x 76.2 x 1260.5 mm - 38311862



1 1/4 x 3 x 49 5/8 in

1x - **11863** - 31.8 x 88.9 x 1679.5 mm - 38311863



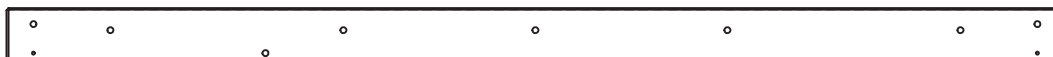
1 1/4 x 3 1/2 x 66 1/8 in

1x - **11864** - 31.8 x 76.2 x 1260.5 mm - 38311864



1 1/4 x 3 x 49 5/8 in

1x - **11865** - 31.8 x 88.9 x 1679.5 mm - 38311865



1 1/4 x 3 1/2 x 66 1/8 in

2x - **11866** - 34.9 x 85.7 x 1054.1 mm - 38311866



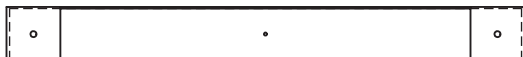
1 3/8 x 3 3/8 x 41 1/2 in

1x - **11867** - 31.8 x 133.4 x 822.3 mm - 38311867



1 1/4 x 5 1/4 x 32 3/8 in

1x - **11868** - 34.9 x 85.7 x 822.3 mm - 38311868



1 3/8 x 3 3/8 x 32 3/8 in

1x - **11869** - 25.4 x 76.2 x 885.8 mm - 38311869



1 x 3 x 34 7/8 in

Part Identification (Reduced Size)

1x - 11870 - 31.8 x 76.2 x 1487 mm - 38311870



1 1/4 x 3 x 58 9/16 in

2x - 11871 - 25.4 x 76.2 x 822.3 mm - 38311871



1 x 3 x 32 3/8 in

1x - 11872 - 25.4 x 88.9 x 822.3 mm - 38311872



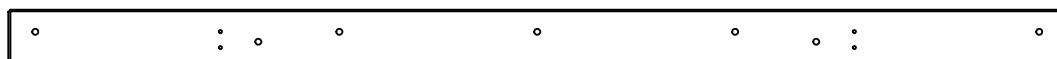
1 x 3 1/2 x 32 3/8 in

1x - 11873 - 25.4 x 88.9 x 822.3 mm - 38311873



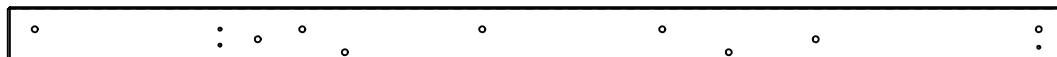
1 x 3 1/2 x 32 3/8 in

1x - 11874 - 31.8 x 88.9 x 1679.5 mm - 38311874



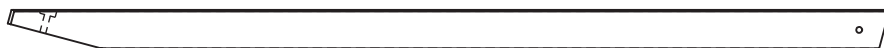
1 1/4 x 3 1/2 x 66 1/8 in

1x - 11875 - 31.8 x 88.9 x 1679.5 mm - 38311875



1 1/4 x 3 1/2 x 66 1/8 in

2x - 11876 - 34.9 x 63.5 x 1399.6 mm - 38311876



1 3/8 x 2 1/2 x 55 1/8 in

6x - 11877 - 15.9 x 101.6 x 457.2 mm - 35811877



5/8 x 4 x 18 in

6x - 11878 - 15.9 x 101.6 x 457.2 mm - 35811878



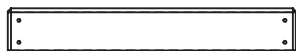
5/8 x 4 x 18 in

1x - 11879 - 15.9 x 101.6 x 457.2 mm - 35811879



5/8 x 4 x 18 in

1x - 11880 - 15.9 x 73 x 457.2 mm - 35811880



5/8 x 2 7/8 x 18 in

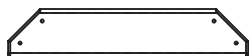
2x - 11881 - 34.9 x 85.7 x 2336.8 mm - 38311881

1 3/8 x 3 3/8 x 92 in



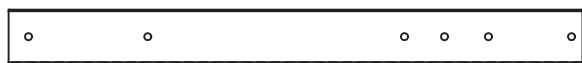
Part Identification (Reduced Size)

1x - 11882 - 15.9 x 76.2 x 381 mm - 38311882



5/8 x 3 x 15 in

1x - 11883 - 34.9 x 85.7 x 911.2 mm - 38311883



1 3/8 x 3 3/8 x 35 7/8 in

2x - 11884 - 34.9 x 85.7 x 1254.1 mm - 38311884



1 3/8 x 3 3/8 x 49 3/8 in

1x - 11885 - 31.8 x 76.2 x 1628.7 mm - 38311885



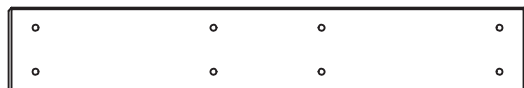
1 1/4 x 3 x 64 1/8 in

1x - 11886 - 34.9 x 85.7 x 965.2 mm - 38311886



1 3/8 x 3 3/8 x 38 in

1x - 11887 - 31.8 x 133.4 x 822.3 mm - 38311887



1 1/4 x 5 1/4 x 32 3/8 in

2x - 11888 - 38.1 x 38.1 x 1552.6 mm - 38311888



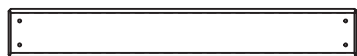
1 1/2 x 1 1/2 x 61 1/8 in

1x - 11889 - 34.9 x 63.5 x 971.5 mm - 38311889



1 3/8 x 2 1/2 x 38 1/4 in

2x - 11890 - 15.9 x 76.2 x 552.4 mm - 38311890



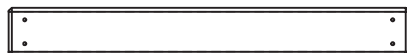
5/8 x 3 x 21 3/4 in

1x - 11891 - 31.8 x 76.2 x 819.1 mm - 37711891



1 1/4 x 3 x 32 1/4 in

8x - 11892 - 15.9 x 76.2 x 631.8 mm - 38311892



5/8 x 3 x 24 7/8 in

1x - 11893 - 23.8 x 136.5 x 793.7 mm - 37711893



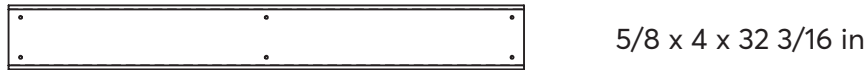
15/16 x 5 3/8 x 31 1/4 in

Part Identification (Reduced Size)

1x - 11894 - 38.1 x 38.1 x 743 mm - 37711894



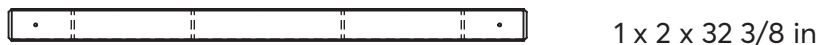
20x - 11895 - 15.9 x 101.6 x 818.3 mm - 35811895



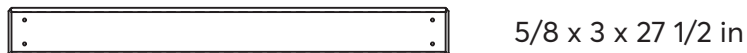
2x - 11896 - 15.9 x 98.43 x 818.3 mm - 35811896



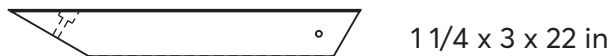
2x - 11897 - 25.4 x 50.8 x 822.3 mm - 38311897



4x - 11898 - 15.9 x 76.2 x 698.5 mm - 38311898



1x - 11899 - 31.8 x 76.2 x 558.8 mm - 38311899



1x - 11900 - 34.9 x 63.5 x 822.3 mm - 38311900



1x - 11901 - 34.9 x 73 x 460.4 mm - 38311901



1x - 11902 - 34.9 x 63.5 x 393.7 mm - 38311902



2x - 11903 - 34.9 x 76.2 x 965.2 mm - 38311903



2x - 11904 - 34.9 x 63.5 x 379.4 mm - 38311904



4x - 11905 - 25.4 x 63.5 x 379.4 mm - 38311905



6x - 11906 - 9.5 x 76.2 x 266.7 mm - 38311906



Part Identification (Reduced Size)

1x - 11907 - 31.8 x 133.4 x 695.3 mm - 38311907



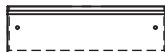
1 1/4 x 5 1/4 x 27 3/8 in

4x - 11908 - 31.8 x 63.5 x 552.4 mm - 38311908



1 1/4 x 2 1/2 x 21 3/4 in

12x - 11909 - 9.5 x 76.2 x 250.8 mm - 38311909



3/8 x 3 x 9 7/8 in

1x - 11910 - 31.8 x 76.2 x 965.2 mm - 38311910



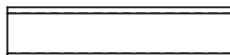
1 1/4 x 3 x 38 in

1x - 11911 - 31.8 x 76.2 x 539.9 mm - 38311911



1 1/4 x 3 x 21 1/4 in

3x - 11912 - 23.8 x 82.6 x 355.6 mm - 38311912



15/16 x 3 1/4 x 14 in

1x - 11913 - 38.1 x 38.1 x 793.7 mm - 38311913



1 1/2 x 1 1/2 x 31 1/4 in

1x - 11914 - 38.1 x 38.1 x 622.3 mm - 38311914



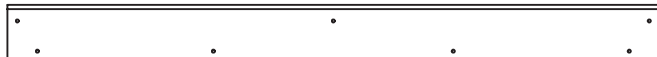
1 1/2 x 1 1/2 x 24 1/2 in

3x - 11915 - 38.1 x 38.1 x 85.7 mm - 38311915



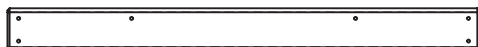
1 1/2 x 1 1/2 x 3 3/8 in

1x - 11916 - 9.5 x 88.9 x 1035 mm - 37711916



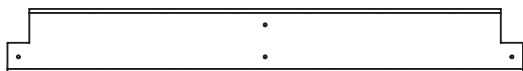
3/8 x 3 1/2 x 40 3/4 in

1x - 11917 - 15.9 x 67.9 x 749.3 mm - 35811917



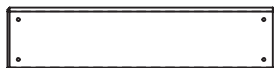
5/8 x 2 11/16 x 29 1/2 in

1x - 11918 - 15.9 x 101.6 x 818.3 mm - 35811918



5/8 x 4 x 32 3/16 in

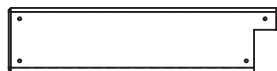
1x - 11919 - 15.9 x 101.6 x 424.6 mm - 35811919



5/8 x 4 x 16 11/16 in

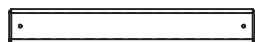
Part Identification (Reduced Size)

1x - **11920** - 15.9 x 101.6 x 424.6 mm - 35811920



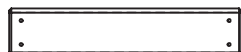
5/8 x 4 x 16 11/16 in

1x - **11921** - 15.9 x 54 x 389.7 mm - 35811921



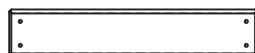
5/8 x 2 1/8 x 15 5/16 in

4x - **11922** - 15.9 x 76.2 x 368.3 mm - 38311922



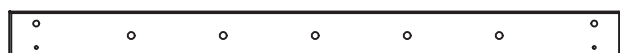
5/8 x 3 x 14 1/2 in

1x - **11923** - 15.9 x 76.2 x 393.7 mm - 38311923



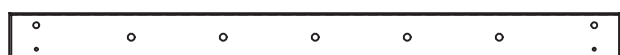
5/8 x 3 x 15 1/2 in

2x - **11924** - 31.8 x 76.2 x 971.5 mm - 38311924



1 1/4 x 3 x 38 1/4 in

2x - **11924** - 31.8 x 76.2 x 971.5 mm - 37711924



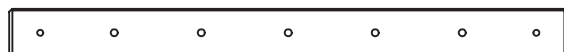
1 1/4 x 3 x 38 1/4 in

1x - **11925** - 31.8 x 76.2 x 885.8 mm - 37711925



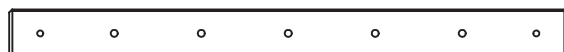
1 1/4 x 3 x 34 7/8 in

1x - **11926** - 31.8 x 76.2 x 885.8 mm - 37711926



1 1/4 x 3 x 34 7/8 in

1x - **11926** - 31.8 x 76.2 x 885.8 mm - 38311926



1 1/4 x 3 x 34 7/8 in

1x - **11927** - 31.8 x 76.2 x 923.9 mm - 38311927



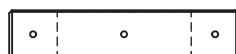
1 1/4 x 3 x 36 3/8 in

1x - **11928** - 31.8 x 76.2 x 844.5 mm - 38311928



1 1/4 x 3 x 33 1/4 in

2x - **11929** - 31.8 x 76.2 x 365.1 mm - 38311929



1 1/4 x 3 x 14 3/8 in

17x - **11930** - 15.9 x 76.2 x 762 mm - 38311930



5/8 x 3 x 30 in

Part Identification (Reduced Size)

1x - 11931 - 15.9 x 55 x 762 mm - 38311931



5/8 x 2 3/16 x 30 in

4x - 11932 - 31.8 x 127 x 622 mm - 38311932



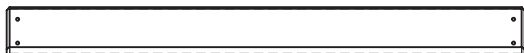
1 1/4 x 5 x 22 13/16 in

1x - 11933 - 31.8 x 76.2 x 492.1 mm - 38311933



1 1/4 x 3 x 19 3/8 in

2x - 11934 - 31.8 x 76.2 x 822.3 mm - 38311934



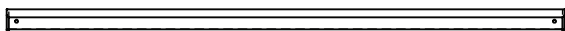
1 1/4 x 3 x 32 3/8 in

12x - 11935 - 9.5 x 88.9 x 885.8 mm - 37711935



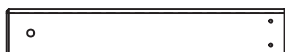
3/8 x 3 1/2 x 34 7/8 in

2x - 11936 - 15.9 x 38.1 x 885.8 mm - 37711936



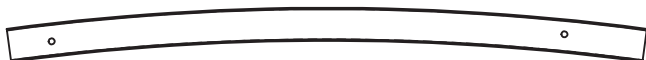
5/8 x 1 1/2 x 34 7/8 in

2x - 11937 - 15.9 x 76.2 x 444.5 mm - 38311937



5/8 x 3 x 17 1/2 in

3x - 11938 - 31.8 x 85.7 x 1016.1 mm - 38311938



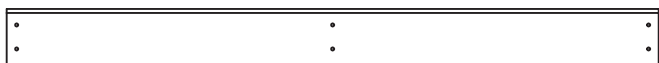
1 1/4 x 3 3/8 x 41 7/16 in

2x - 11939 - 31.8 x 50.8 x 1035 mm - 38311939



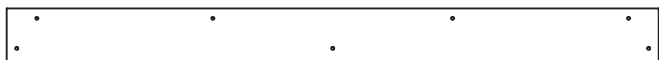
1 1/4 x 2 x 40 3/4 in

11x - 11940 - 9.5 x 88.9 x 1035 mm - 37711940



3/8 x 3 1/2 x 40 3/4 in

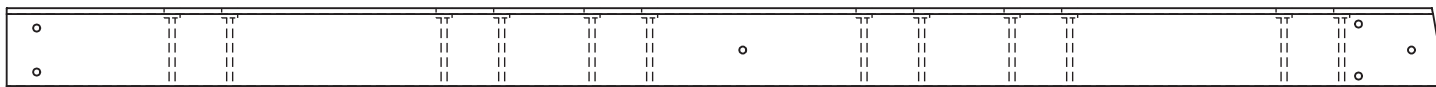
1x - 11941 - 9.5 x 88.9 x 1035 mm - 37711941



3/8 x 3 1/2 x 40 3/4 in

1x - 11942 - 76.2 x 133.4 x 2286 mm - 38311942

3 x 5 1/4 x 90 in



2x - 11943 - 31.8 x 76.2 x 355.6 mm - 38311943



1 1/4 x 3 x 14 in

Part Identification (Reduced Size)

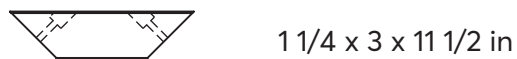
2x - **11944** - 31.8 x 76.2 x 457.2 mm - 38311944



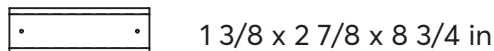
1x - **9522** - 31.8 mm x 396.9 mm x 990.6 mm - 37539522

1 1/4 x 15 5/8 x 39 in

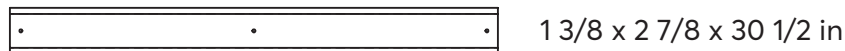
3x - **11945** - 31.8 x 76.2 x 292.1 mm - 38311945



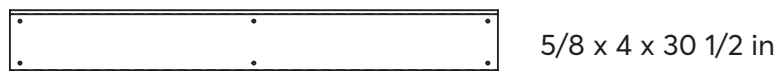
3x - **11946** - 34.9 x 73 x 222.2 mm - 35811946



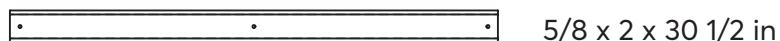
1x - **11947** - 34.9 x 73 x 774.7 mm - 35811947



2x - **11948** - 15.9 x 101.6 x 774.7 mm - 35811948



1x - **11949** - 15.9 x 50.8 x 774.7 mm - 35811949



1x - **11950** - 25.4 x 31.8 x 177.8 mm - 38311950



2x - **11951** - 25.4 x 88.9 x 819.1 mm - 38311951



1x - **11952** - 34.9 x 85.7 x 965.2 mm - 38311952



1x - **11953** - 25.4 x 76.2 x 762 mm - 38311953

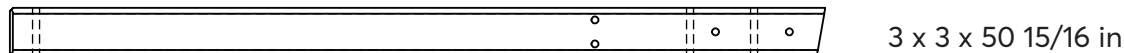


2x - **2613** - 50.8 x 76.2 x 2201.9 mm - 3832613

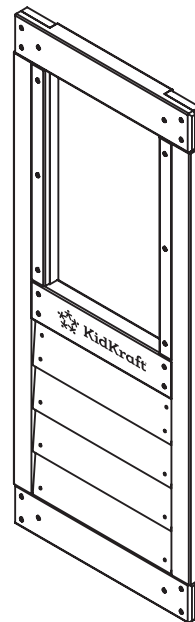
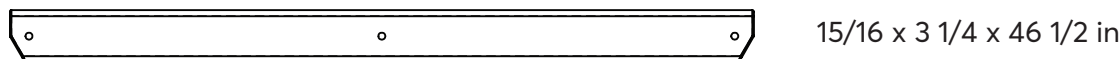
2 x 3 x 86 11/16 in



1x - **2615** - 76.2 x 76.2 x 1294.3 mm - 3832615



1x - **2616** - 23.8 x 82.6 x 1181.1 mm - 3832616



Part Identification (Reduced Part Size)

1x - 9320374



1x - 3320353



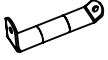
1x - 9320195RD
2x - 9320197LG



2x - 9320297BL
1x - 9320296



1x - 9200158



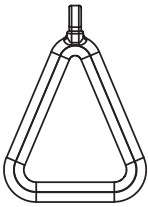
2x - 9200145



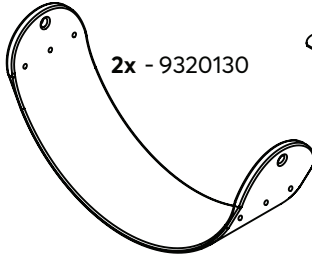
5x - 9201570



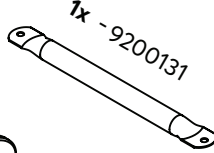
2x - 9200133



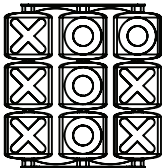
2x - 9320130



1x - 9200131



1x - 33210023



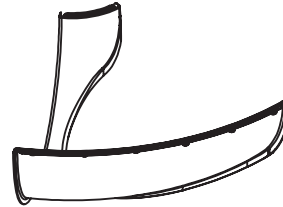
6x - 9210010



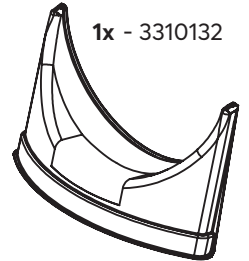
6x - 9290318



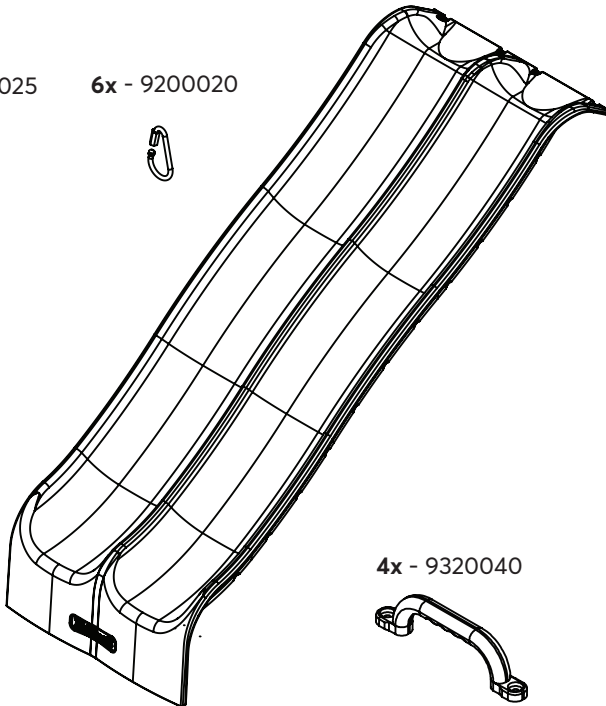
1x - 3310124



1x - 3310132



1x - 3318125



6x - 9200025



6x - 9200020



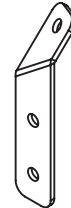
2x - 9200157



31x - 54902200



1x - 9200156



30x - 53453202



1x - 53452209



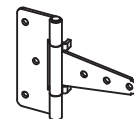
2x - 9200174 - 20 in (50.8 cm)

4x - 9200172 - 48 in (1.2 m)

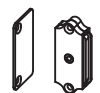
2x - 9207711



2x - 9207712

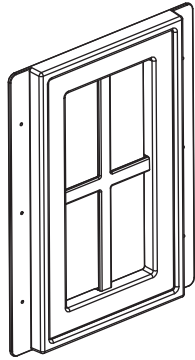
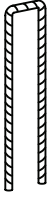


1x - 9207713

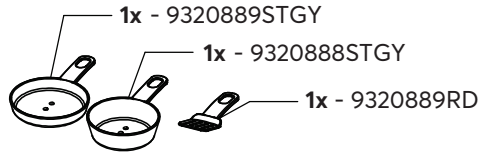


Part Identification (Reduced Part Size)

2x - 9200087



1x - 33215822



1x - 9320889STGY

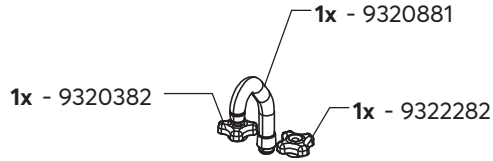
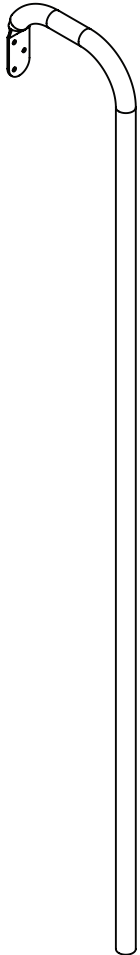
1x - 9320888STGY

1x - 9320889RD

1x - 9321691



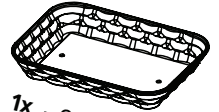
1x - 3210105



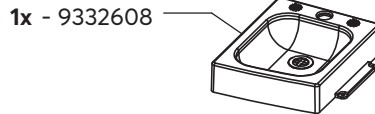
1x - 9320881

1x - 9320382

1x - 9322282



1x - 9330313



1x - 9332608

1x - 9331652STGY

2x - 52040302



1x - 9330383

1x - 9333686



1x - 9330687



1x - 9333685



1x - 9332090



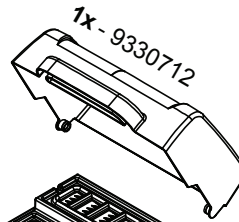
1x - 9333689



1x - 9330284

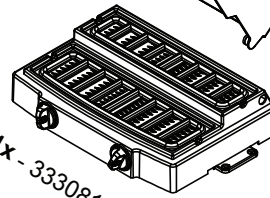


1x - 9330288

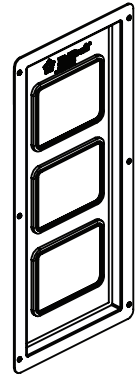


1x - 9330712

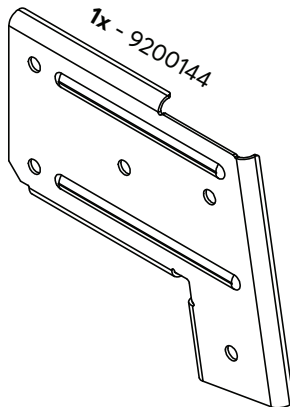
2x - 9345800



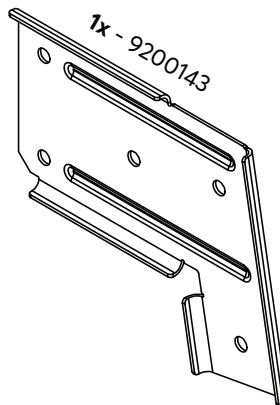
1x - 3330811



1x - 9200186



1x - 9200144



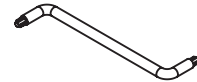
1x - 9200143

Included in hardware kit



1x - 1/8 x 3 in
(3.2 x 76.2 mm)
(9300183)

1x - D1 (9200015)

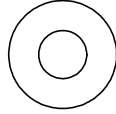


Hardware Identification (Actual Size)

8 x **(LW1)** - 1/4 in - 51307200
6.4 mm



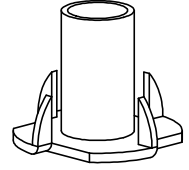
9 x **(FW0)** - 3/16 in - 51107100
4.8 mm



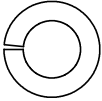
59 x **(LN1)** - 1/4 in - 54307200
6.4 mm



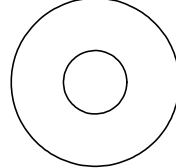
142 x **(TN2)** - 5/16 in - 54507300
7.9 mm



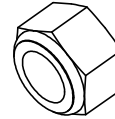
135 x **(LW2)** - 5/16 in - 51307300
7.9 mm



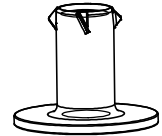
245 x **(FW2)** - 5/16 in - 51107300
7.9 mm



38 x **(LN2)** - 5/16 in - 54307300
7.9 mm



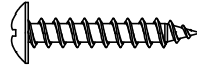
8 x **(BN1)** - 1/4 in - 54807200
6.4 mm



2 x **(S13)** - #6 x 5/8 in - 52417908
15.9 mm



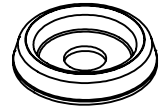
184 x **(S0)** - #8 x 7/8 in - 52937505
22.2 mm



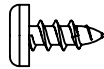
6 x **(S10)** - #8 x 1 in - 52437510
25.4 mm



8 x **(FW6)** - #12 - 9299500



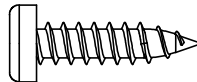
10 x **(S5)** - #8 x 1/2 in - 52437502
12.7 mm



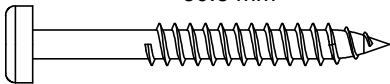
35 x **(S37)** - #7 x 5/8 in - 52437009
15.9 mm



18 x **(S6)** - #12 x 1 in - 52437610
25.4 mm



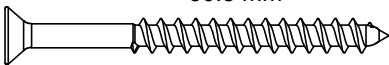
68 x **(S7)** - #12 x 2 in - 52437620
50.8 mm



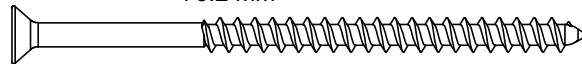
263 x **(S20)** - #8 x 1-3/8 in - 52047516
34.9 mm



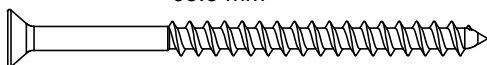
65 x **(S11)** - #8 x 2 in - 52047520
50.8 mm



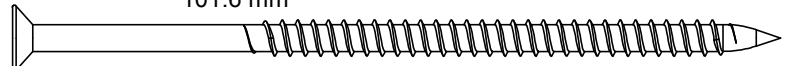
18 x **(S4)** - #8 x 3 in - 52047530
76.2 mm



68 x **(S3)** - #8 x 2-1/2 in - 52047522
63.5 mm

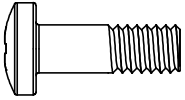


12 x **(S24)** - #10 x 4 in - 52047940
101.6 mm

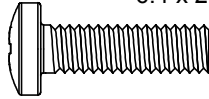


Hardware Identification (Actual Size)

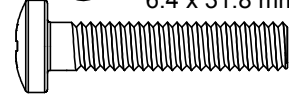
49 x (PB1) - 1/4 x 3/4 in - 53457203
6.4 x 19.1 mm



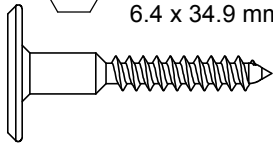
11 x (PB6) - 1/4 x 1 in - 53417210
6.4 x 25.4 mm



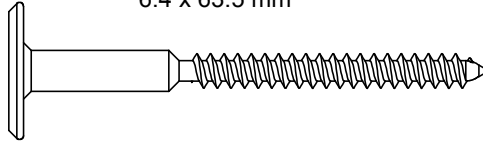
8 x (PB2) - 1/4 x 1-1/4 in - 53437212
6.4 x 31.8 mm



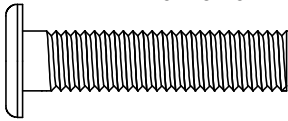
6 x (WL3) - 1/4 x 1-3/8 in - 52617216
6.4 x 34.9 mm



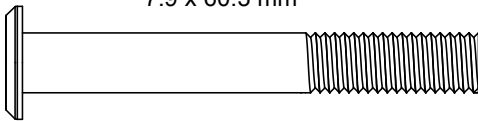
21 x (WL5) - 1/4 x 2-1/2 in - 52617222
6.4 x 63.5 mm



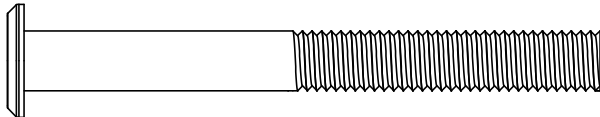
16 x (WB2) - 5/16 x 1-3/8 in - 53617316
7.9 x 34.9 mm



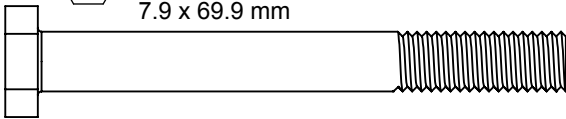
2 x (WB8) - 5/16 x 2-3/8 in - 53617326
7.9 x 60.3 mm



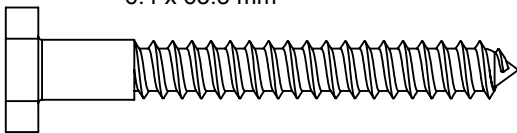
3 x (WB7) - 5/16 x 3 in - 53617330
7.9 x 76.2 mm



47 x (G36) - 5/16 x 2-3/4 in - 53707323
7.9 x 69.9 mm

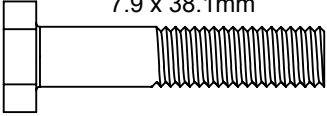


6 x (LS2) - 1/4 x 2-1/2 in - 52217222
6.4 x 63.5 mm

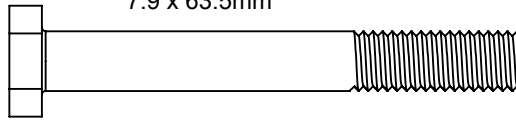


Hardware Identification (Actual Size)

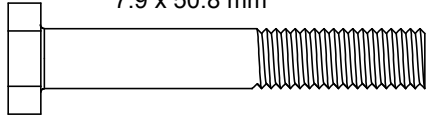
4 x **G1** - 5/16 x 1-1/2 in - 53707312
7.9 x 38.1mm



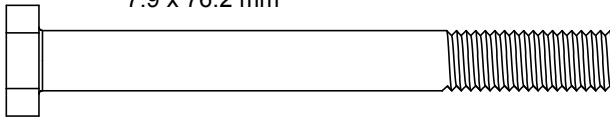
11 x **G9** - 5/16 x 2-1/2 in - 53707322
7.9 x 63.5mm



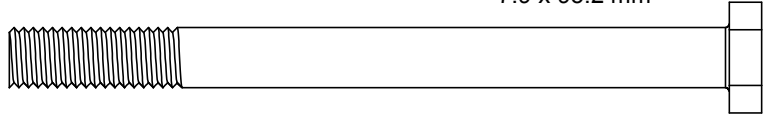
43 x **G8** - 5/16 x 2 in - 53707320
7.9 x 50.8 mm



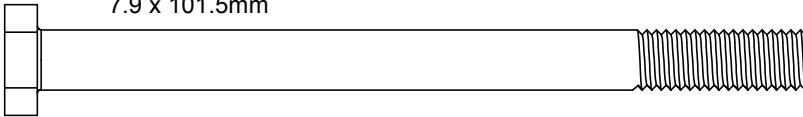
3 x **G10** - 5/16 x 3 in - 53707330
7.9 x 76.2 mm



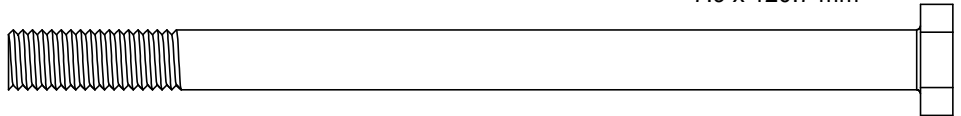
7 x **G21** - 5/16 x 3-3/4 in - 53707333
7.9 x 95.2 mm



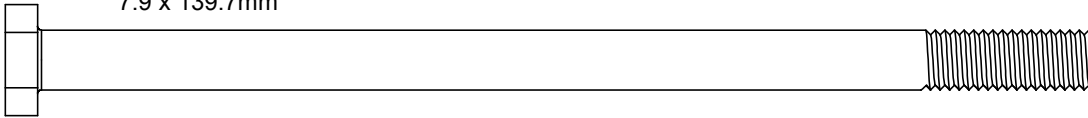
3 x **G4** - 5/16 x 4 in - 53707340
7.9 x 101.5mm



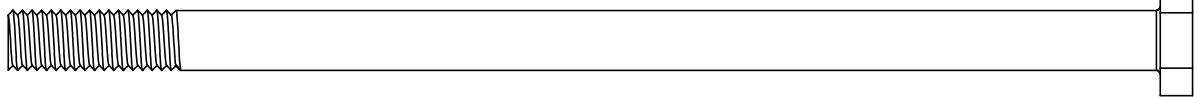
23 x **G6** - 5/16 x 4-3/4 in - 53707343
7.9 x 120.7 mm



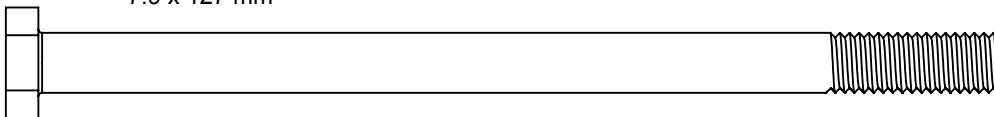
12 x **G7** - 5/16 x 5-1/2 in - 53707352
7.9 x 139.7mm



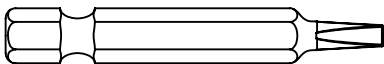
2 x **Z** - 5/16 x 6 in - 53707360
7.9 x 152.4 mm



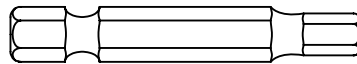
4 x **G22** - 5/16 x 5 in - 53707350
7.9 x 127 mm



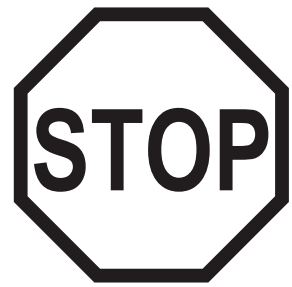
1 x **D4** - #2 x 2 in - 9200014
50.8mm



1 x **D6** - 3/16 in - 9200019
4.8mm

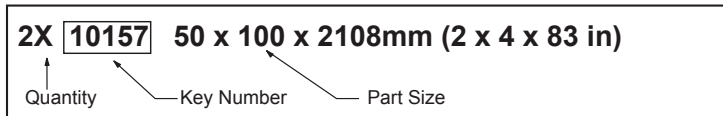


1 Inventory Parts - Read This Before Starting Assembly



Inventory should be completed before starting installation. KidKraft will not cover costs of any additional installation trip due to missing or damaged pieces.

- A. This is the time for you to inventory all your hardware, wood and accessories, referencing the parts identification sheets. This will assist you with your assembly.
- The wood pieces will have the key number stamped on the ends of the boards. Organize the wood pieces by step, as per the key numbering system below.



- B. Read the assembly manual completely, paying special attention to ANSI warnings, notes, and safety/maintenance information on pages 1 - 8.

**If there are missing or damaged pieces,
please contact the KidKraft Consumer Engagement team
before going back to the retailer.**

Request Replacement Parts 24/7

You can request replacement parts for this product 24 hours a day / 7 days a week:

Outdoor Swingsets and Playhouse Parts Ordering

<https://parts.kidkraft.com/>

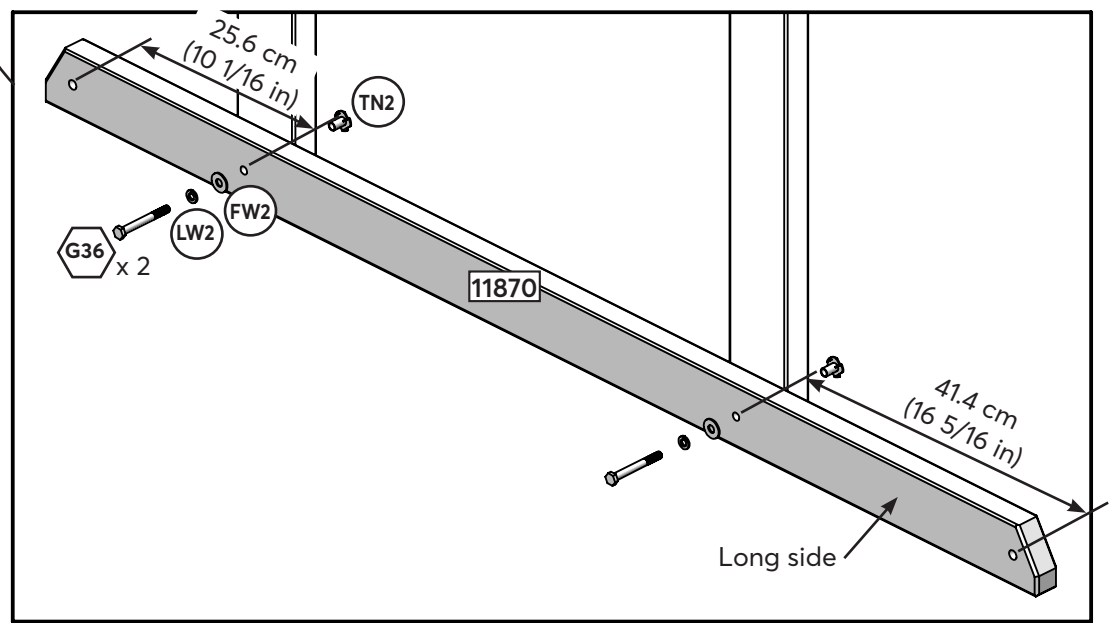
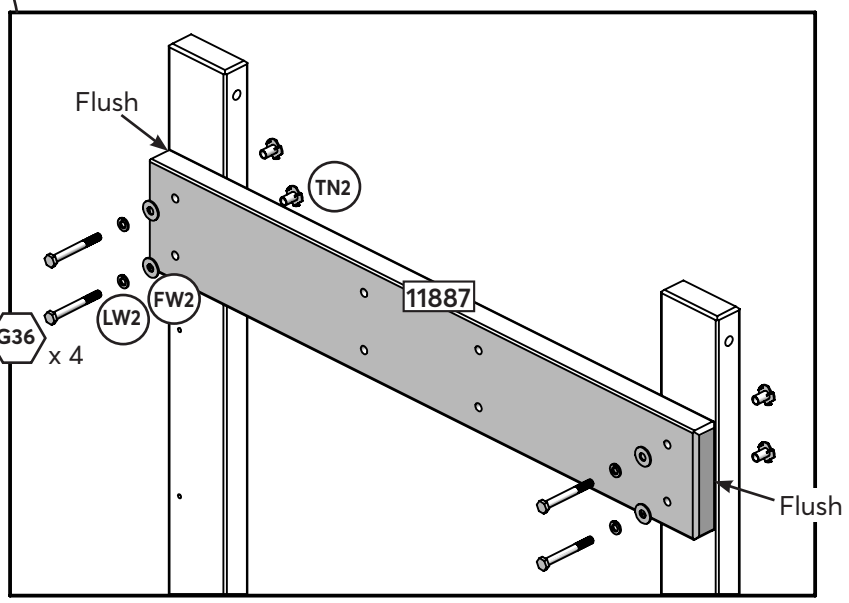
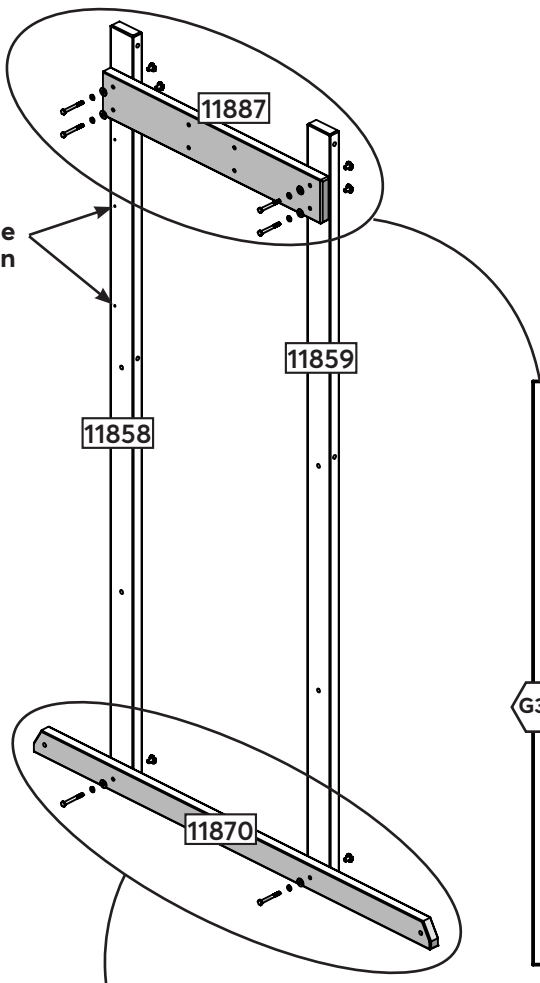
If you have assembly or product questions, please refer to the front cover for direct contact information for our Consumer Engagement team.

2



Assemble T-Nuts first with hammer!
Make sure the assembly is square.

Note hole orientation



Wood Parts

- 1 x **11887** 31.8 x 133.4 x 822.3 mm (1 1/4 x 5 1/4 x 32 3/8 in)
- 1 x **11858** 34.9 x 85.7 x 2311.4 mm (1 3/8 x 3 3/8 x 91 in)

- 1 x **11859** 34.9 x 85.7 x 2311.4 mm (1 3/8 x 3 3/8 x 91 in)
- 1 x **11870** 31.8 x 76.2 x 1487 mm (1 1/4 x 3 x 58 9/16 in)

Hardware

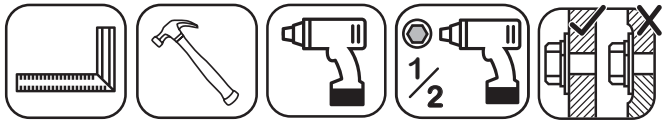
- 6 x **G36** 7.9 x 69.9 mm (5/16 x 2-3/4 in) (LW2, FW2, TN2)



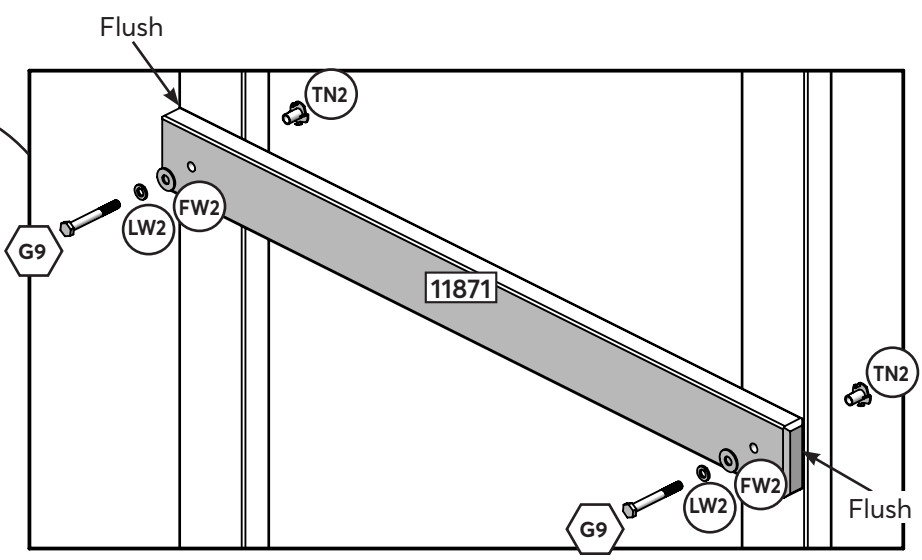
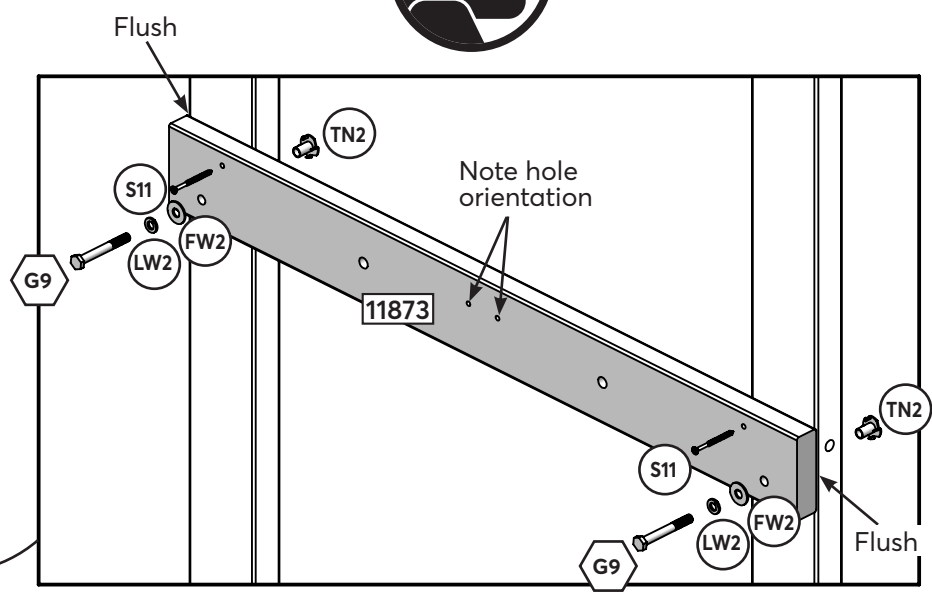
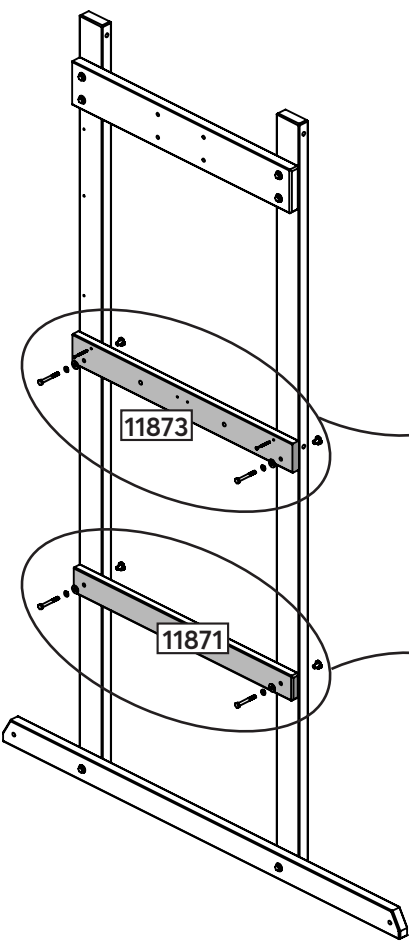
kidkraft.com

customerservice@kidkraft.com
1.800.933.0771
972.385.0100

3



Assemble T-Nuts first with hammer!
Make sure the assembly is square.



Wood Parts

- 1 x **11873** 25.4 x 88.9 x 822.3 mm (1 x 3 1/2 x 32 3/8 in)
- 1 x **11871** 25.4 x 76.2 x 822.3 mm (1 x 3 x 32 3/8 in)

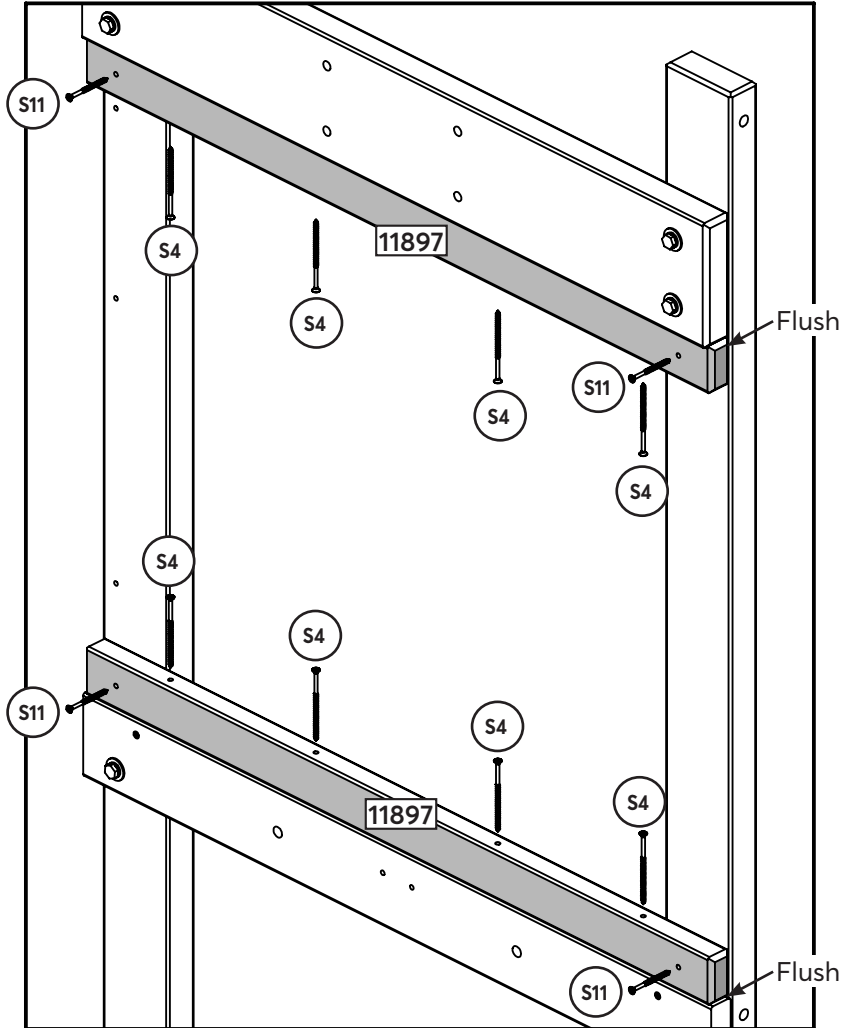
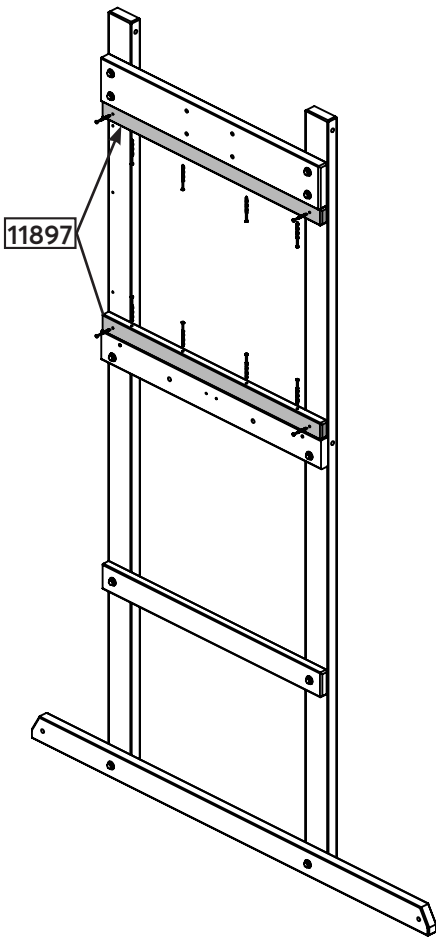
Hardware

- 4 x **G9** 7.9 x 63.5 mm (5/16 x 2-1/2 in) (LW2, FW2, TN2)
- 2 x **S11** #8 x 50.8 mm (#8 x 2 in)



kidkraft.com

customerservice@kidkraft.com
1.800.933.0771
972.385.0100



Wood Parts

2 x 11897 25.4 x 50.8 x 822.3 mm (1 x 2 x 32 3/8 in)

Hardware

8 x S4 #8 x 76.2 mm (#8 x 3 in)

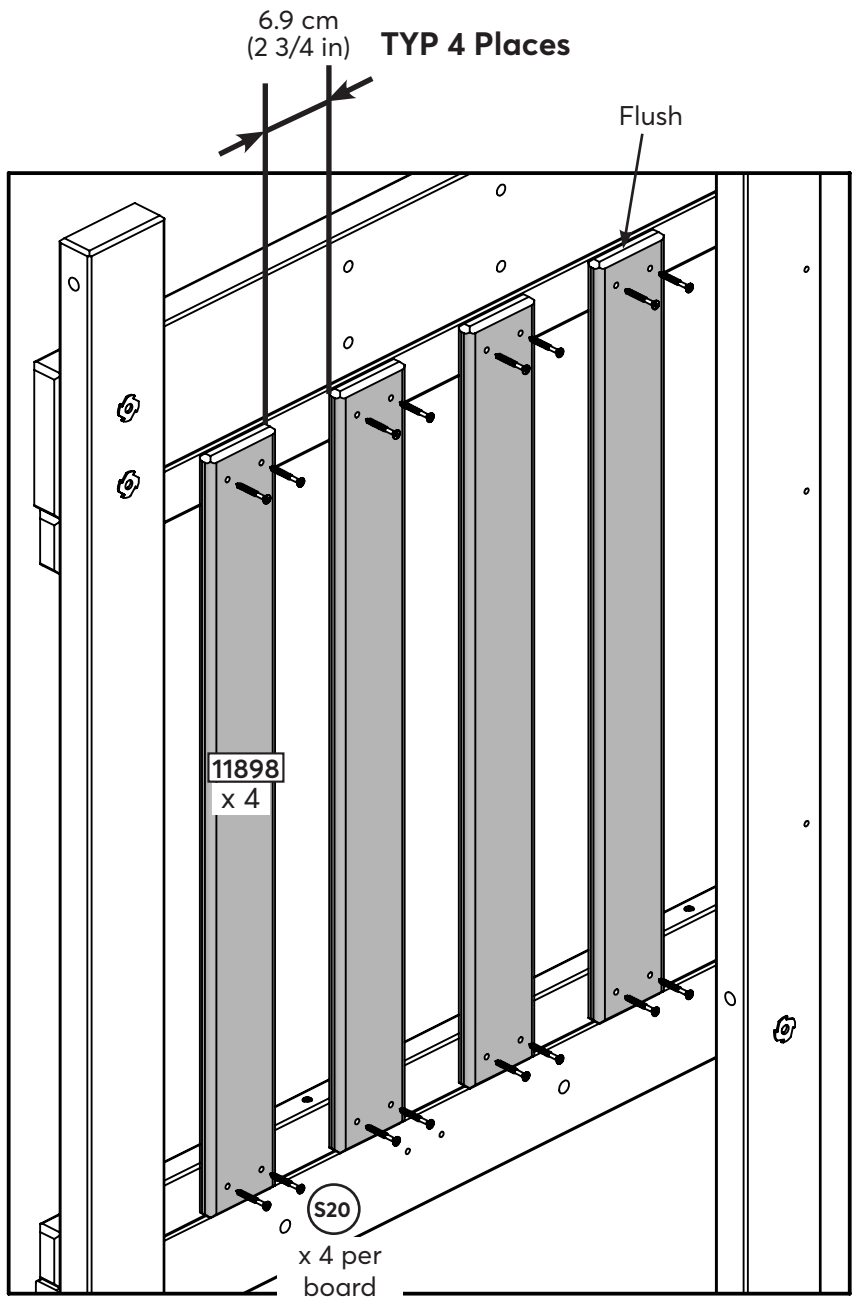
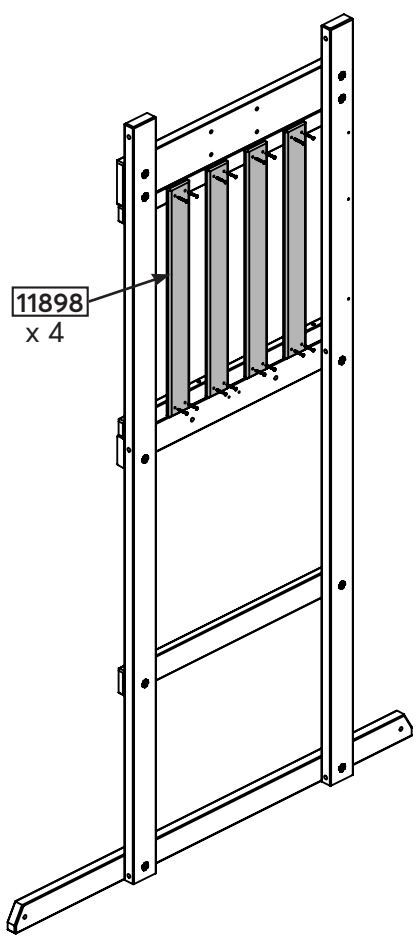
4 x S11 #8 x 50.8 mm (#8 x 2 in)



kidkraft.com

customerservice@kidkraft.com
1.800.933.0771
972.385.0100

5



Wood Parts

4 x 11898 15.9 x 76.2 x 698.5 mm (5/8 x 3 x 27 1/2 in)

Hardware

16 x S20 #8 x 34.9 mm (#8 x 1-3/8 in)

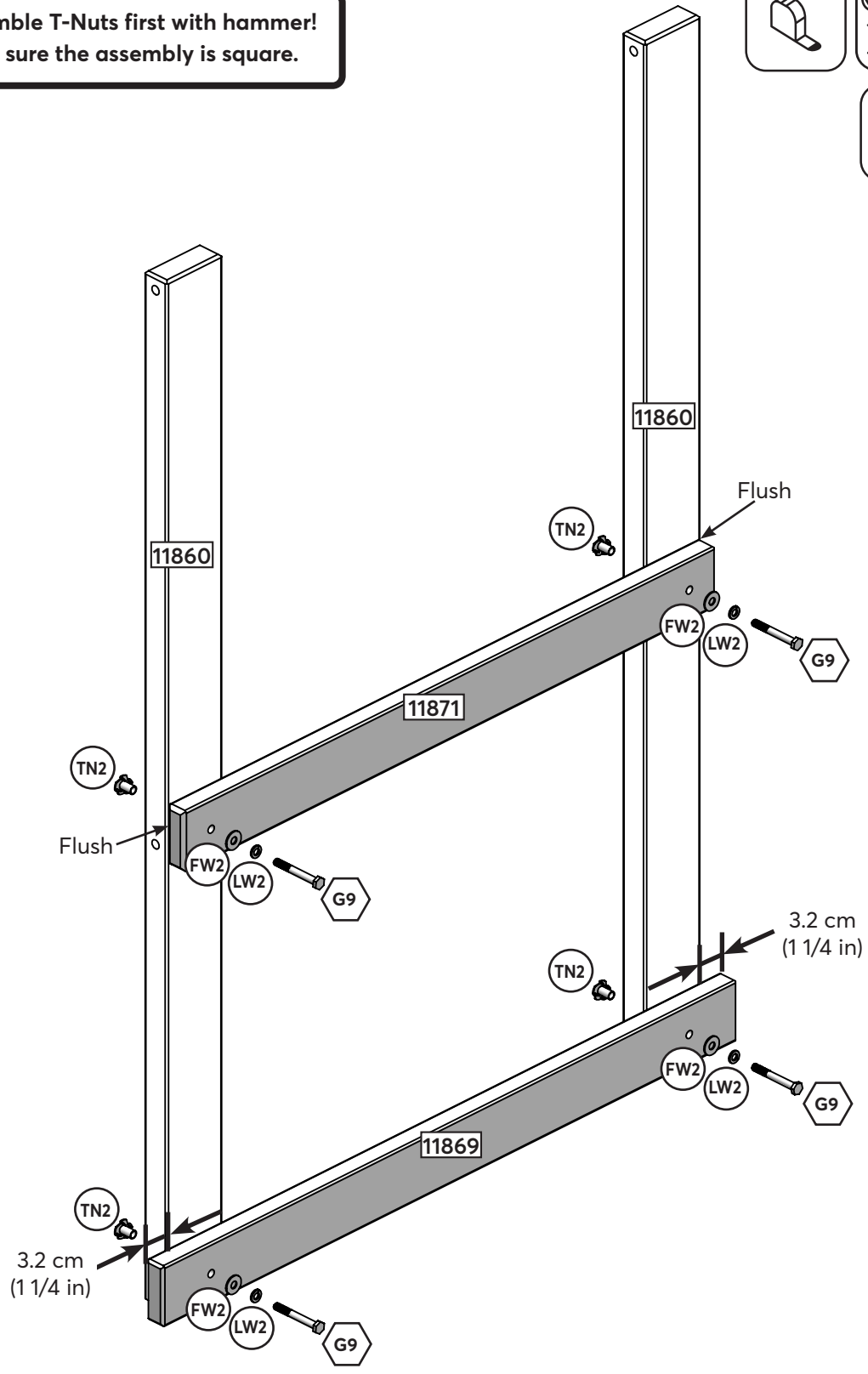
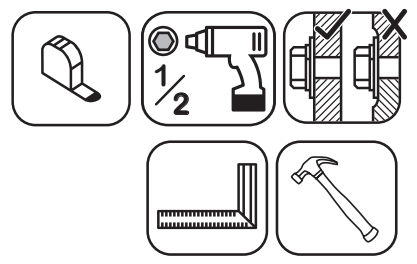


kidkraft.com

customerservice@kidkraft.com
1.800.933.0771
972.385.0100

6

Assemble T-Nuts first with hammer!
Make sure the assembly is square.



Wood Parts

- 2 x **11860** 34.9 x 85.7 x 1292.2 mm (1 3/8 x 3 3/8 x 50 7/8 in)
- 1 x **11871** 25.4 x 76.2 x 822.3 mm (1 x 3 x 32 3/8 in)
- 1 x **11869** 25.4 x 76.2 x 885.8 mm (1 x 3 x 34 7/8 in)

Hardware

- 4 x **G9** 7.9 x 63.5mm (5/16 x 2-1/2 in) (LW2, FW2, TN2)

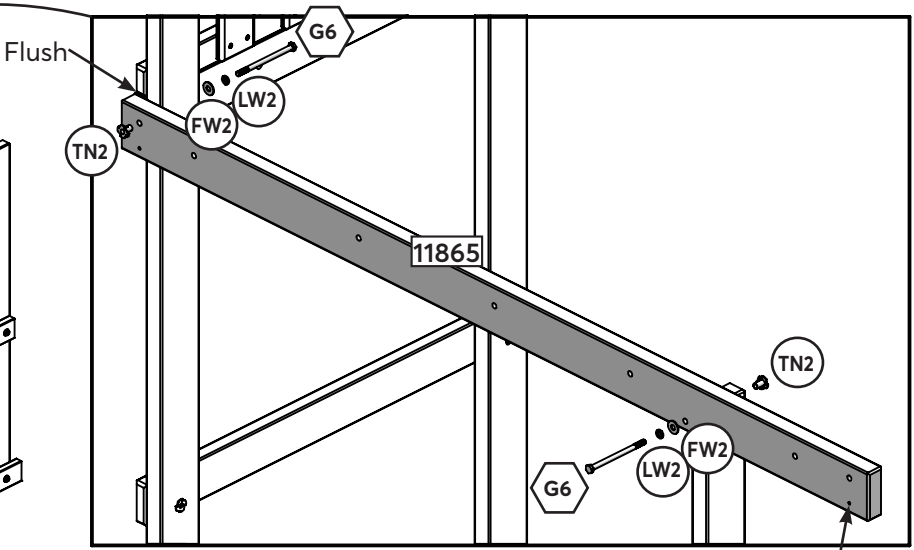
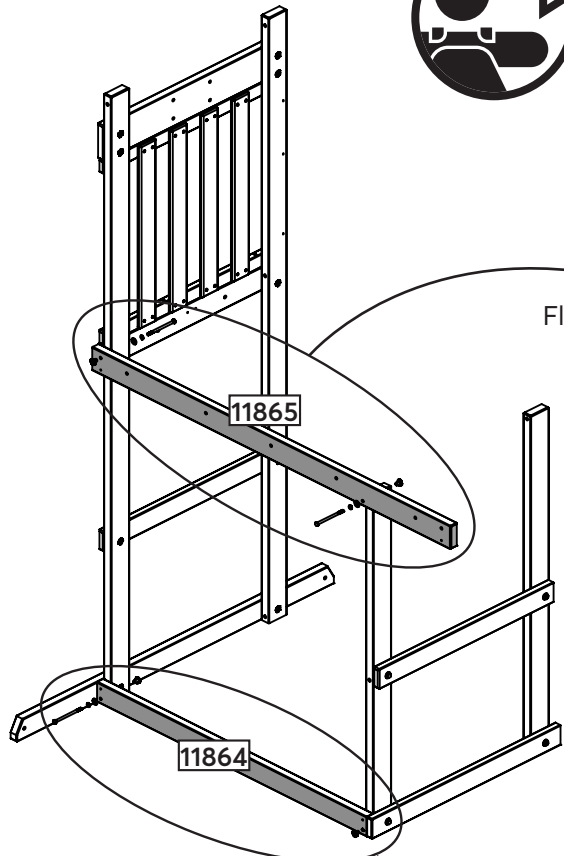
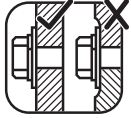


kidkraft.com

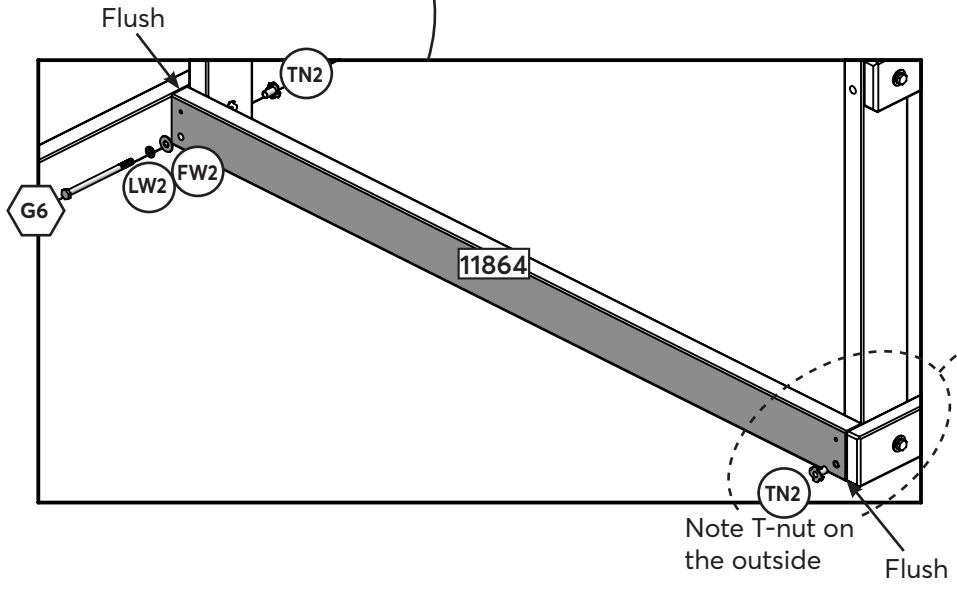
customerservice@kidkraft.com
1.800.933.0771
972.385.0100

7

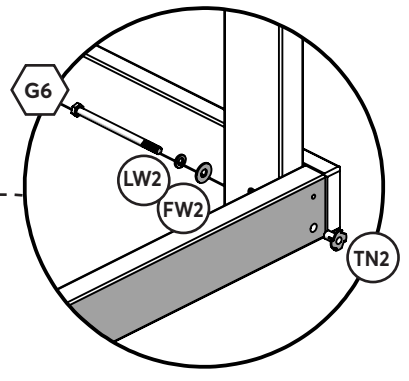
Assemble T-Nuts first with hammer!
Make sure the assembly is square.



Note hole orientation



Rotated View



Wood Parts

- 1 x 11865 31.8 x 88.9 x 1679.5 mm (1 1/4 x 3 1/2 x 66 1/8 in)
- 1 x 11864 31.8 x 76.2 x 1260.5 mm (1 1/4 x 3 x 49 5/8 in)

Hardware

- 4 x G6 7.9 x 120.6 mm (5/16 x 4-3/4 in) (LW2, FW2, TN2)

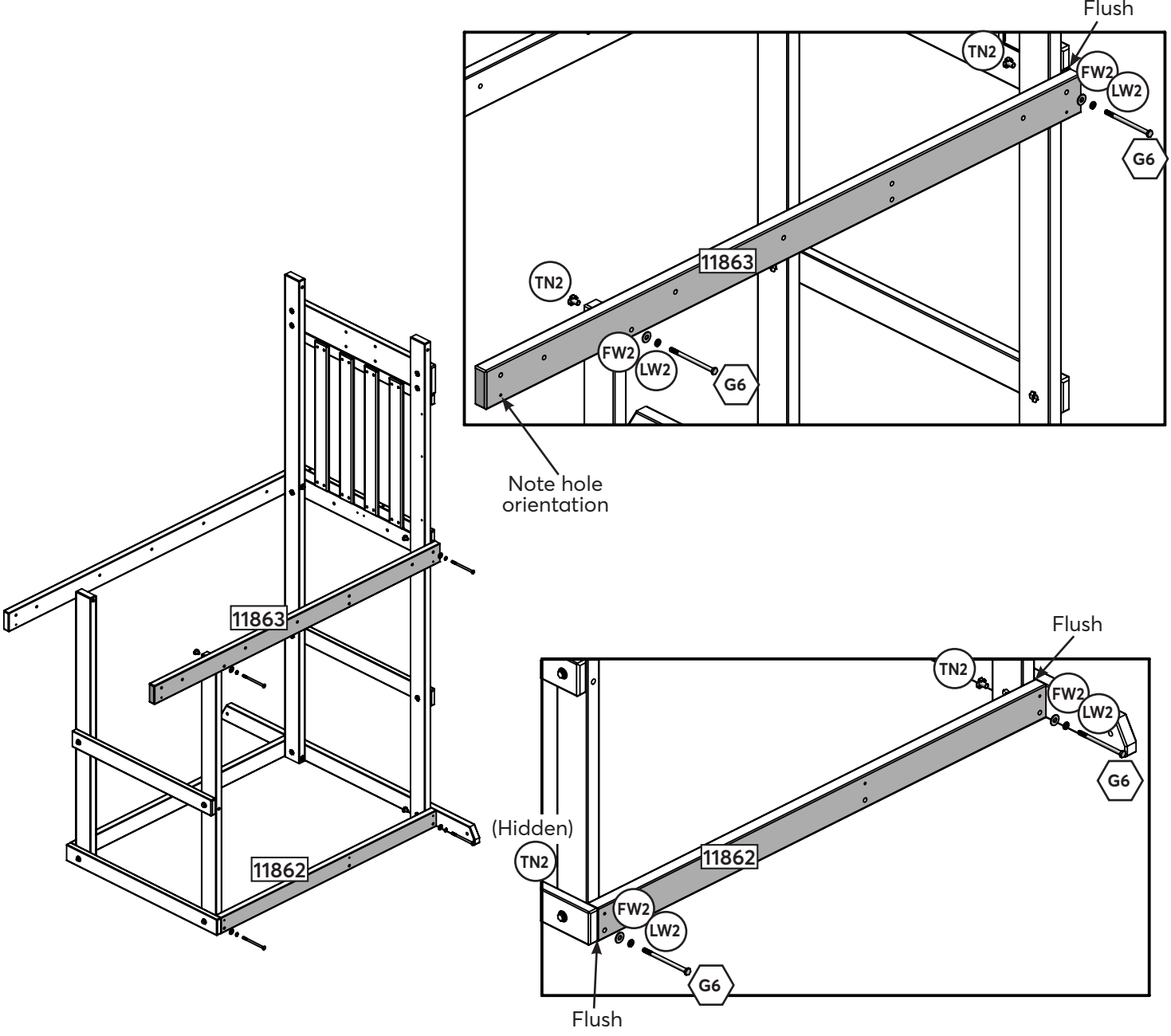
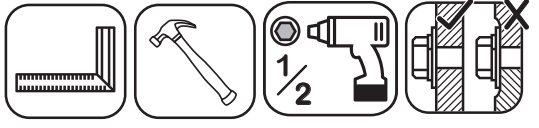


kidkraft.com

customerservice@kidkraft.com
1.800.933.0771
972.385.0100

8

Assemble T-Nuts first with hammer!
Make sure the assembly is square.



Wood Parts

- 1 x 11863 31.8 x 88.9 x 1679.5 mm (1 1/4 x 3 1/2 x 66 1/8 in)
- 1 x 11862 31.8 x 76.2 x 1260.5 mm (1 1/4 x 3 x 49 5/8 in)

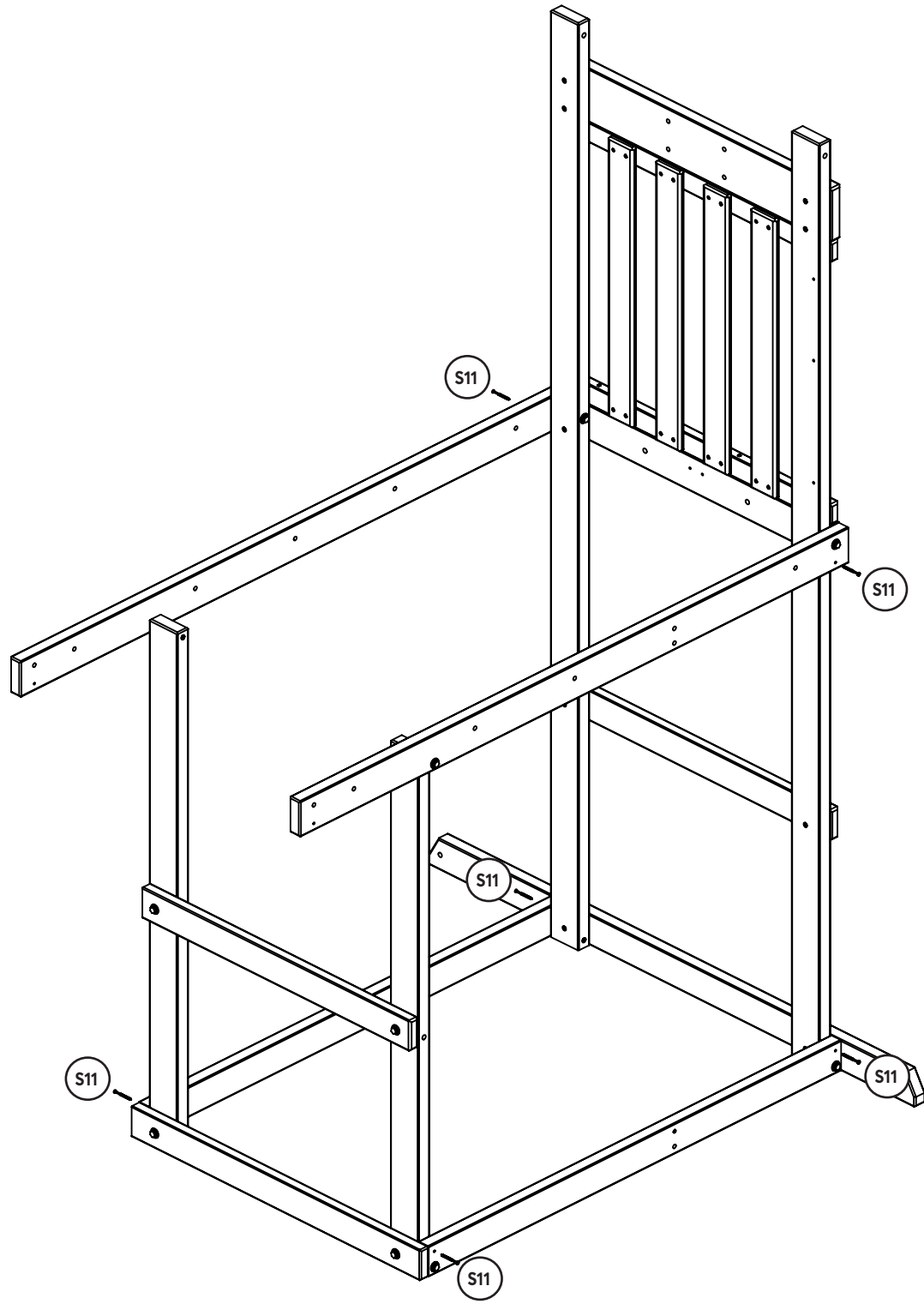
Hardware

- 4 x G6 7.9 x 120.6 mm (5/16 x 4-3/4 in) (LW2, FW2, TN2)



kidkraft.com

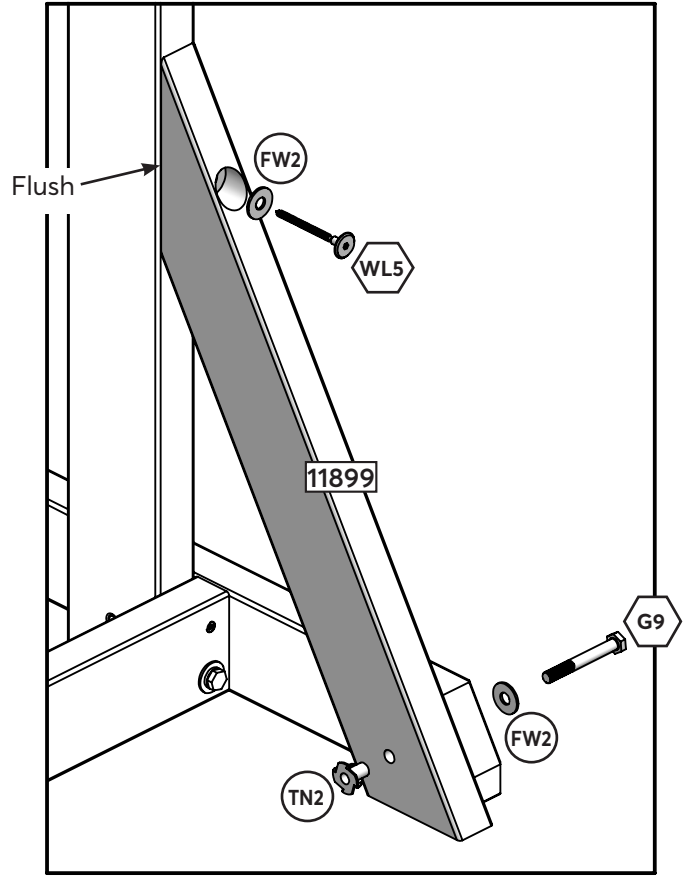
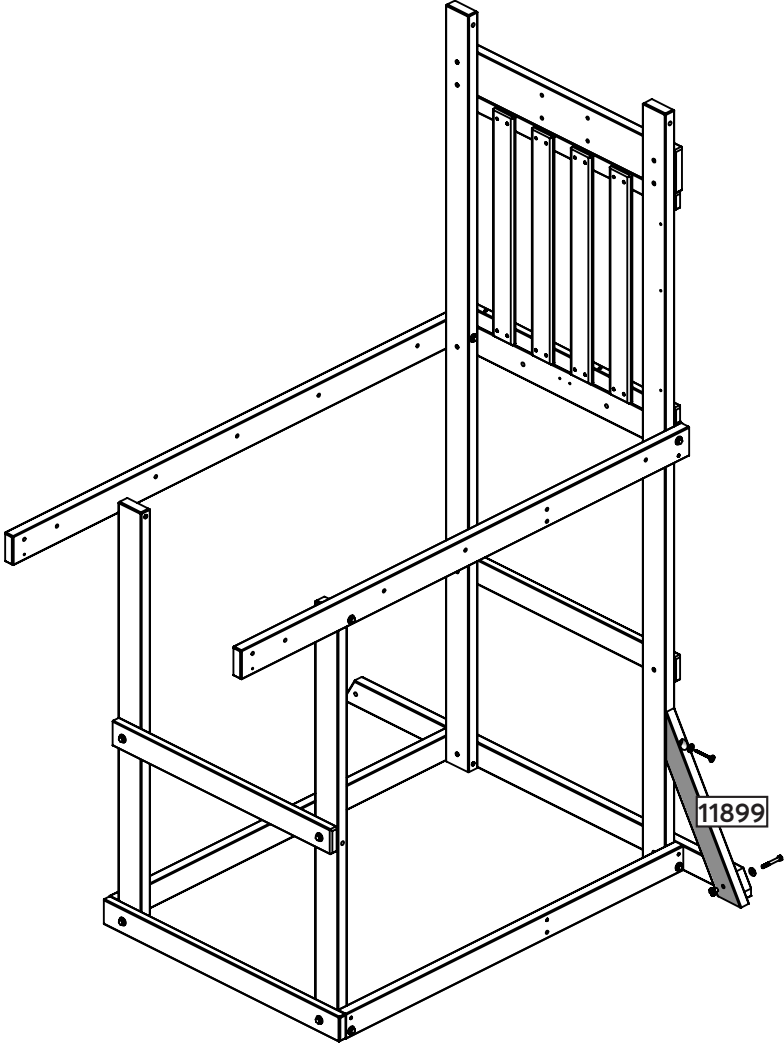
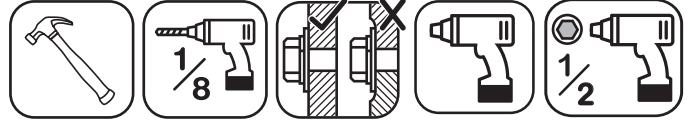
customerservice@kidkraft.com
1.800.933.0771
972.385.0100



Hardware
6 x **S11** #8 x 50.8 mm (#8 x 2 in)

10

Assemble T-Nuts first with hammer!
Pre-drill each hole using a 1/8 in drill bit for WL5.



Wood Parts

1 x 11899 31.8 x 76.2 x 558.8 mm (1 1/4 x 3 x 22 in)

Hardware

1 x G9 7.9 x 63.5 mm (5/16 x 2-1/2 in) (FW2, TN2)

1 x WL5 6.4 x 63.5 mm (1/4 x 2-1/2 in) (FW2)

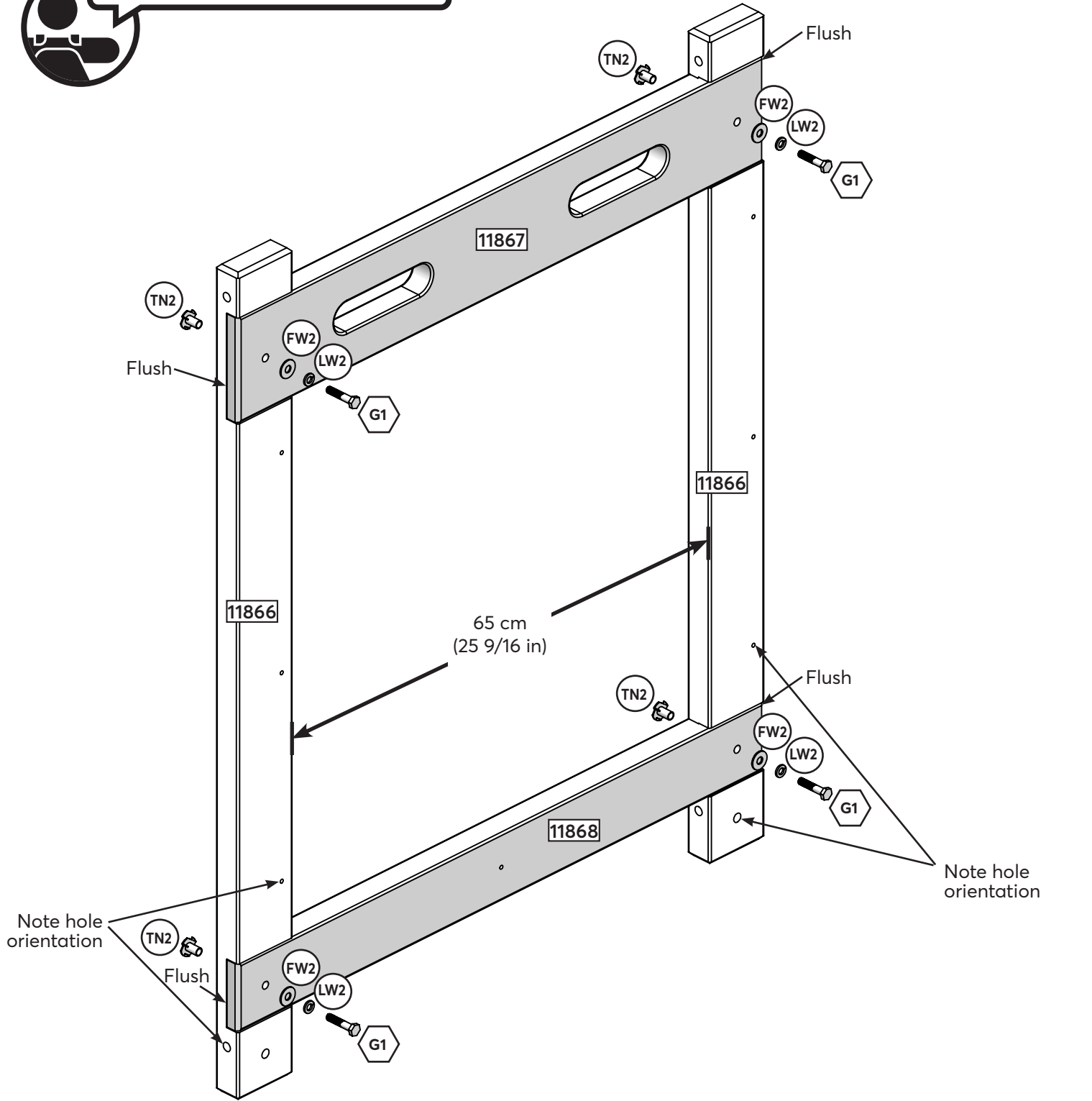


kidkraft.com

customerservice@kidkraft.com
1.800.933.0771
972.385.0100

11

Assemble T-Nuts first with hammer!
Make sure the assembly is square.



Wood Parts

- 2 x **11866** 34.9 x 85.7 x 1054.1 mm (1 3/8 x 3 3/8 x 41 1/2 in)
- 1 x **11867** 31.8 x 133.4 x 822.3 mm (1 1/4 x 5 1/4 x 32 3/8 in)
- 1 x **11868** 34.9 x 85.7 x 822.3 mm (1 3/8 x 3 3/8 x 32 3/8 in)

Hardware

- 4 x **G1** 7.9 x 38.1 mm (5/16 x 1-1/2 in) (LW2, FW2, TN2)

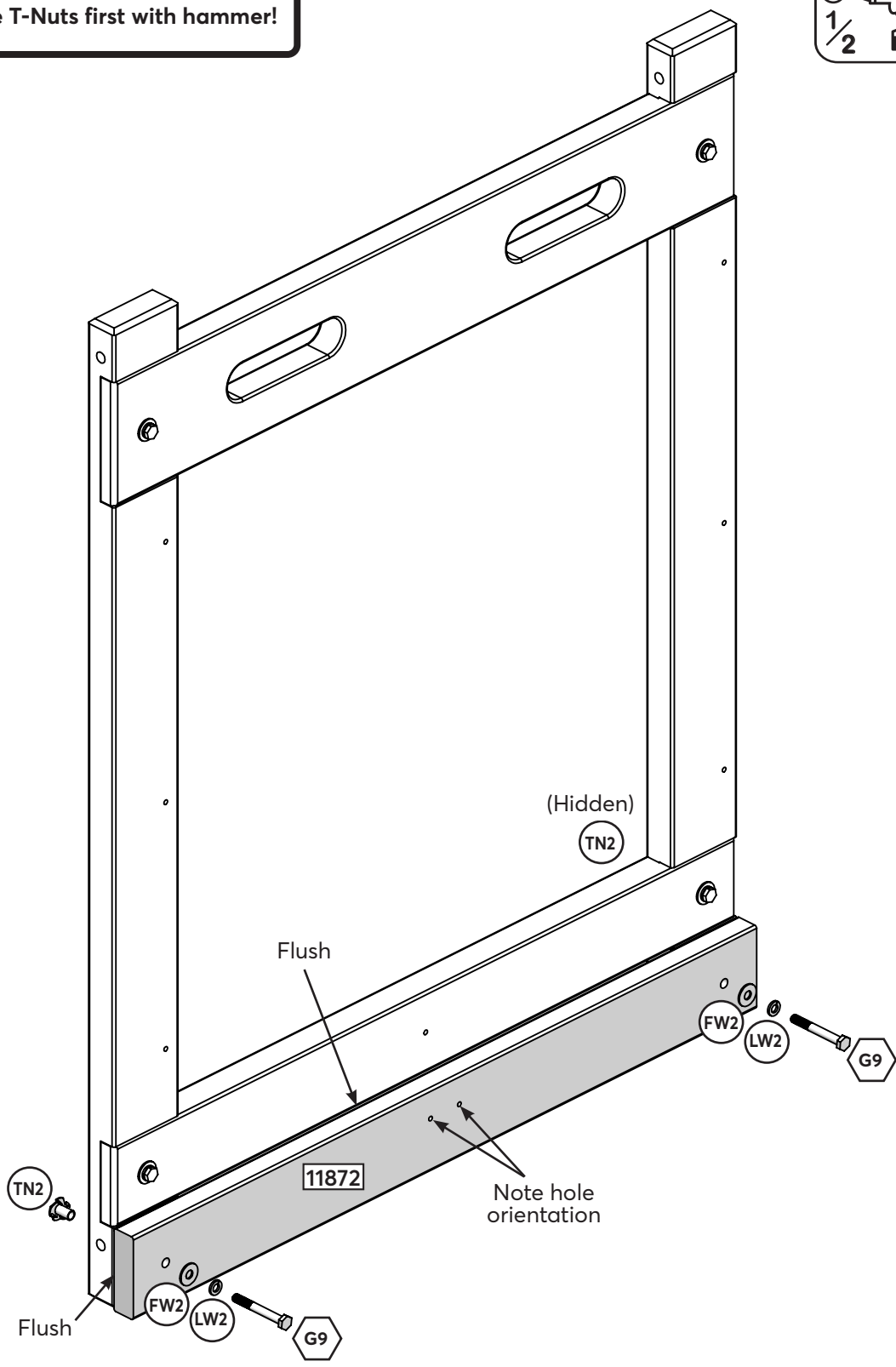
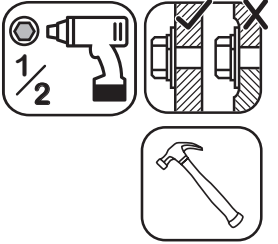


kidkraft.com

customerservice@kidkraft.com
1.800.933.0771
972.385.0100

12

Assemble T-Nuts first with hammer!



Wood Parts

1 x **11872** 25.4 x 88.9 x 822.3 mm (1 x 3 1/2 x 32 3/8 in)

Hardware

2 x **G9** 7.9 x 63.5 mm (5/16 x 2-1/2 in) (LW2, FW2, TN2)

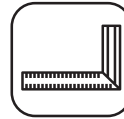
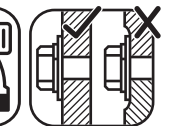
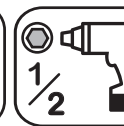


kidkraft.com

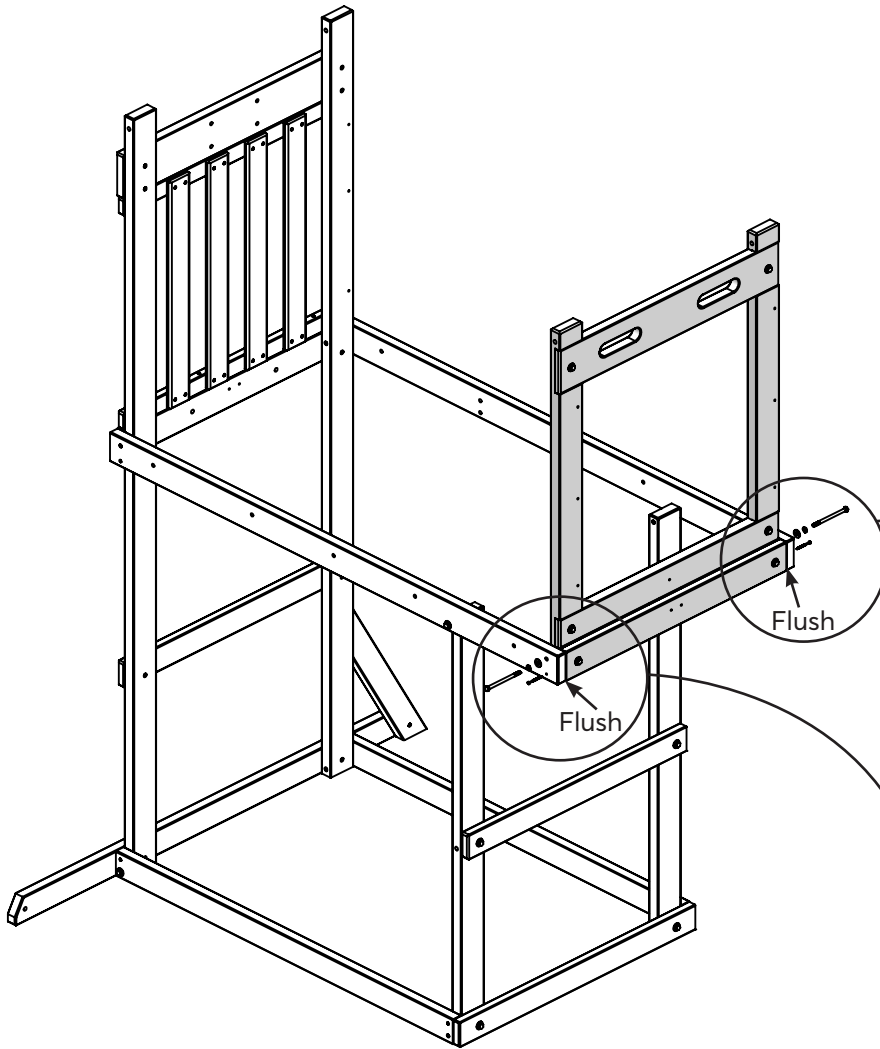
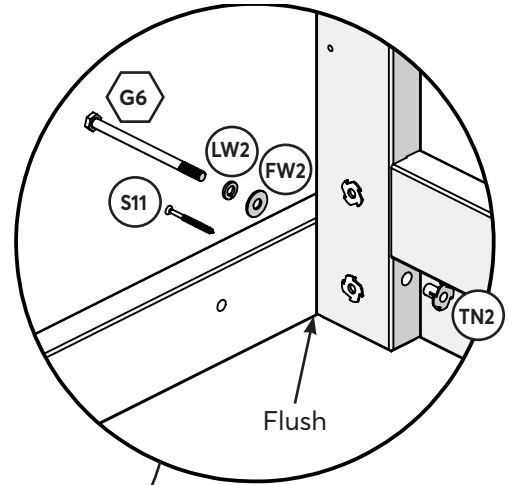
customerservice@kidkraft.com
 1.800.933.0771
 972.385.0100

13

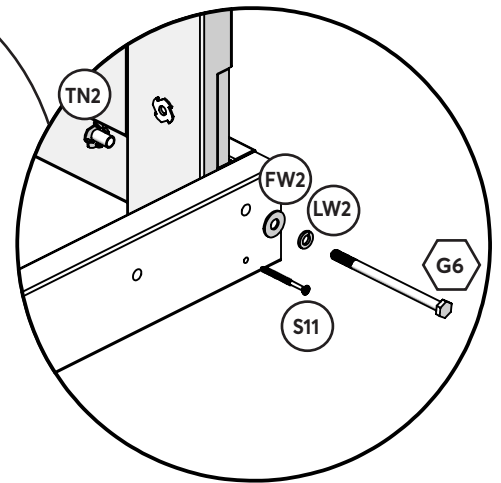
Assemble T-Nuts first with hammer!
Make sure the assembly is square.




Rotated View



Rotated View



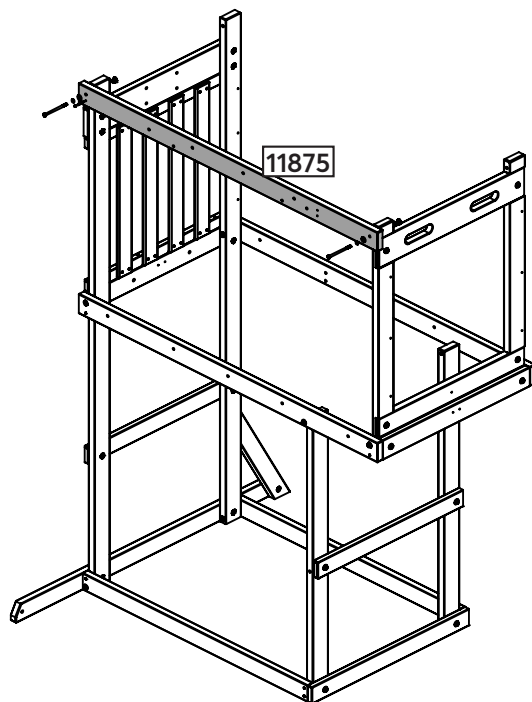
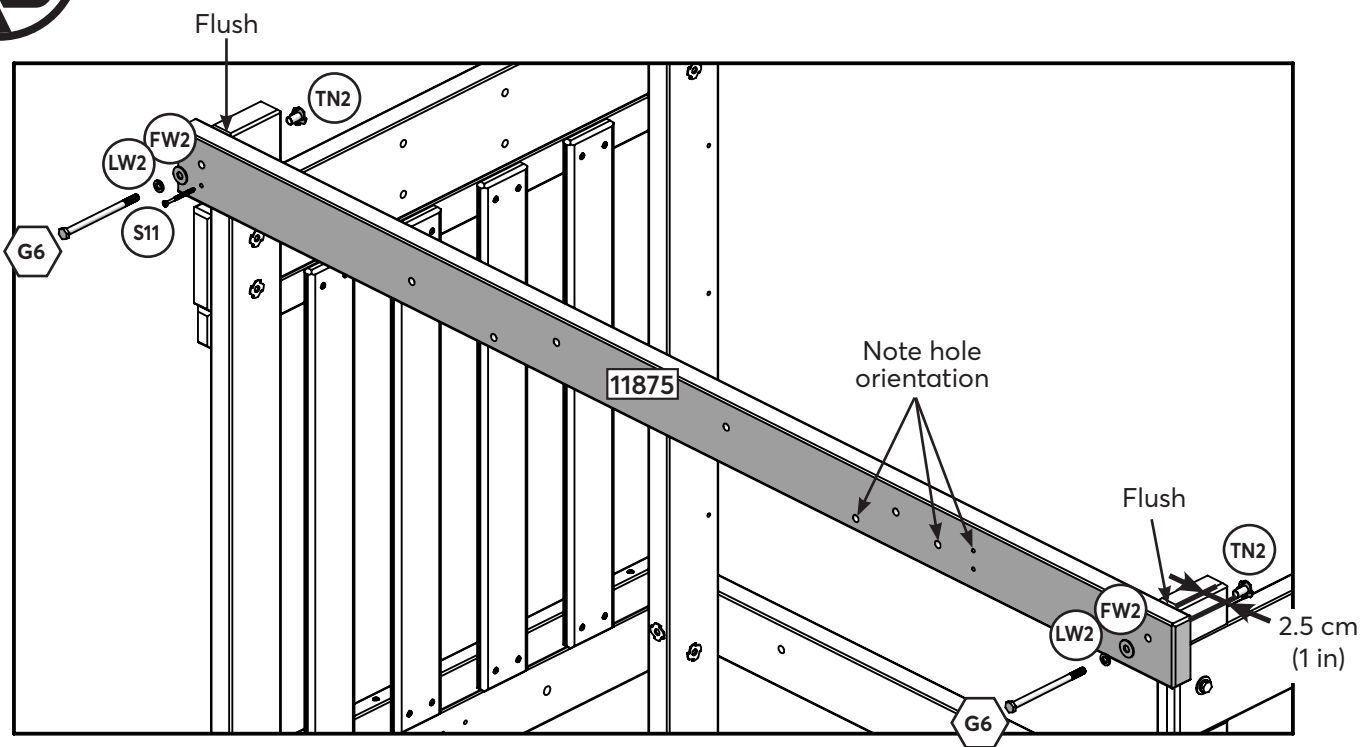
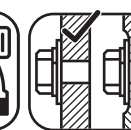
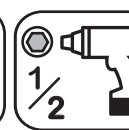
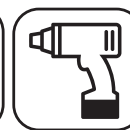
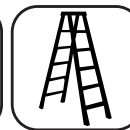
Hardware

2 x  7.9 x 120.6 mm (5/16 x 4-3/4 in) (LW2, FW2, TN2)

2 x  #8 x 50.8 mm (#8 x 2 in)

14

Assemble T-Nuts first with hammer!



Wood Parts

1 x **11875** 31.8 x 88.9 x 1679.5 mm (1 1/4 x 3 1/2 x 66 1/8 in)

Hardware

2 x **G6** 7.9 x 120.6 mm (5/16 x 4-3/4 in) (LW2, FW2, TN2)

1 x **S11** #8 x 50.8 mm (#8 x 2 in)

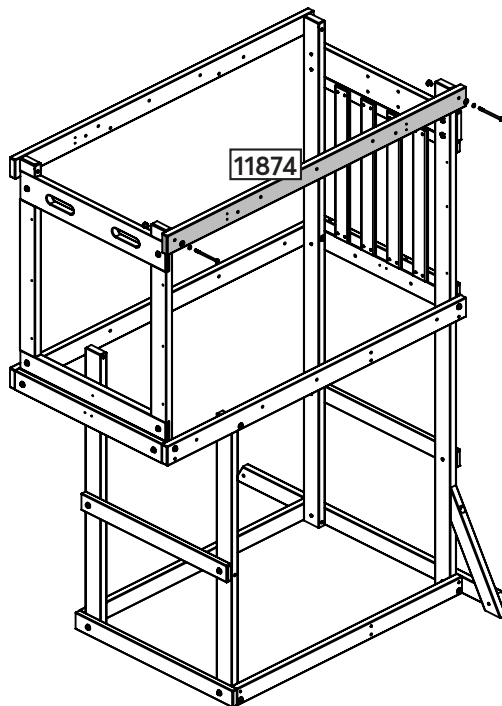
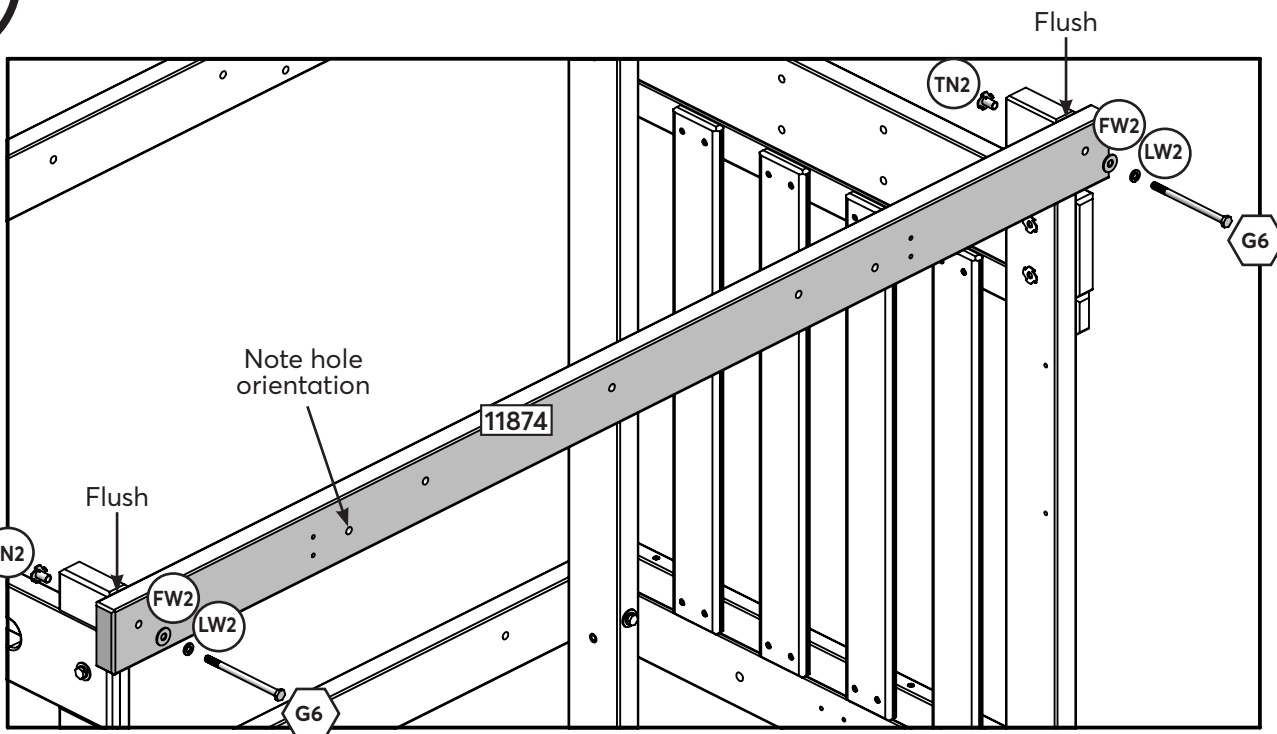


kidkraft.com

customerservice@kidkraft.com
1.800.933.0771
972.385.0100

15

Assemble T-Nuts first with hammer!



Wood Parts

1 x **11874** 31.8 x 88.9 x 1679.5 mm (1 1/4 x 3 1/2 x 66 1/8 in)

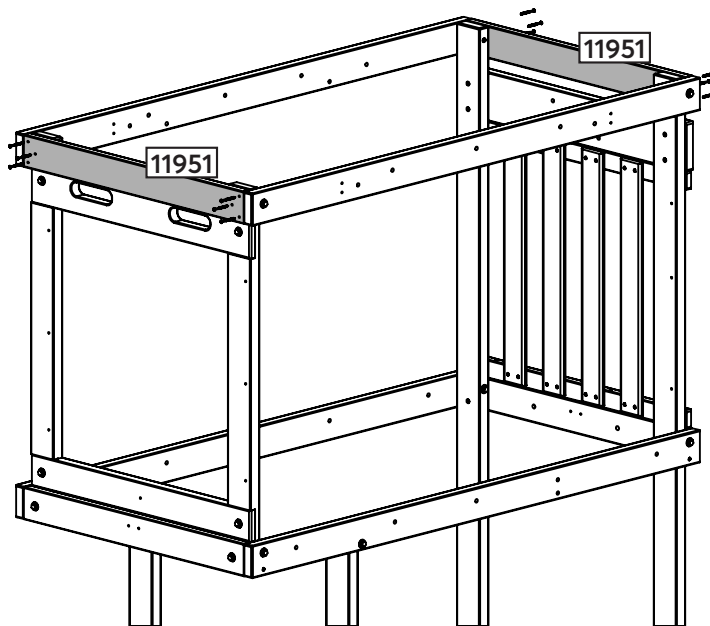
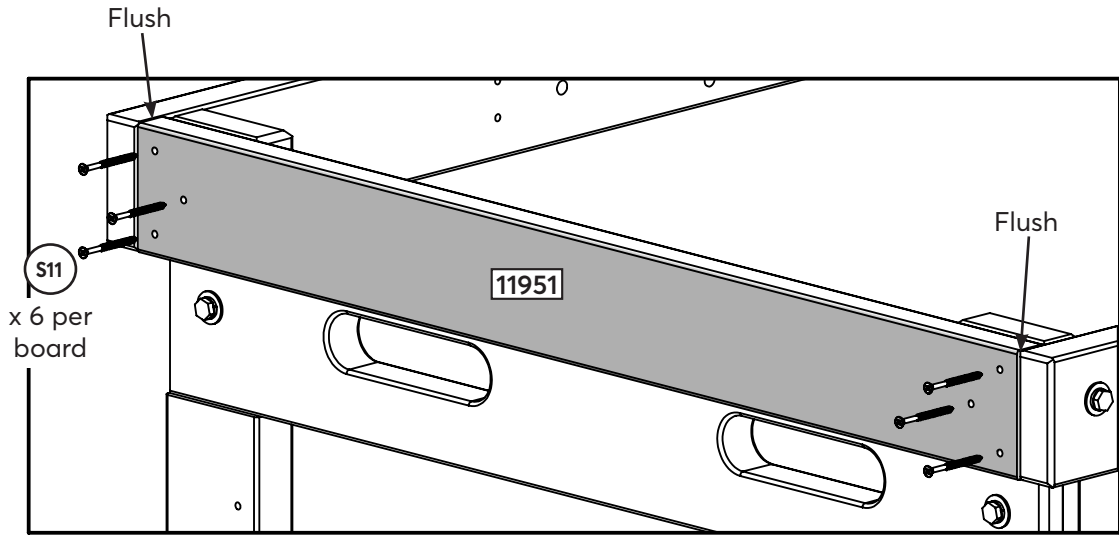
Hardware

2 x **G6** 7.9 x 120.6 mm (5/16 x 4-3/4 in) (LW2, FW2, TN2)



kidkraft.com

customerservice@kidkraft.com
1.800.933.0771
972.385.0100



Wood Parts

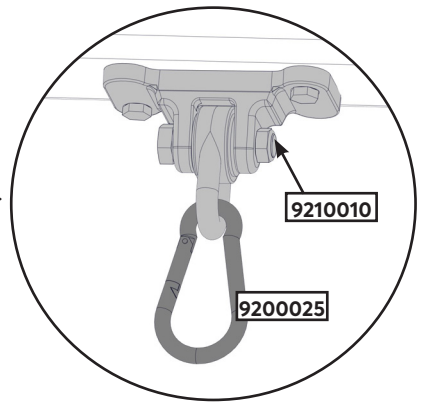
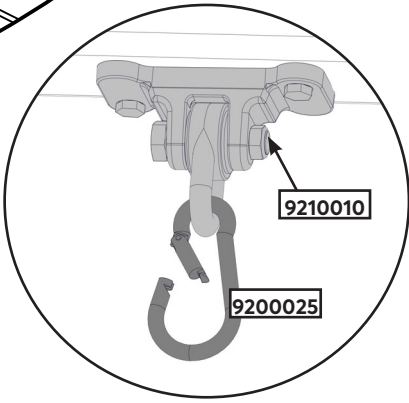
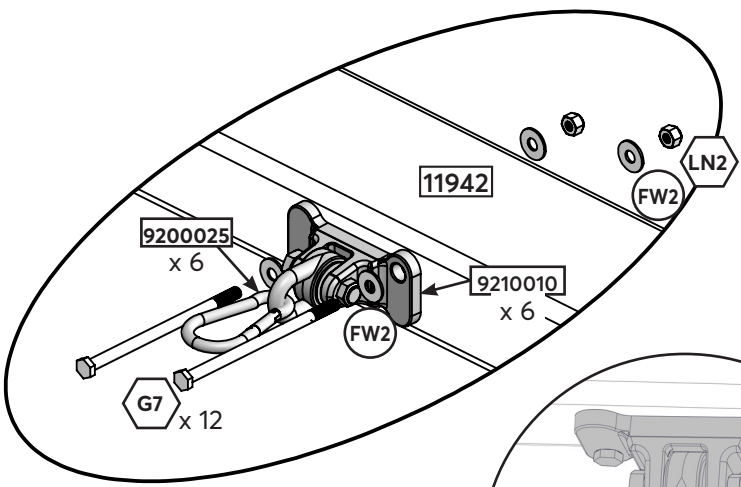
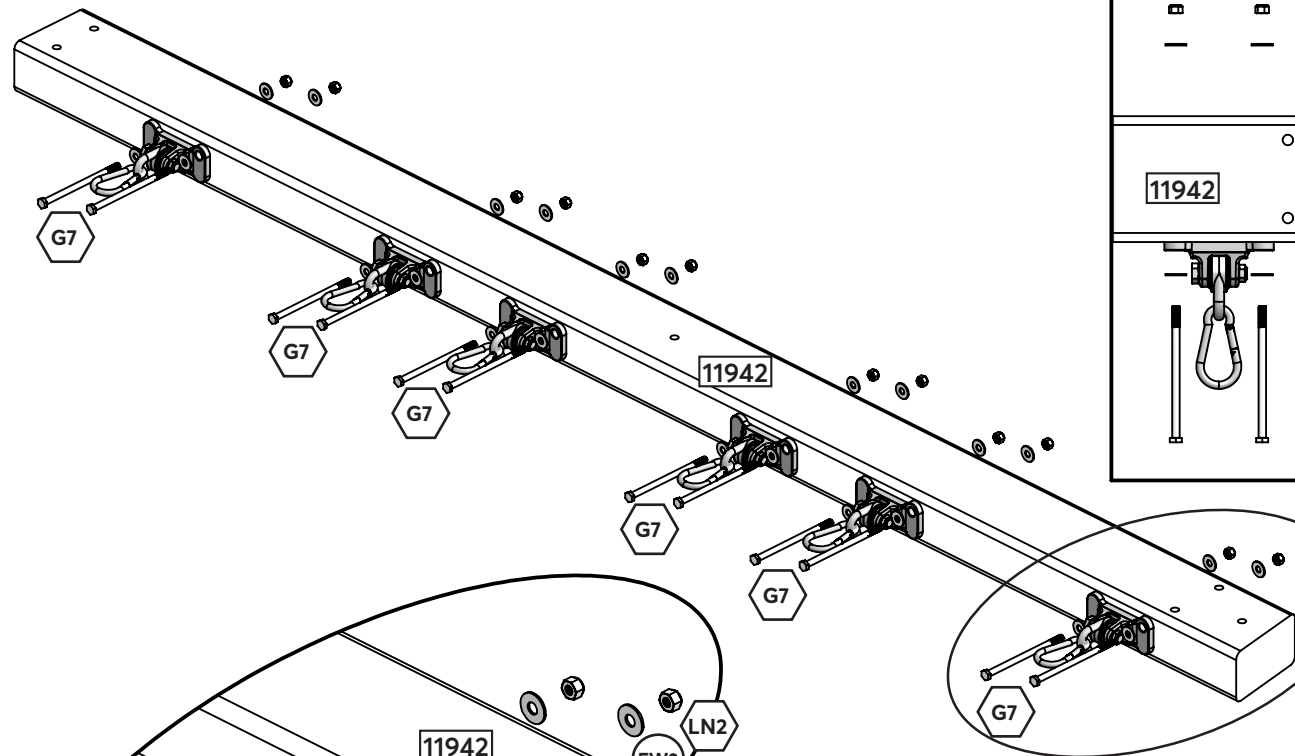
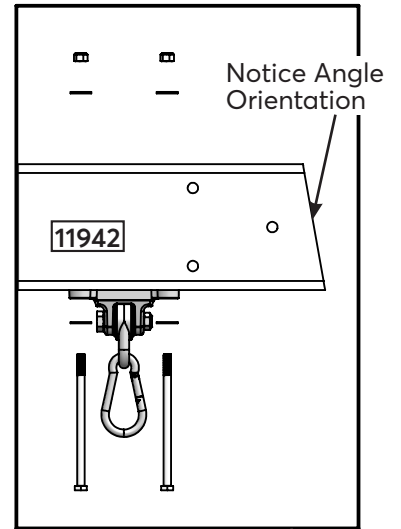
2 x 11951 25.4 x 88.9 x 819.1 mm (1 x 3 1/2 x 32 1/4 in)

Hardware

12 x S11 #8 x 50.8 mm (#8 x 2 in)



Top View



Caution: The spring-loaded Quick Link must be attached to the heavy-duty Swing Hanger in the closed position

Wood Parts

1 x 11942 76.2 x 133.4 x 2286 mm (3 x 5 1/4 x 90 in)

Hardware

12 x G7 7.9 x 139.7 mm (5/16 x 5-1/2 in) (FW2 x 2, LN2)

Other Parts

6 x 9210010

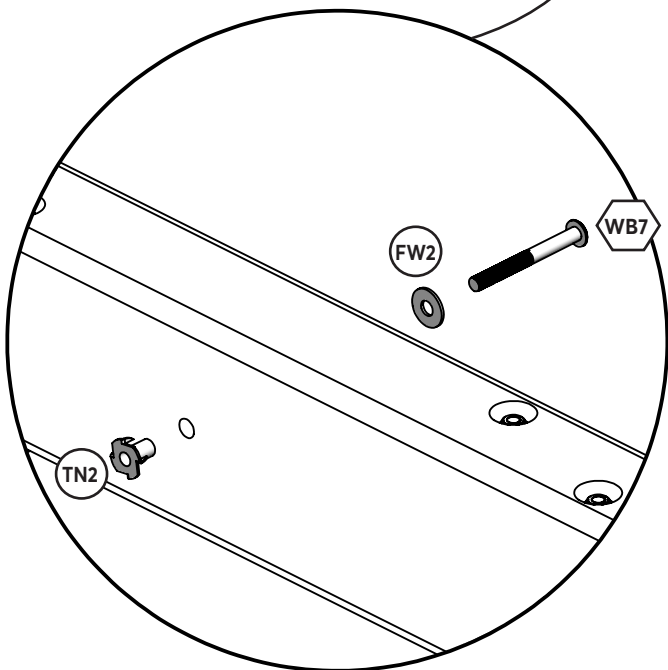
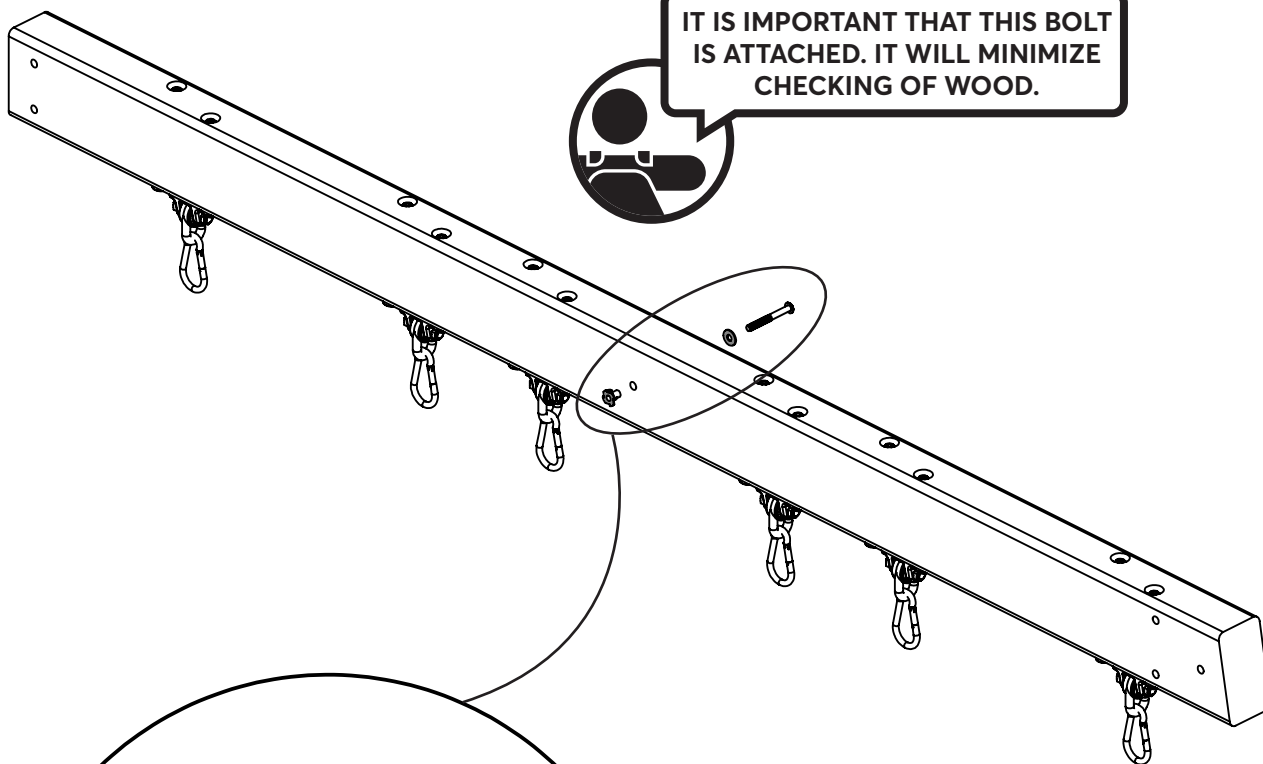
6 x 9200025

18

Assemble T-Nuts first with hammer!



IT IS IMPORTANT THAT THIS BOLT IS ATTACHED. IT WILL MINIMIZE CHECKING OF WOOD.



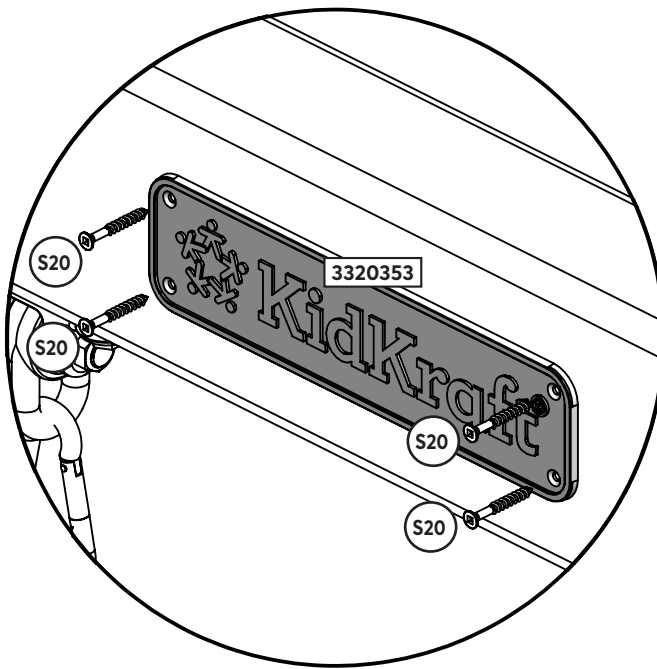
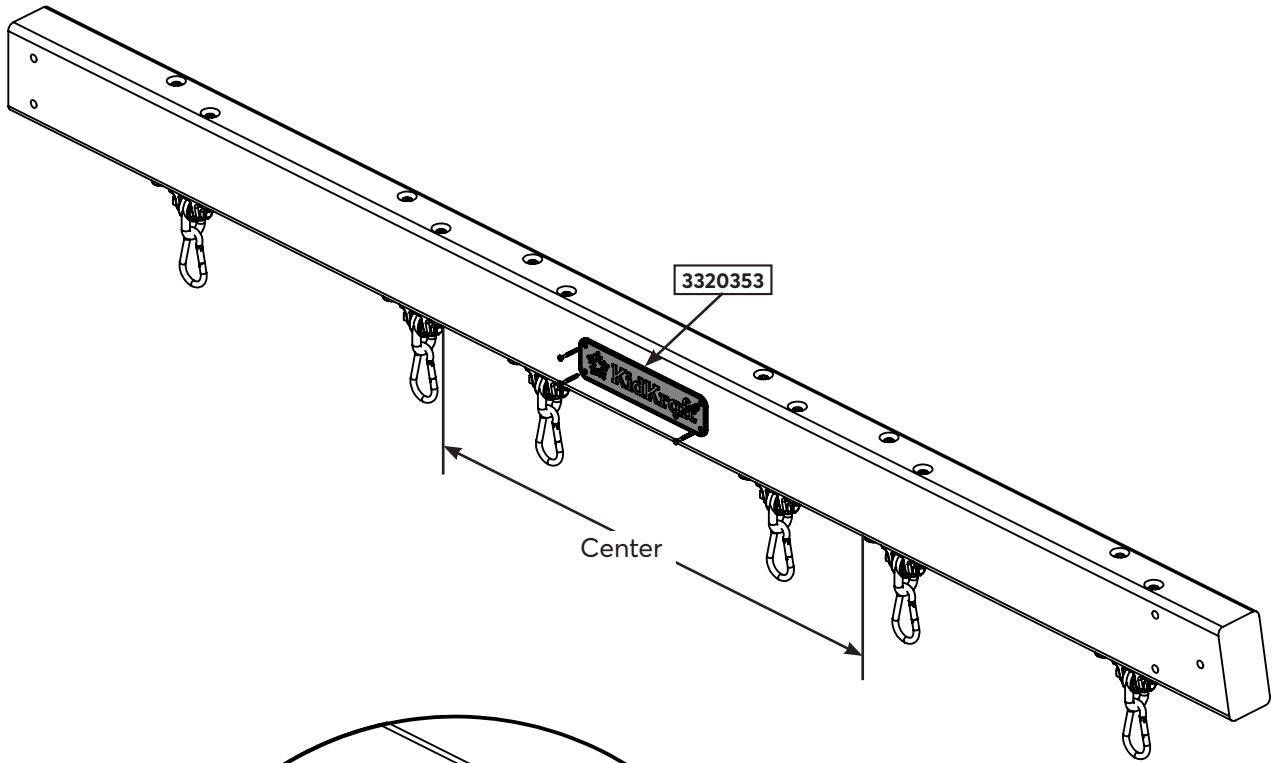
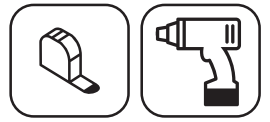
Hardware

1 x  7.9 x 76.2 mm (5/16 x3 in) (FW2, TN2)



kidkraft.com

customerservice@kidkraft.com
1.800.933.0771
972.385.0100

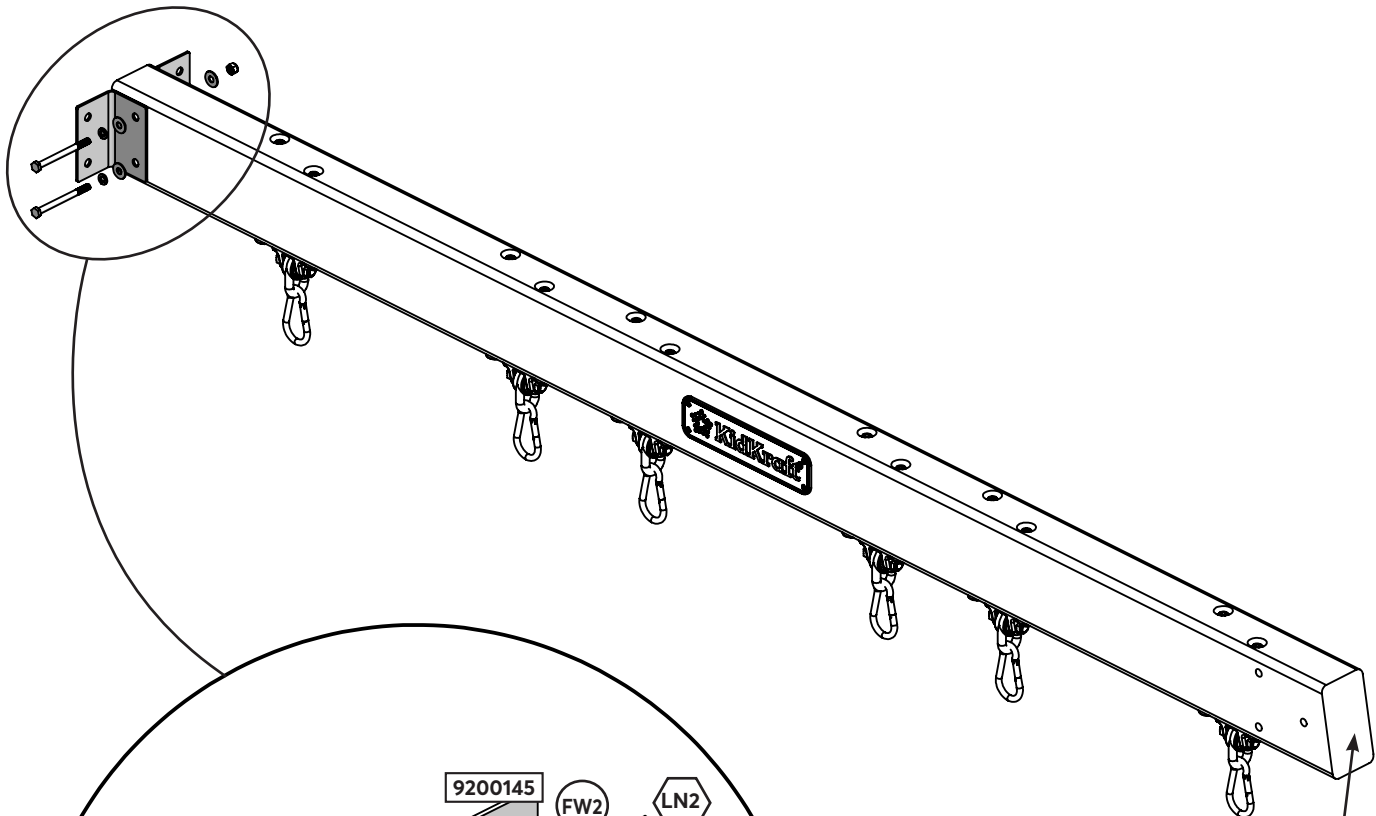


Hardware

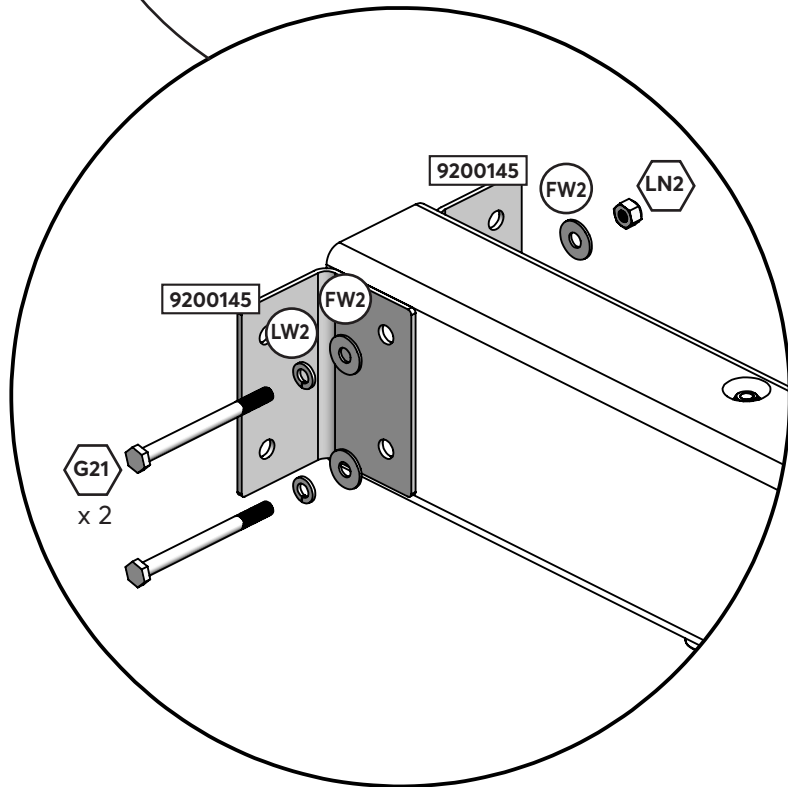
4 x (S20) #8 x 34.9 mm (#8 x 1-3/8 in)

Other Parts


1 x 3320353



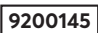
Notice Angle Orientation



Hardware

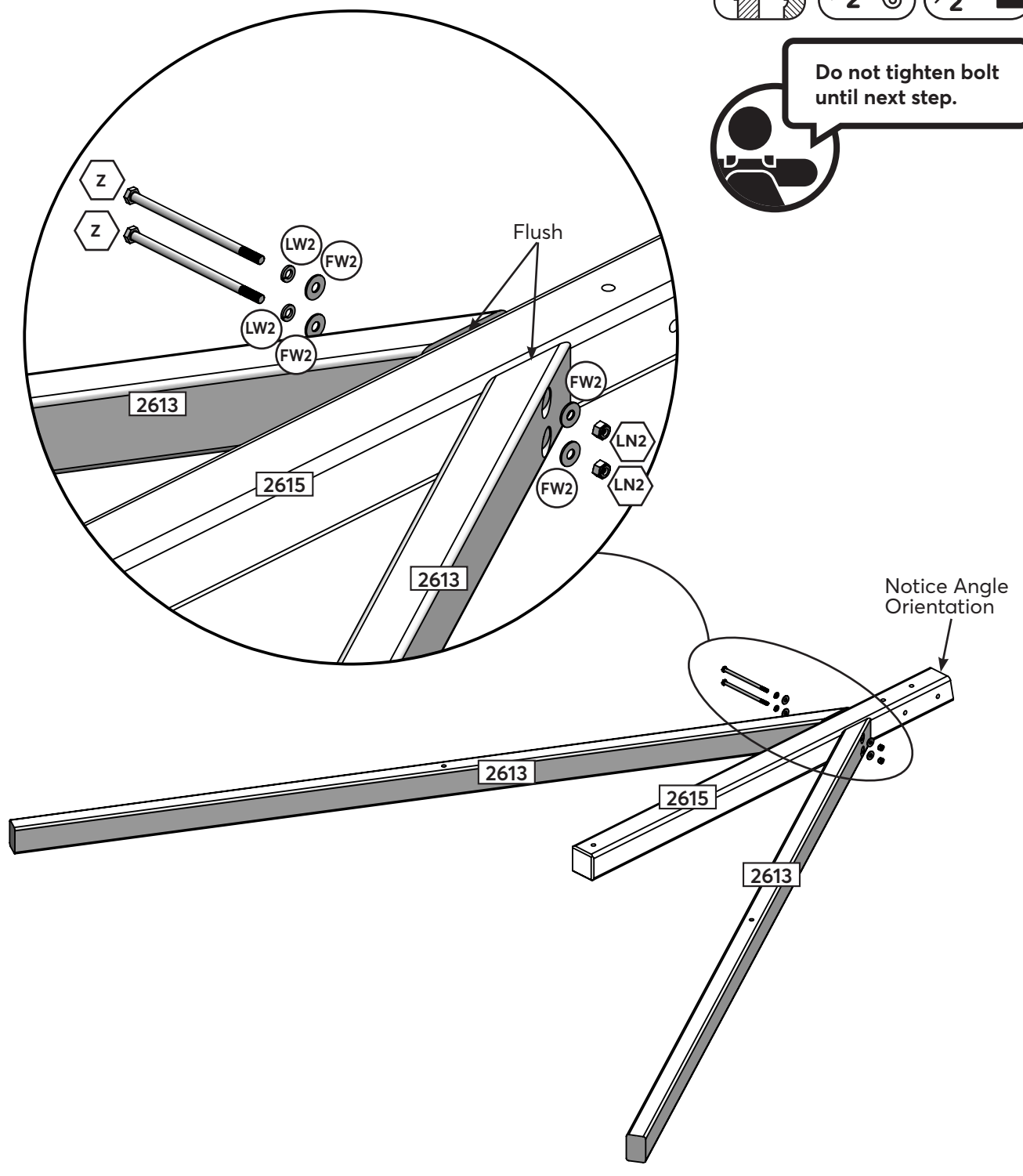
2 x  7.9 x 95.2 mm (5/16 x 3-3/4 in) (FW2 x 2, LW2, LN2)

Other Parts

2 x 



Do not tighten bolt until next step.



Wood Parts

- 2 x **2613** 50.8 x 76.2 x 2201.9 mm (2 x 3 x 86 11/16 in)
- 1 x **2615** 76.2 x 76.2 x 1294.3 mm (3 x 3 x 50 15/16 in)

Hardware

- 2 x **Z** 7.9 x 152.4 mm (5/16 x 6 in) (LW2, FW2 x 2, LN2)



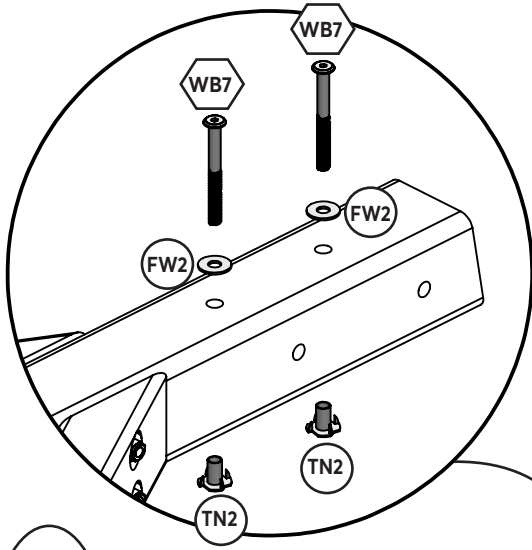
kidkraft.com

customerservice@kidkraft.com
 1.800.933.0771
 972.385.0100

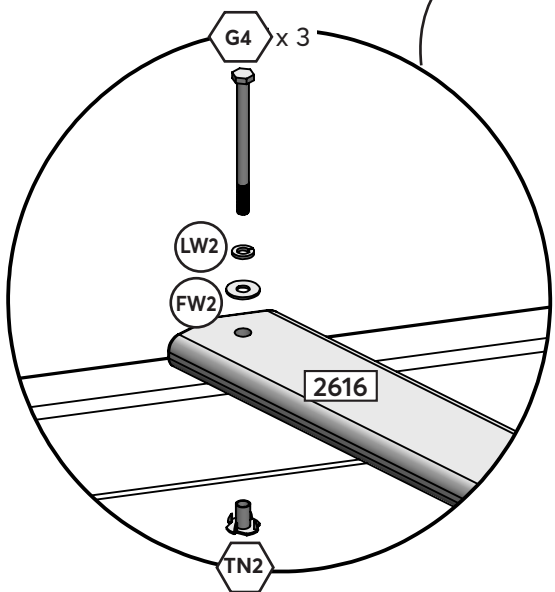
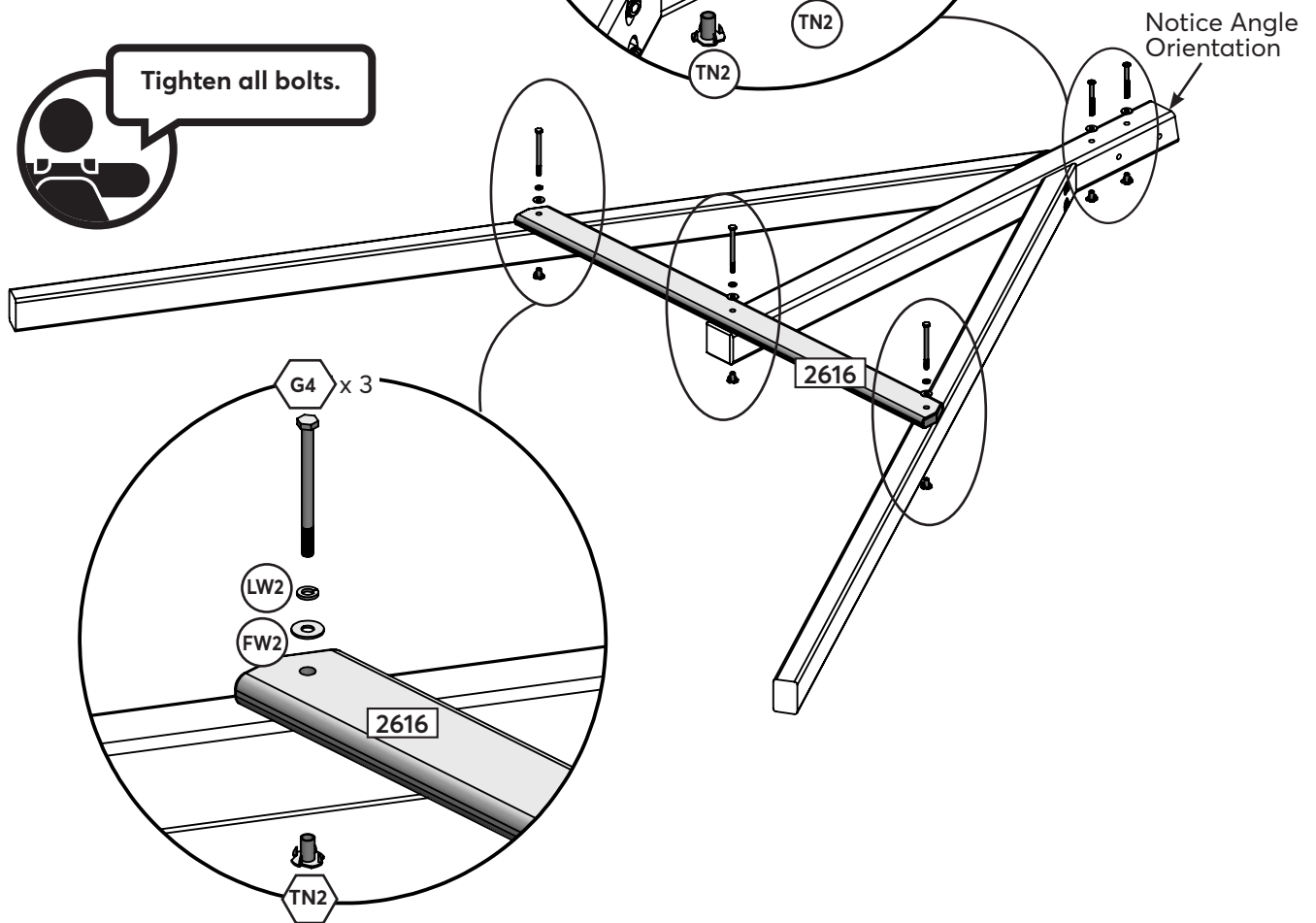
22

IT IS IMPORTANT THAT THESE BOLTS ARE ATTACHED. THEY WILL MINIMIZE CHECKING OF WOOD.

Assemble T-Nuts first with hammer!



Tighten all bolts.



Wood Parts

1 x 2616 23.8 x 82.6 x 1181.1 mm (15/16 x 3 1/4 x 46 1/2 in)

Hardware

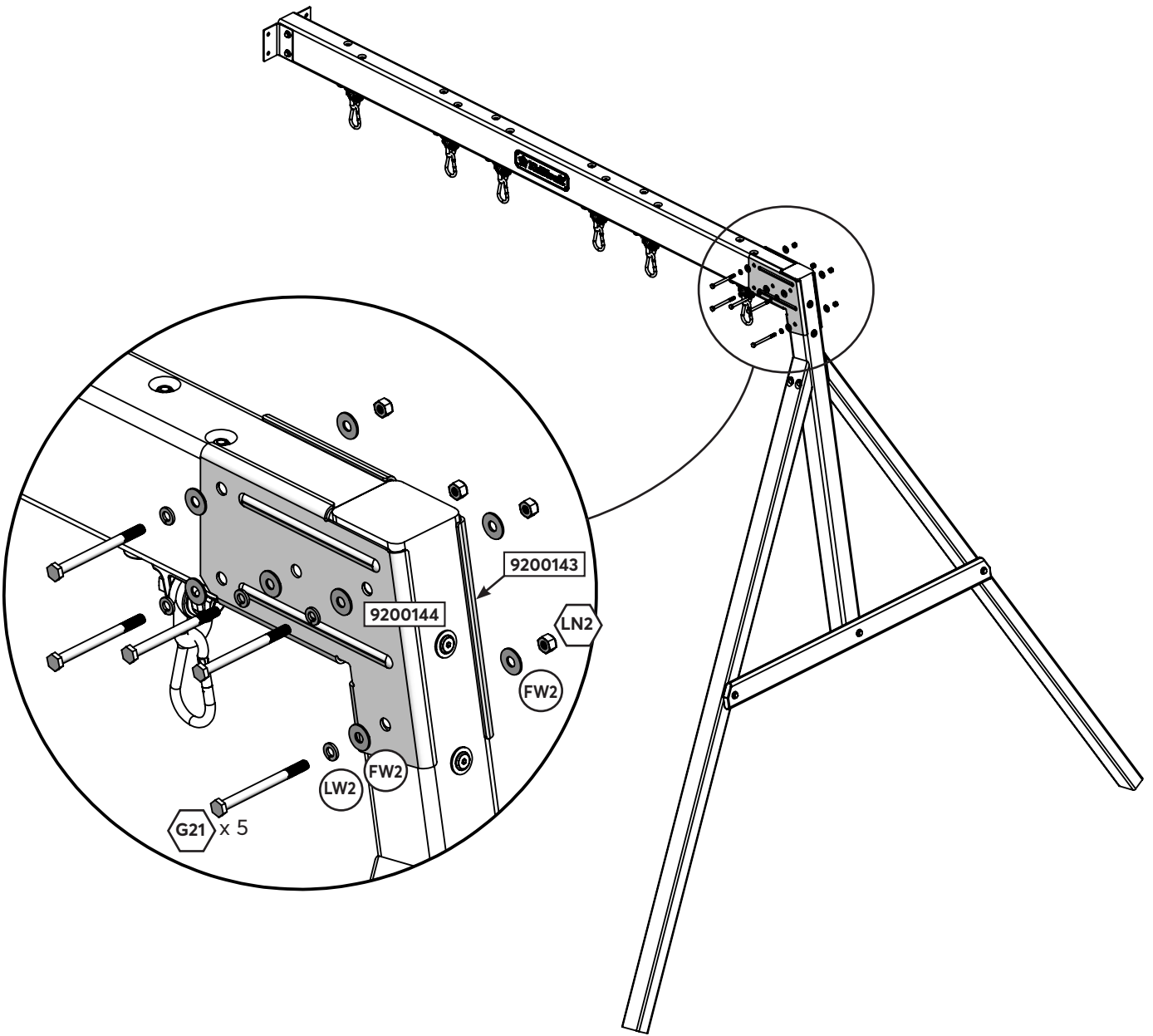
3 x G4 7.9 x 101.5 mm (5/16 x 4 in) (LW2, FW2, TN2)

2 x WB7 7.9 x 76.2 mm (5/16 x 3 in) (FW2, TN2)



kidkraft.com

customerservice@kidkraft.com
1.800.933.0771
972.385.0100



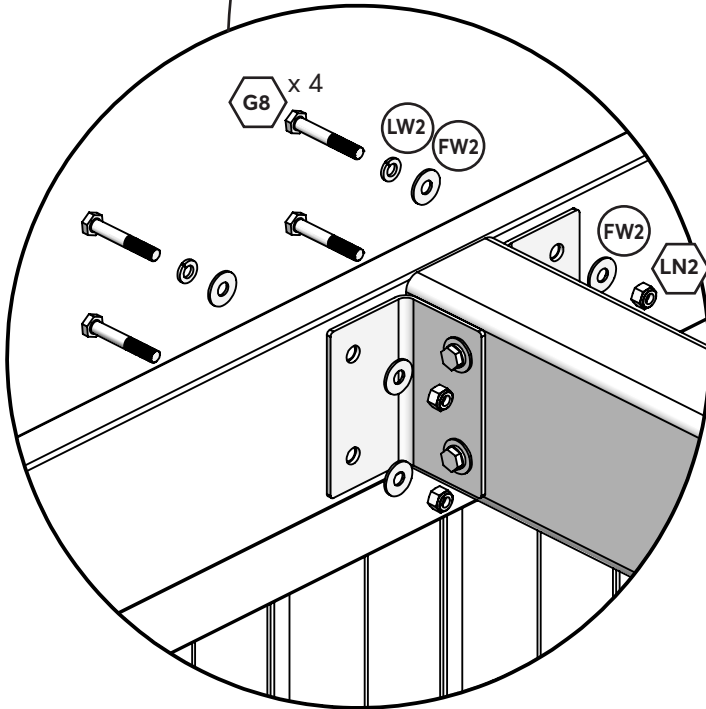
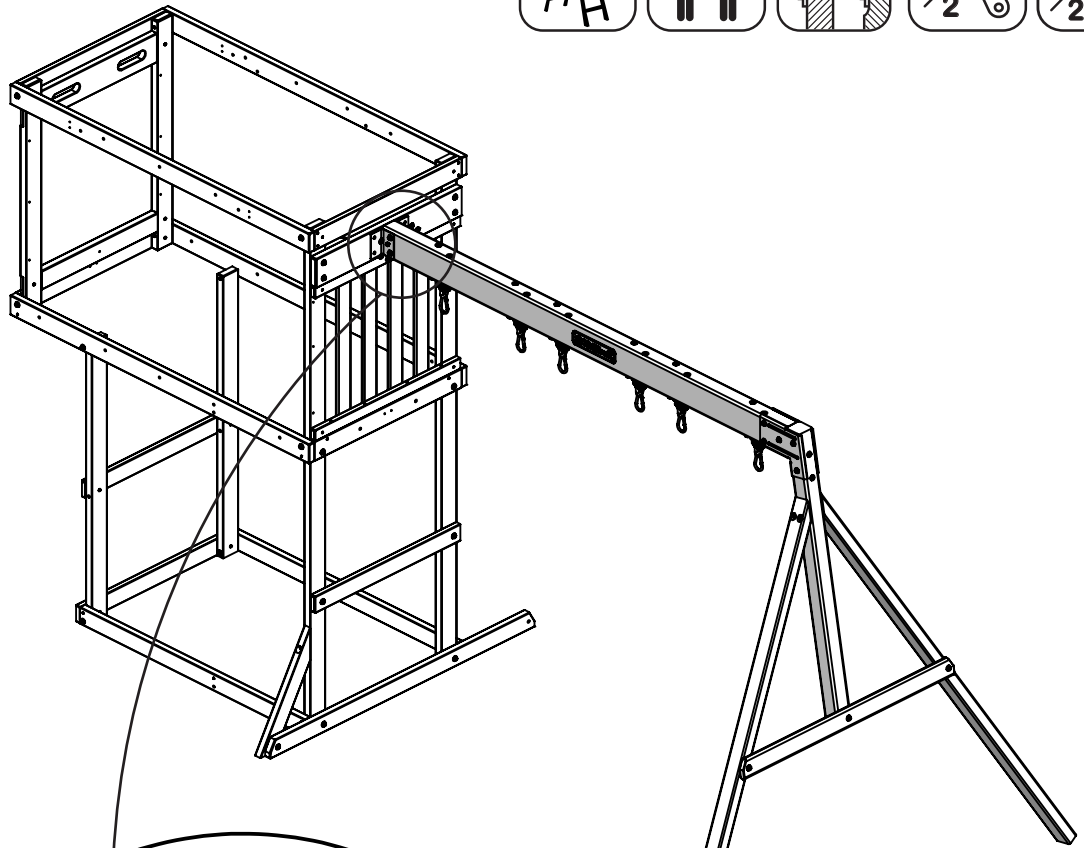
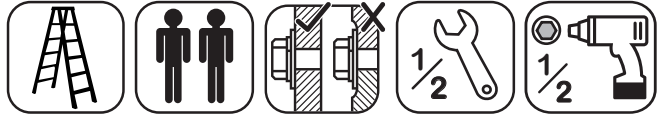
Hardware

5 x 7.9 x 95.2 mm (5/16 x 3-3/4 in) (FW2 x 2, LW2, LN2)


Other Parts

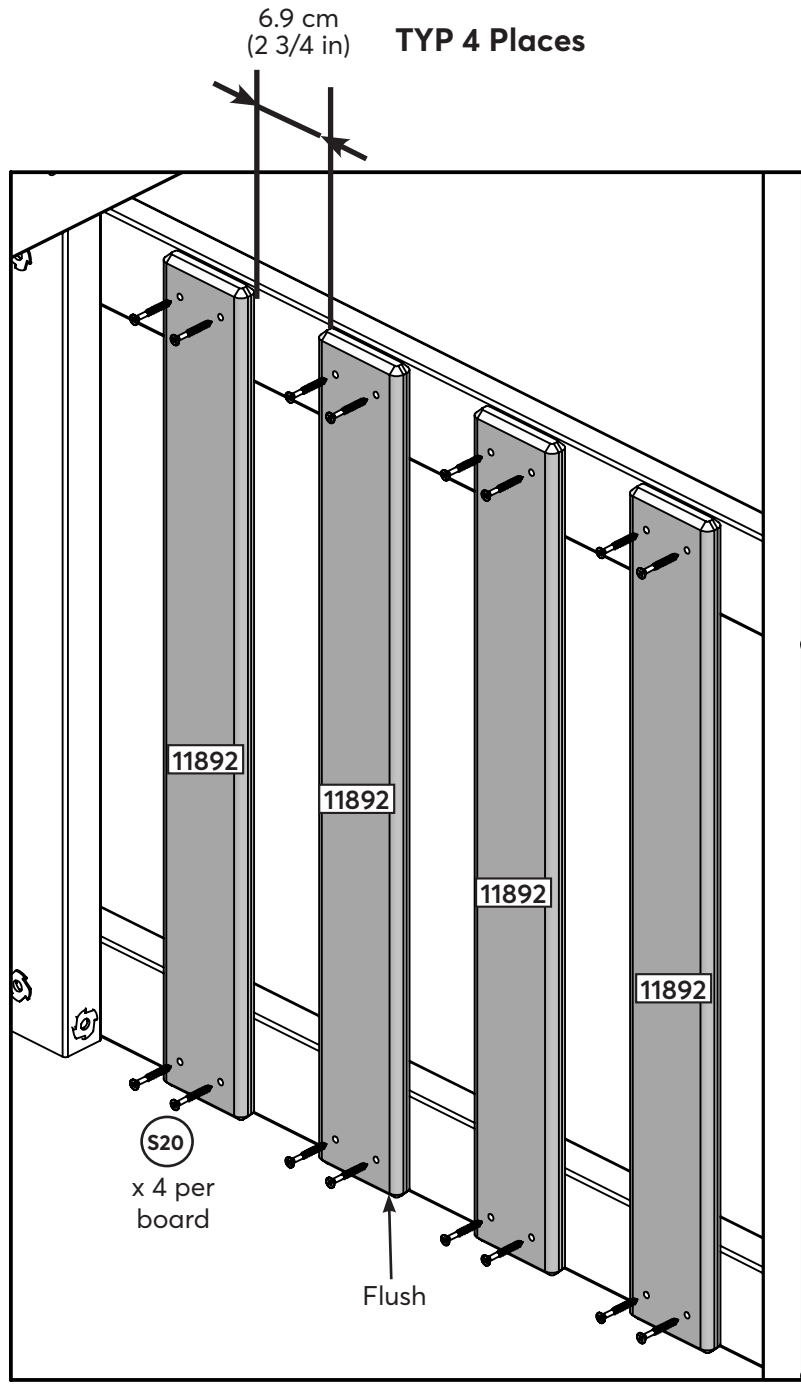
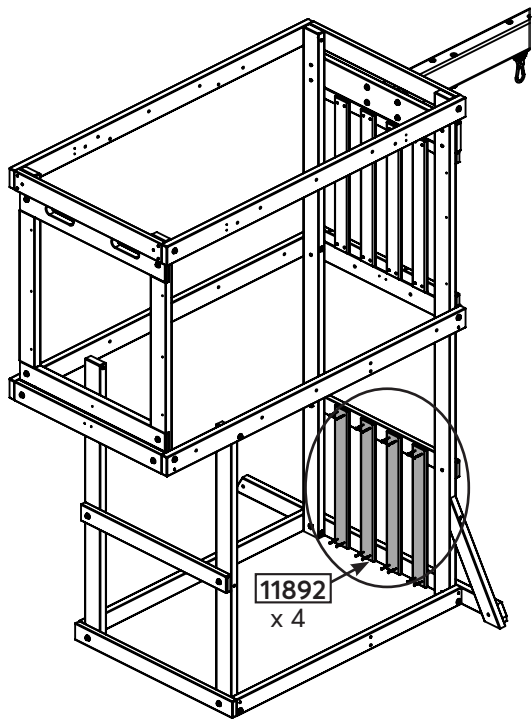
1 x 9200144

1 x 9200143



Hardware

4 x  7.9 x 50.8 mm (5/16 x 2 in) (FW2 x 2, LW2, LN2)



Wood Parts

4 x 11892 15.9 x 76.2 x 631.8 mm (5/8 x 3 x 24 7/8 in)

Hardware

16 x S20 #8 x 34.9 mm (#8 x 1-3/8 in)

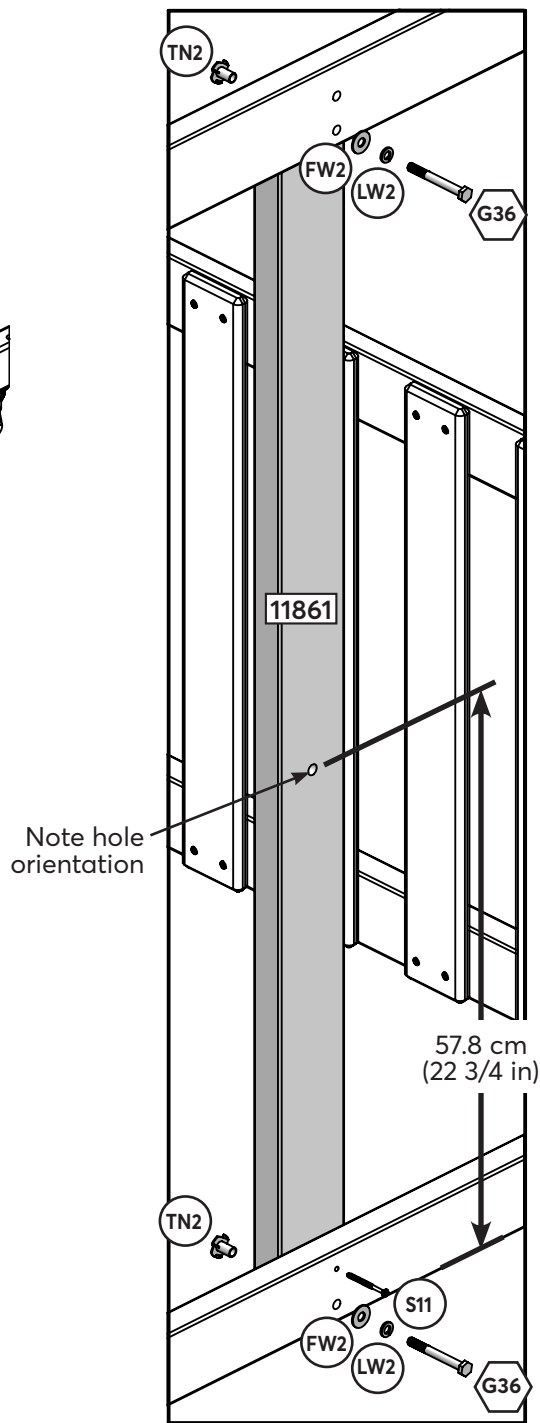
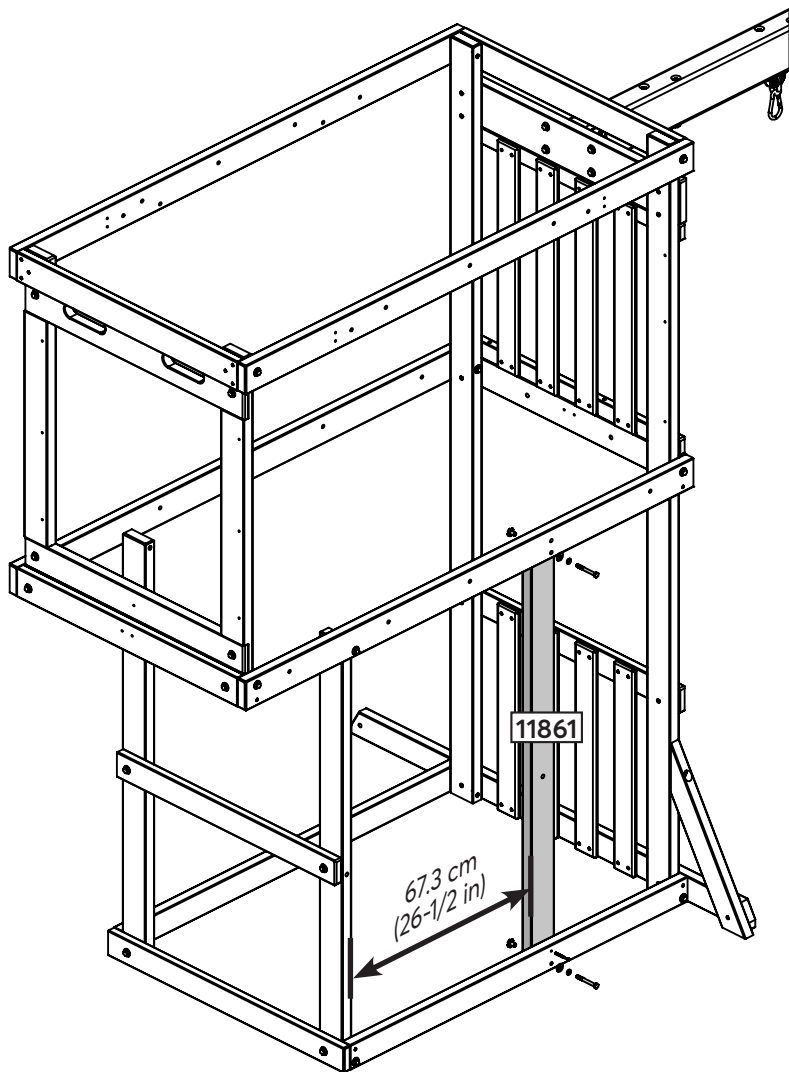


kidkraft.com

customerservice@kidkraft.com
1.800.933.0771
972.385.0100

26

Assemble T-Nuts first with hammer!



Wood Parts

1 x 11861 34.9 x 85.7 x 1292.2 mm (1 3/8 x 3 3/8 x 50 7/8 in)

Hardware

2 x G36 7.9 x 69.9 mm (5/16 x 2-3/4 in) (LW2, FW2, TN2)

1 x S11 #8 x 50.8 mm (#8 x 2 in)

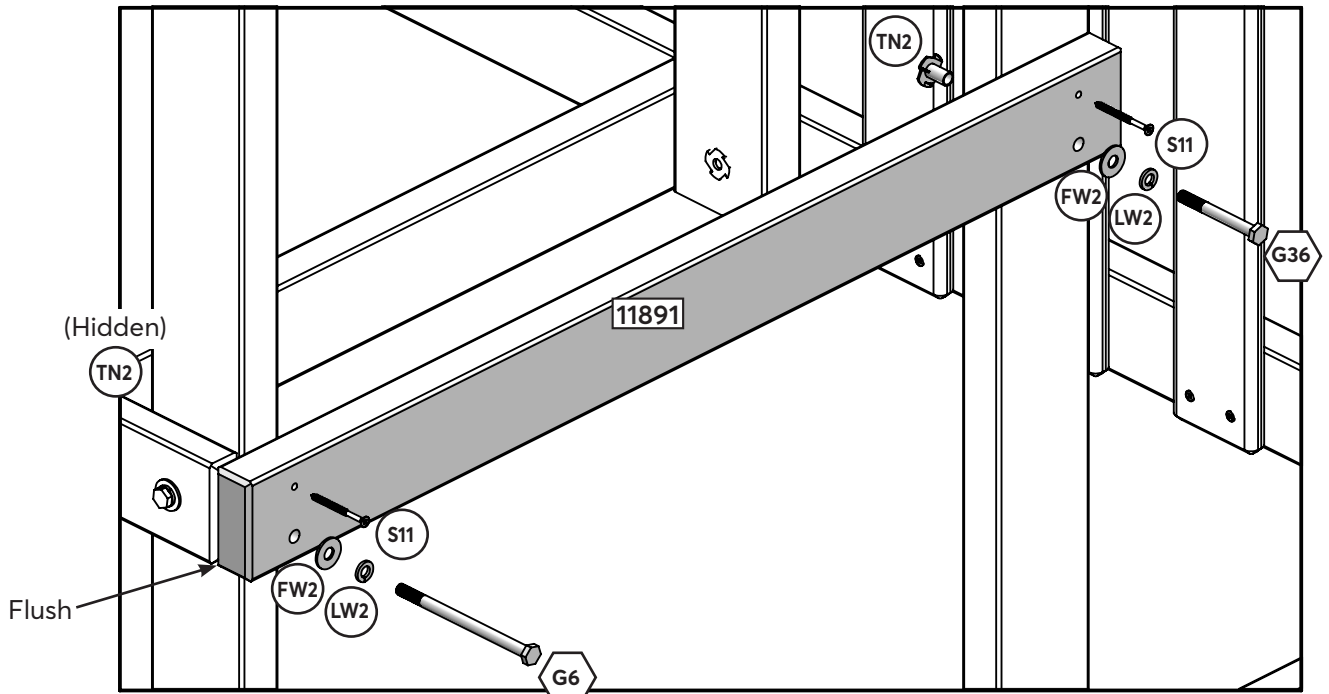
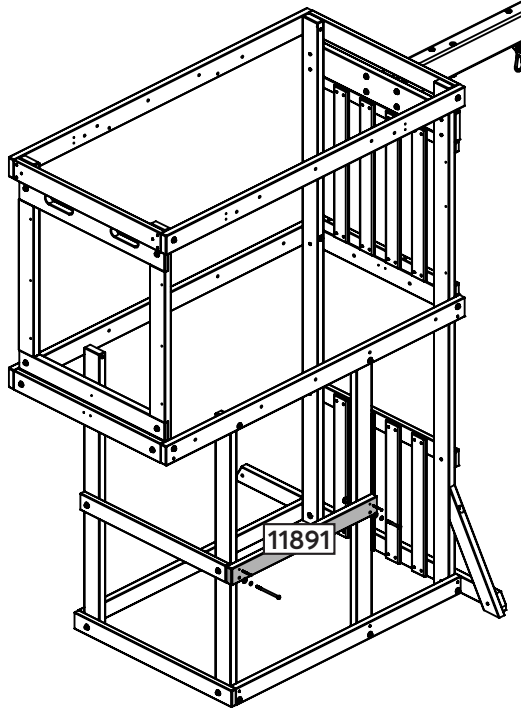
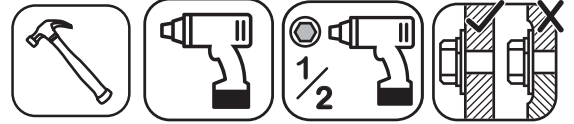


kidkraft.com

customerservice@kidkraft.com
1.800.933.0771
972.385.0100

27

Assemble T-Nuts first with hammer!



Wood Parts

1 x **11891** 31.8 x 76.2 x 819.1 mm (1 1/4 x 3 x 32 1/4 in)

Hardware

1 x **G6** 7.9 x 120.6 mm (5/16 x 4-3/4 in) (LW2, FW2, TN2)

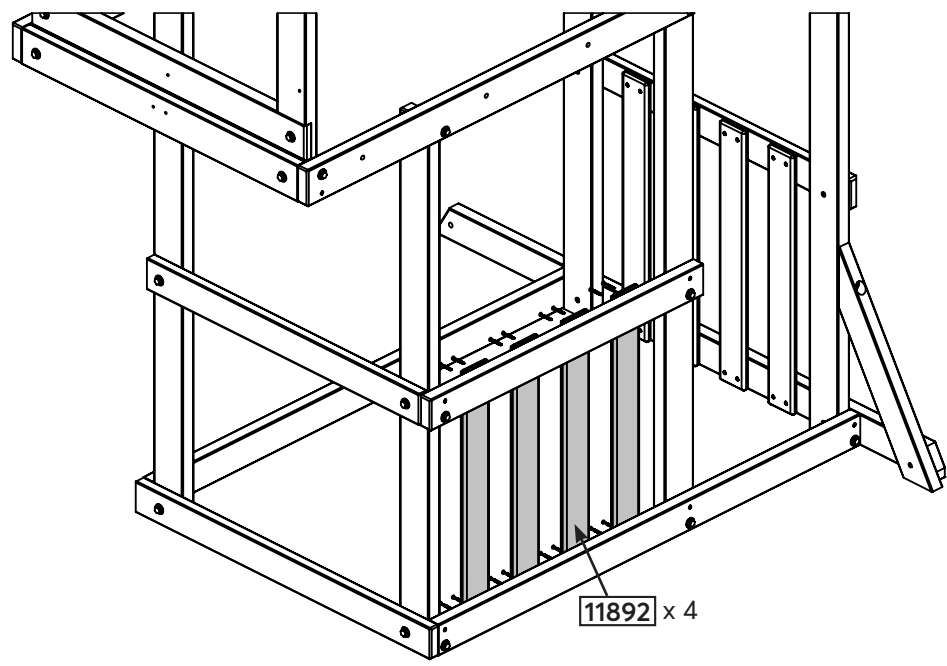
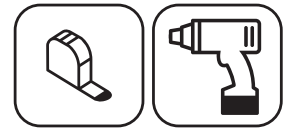
1 x **G36** 7.9 x 69.9 mm (5/16 x 2-3/4 in) (LW2, FW2, TN2)

2 x **S11** #8 x 50.8 mm (#8 x 2 in)

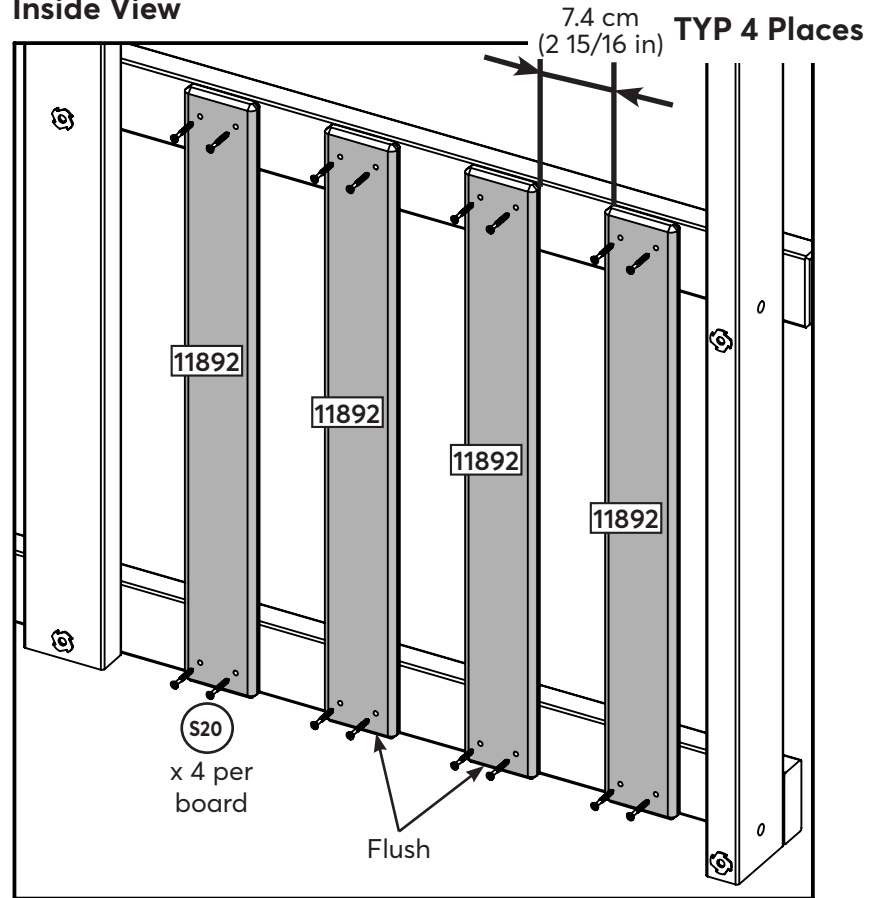


kidkraft.com

customerservice@kidkraft.com
1.800.933.0771
972.385.0100



Inside View



Wood Parts

4 x 11892 15.9 x 76.2 x 631.8 mm (5/8 x 3 x 24 7/8 in)

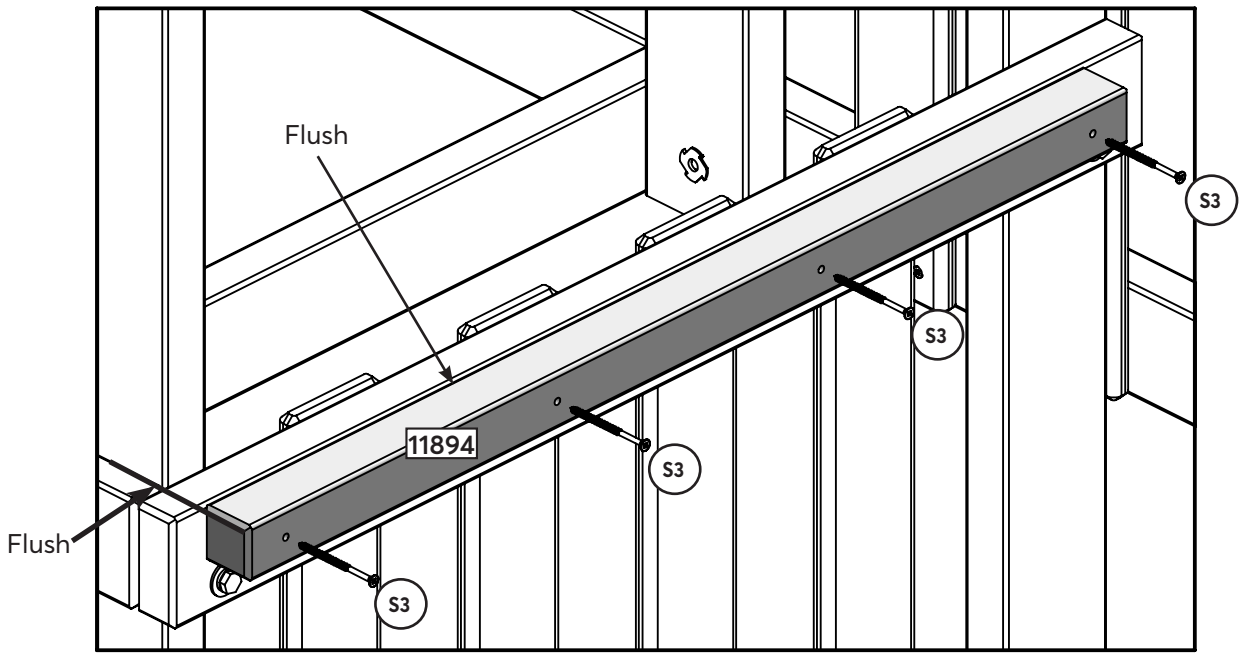
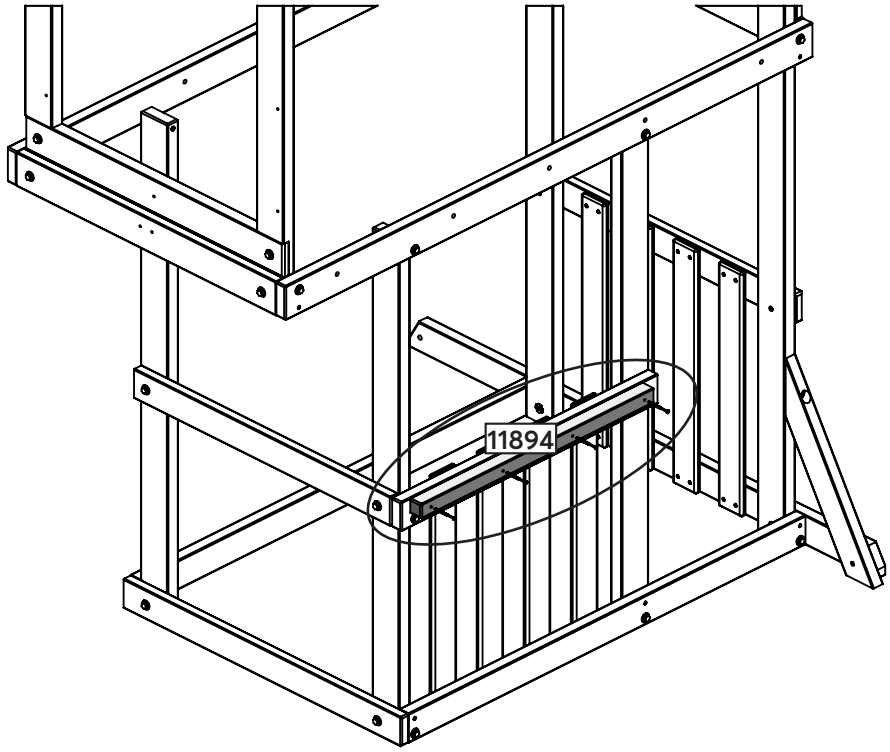
Hardware

16 x S20 #8 x 34.9 mm (#8 x 1-3/8 in)



kidkraft.com

customerservice@kidkraft.com
1.800.933.0771
972.385.0100



Wood Parts

1 x 11894 38.1 x 38.1 x 743 mm (1 1/2 x 1 1/2 x 29 1/4 in)

Hardware

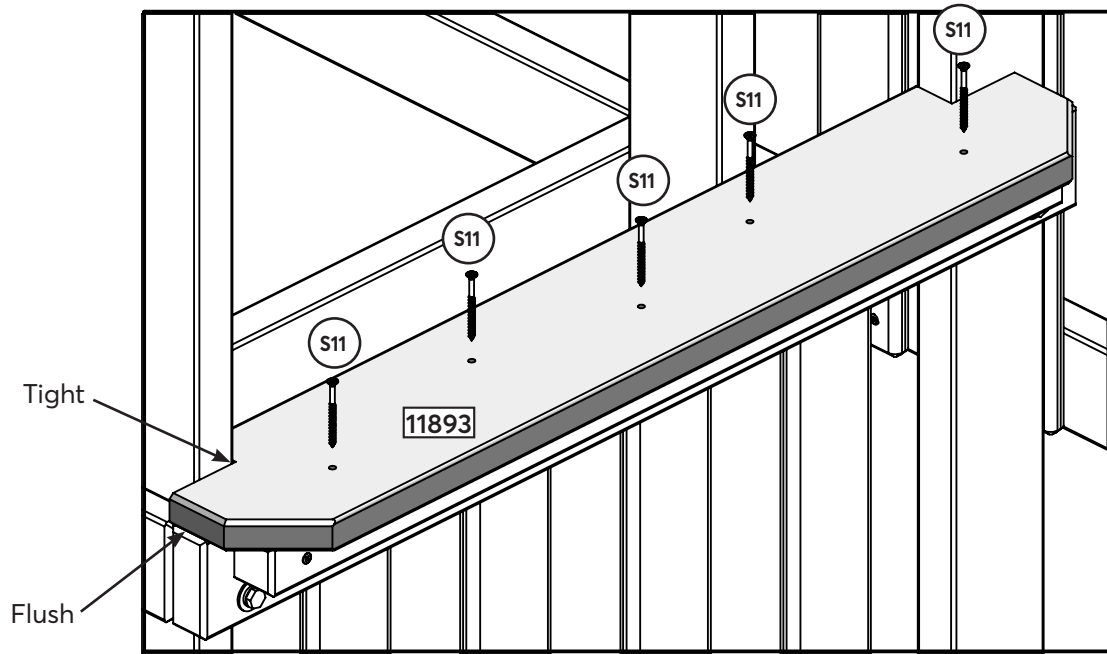
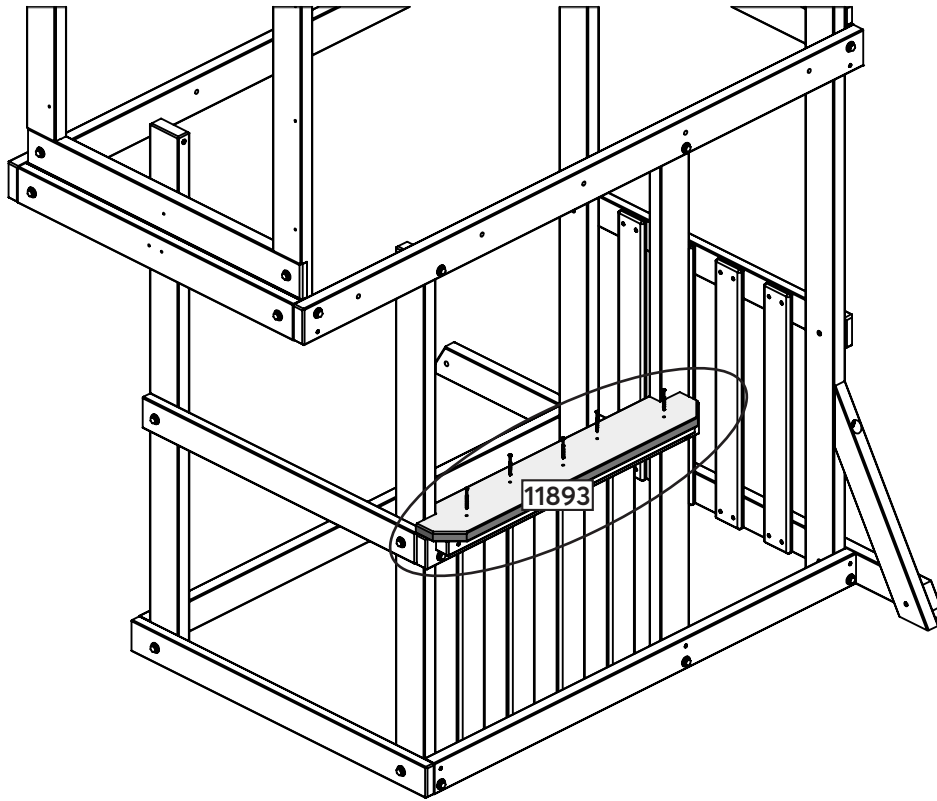
4 x S3 #8 x 63.5 mm (#8 x 2-1/2 in)



kidkraft.com

customerservice@kidkraft.com
1.800.933.0771
972.385.0100

30



Wood Parts

1 x 11893 23.8 x 136.5 x 793.7 mm (15/16 x 5 3/8 x 31 1/4 in)

Hardware

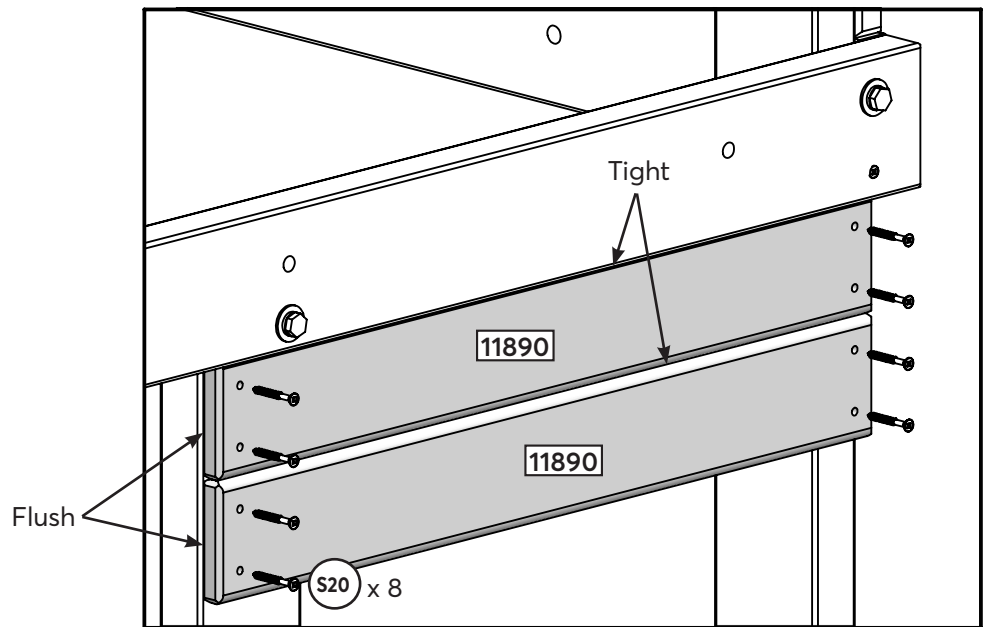
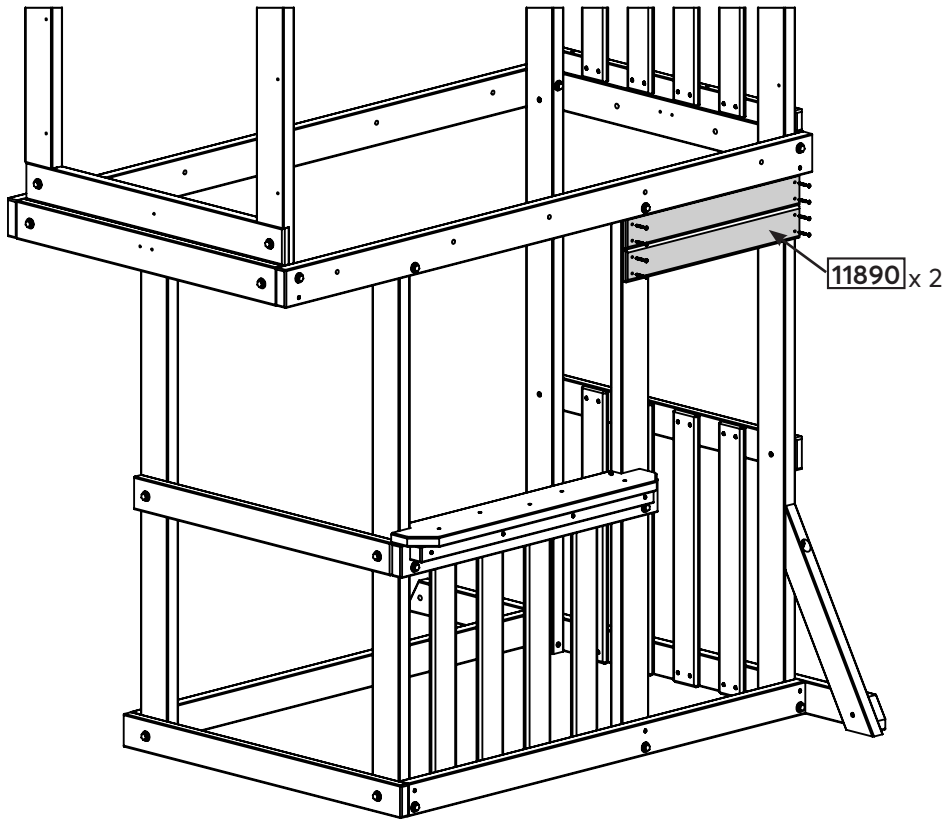
5 x S11 #8 x 50.8 mm (#8 x 2 in)



kidkraft.com

customerservice@kidkraft.com
1.800.933.0771
972.385.0100

31



Wood Parts

2 x 11890 15.9 x 76.2 x 552.4 mm (5/8 x 3 x 21 3/4 in)

Hardware

8 x S20 #8 x 34.9 mm (#8 x 1-3/8 in)

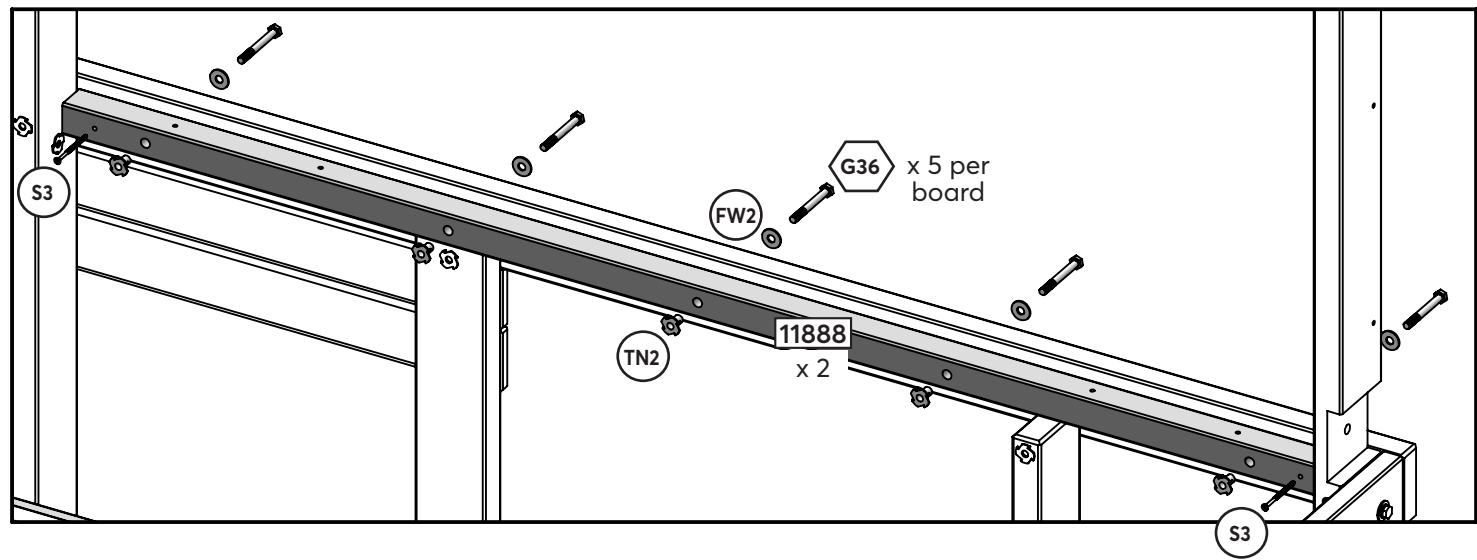
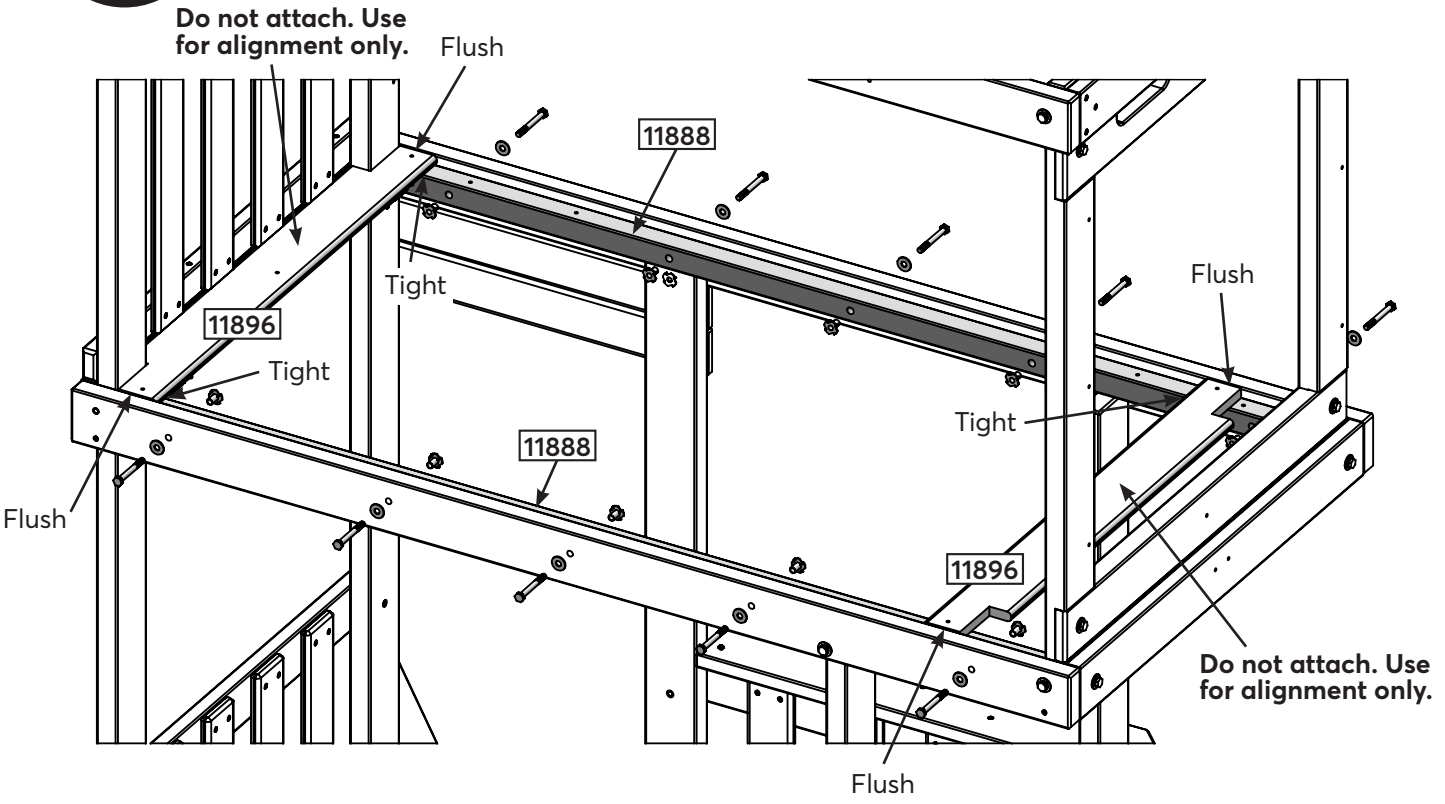


kidkraft.com

customerservice@kidkraft.com
1.800.933.0771
972.385.0100

32

Assemble T-Nuts first with hammer!



Wood Parts
 2 x 11888 38.1 x 38.1 x 1552.6 mm (1 1/2 x 1 1/2 x 61 1/8 in)

Hardware
 10 x G36 7.9 x 69.9 mm (5/16 x 2-3/4 in) (FW2, TN2)
 4 x S3 #8 x 63.5 mm (#8 x 2-1/2 in)

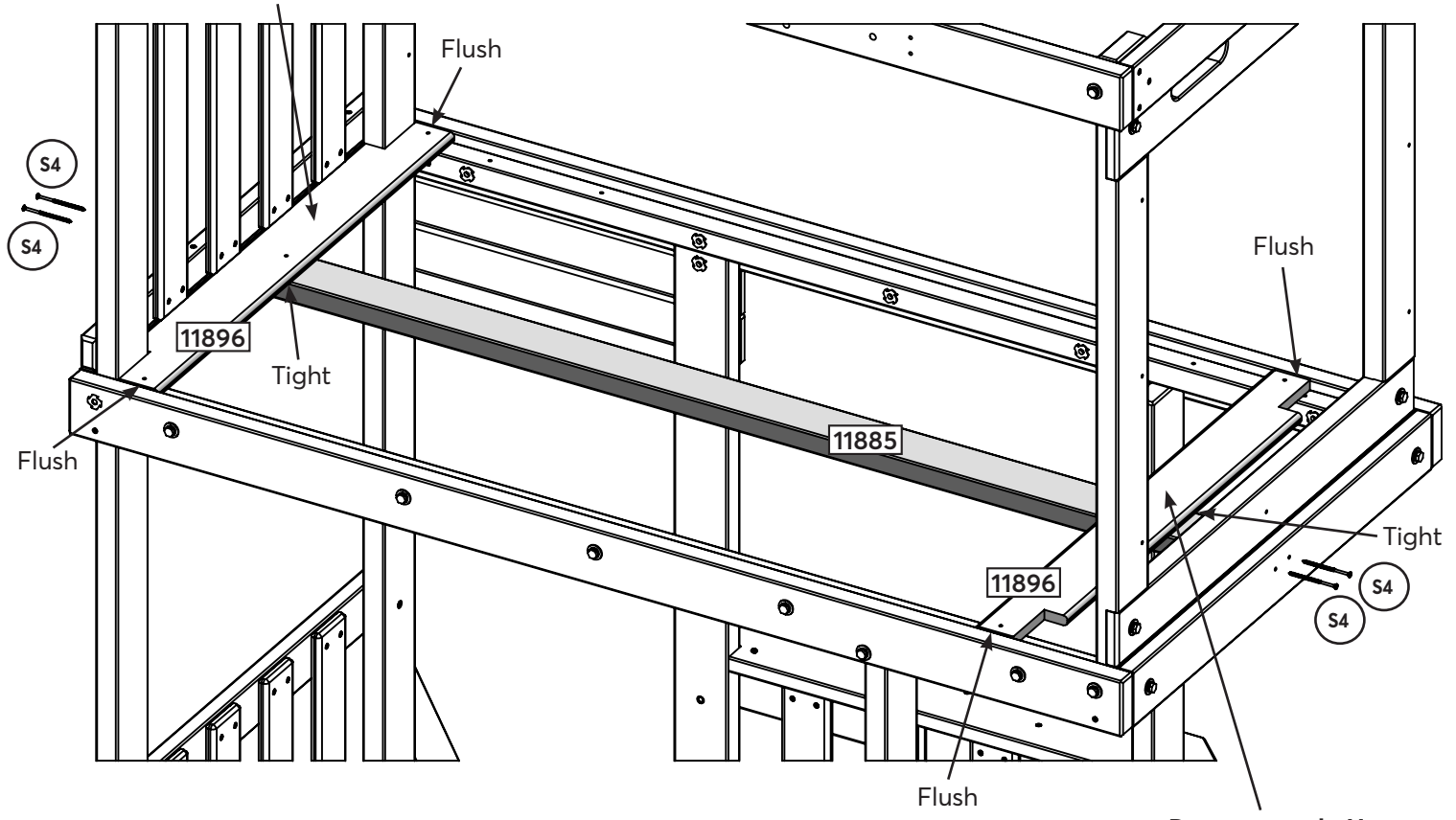


kidkraft.com

customerservice@kidkraft.com
 1.800.933.0771
 972.385.0100



Do not attach. Use for alignment only.



Do not attach. Use for alignment only.

Wood Parts

1 x **11885** 31.8 x 76.2 x 1628.7 mm (1 1/4 x 3 x 64 1/8 in)

Hardware

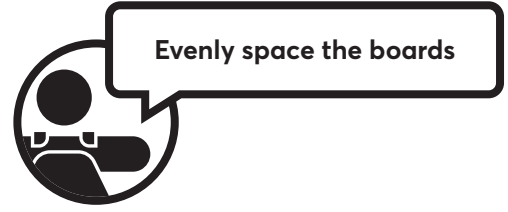
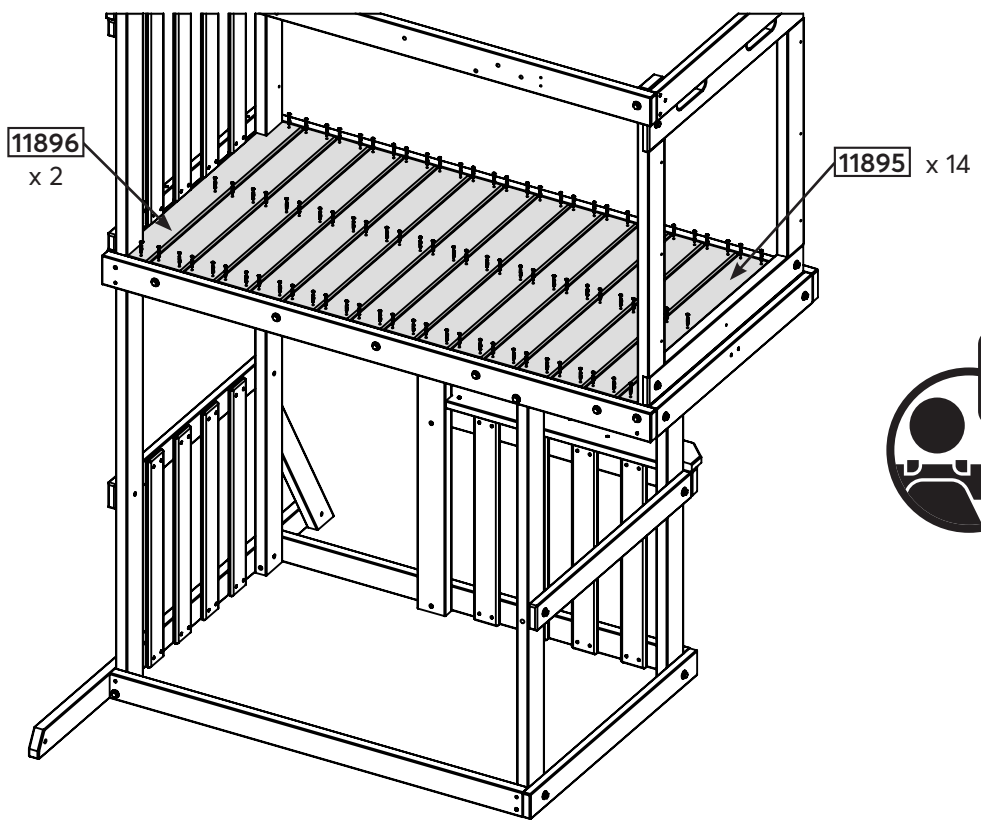
4 x **S4** #8 x 76.2 mm (#8 x 3 in)



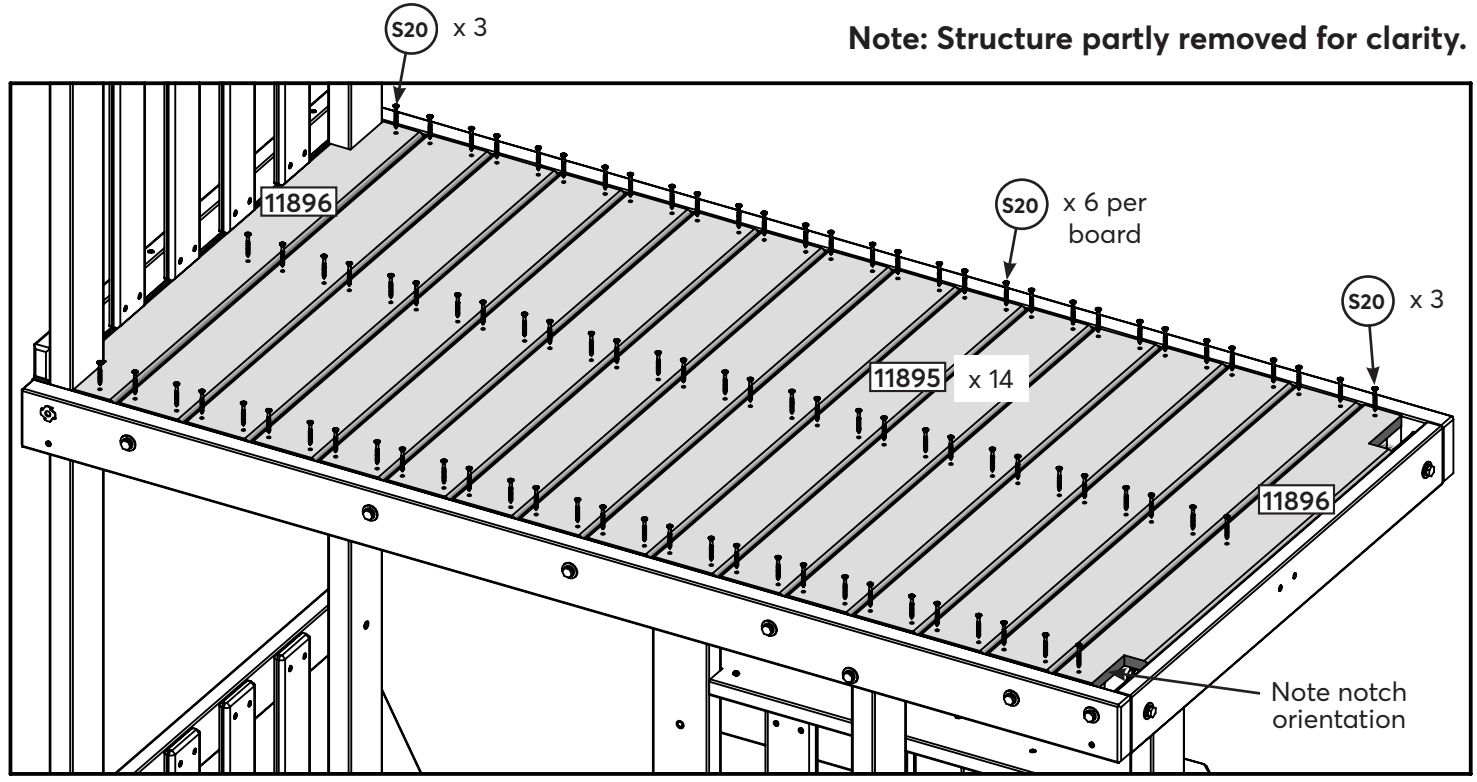
kidkraft.com

customerservice@kidkraft.com
1.800.933.0771
972.385.0100

34



Note: Structure partly removed for clarity.



Wood Parts
 14 x 11895 15.9 x 101.6 x 818.3 mm (5/8 x 4 x 32 3/16 in)
 2 x 11896 15.9 x 98.43 x 818.3 mm (5/8 x 3 7/8 x 32 3/16 in)

Hardware
 90 x S20 #8 x 34.9 mm (#8 x 1-3/8 in)



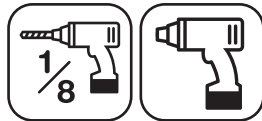
kidkraft.com

customerservice@kidkraft.com
 1.800.933.0771
 972.385.0100

35

Top View

Pre-drill S7 holes using a 1/8 in drill bit

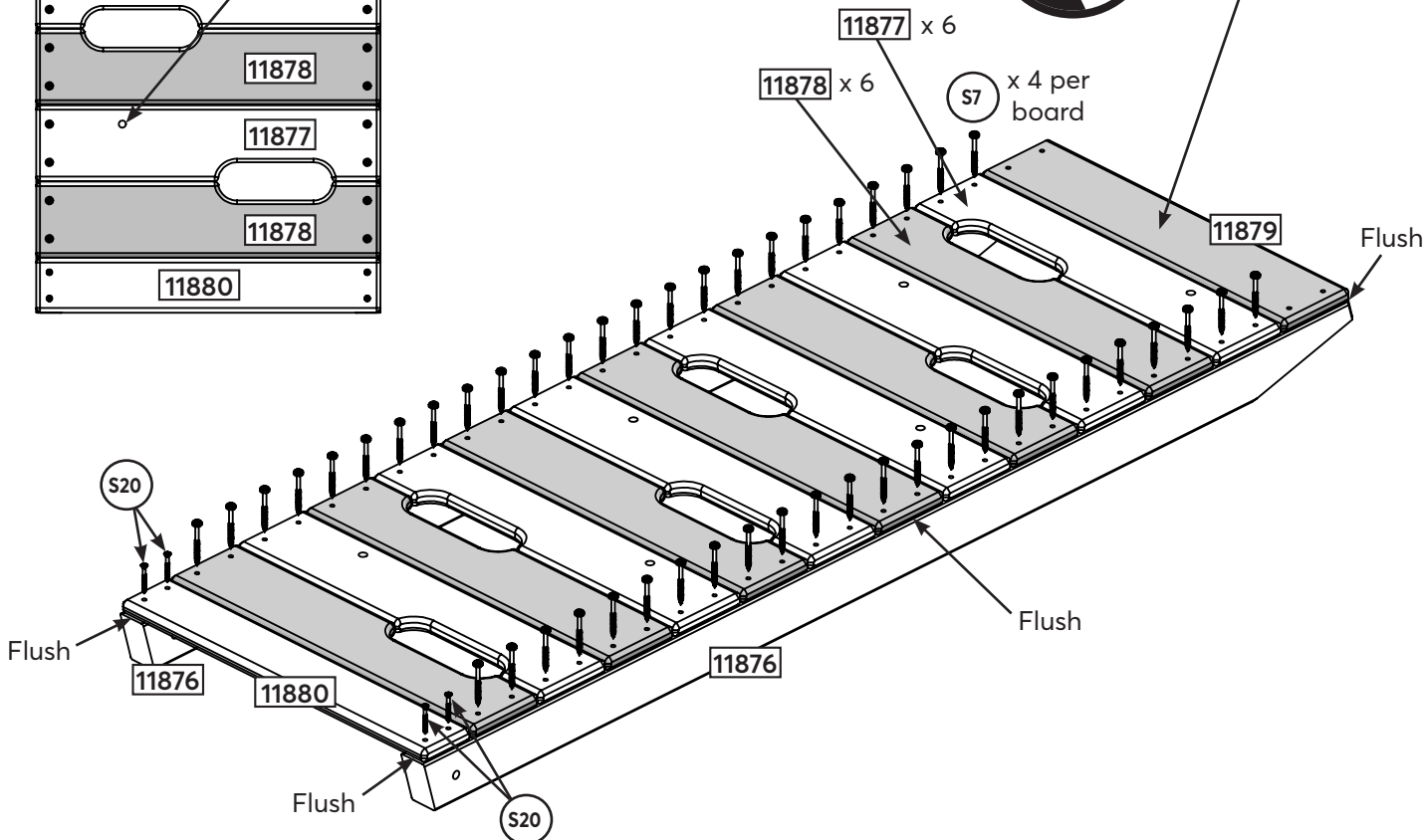
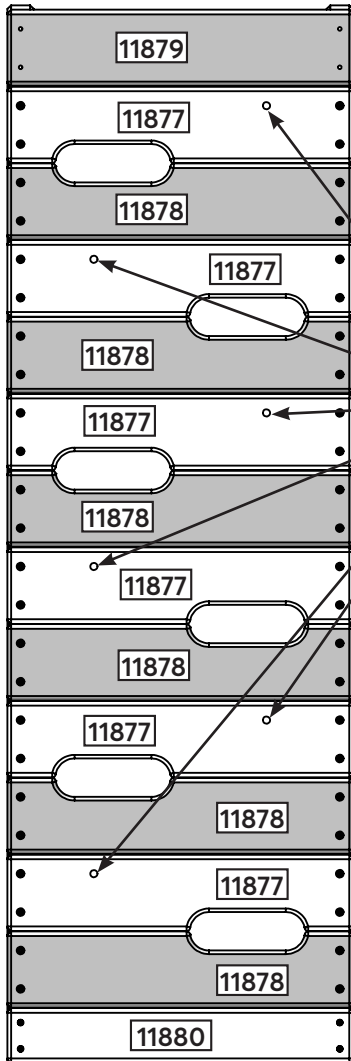


Evenly space the boards



IMPORTANT!
Follow hole pattern

Do not attach!
Use for alignment
only, then put aside
until Step 38



Wood Parts

- 2 x **11876** 34.9 x 63.5 x 1399.6 mm (1 3/8 x 2 1/2 x 55 1/8 in)
- 6 x **11877** 15.9 x 101.6 x 457.2 mm (5/8 x 4 x 18 in)
- 6 x **11878** 15.9 x 101.6 x 457.2 mm (5/8 x 4 x 18 in)
- 1 x **11880** 15.9 x 73.03 x 457.2 mm (5/8 x 2 7/8 x 18 in)

Hardware

- 48 x **S7** #12 x 50.8 mm (#12 x 2 in)
- 4 x **S20** #8 x 34.9 mm (#8 x 1 3/8 in)

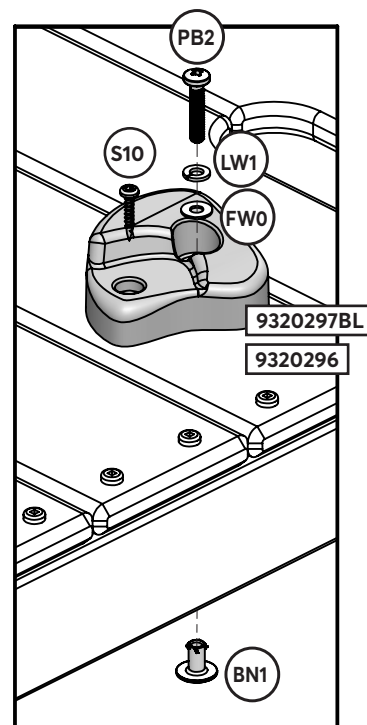
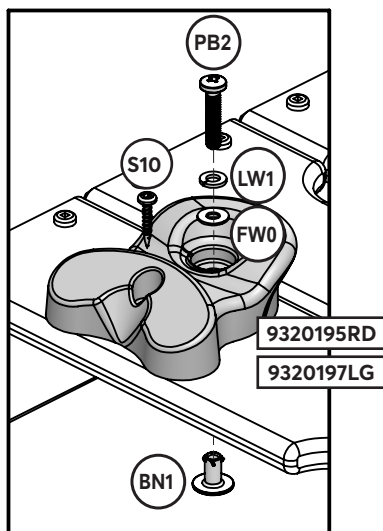
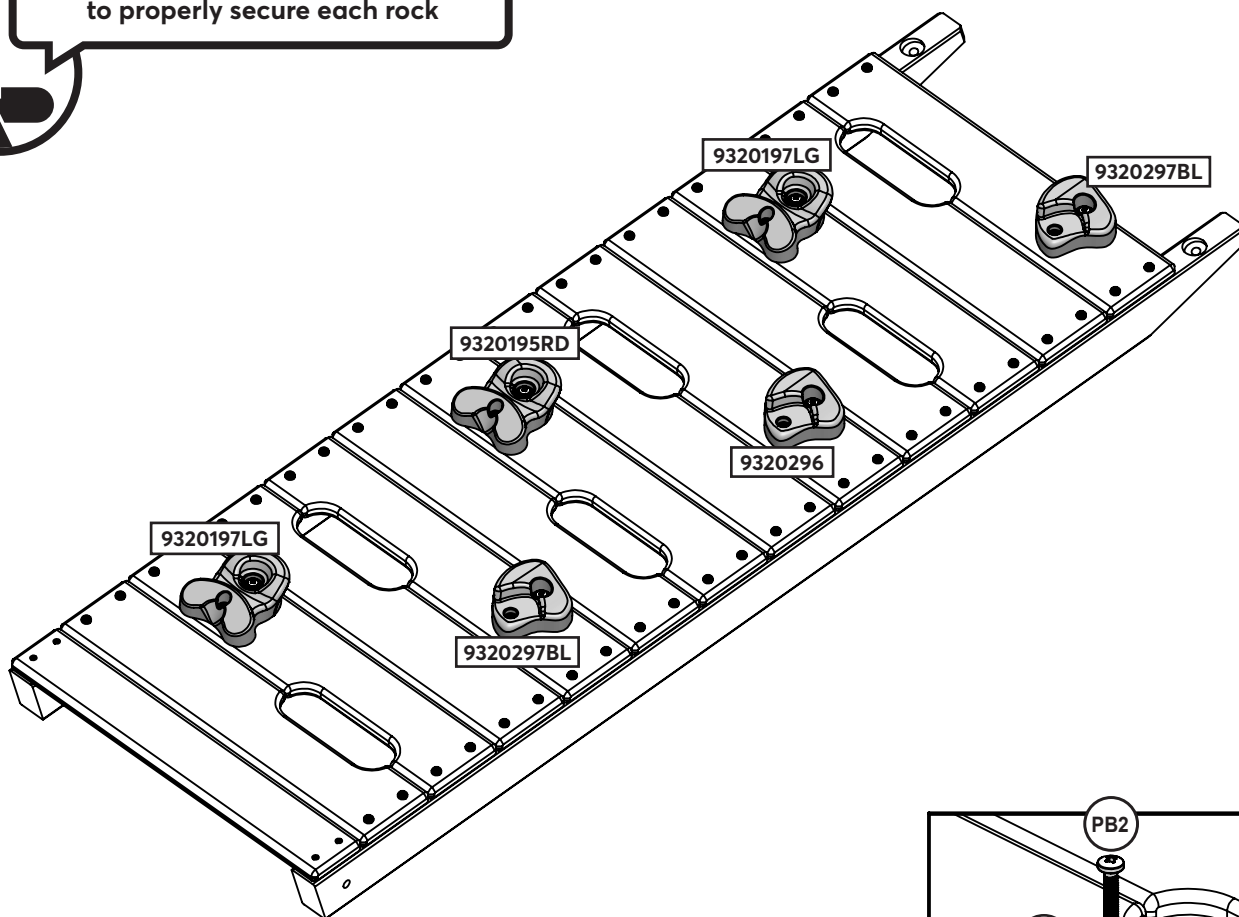


kidkraft.com

customerservice@kidkraft.com
1.800.933.0771
972.385.0100

36

Note: Make sure all hardware is used to properly secure each rock



Hardware

- 6 x (PB2) 7.9 x 32 mm (5/16 x 1-1/4 in) (FW0, LW1, BN1)
- 6 x (S10) #8 x 25.4 mm (#8 x 1 in)

Other Parts

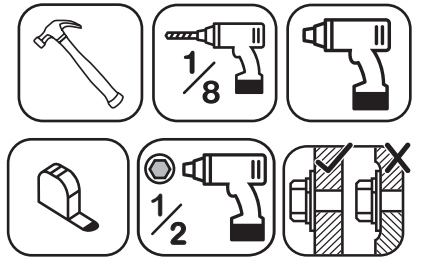
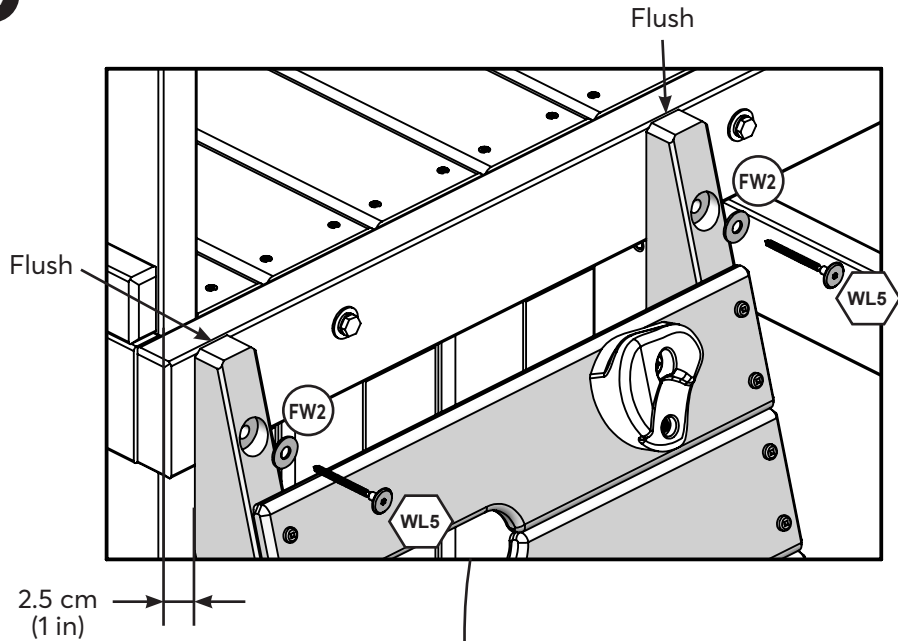
- 1 x 9320195RD 2 x 9320297BL
- 2 x 9320197LG 1 x 9320296



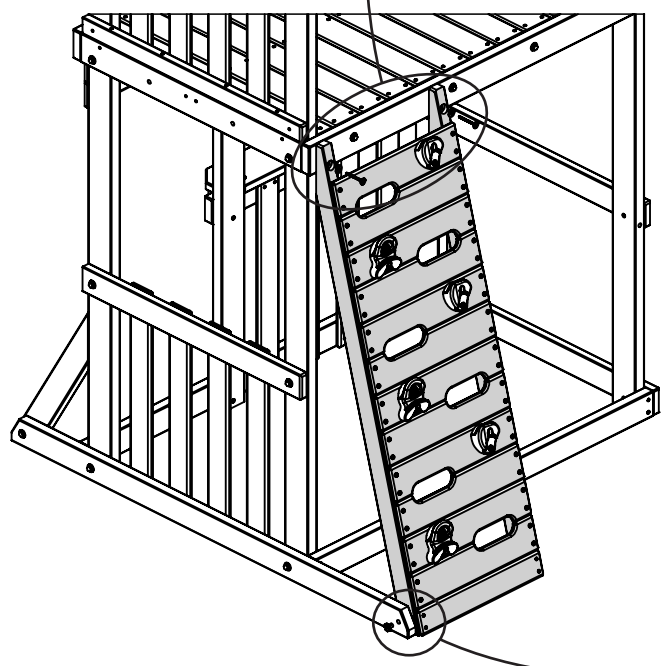
kidkraft.com

customerservice@kidkraft.com
 1.800.933.0771
 972.385.0100

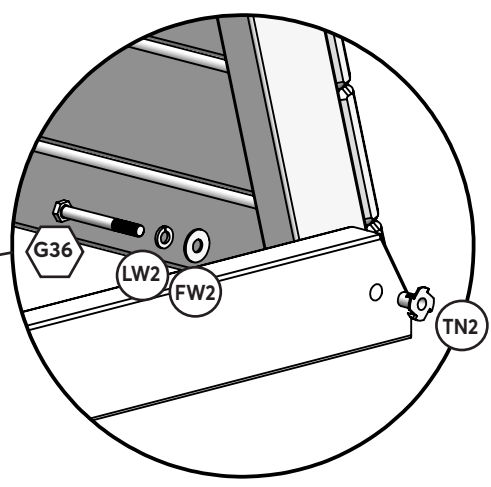
37



Pre-drill each hole using a 1/8 drill bit for WL5



Rotated View



Assemble T-Nut first with hammer!

Hardware

2 x 6.4 x 63.5 mm (1/4 x 2-1/2 in) (FW2)

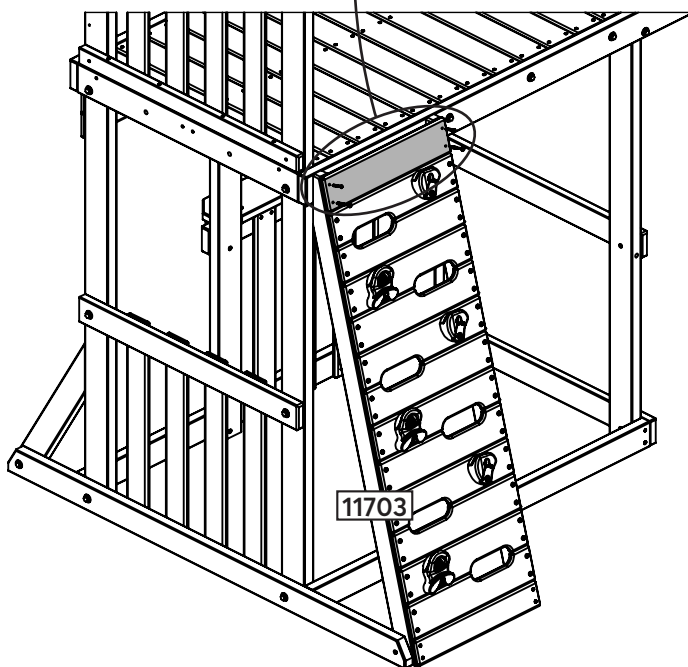
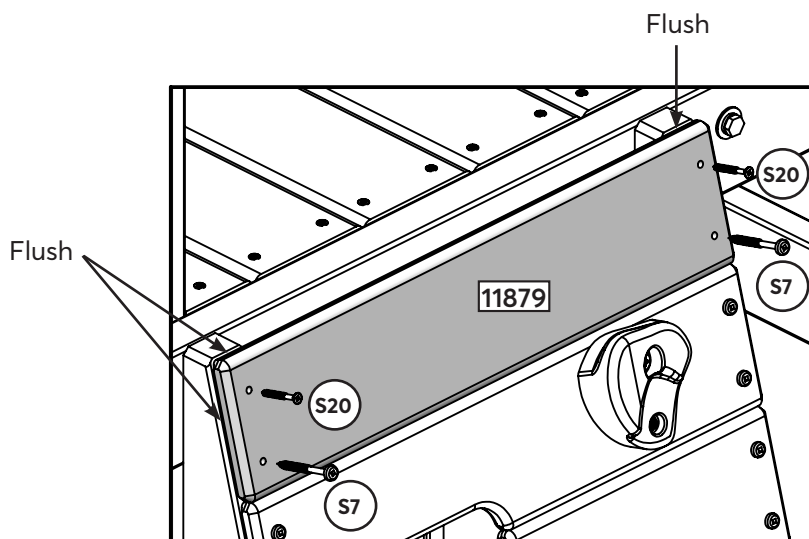
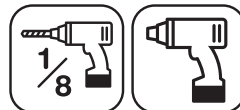
1 x 7.9 x 69.9 mm (5/16 x 2-3/4 in) (LW2, FW2, TN2)



kidkraft.com

customerservice@kidkraft.com
 1.800.933.0771
 972.385.0100

Pre-drill S7 holes using a 1/8 in drill bit



Wood Parts

1 x **11879** 15.9 x 101.6 x 457.2 mm (5/8 x 4 x 18 in)

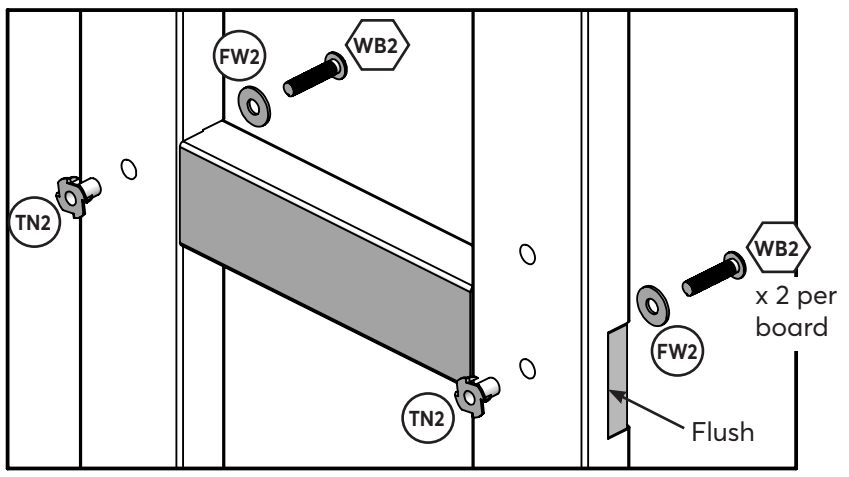
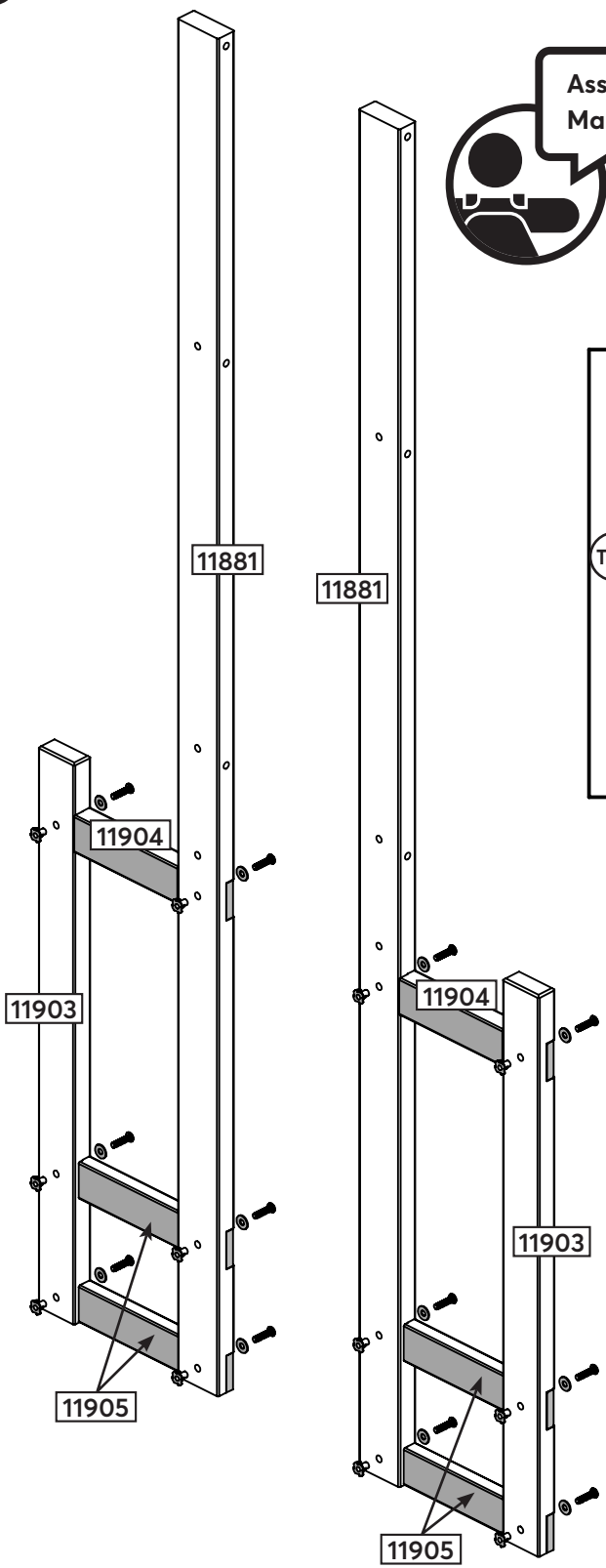
Hardware

2 x **S7** #12 x 50.8 mm (#12 x 2 in)

2 x **S20** #8 x 34.9 mm (#8 x 1-3/8 in)



Assemble T-Nuts first with hammer!
Make sure the assembly is square



Wood Parts

- 2 x **11881** 34.9 x 85.7 x 2336.8 mm (1 3/8 x 3 3/8 x 92 in)
- 2 x **11903** 34.9 x 76.2 x 965.2 mm (1 3/8 x 3 x 38 in)

- 2 x **11904** 34.9 x 63.5 x 379.4 mm (1 3/8 x 2 1/2 x 14 15/16 in)
- 4 x **11905** 25.4 x 63.5 x 379.4 mm (1 x 2 1/2 x 14 15/16 in)

Hardware

- 12 x **WB2** 7.9 x 34.9 mm (5/16 x 1-3/8 in)
- (FW2, TN2)

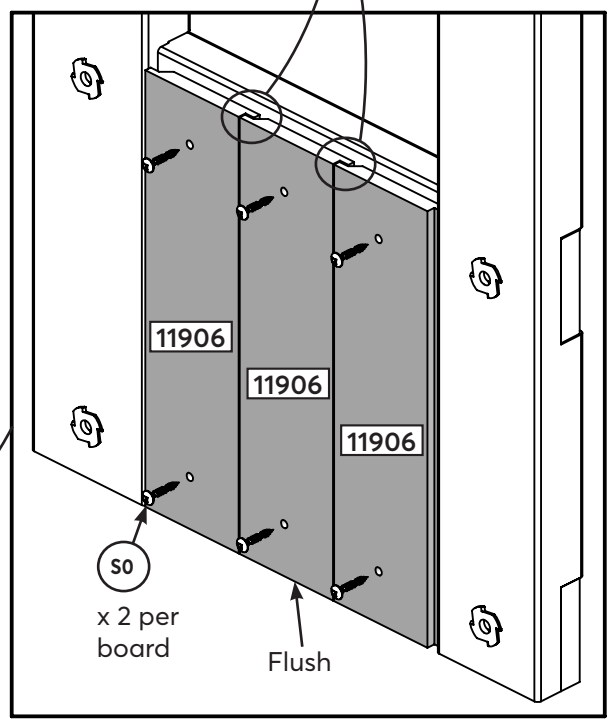
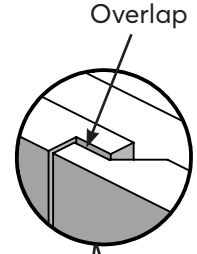
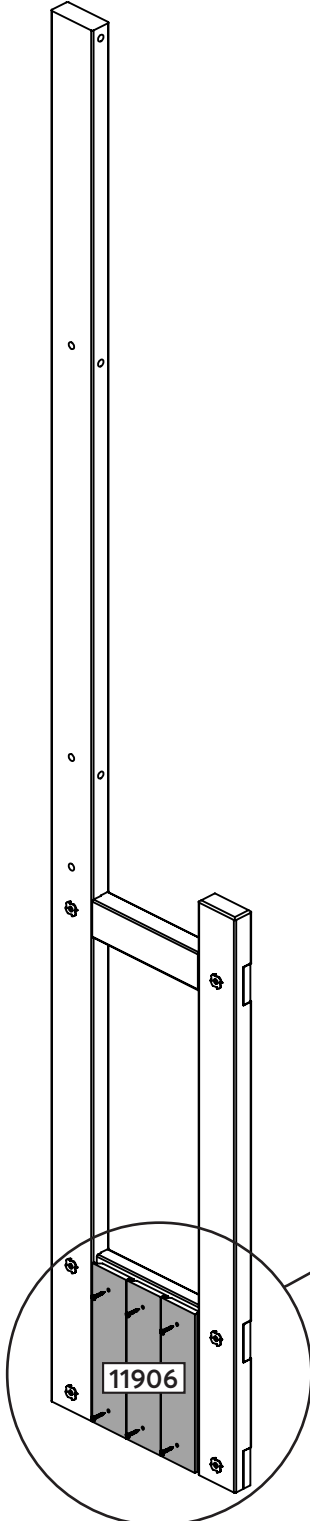
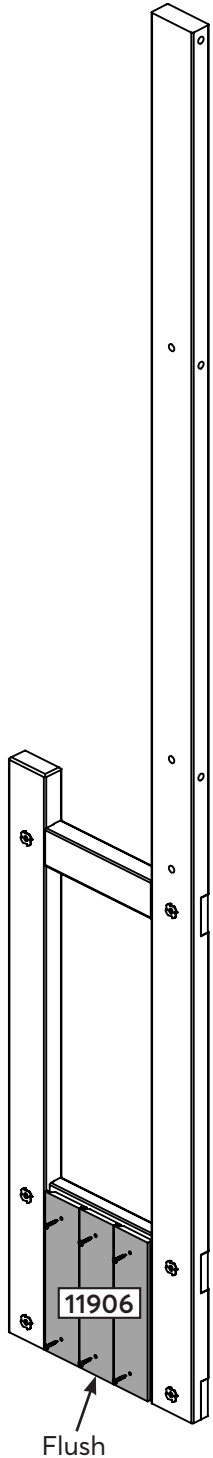


kidkraft.com

customerservice@kidkraft.com
1.800.933.0771
972.385.0100



Evenly space the boards



Wood Parts

6 x 11906 9.5 x 76.2 x 266.7 mm (3/8 x 3 x 10 1/2 in)

Hardware

12 x S0 #8 x 22.2mm (#8 x 7/8 in)

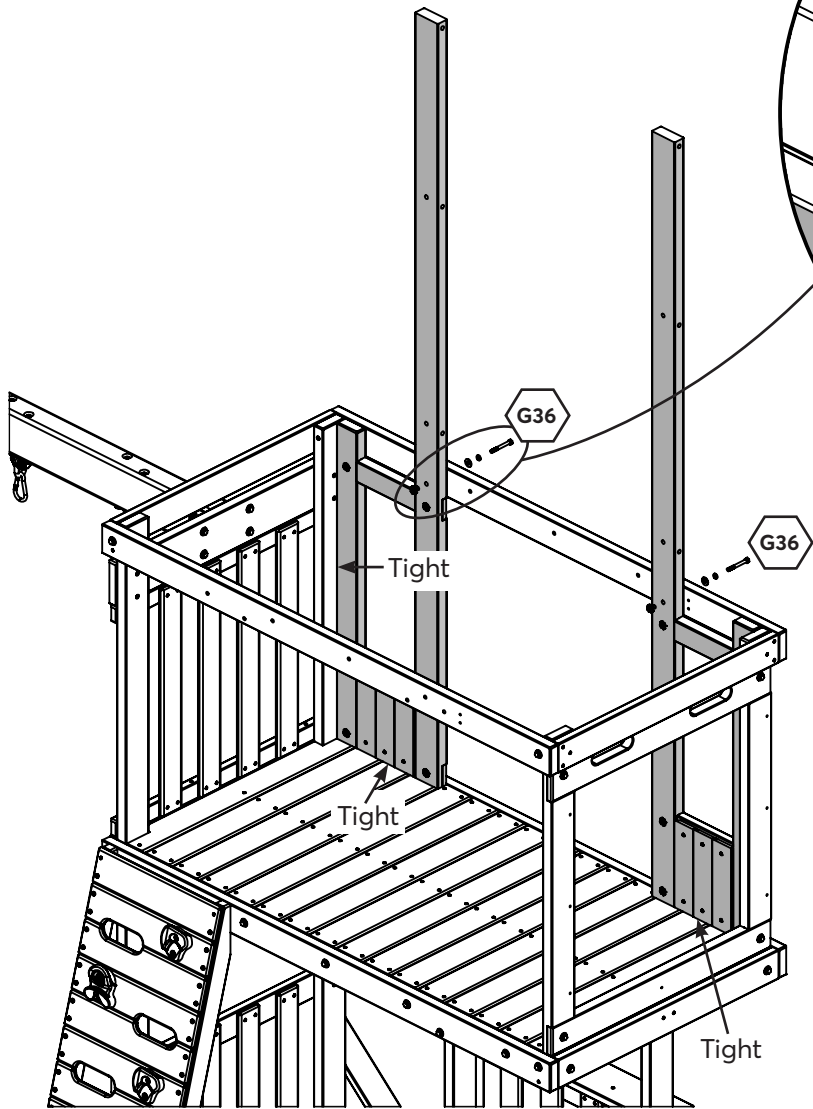
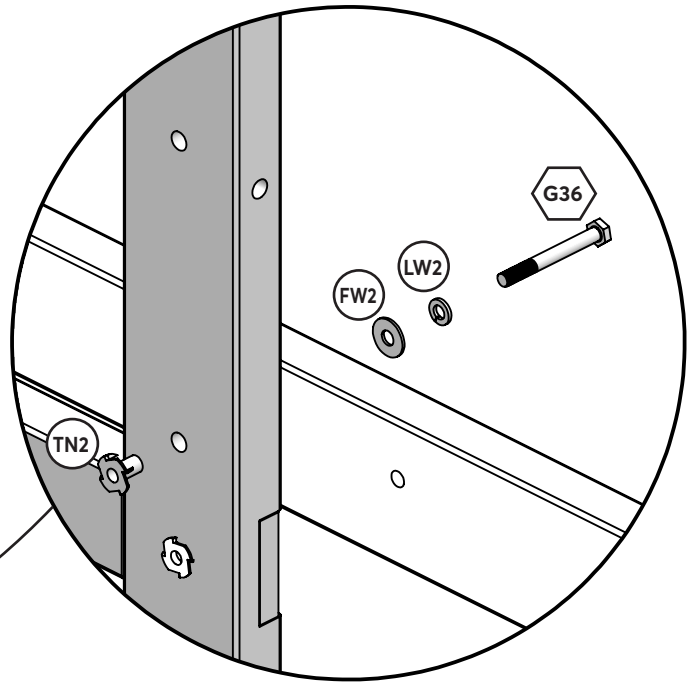
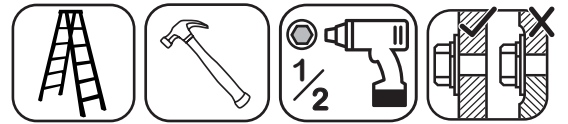


kidkraft.com


customerservice@kidkraft.com
1.800.933.0771
972.385.0100

41

Assemble T-Nuts first with hammer!
Do not tighten bolts until next step



Hardware

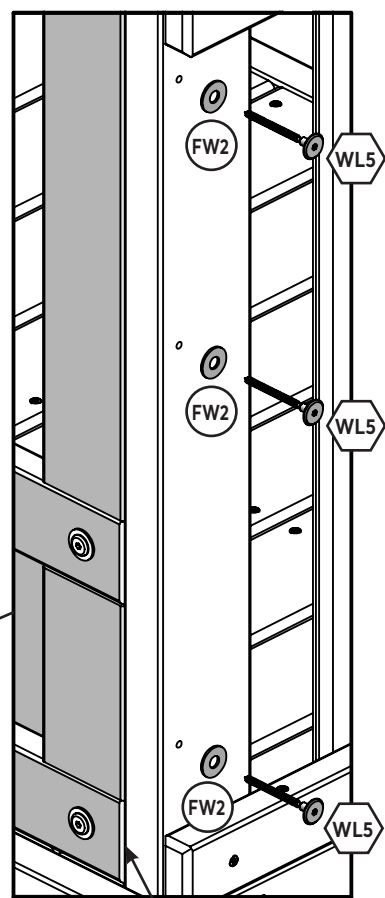
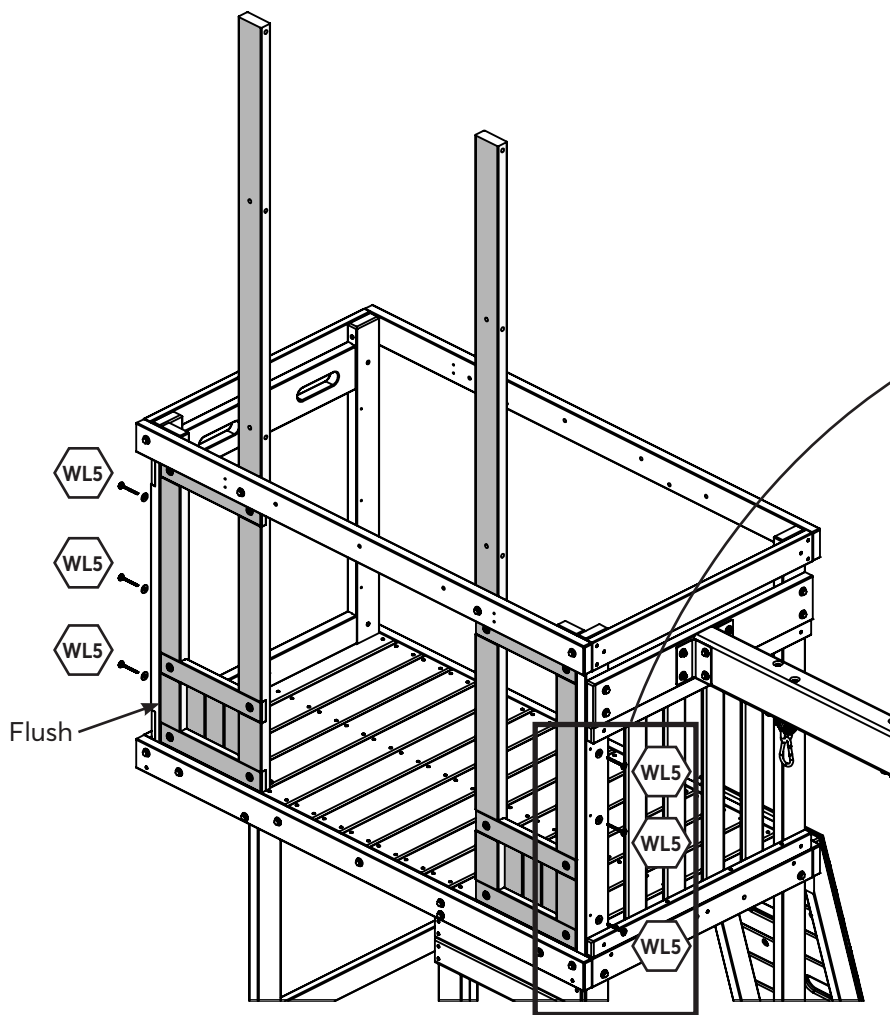
2 x  7.9 x 69.9 mm (5/16 x 2-3/4 in) (LW2, FW2, TN2)



kidkraft.com

customerservice@kidkraft.com
1.800.933.0771
972.385.0100

Tighten all bolts



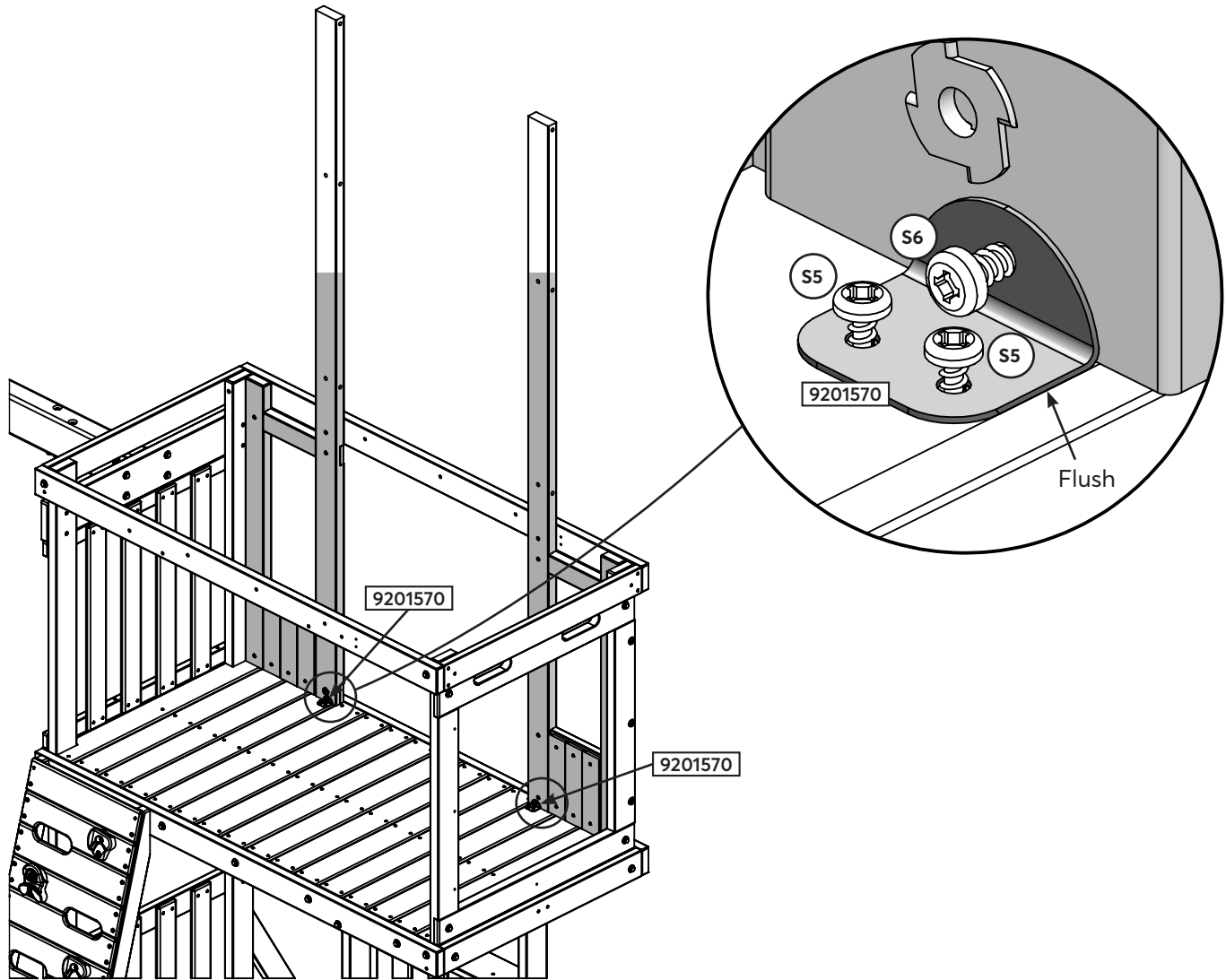
Hardware

6 x  6.4 x 63.5 mm (1/4 x 2-1/2 in) (FW2)



kidkraft.com

customerservice@kidkraft.com
1.800.933.0771
972.385.0100

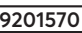


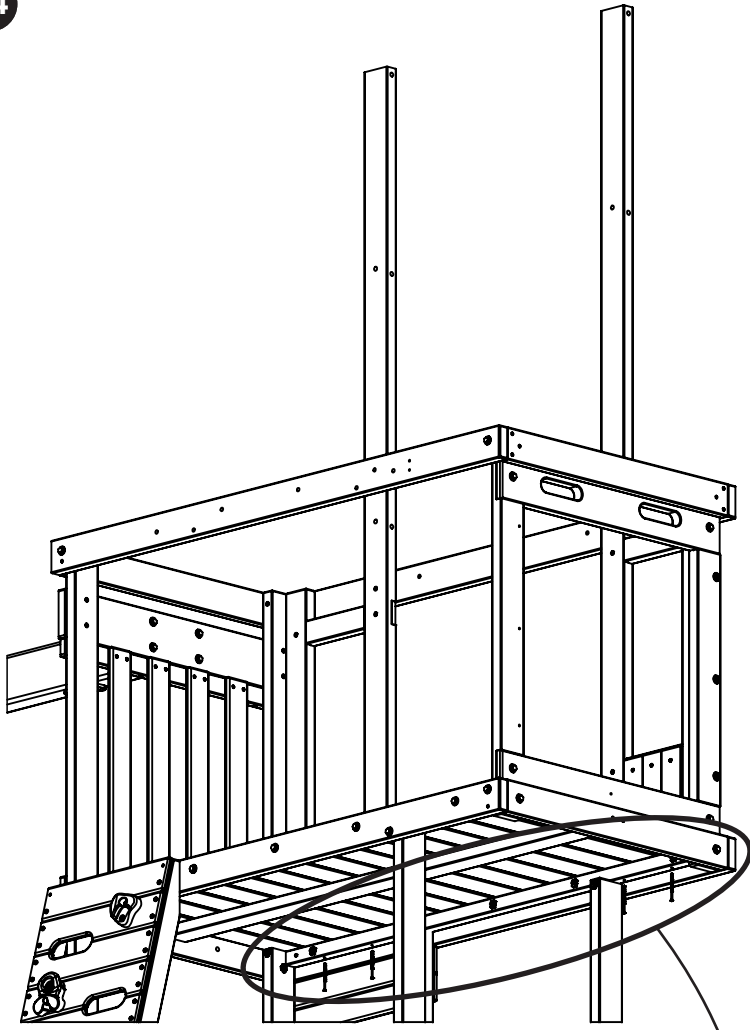
Hardware

4 x  #8 x 12.7 mm (#8 x 1/2 in)

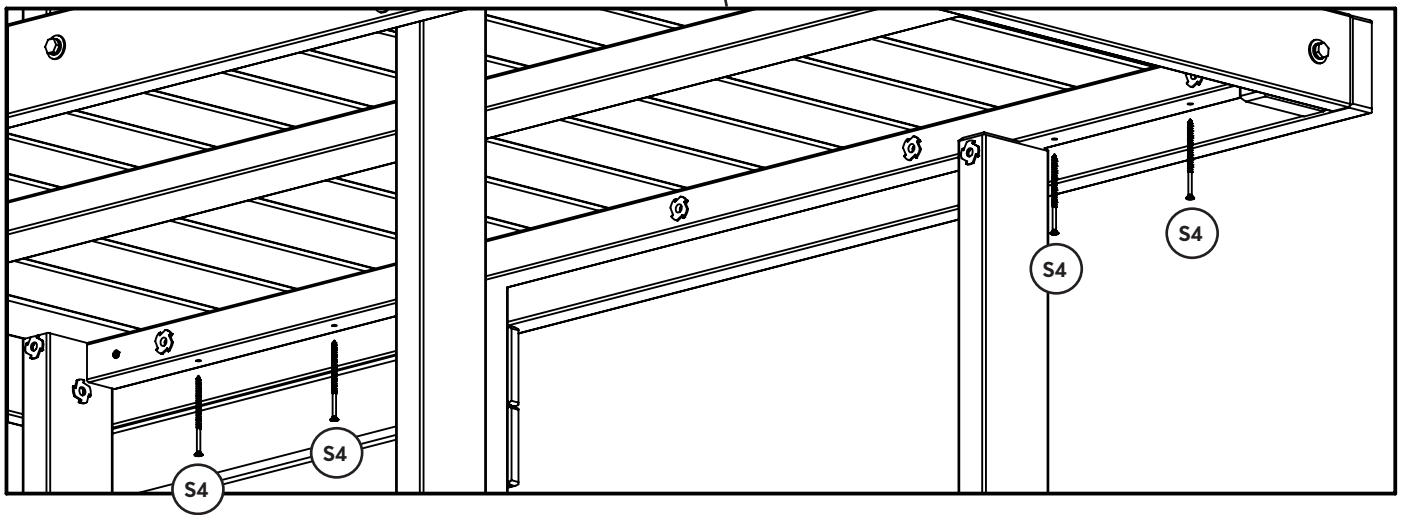
2 x  #12 x 25.4 mm (#12 x 1 in)

Other Parts

2 x 

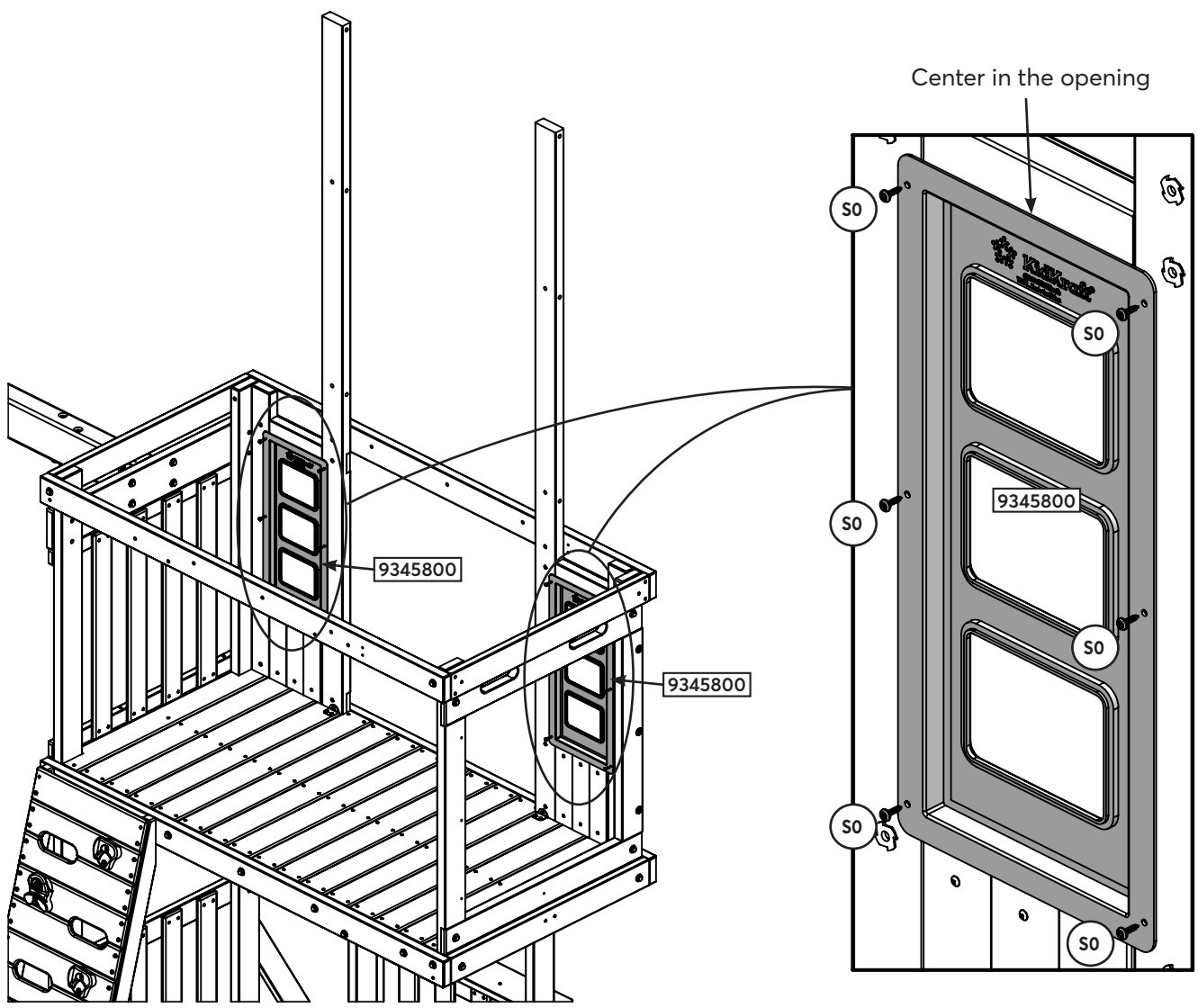


Underneath View



Hardware

4 x  #8 x 76.2 mm (#8 x 3 in)



Hardware

12 x (S0) #8 x 22.2 mm (#8 x 7/8 in)

Other Parts

2 x 9345800

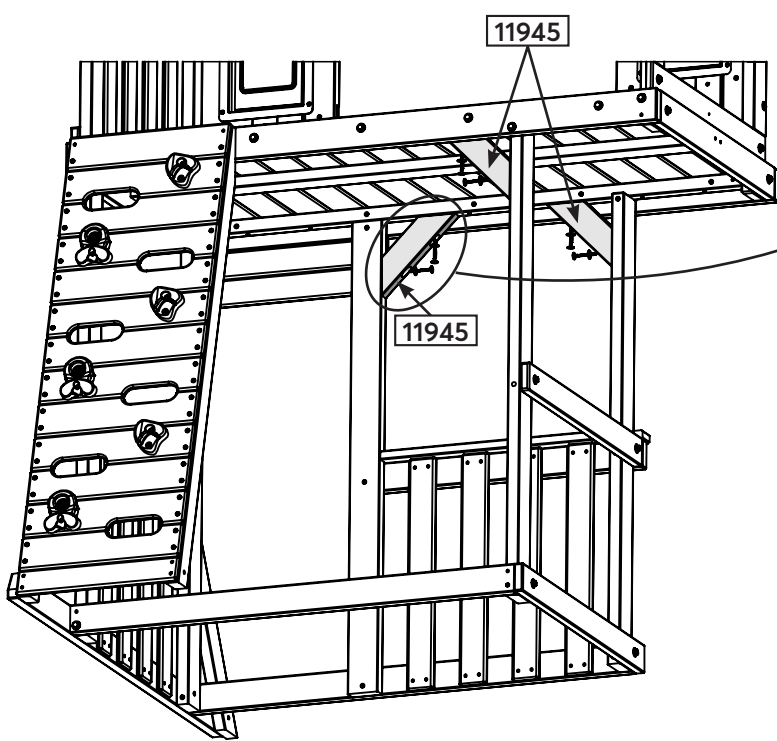
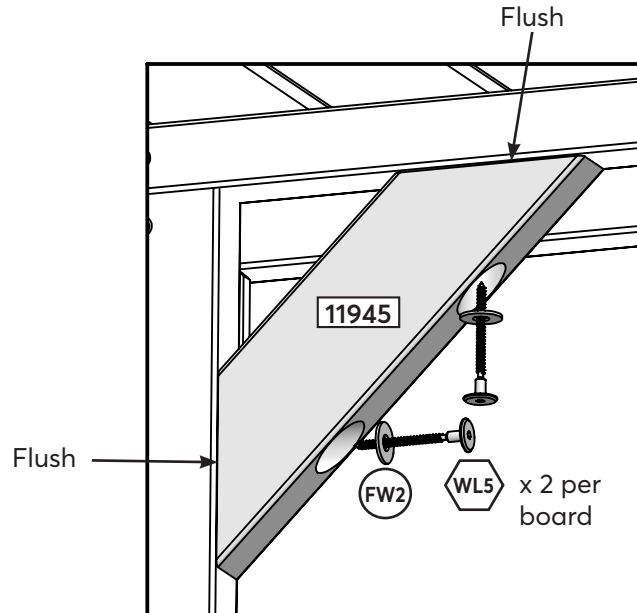
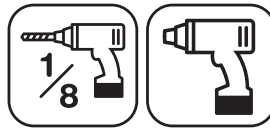


kidkraft.com

customerservice@kidkraft.com
1.800.933.0771
972.385.0100

46

Pre-drill each hole using a 1/8 in drill bit for WL5



Wood Parts

3 x 11945 31.8 x 76.2 x 292.1 mm (1 1/4 x 3 x 11 1/2 in)

Hardware

6 x WL5 6.4 x 63.5 mm (1/4 x 2-1/2 in) (FW2)

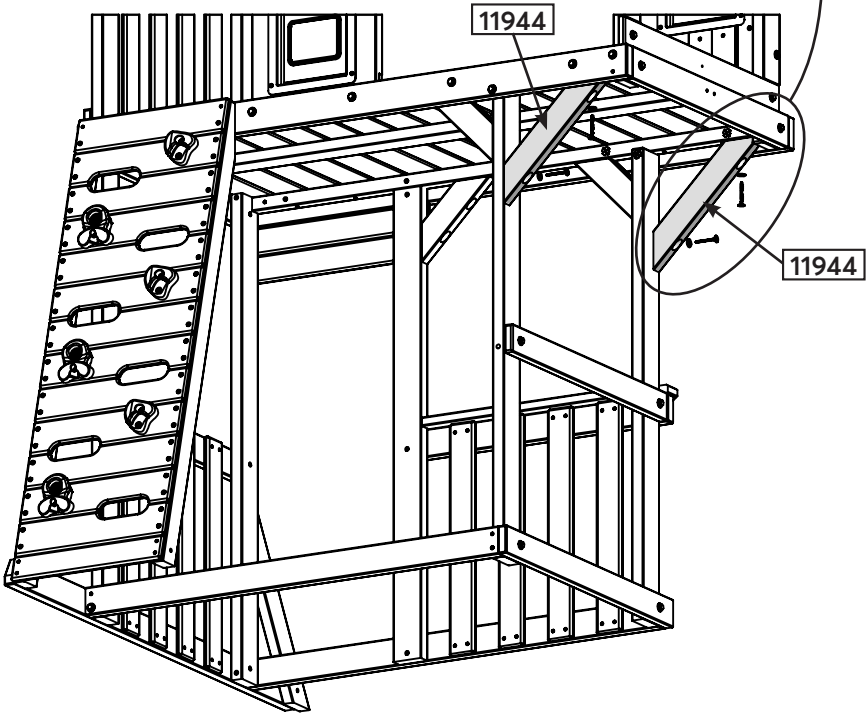
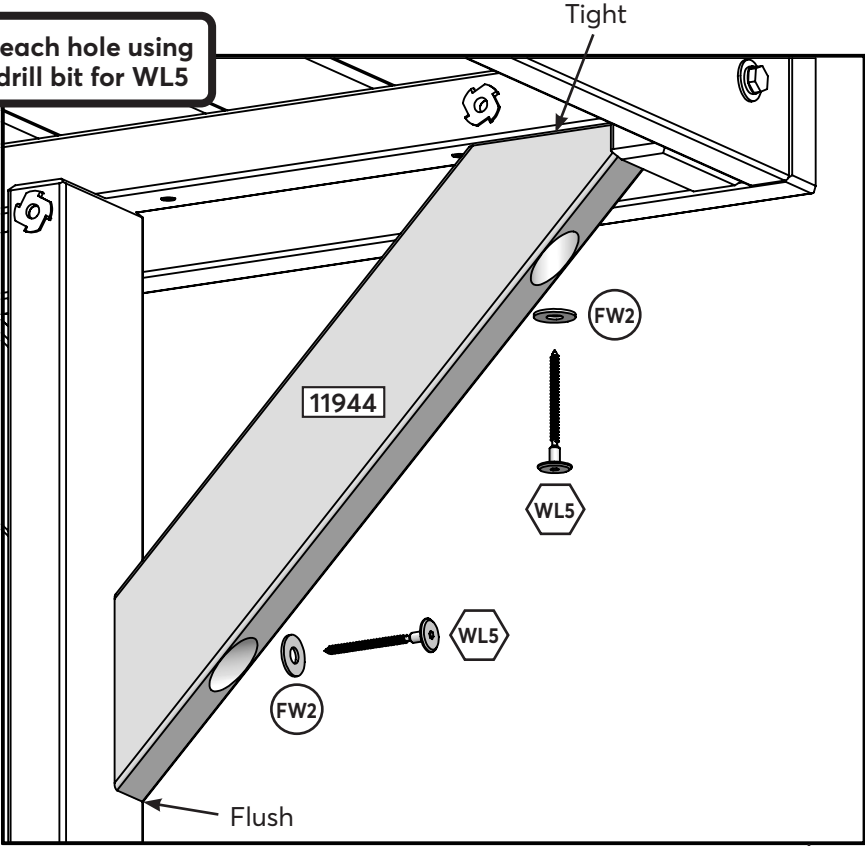
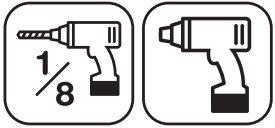


kidkraft.com

customerservice@kidkraft.com
1.800.933.0771
972.385.0100

47

Pre-drill each hole using a 1/8 in drill bit for WL5



Wood Parts

2 x 11944 31.8 x 76.2 x 457.2 mm (1 1/4 x 3 x 18 in)

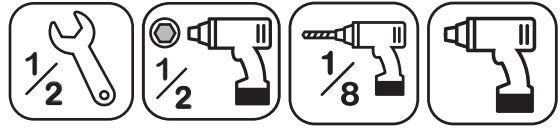
Hardware

4 x WL5 6.4 x 63.5 mm (1/4 x 2-1/2 in) (FW2)

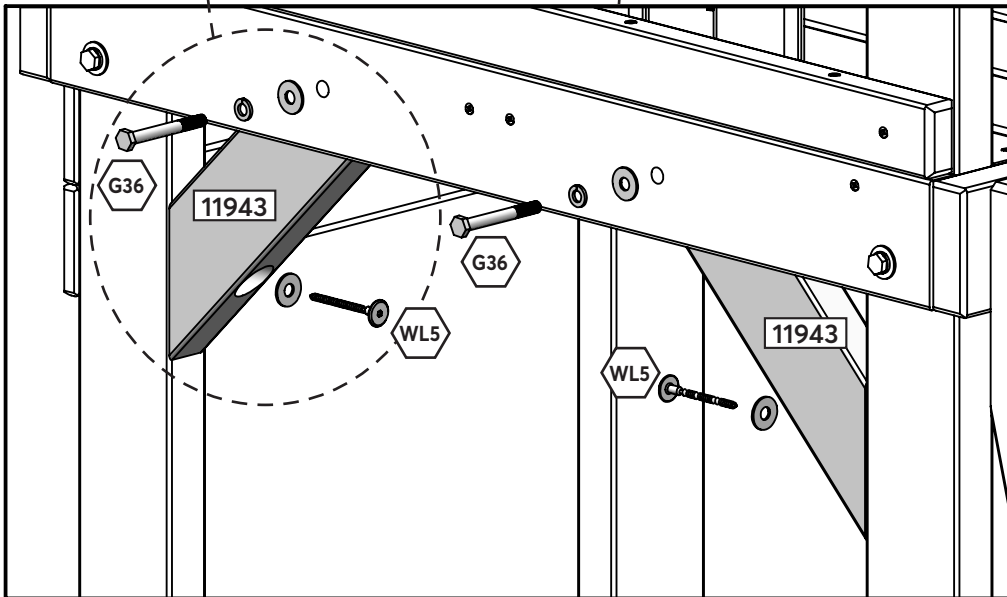
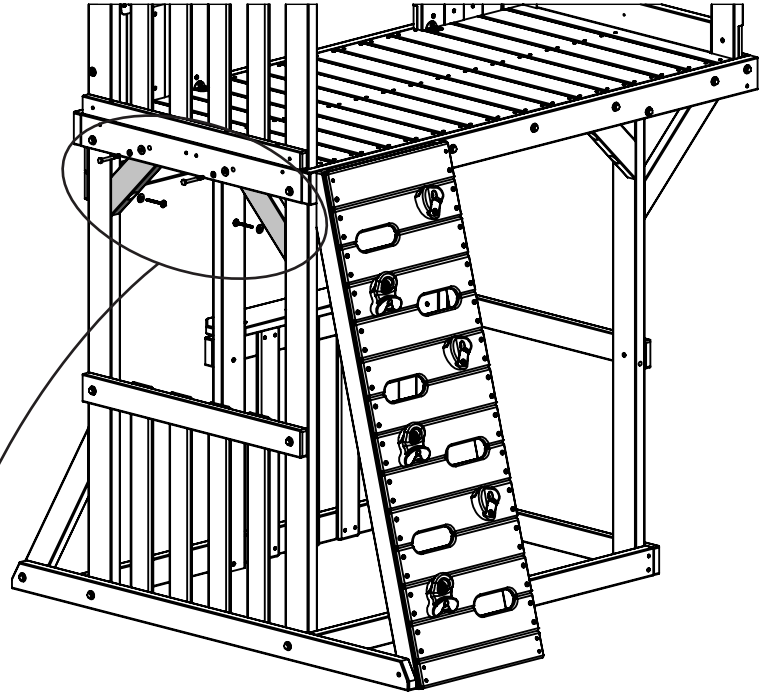
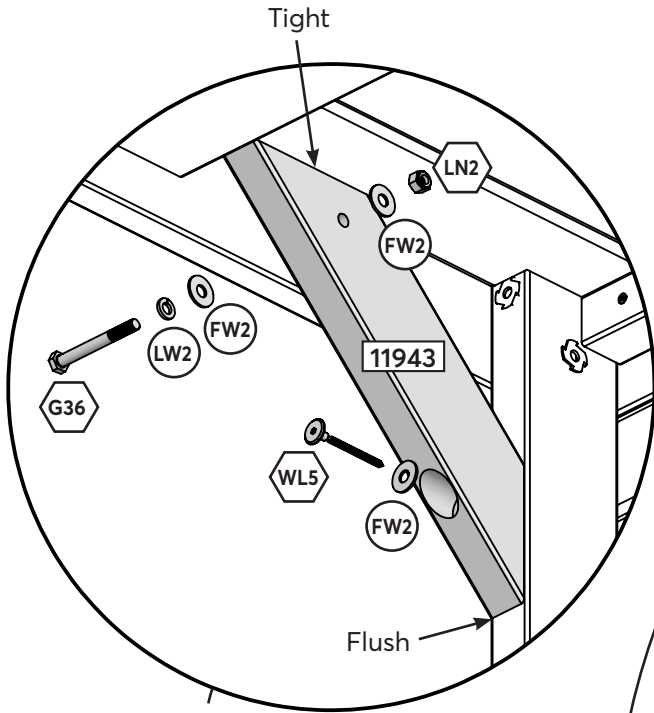


kidkraft.com

customerservice@kidkraft.com
1.800.933.0771
972.385.0100



Rotated Inside View



Pre-drill each hole using a 1/8 in drill bit for WL5

Wood Parts

2 x 11943 31.8 x 76.2 x 355.6 mm (1 1/4 x 3 x 14 in)

Hardware

2 x WL5 6.4 x 63.5 mm (1/4 x 2-1/2 in) (FW2)

2 x G36 7.9 x 69.9 mm (5/16 x 2-3/4 in) (LW2, FW2 x 2, LN2)

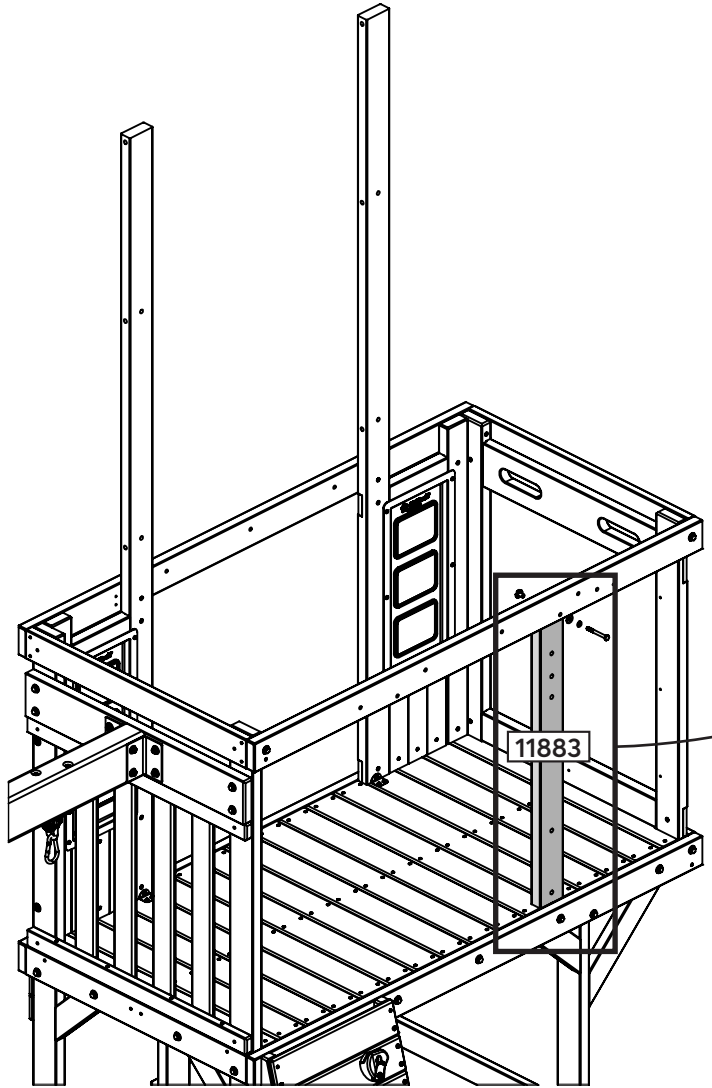
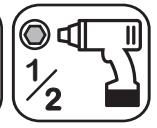


kidkraft.com

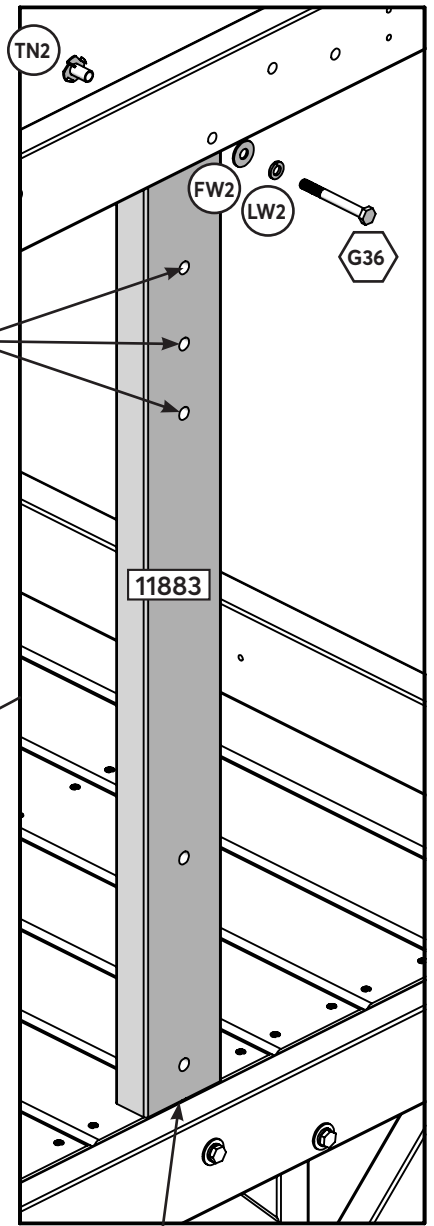
customerservice@kidkraft.com
1.800.933.0771
972.385.0100



Assemble T-Nut first with hammer!



Note hole orientation



Wood Parts

1 x 11883 34.9 x 85.7 x 911.2 mm (1 3/8 x 3 3/8 x 35 7/8 in)

Hardware

1 x G36 7.9 x 69.9 mm (5/16 x 2-3/4 in) (LW2, FW2, TN2)

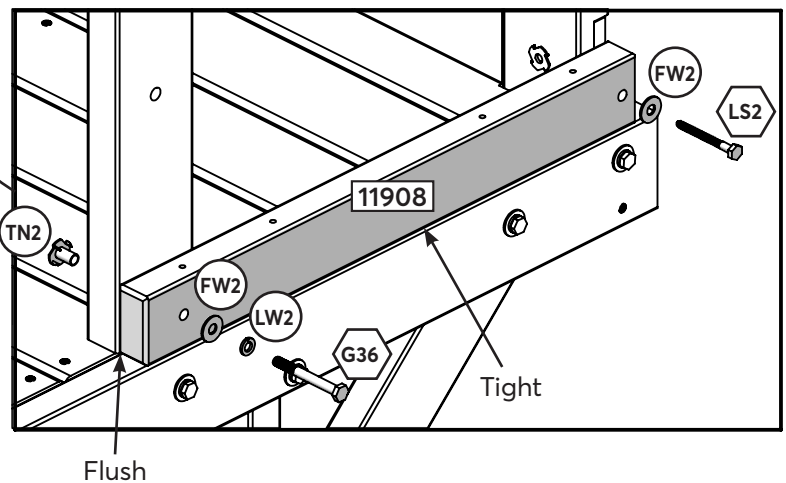
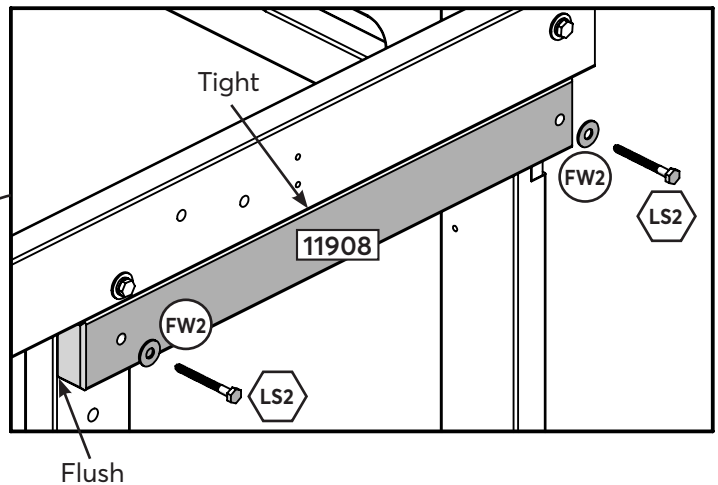
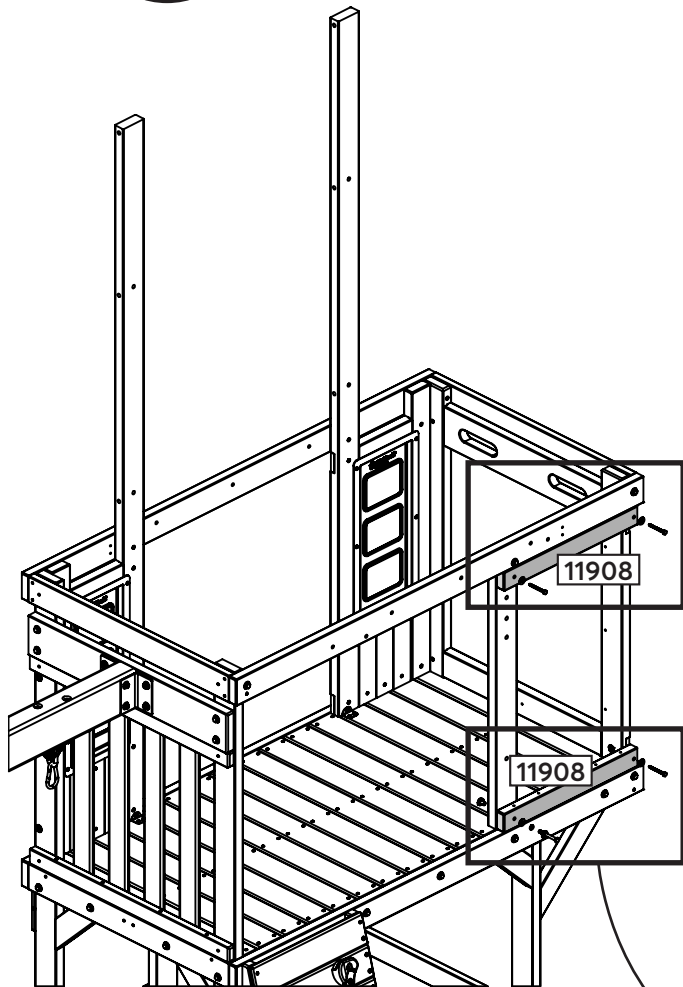
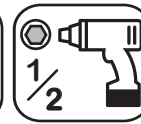
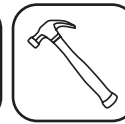


kidkraft.com

customerservice@kidkraft.com
1.800.933.0771
972.385.0100

50

Assemble T-Nut first with hammer!
Pre-drill each hole using a 1/8 in drill bit for LS2.



Wood Parts

2 x 11908 31.8 x 63.5 x 552.4 mm (1 1/4 x 2 1/2 x 21 3/4 in)

Hardware

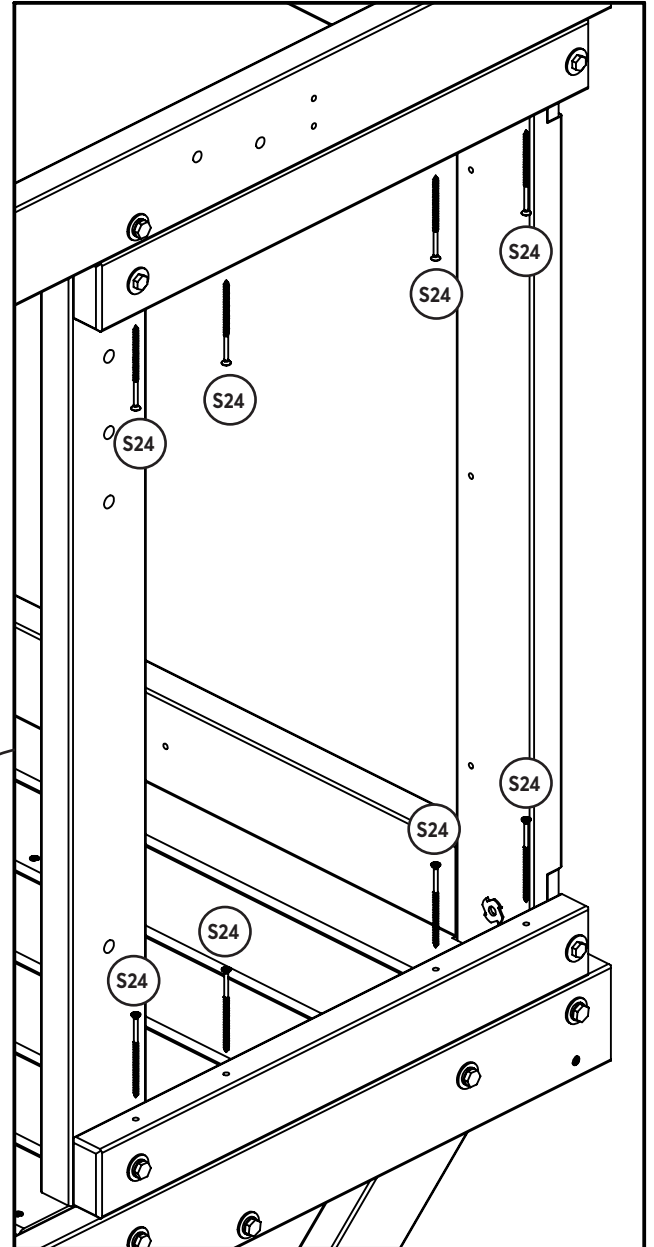
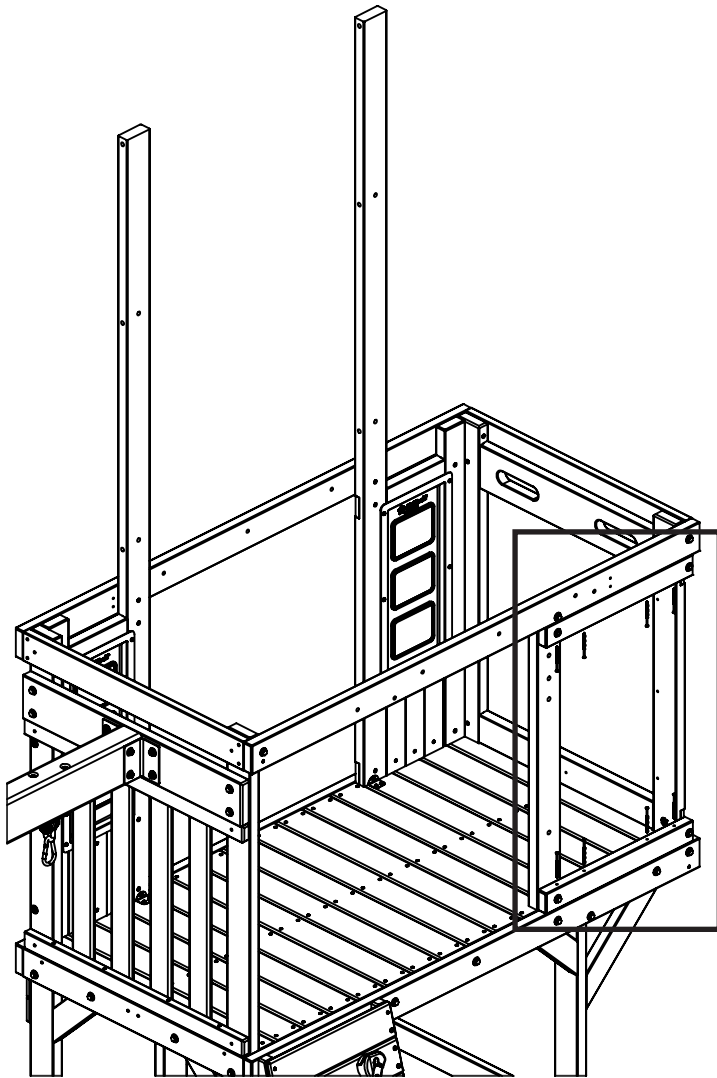
1 x G36 7.9 x 69.9 mm (5/16 x 2-3/4 in) (LW2, FW2, TN2)

3 x LS2 6.4 x 63.5 mm (1/4 x 2-1/2 in) (FW2)



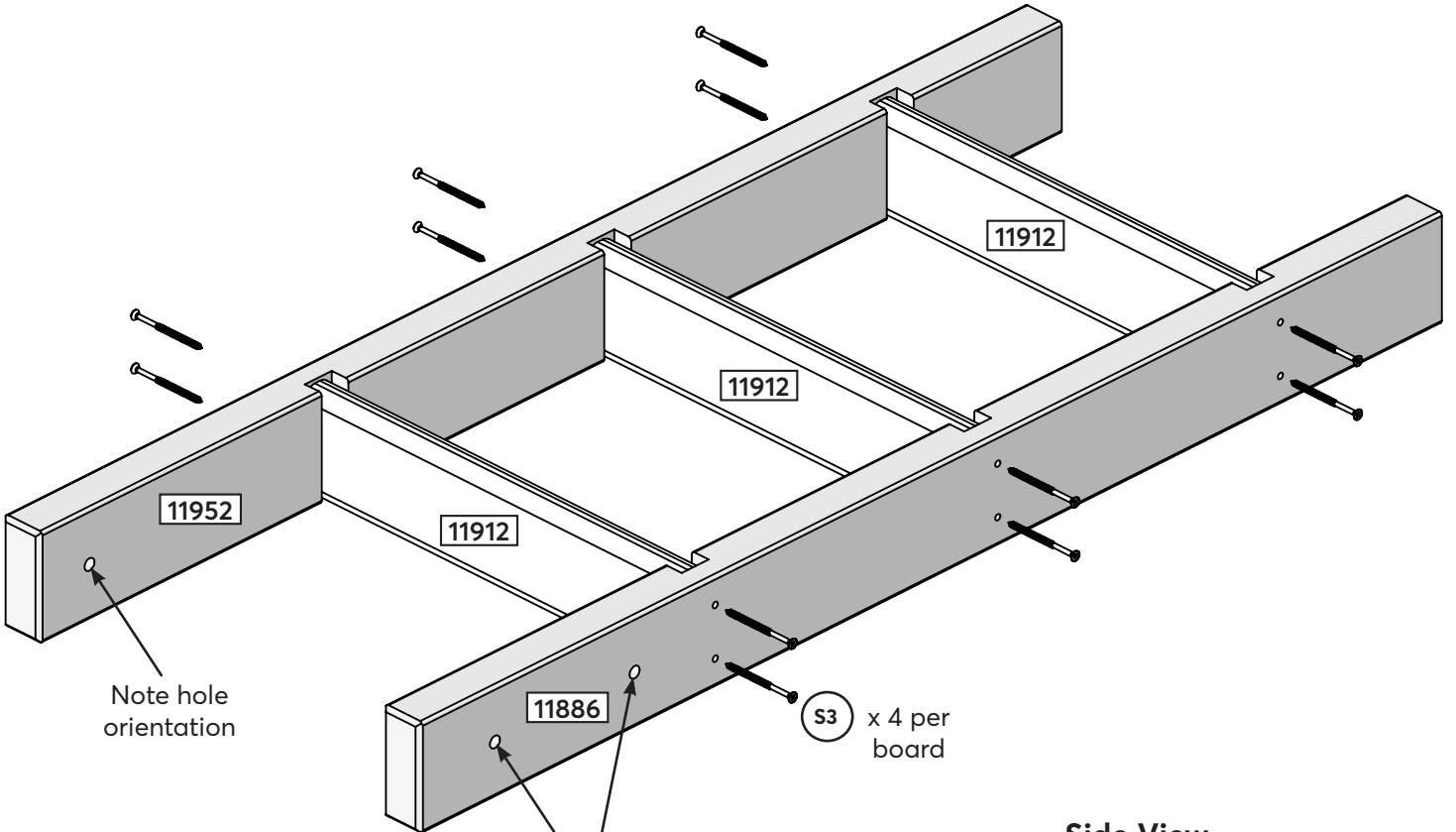
kidkraft.com

customerservice@kidkraft.com
1.800.933.0771
972.385.0100

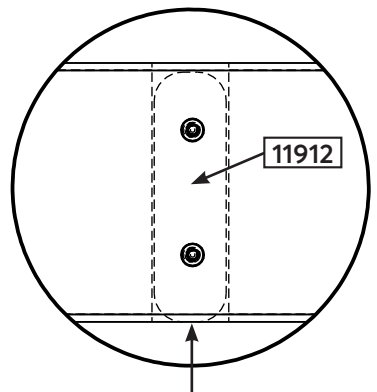


Hardware

8 x  #10 x 101.6 mm (#10 x 4 in)



Side View



Wood Parts

- 1 x **11886** 34.9 x 85.7 x 965.2 mm (1 3/8 x 3 3/8 x 38 in)
- 3 x **11912** 23.8 x 82.6 x 355.6 mm (15/16 x 3 1/4 x 14 in)
- 1 x **11952** 34.9 x 85.7 x 965.2 mm (1 3/8 x 3 3/8 x 38 in)

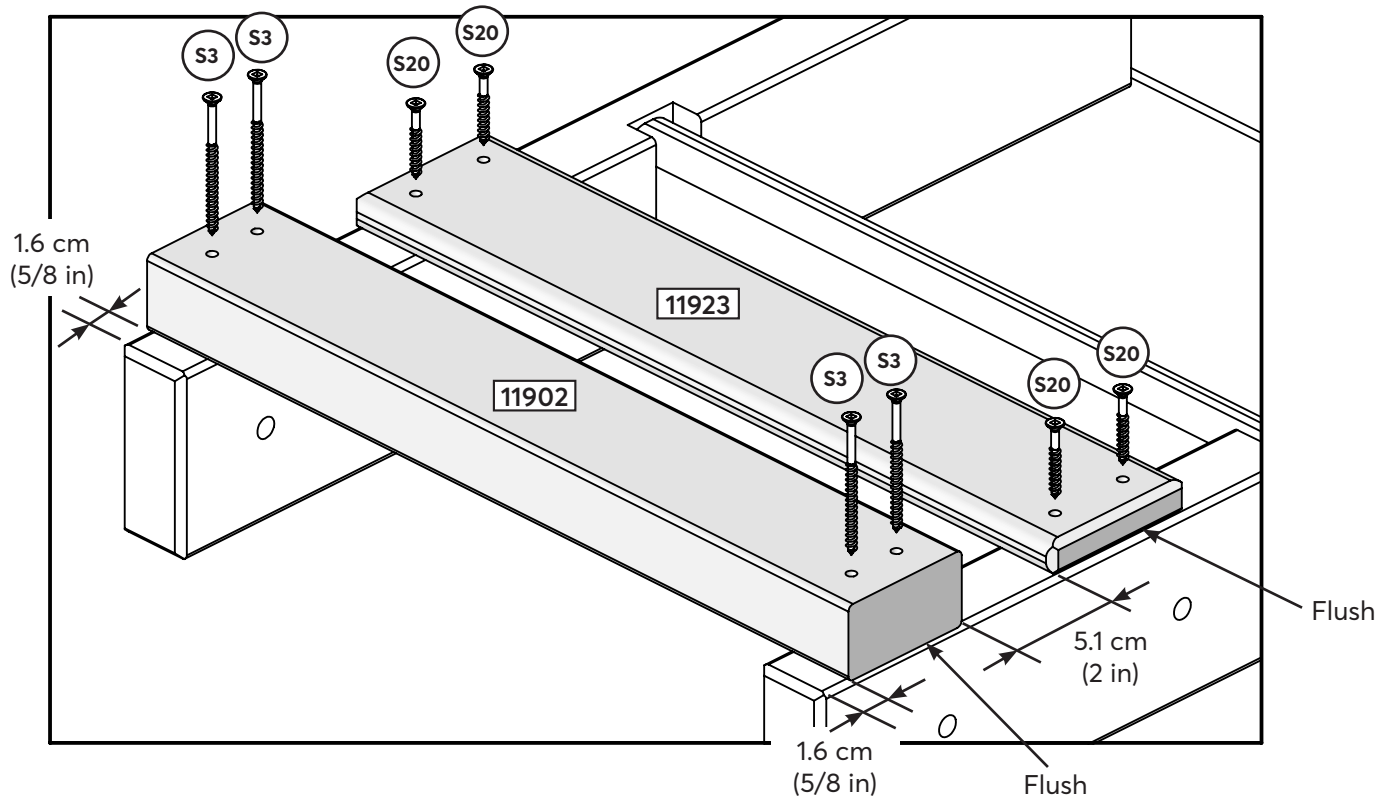
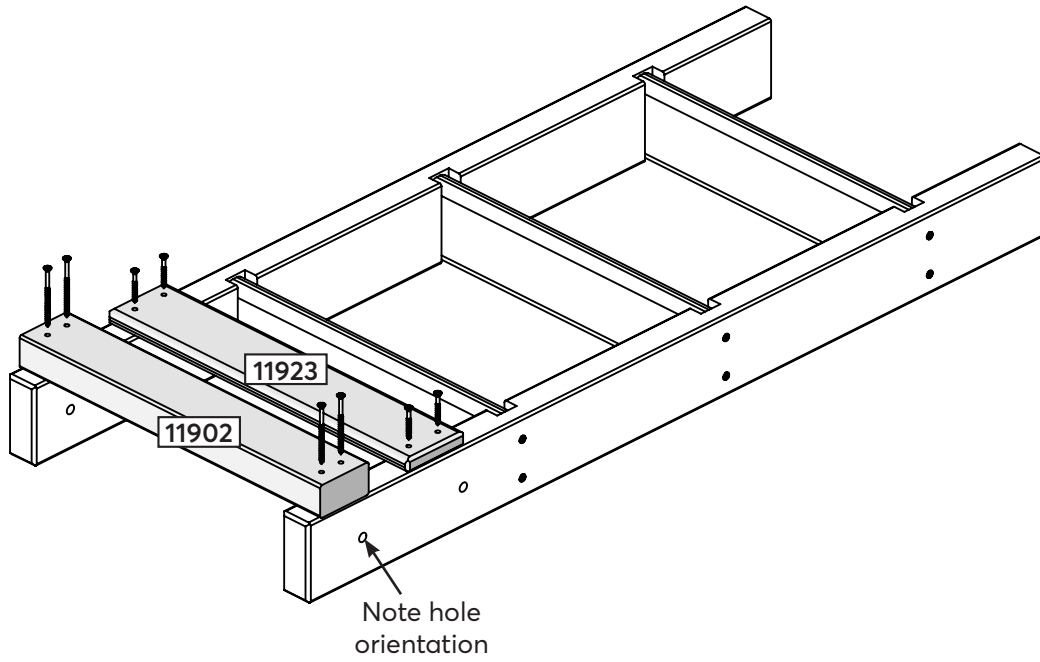
Hardware

- 12 x **S3** #8 x 63.5 mm (#8 x 2-1/2 in)



kidkraft.com

customerservice@kidkraft.com
 1.800.933.0771
 972.385.0100



Wood Parts

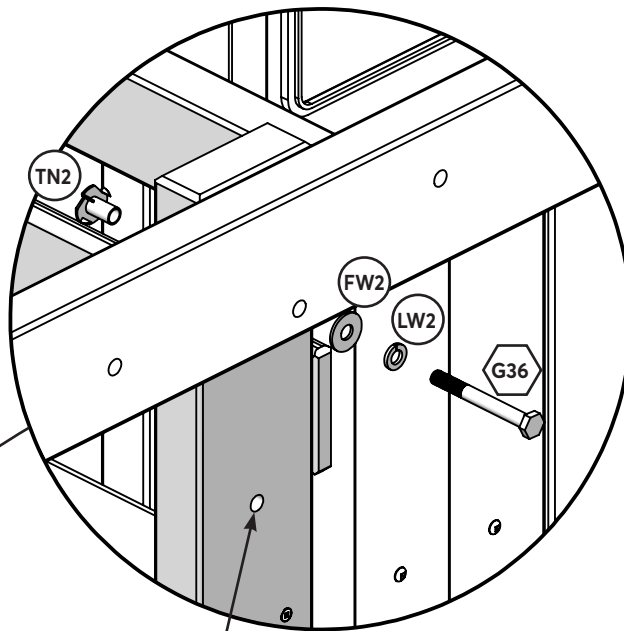
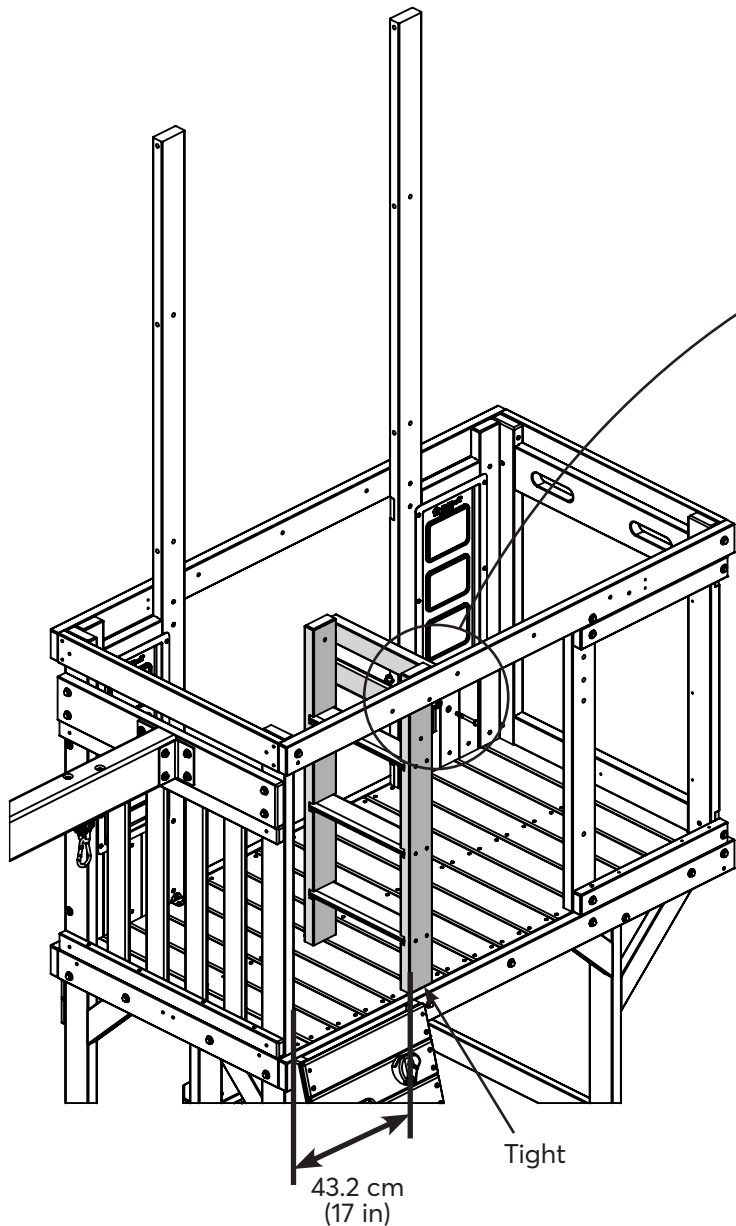
- 1 x 11902 34.9 x 63.5 x 393.7 mm (1 3/8 x 2 1/2 x 15 1/2 in)
- 1 x 11923 15.9 x 76.2 x 393.7 mm (5/8 x 3 x 15 1/2 in)

Hardware

- 4 x S3 #8 x 63.5 mm (#8 x 2-1/2 in)
- 4 x S20 #8 x 34.9 mm (#8 x 1-3/8 in)

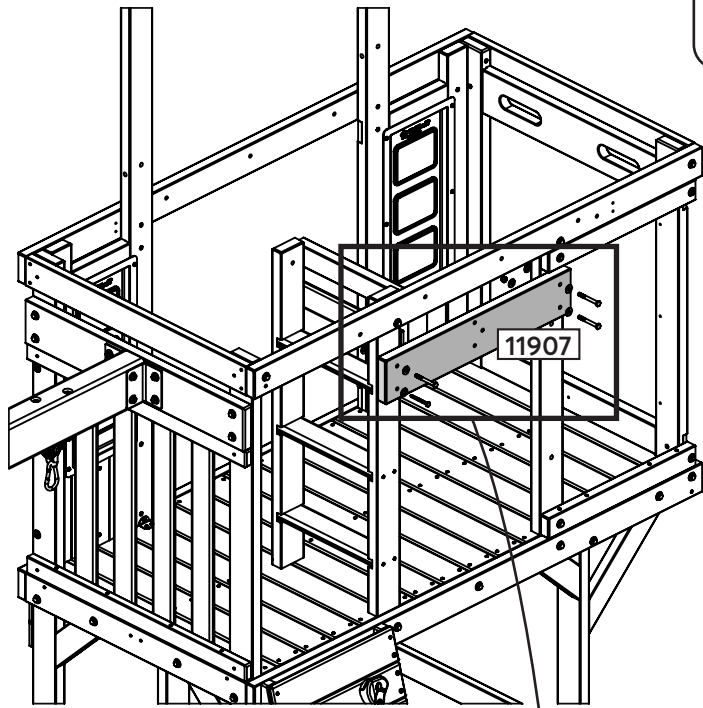
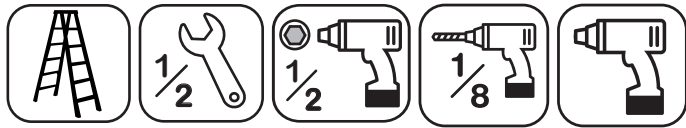


Assemble T-Nut first with hammer!

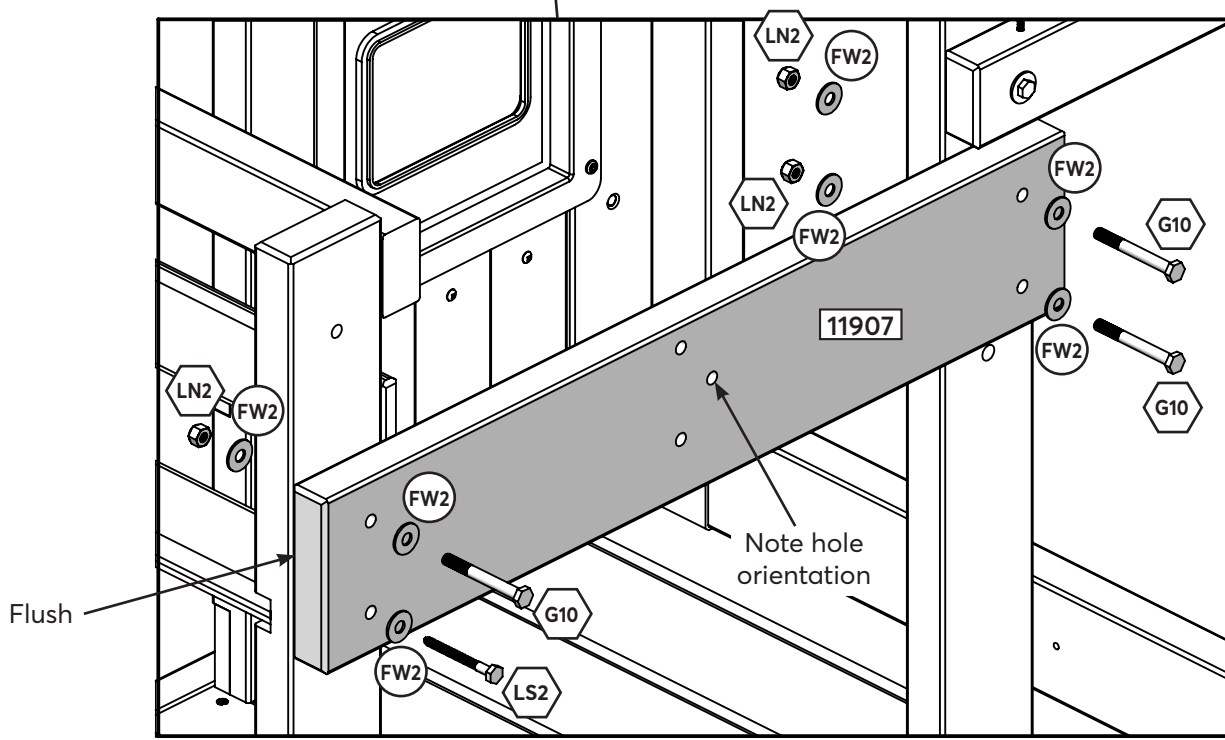


Hardware

1 x 7.9 x 69.9 mm (5/16 x 2-3/4 in) (LW2, FW2, TN2)



Pre-drill each hole using a 1/8 in drill bit for LS2



Wood Parts

1 x 11907 31.8 x 133.4 x 695.3 mm (1 1/4 x 5 1/4 x 27 3/8 in)

Hardware

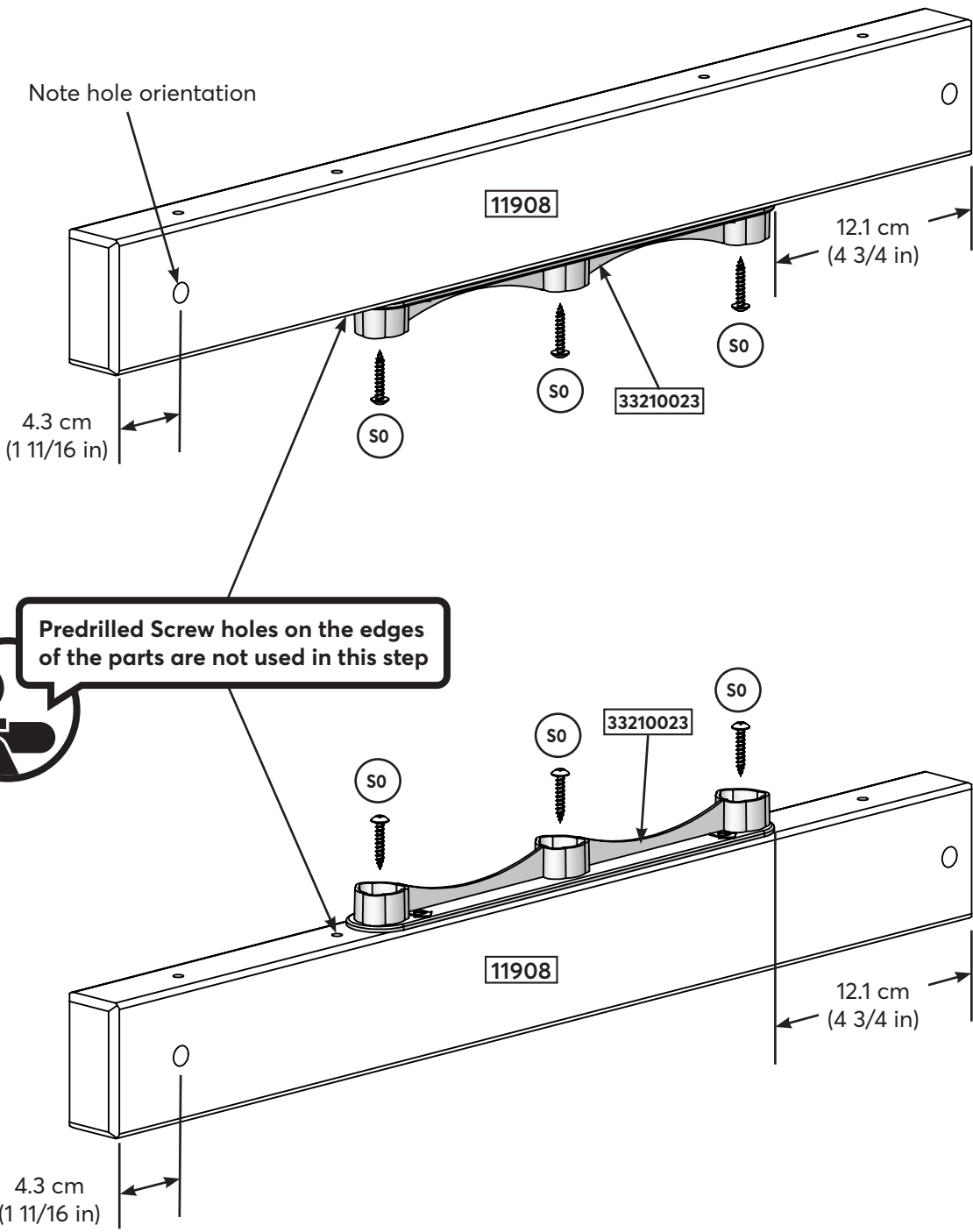
1 x LS2 6.4 x 63.5 mm (1/4 x 2-1/2 in) (FW2)

3 x G10 7.9 x 76.2 mm (5/16 x 3 in) (FW2 x 2, LN2)



kidkraft.com

customerservice@kidkraft.com
1.800.933.0771
972.385.0100



Wood Parts

2 x 11908 31.8 x 63.5 x 552.4 mm (1 1/4 x 2 1/2 x 21 3/4 in)

Hardware

6 x S0 #8 x 22.2 mm (#8 x 7/8 in)

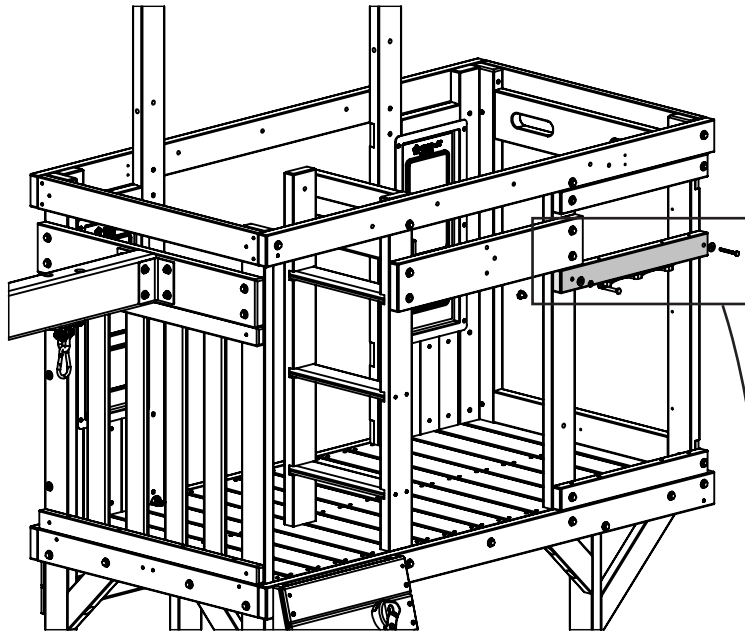
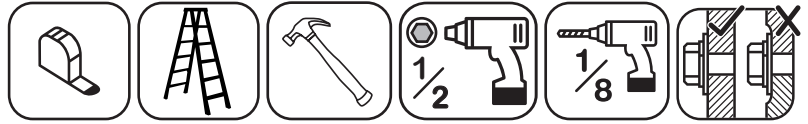
Other Parts

1 x 33210023



kidkraft.com

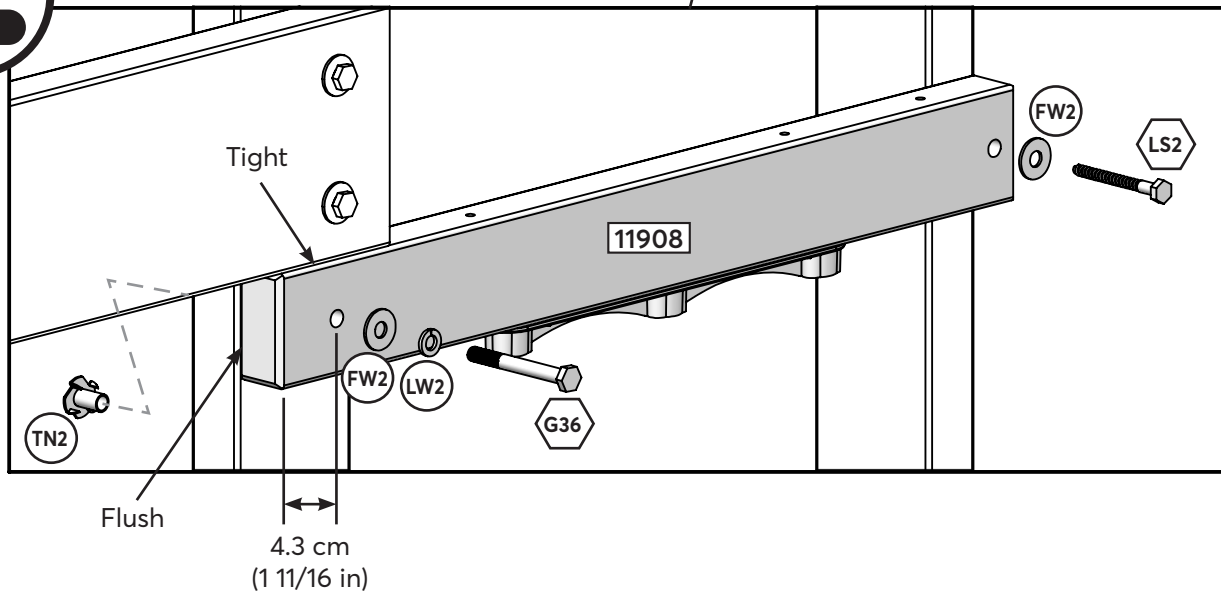
customerservice@kidkraft.com
1.800.933.0771
972.385.0100



Assemble T-Nut first with hammer!
Pre-drill each hole using a 1/8 in drill bit for LS2.



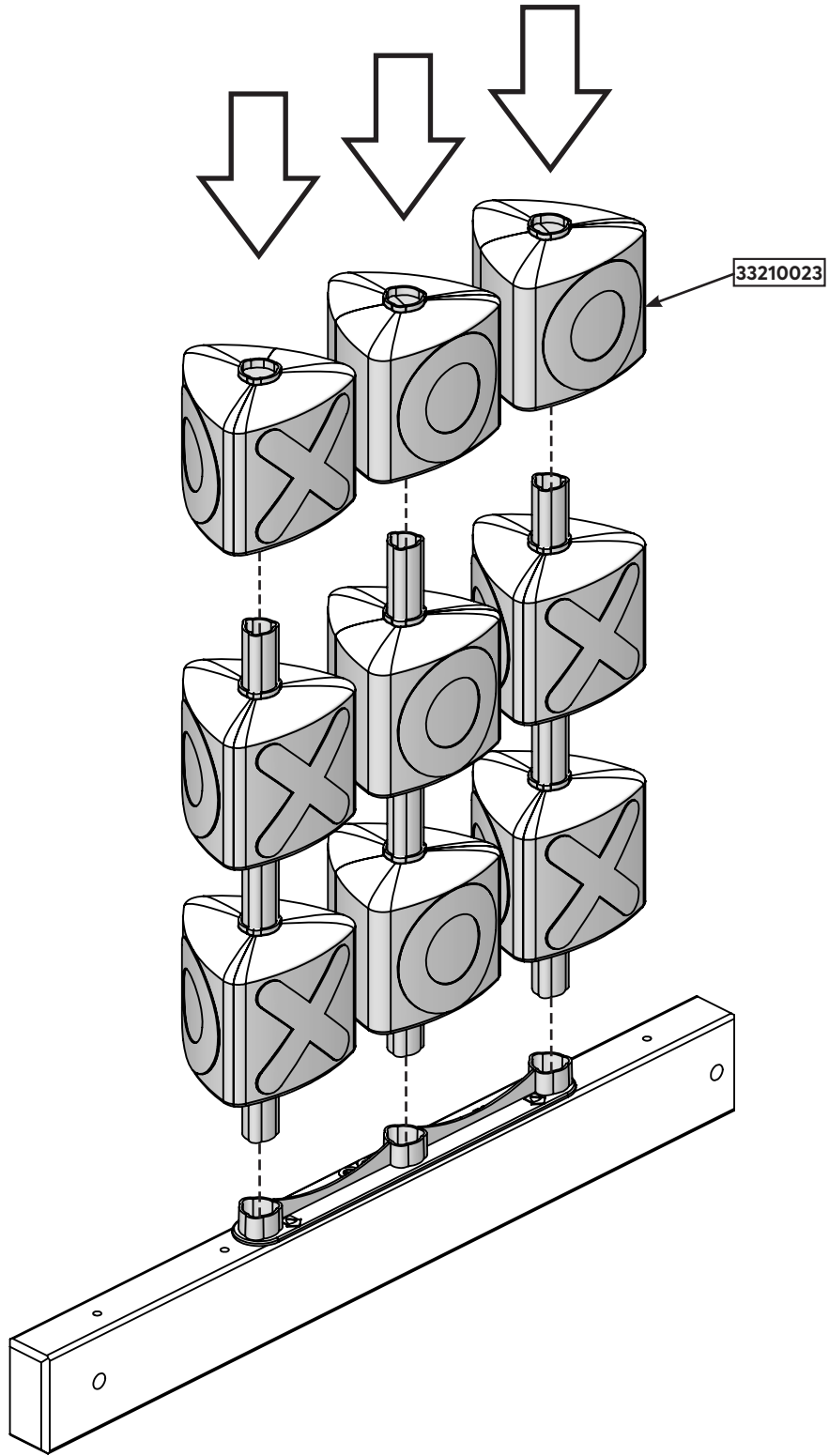
Secure with G36 first but do not fully tighten until the end of the step

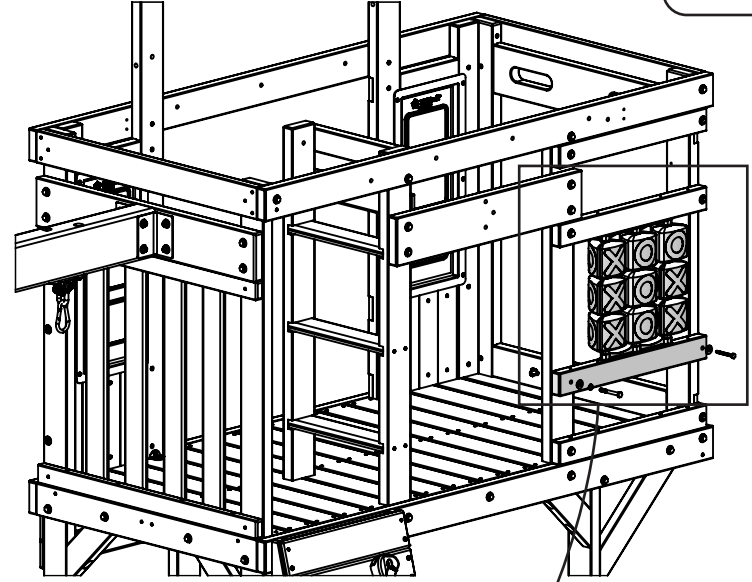
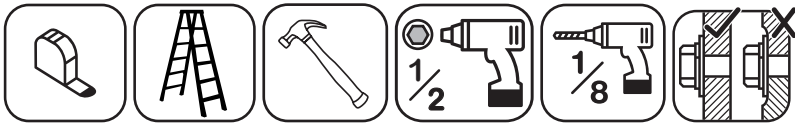


Hardware

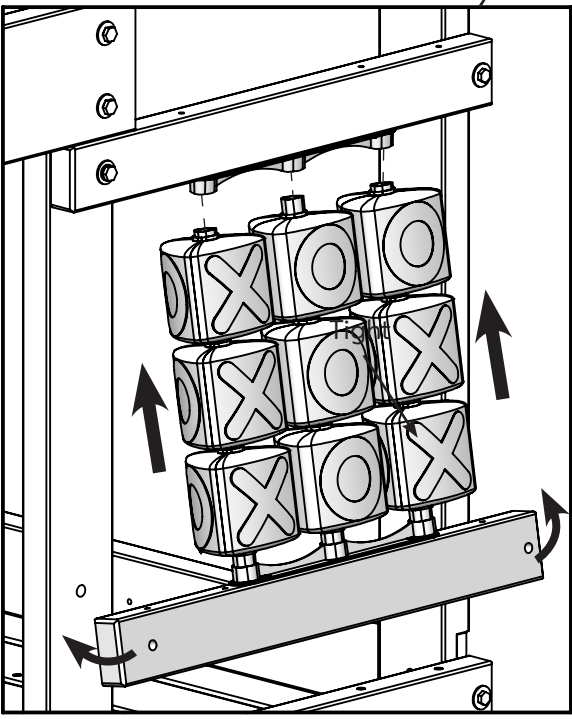
1 x 7.9 x 69.9 mm (5/16 x 2-3/4 in) (LW2, FW2, TN2)

1 x 6.4 x 63.5 mm (1/4 x 2-1/2 in) (FW2)

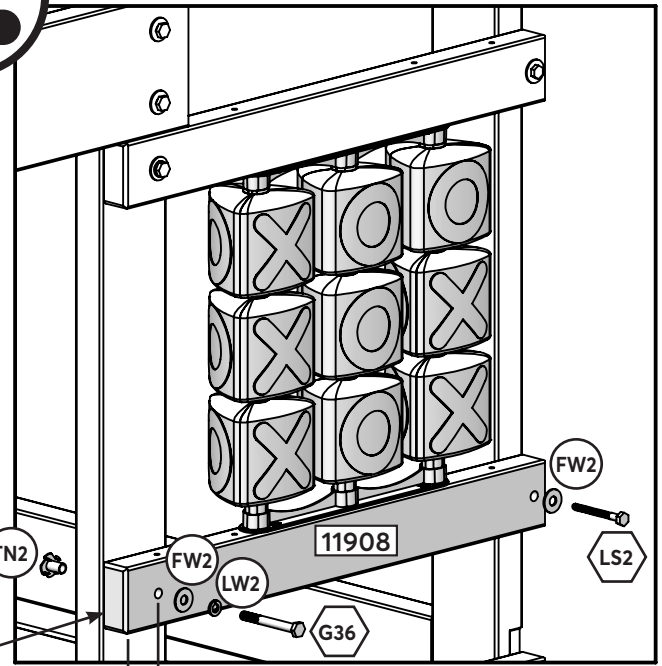
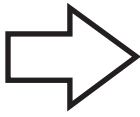




Assemble T-Nut first with hammer!
Pre-drill each hole using a 1/8 in drill bit for LS2.



Secure with G36 first but do not fully tighten until the end of the step



Flush

4.3 cm
(1 11/16 in)

Hardware

1 x G36 7.9 x 69.9 mm (5/16 x 2-3/4 in) (LW2, FW2, TN2)

1 x LS2 6.4 x 63.5 mm (1/4 x 2-1/2 in) (FW2)

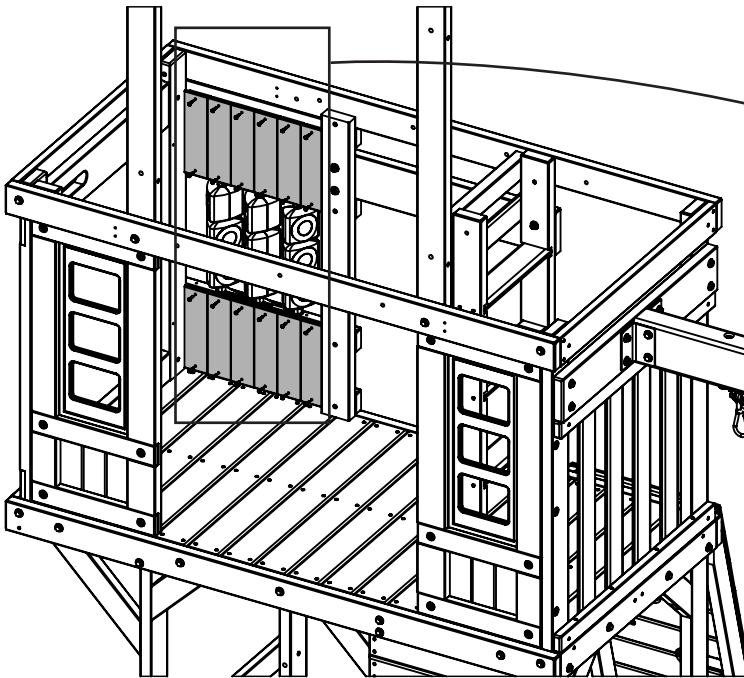
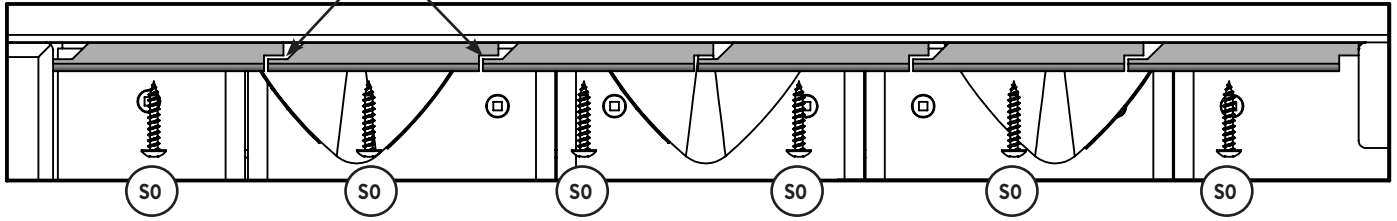
60

Evenly space the boards



Panels overlap as shown

Top View



S0
x 2 per board

11909
x 6

Flush

S0
x 2 per board

11909
x 6

Tight

Wood Parts

12 x 11909 9.5 x 76.2 x 250.8 mm (3/8 x 3 x 9 7/8 in)

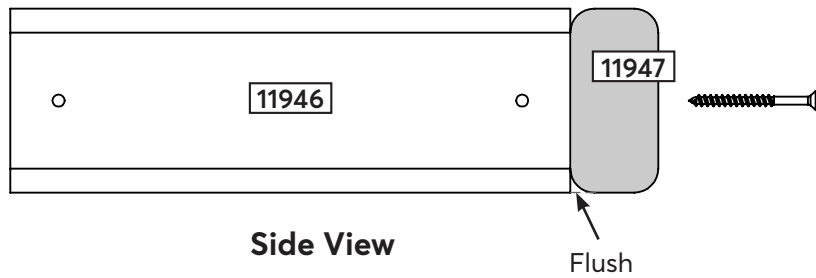
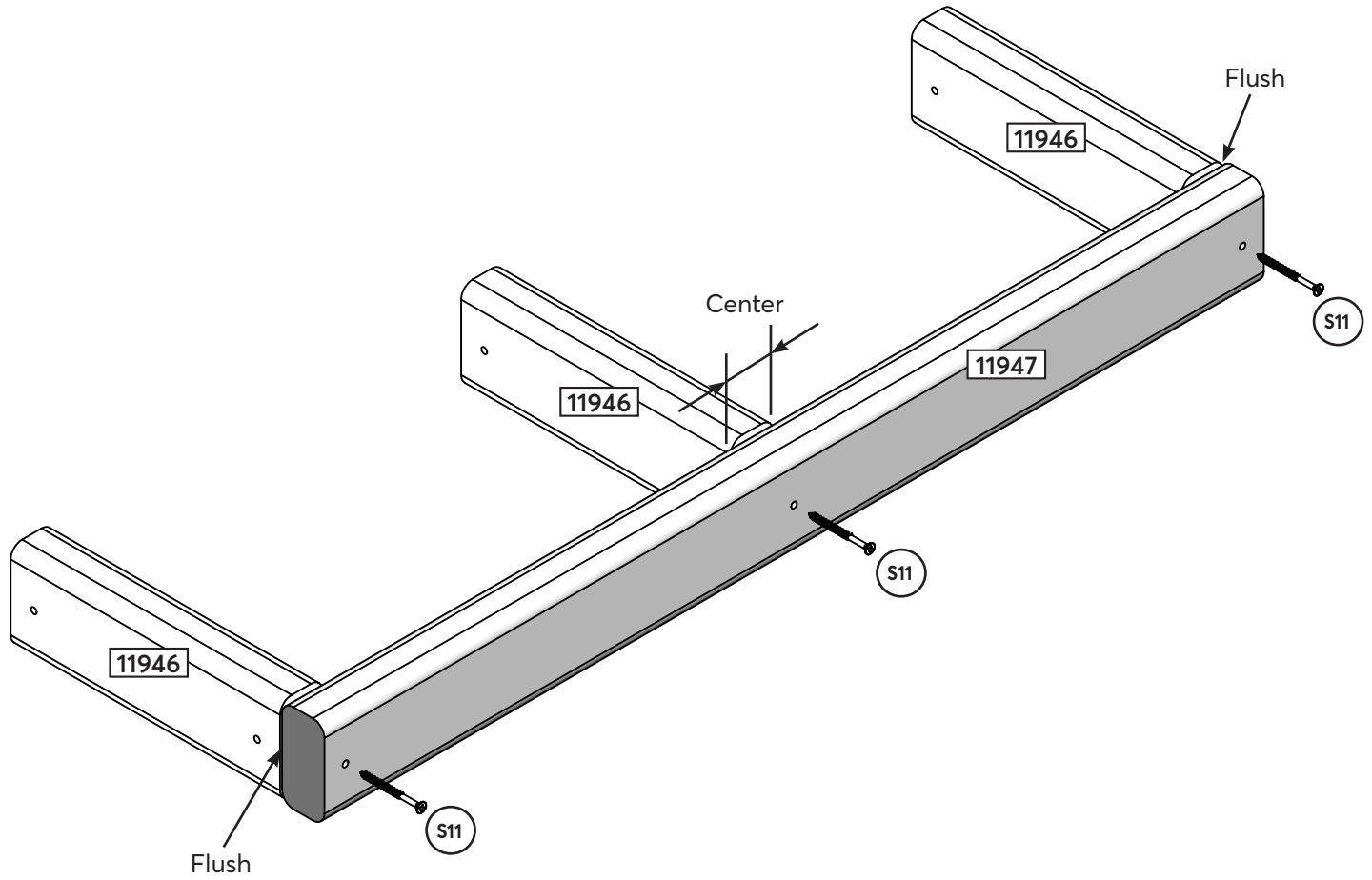
Hardware

24 x S0 #8 x 22.2 mm (#8 x 7/8 in)



kidkraft.com

customerservice@kidkraft.com
1.800.933.0771
972.385.0100



Wood Parts

- 3 x 11946 34.9 x 73 x 222.2 mm (1 3/8 x 2 7/8 x 8 3/4 in)
- 1 x 11947 34.9 x 73 x 774.7 mm (1 3/8 x 2 7/8 x 30 1/2 in)

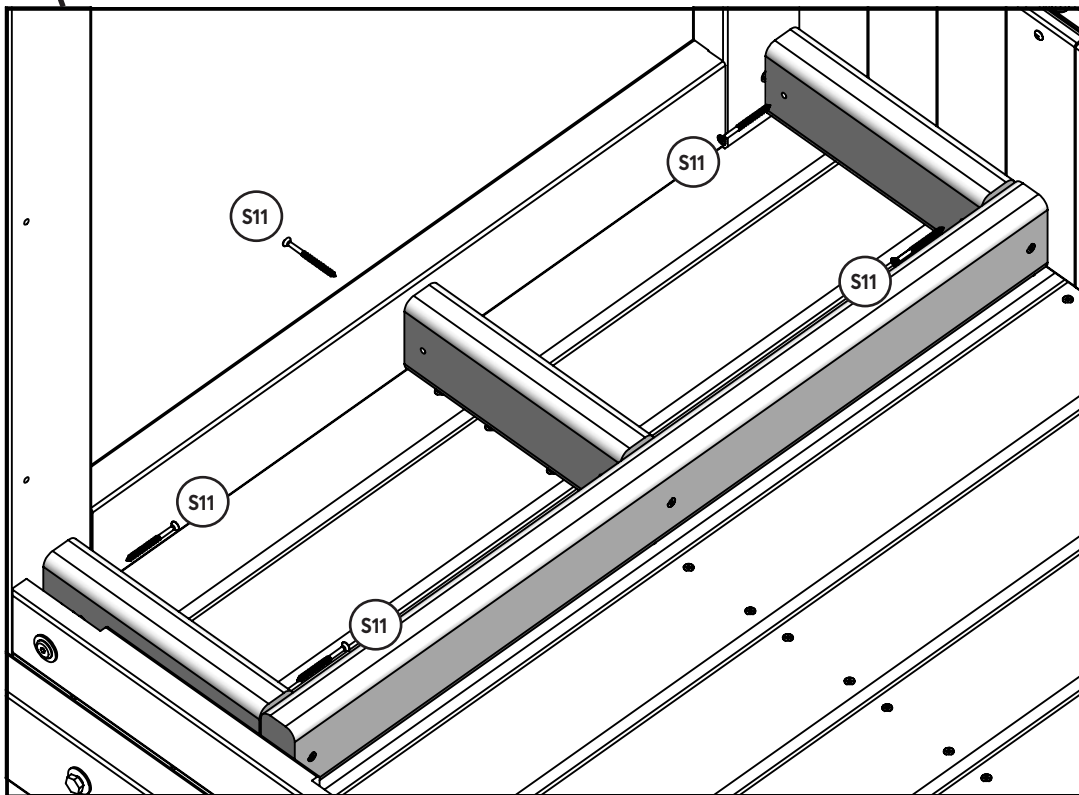
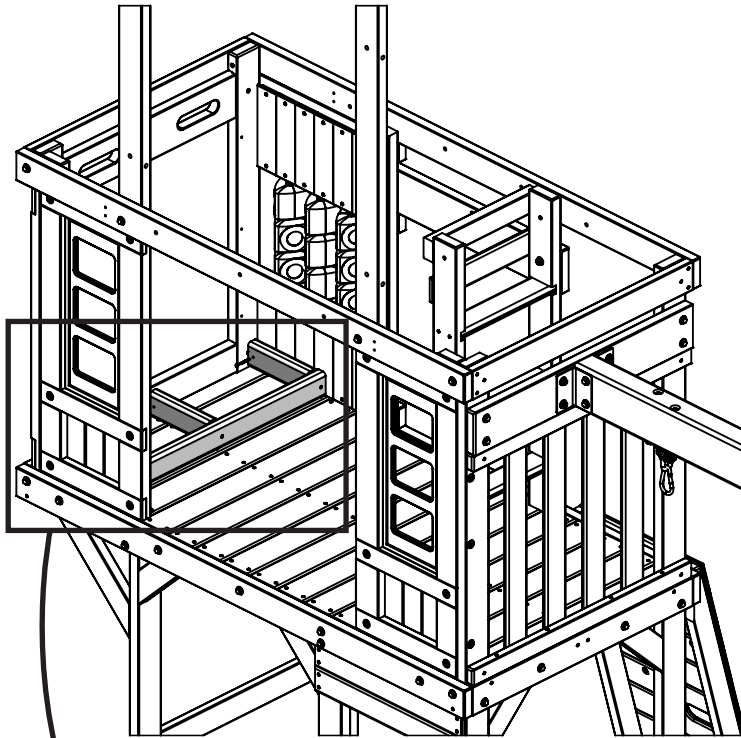
Hardware

- 3 x S11 #8 x 50.8 mm (#8 x 2 in)



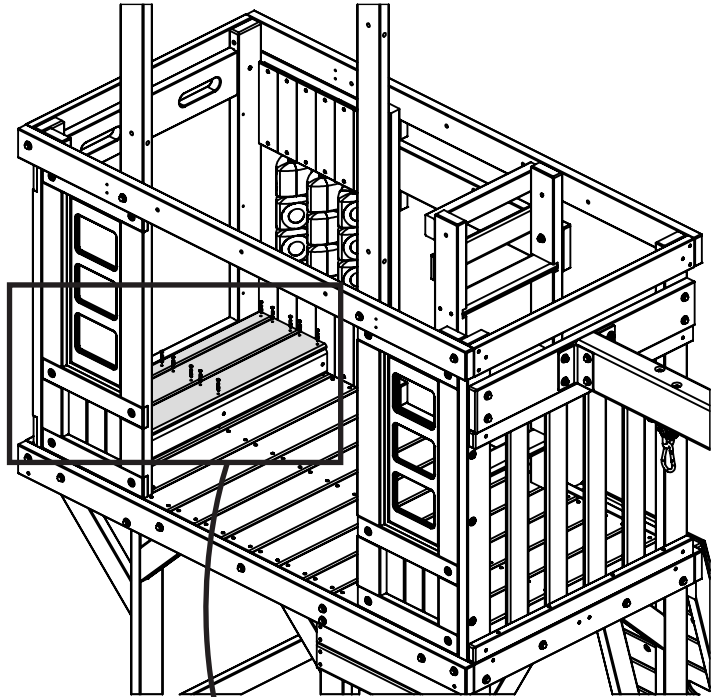
kidkraft.com

customerservice@kidkraft.com
 1.800.933.0771
 972.385.0100

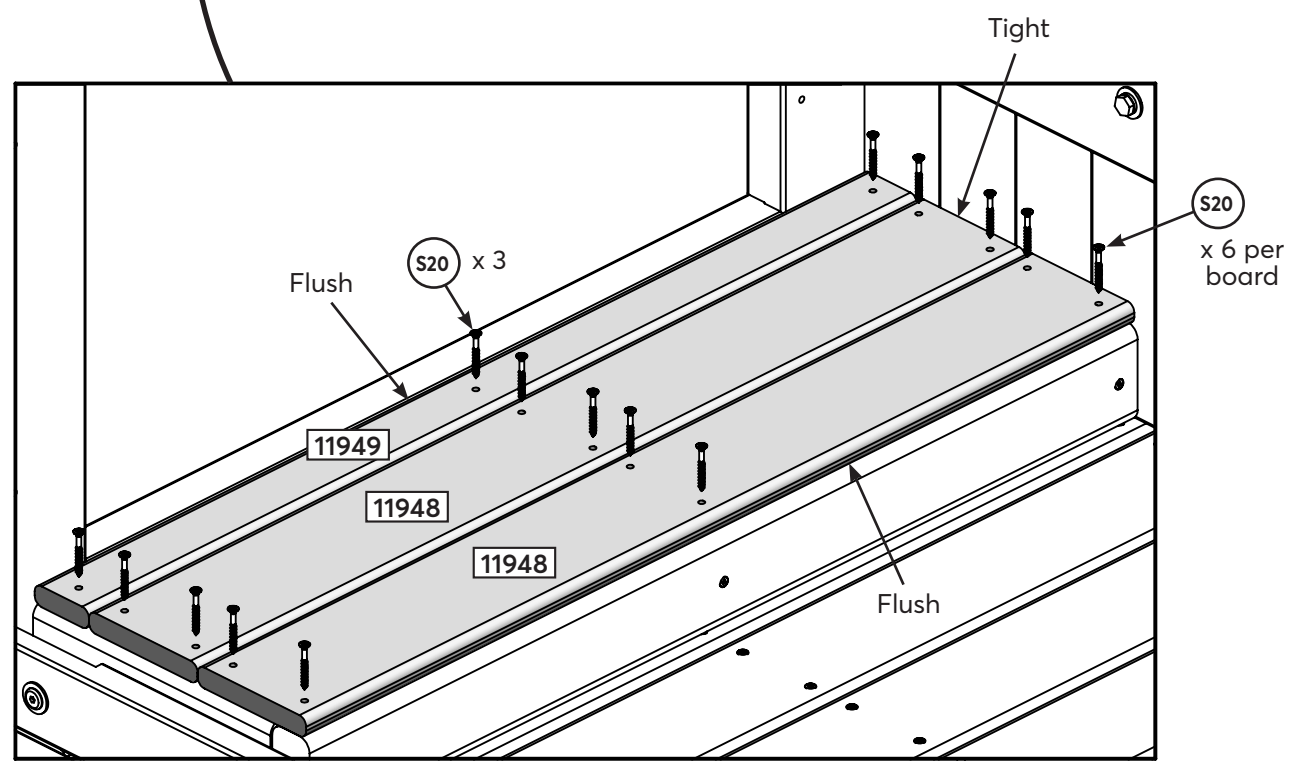


Hardware

5 x  #8 x 50.8 mm (#8 x 2 in)



Evenly space the boards



Wood Parts

- 2 x 11948 15.9 x 101.6 x 774.7 mm (5/8 x 4 x 30 1/2 in)
- 1 x 11949 15.9 x 50.8 x 774.7 mm (5/8 x 2 x 30 1/2 in)

Hardware

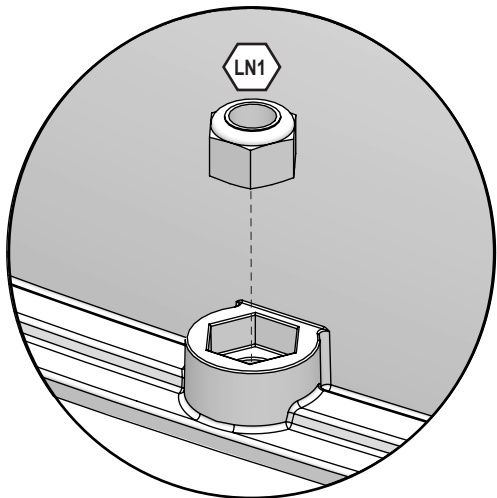
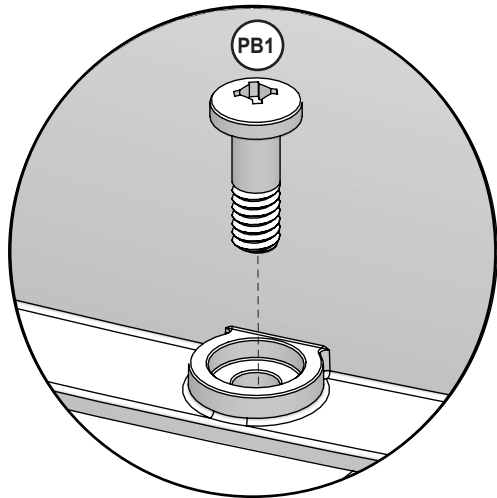
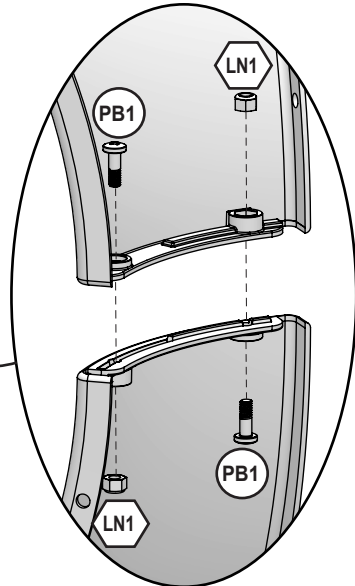
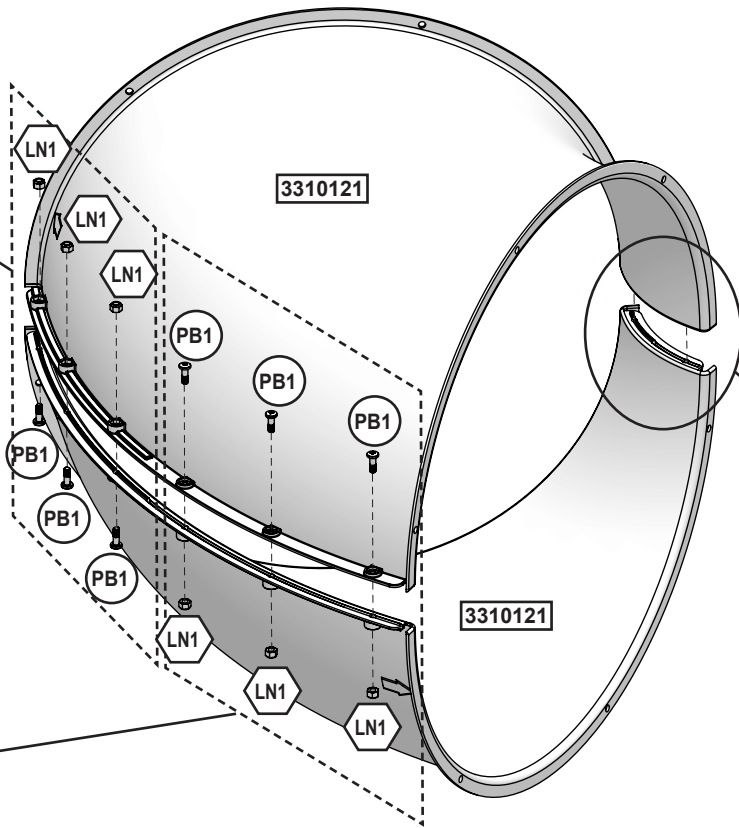
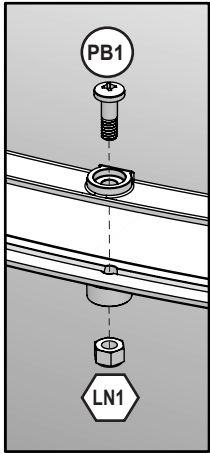
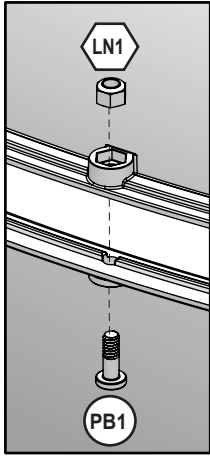
- 15 x S20 #8 x 34.9 mm (#8 x 1-3/8 in)



kidkraft.com

customerservice@kidkraft.com
 1.800.933.0771
 972.385.0100

Complete this step four times

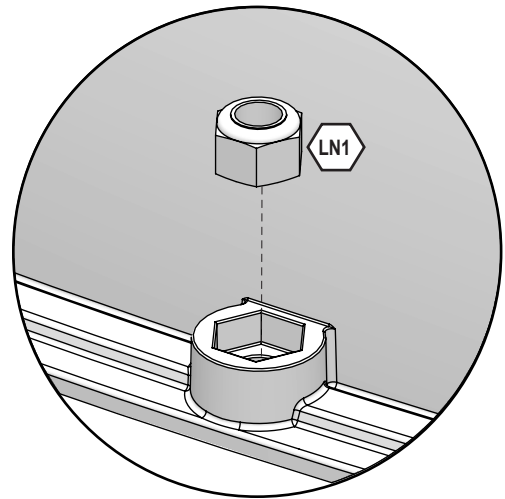
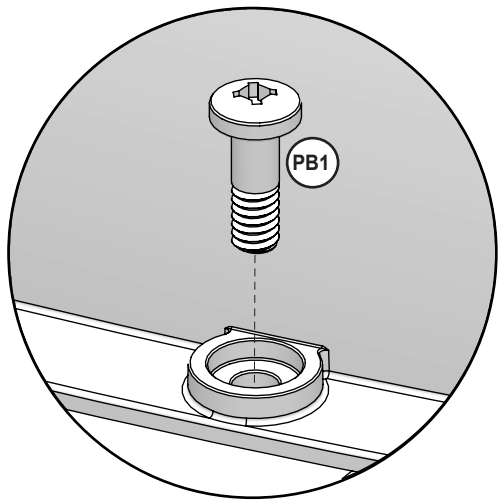
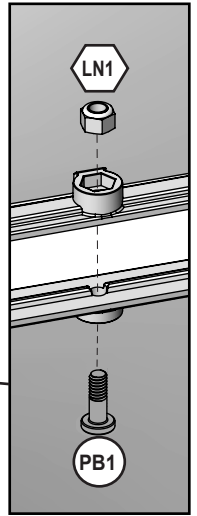
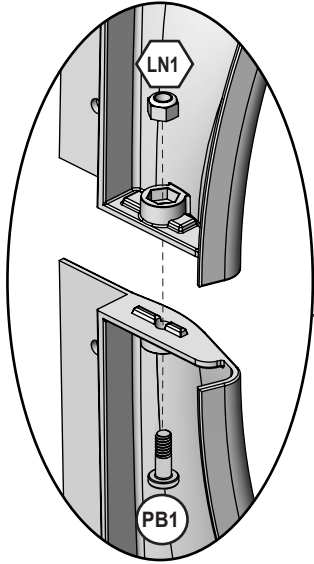
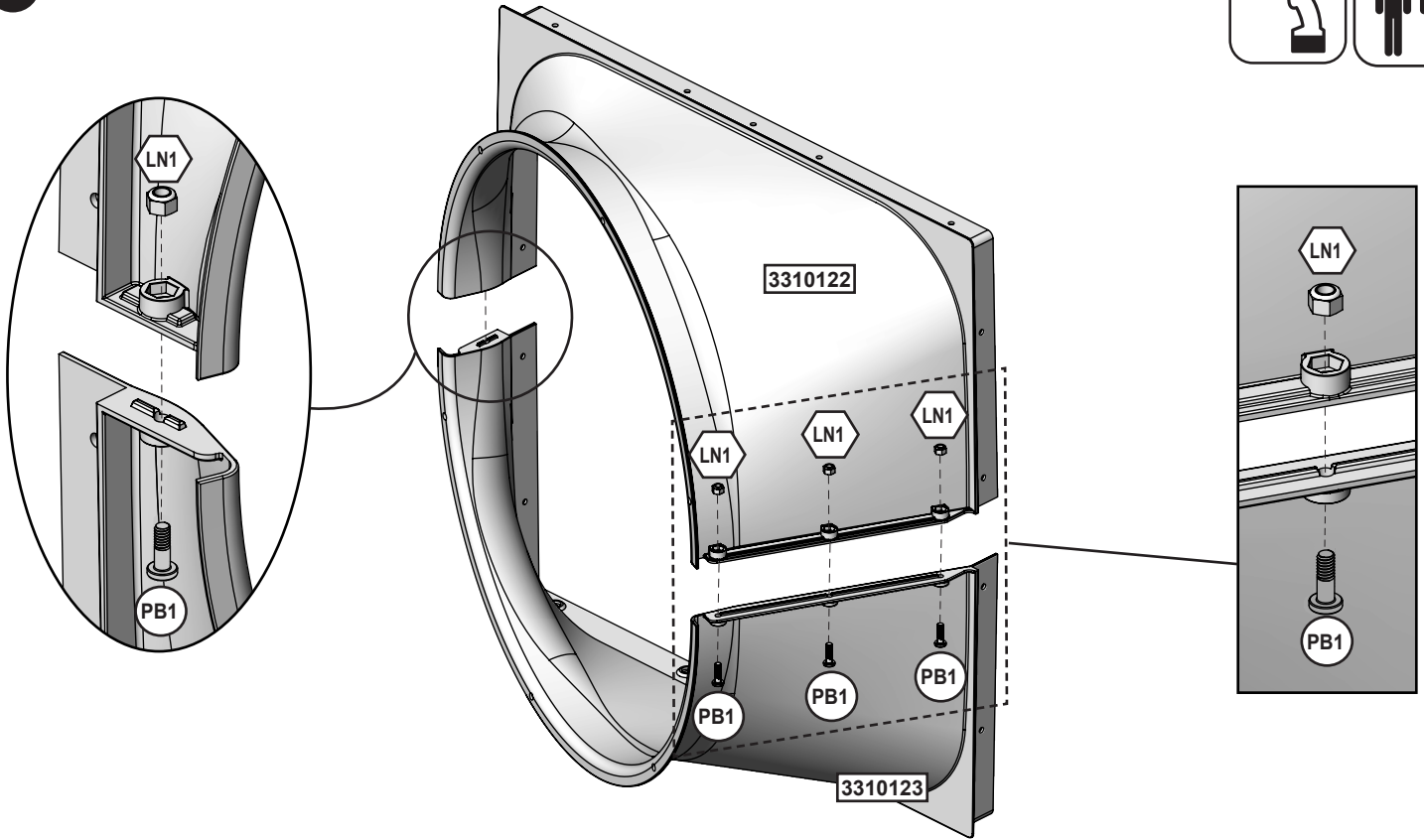


Hardware

32 x (PB1) 6.3 x 19 mm (1/4 x 3/4 in) (LN1)

Other Parts

8 x 3310121



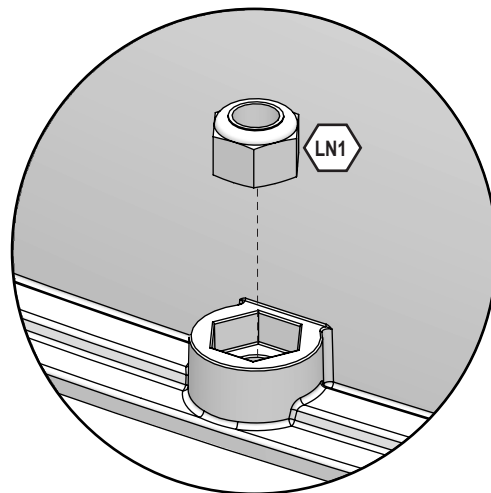
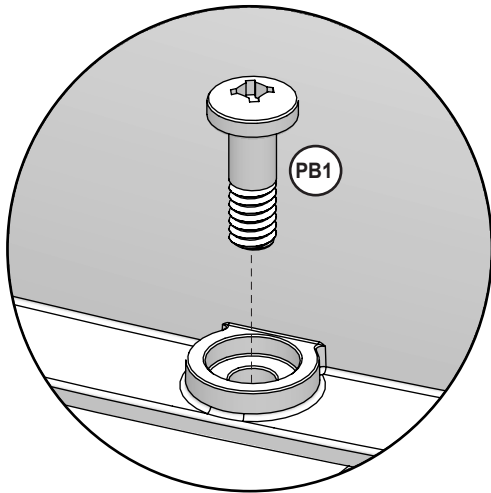
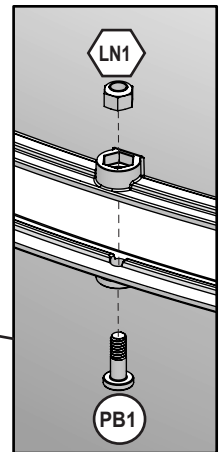
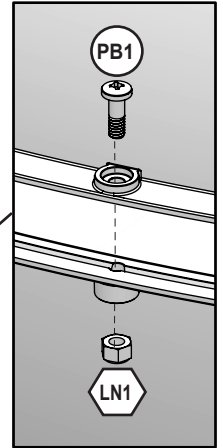
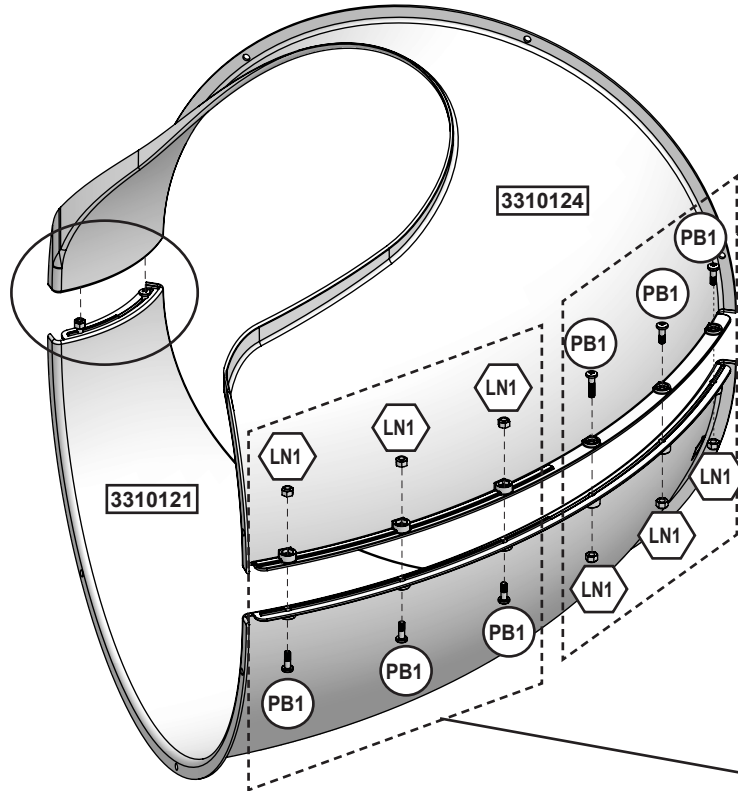
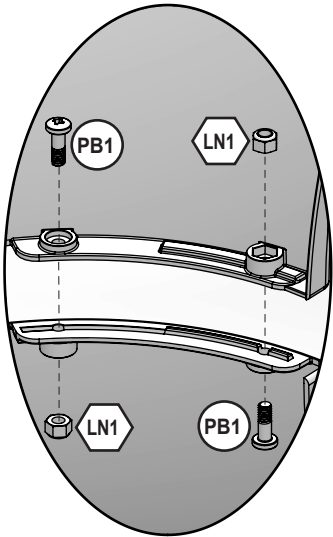
Hardware

4 x 6.3 x 19 mm (1/4 x 3/4 in) (LN1)

Other Parts

1 x

1 x



Hardware

8 x 6.3 x 19 mm (1/4 x 3/4 in) (LN1)

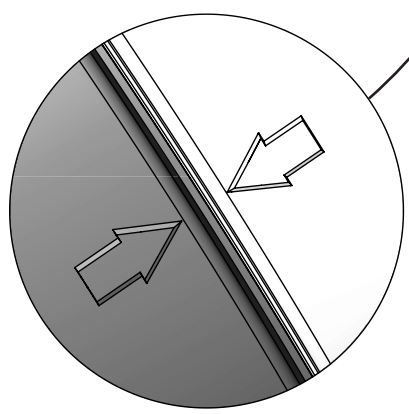
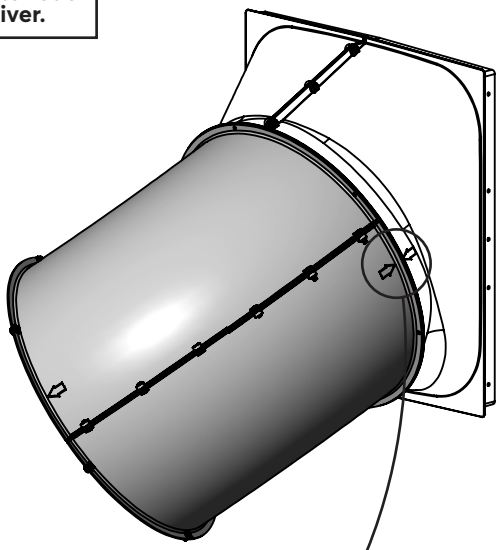
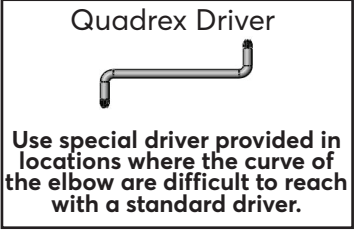
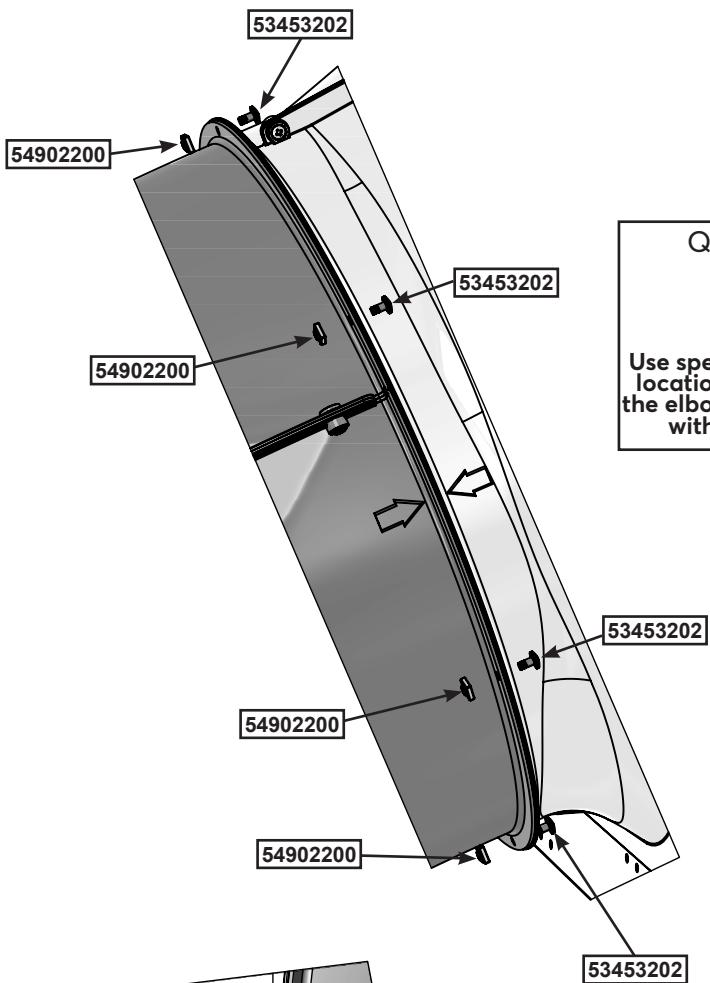
Other Parts

1 x

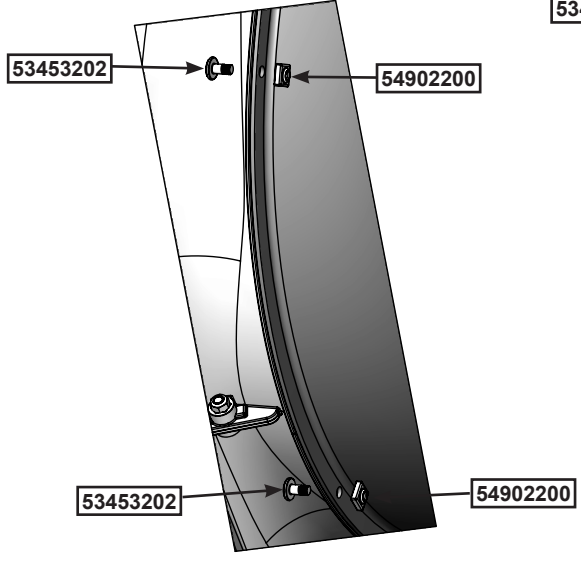
1 x



Note: Keep all bolts loose until further step.
Use Quadrex Driver as a guide pin for each hole before inserting bolt.

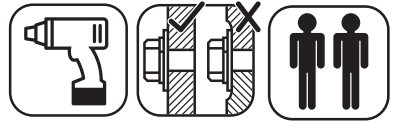


Align each elbow using the molded arrows.

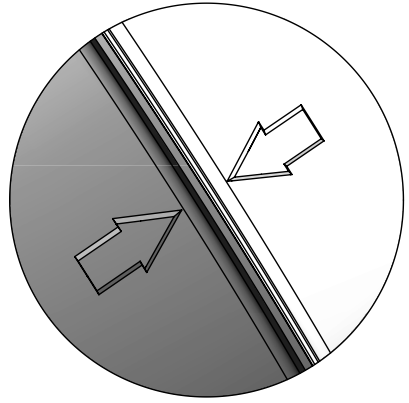
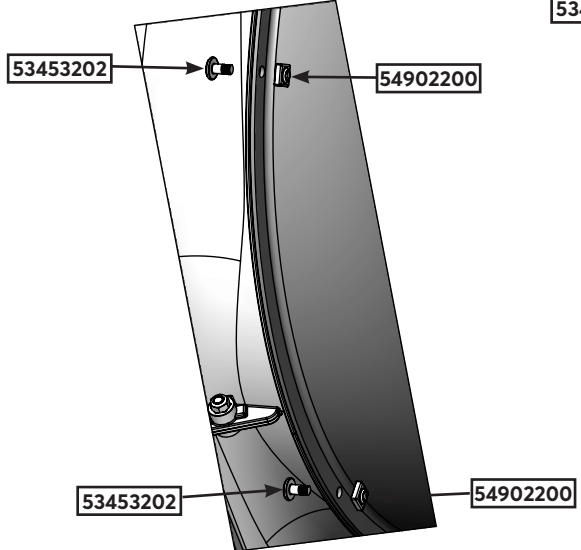
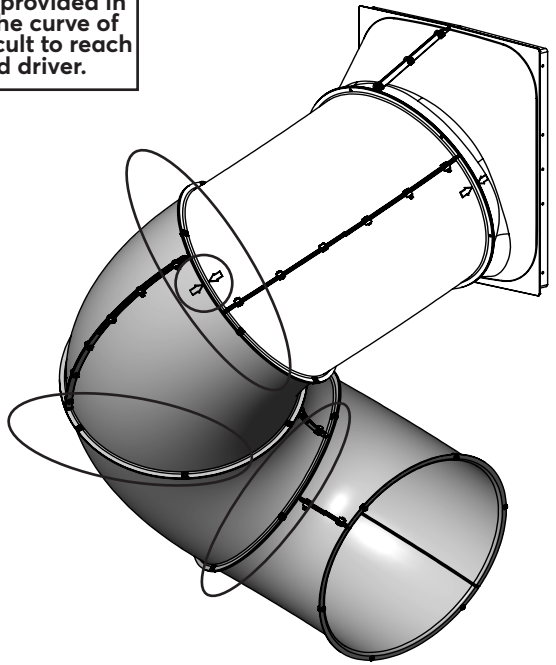
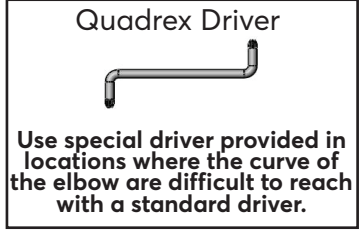
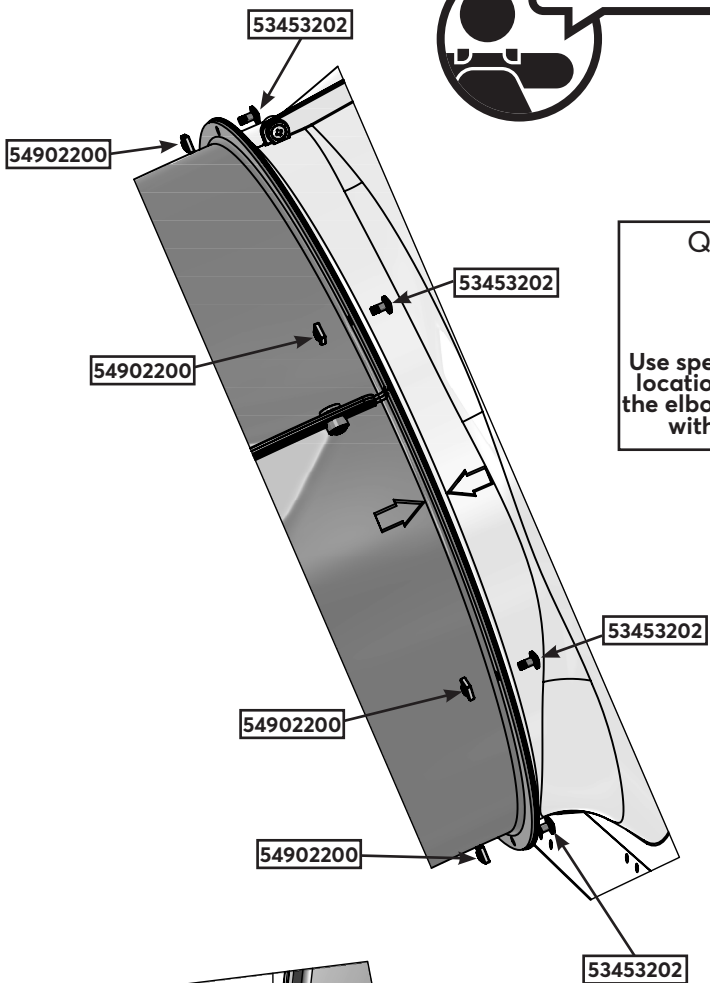


- Other Parts**
- 6 x 54902200
 - 6 x 53453202 1/4 x 12.7 mm

Complete this three times



Note: Keep all bolts loose until further step. Use Quadrex Driver as a guide pin for each hole before inserting bolt.

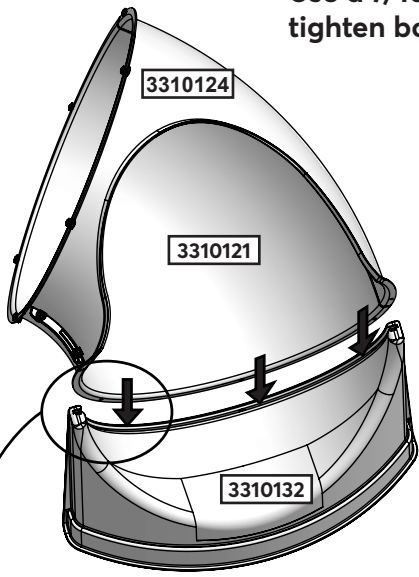


Align each elbow using the molded arrows.

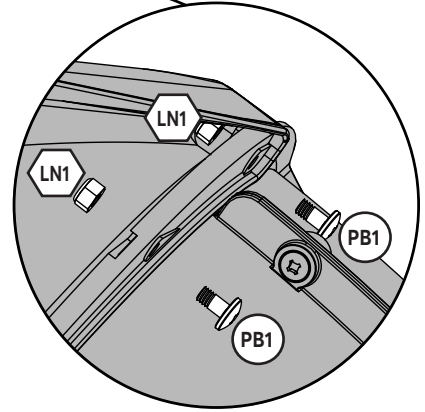
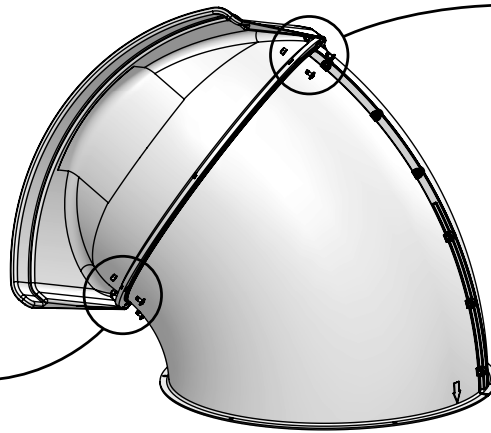
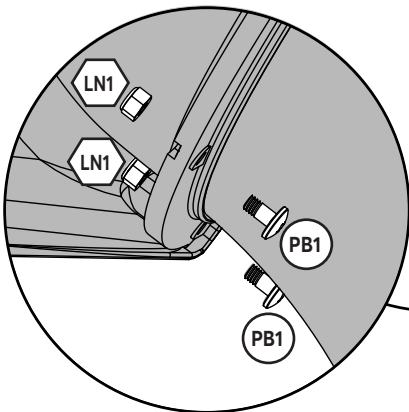
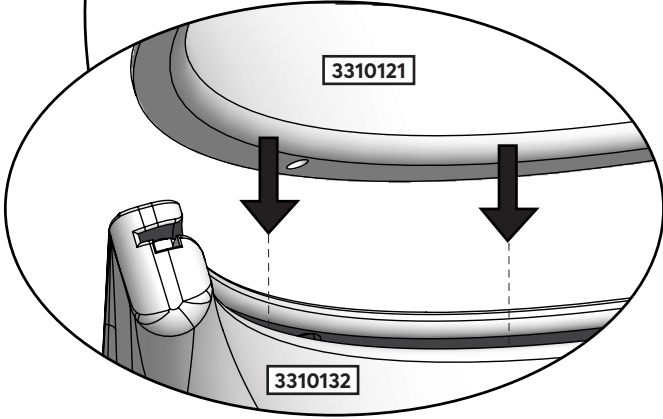
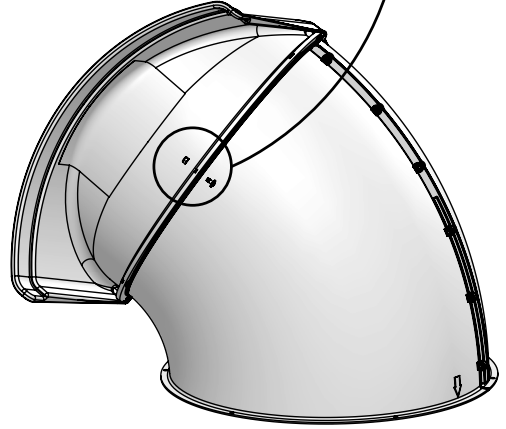
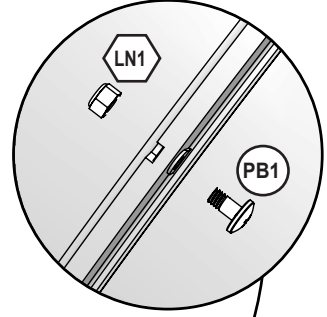
Other Parts

- 18 x 54902200
- 18 x 53453202 1/4 x 12.7 mm

Use a 7/16 open end wrench to hold nut and then tighten bolt with Quadrex Driver.



Rotate Slide Exit



Hardware

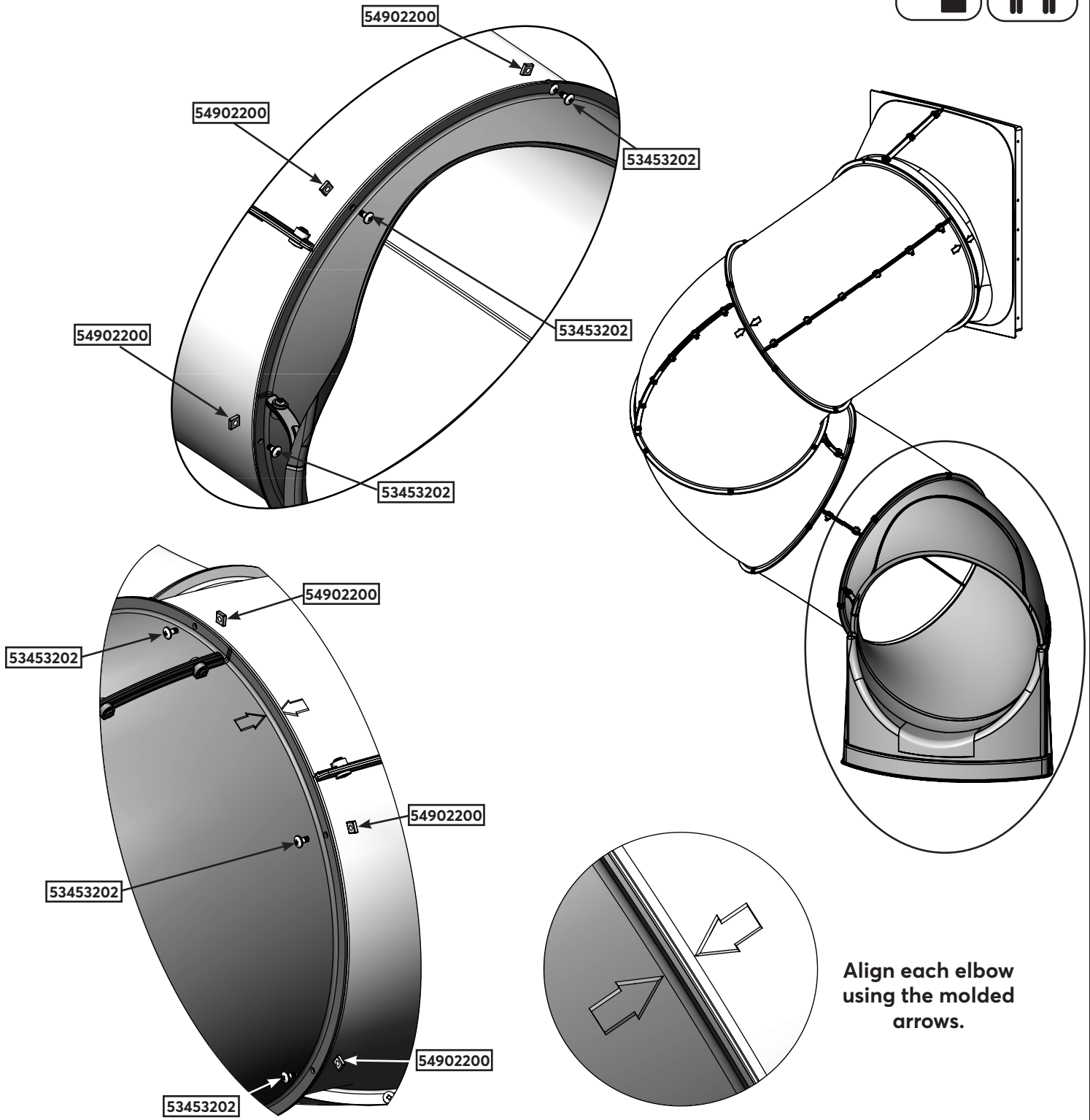
5 x 6.4 x 19 mm (1/4 x 3/4 in) (LN1)

Other Parts

1 x

70

Tighten all slide bolts before the clamp rings go on in the next step.



Align each elbow using the molded arrows.

Other Parts

- 6 x 54902200
- 6 x 53453202 1/4 x 12.7 mm

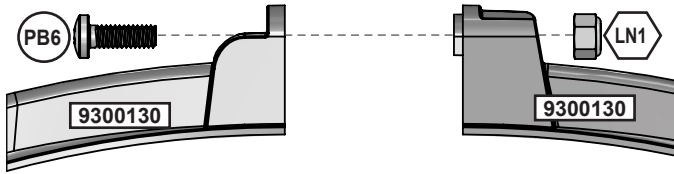


kidkraft.com

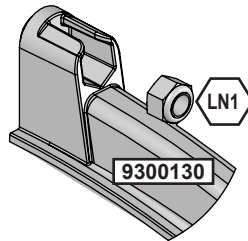
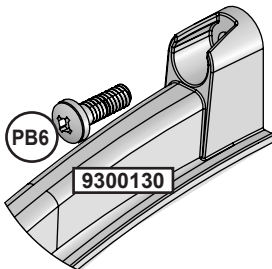
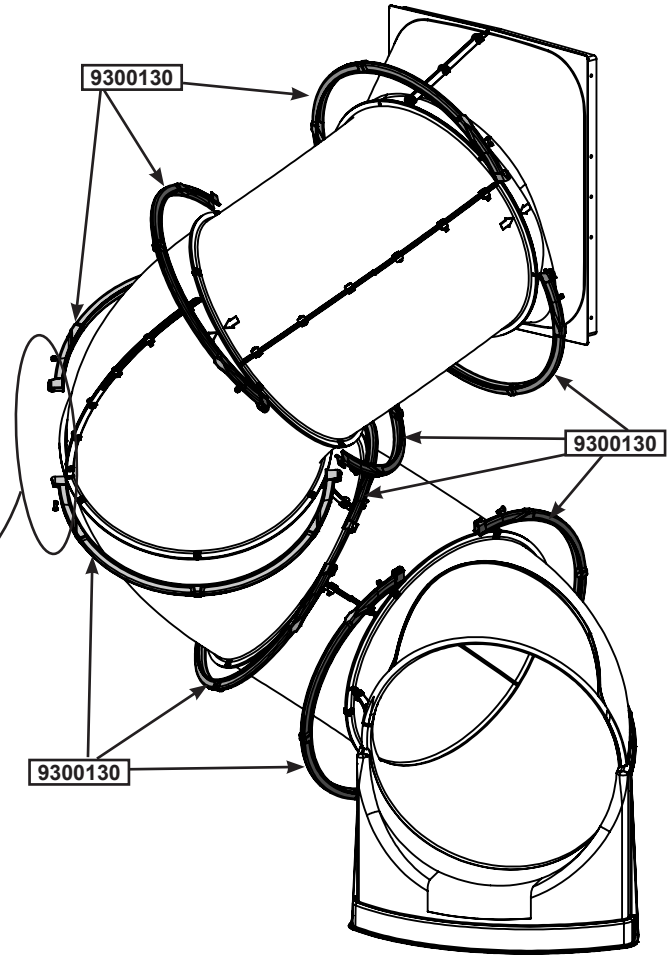
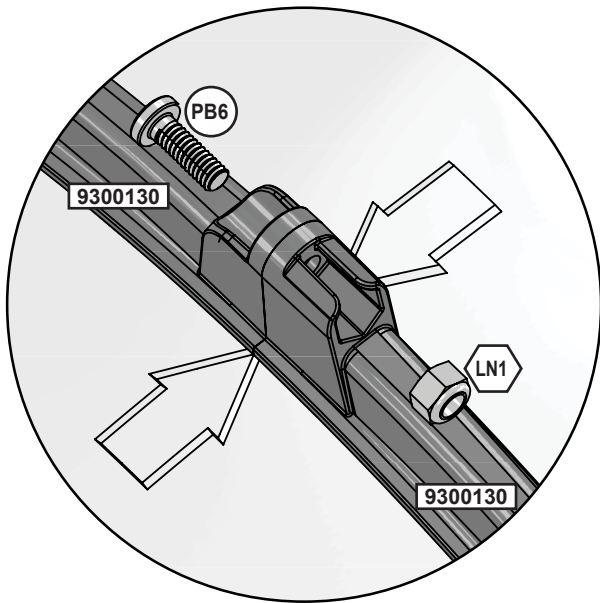
customerservice@kidkraft.com
1.800.933.0771
972.385.0100



Warning. Do not over tighten the clamp rings.



After the clamp rings are attached to the elbows, fasten them end to end with two pan bolts and lock nuts



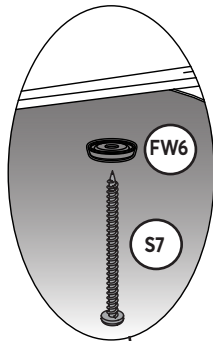
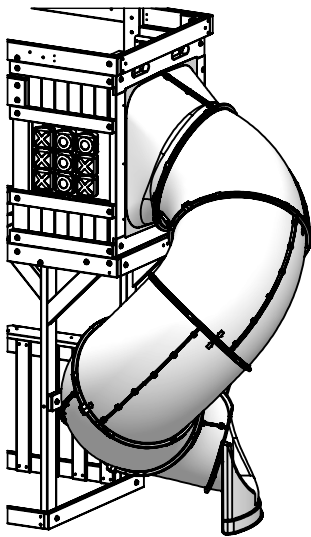
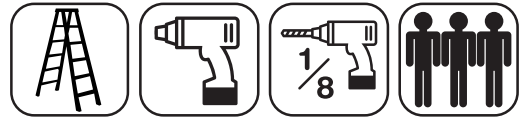
Note: For ease of assembly, bottom set of clamp rings can be rotated 90 degrees to install bolts.

Hardware

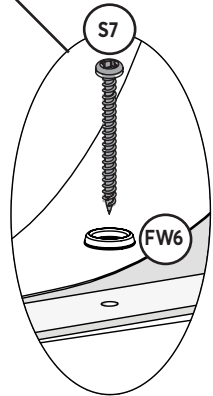
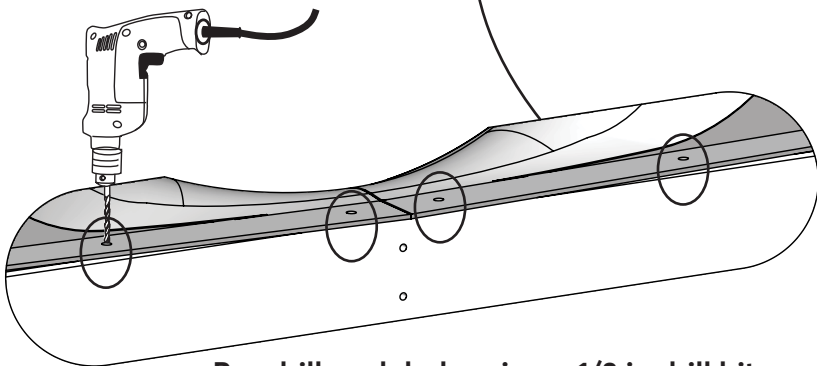
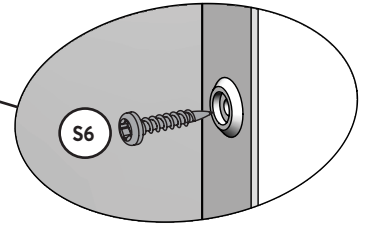
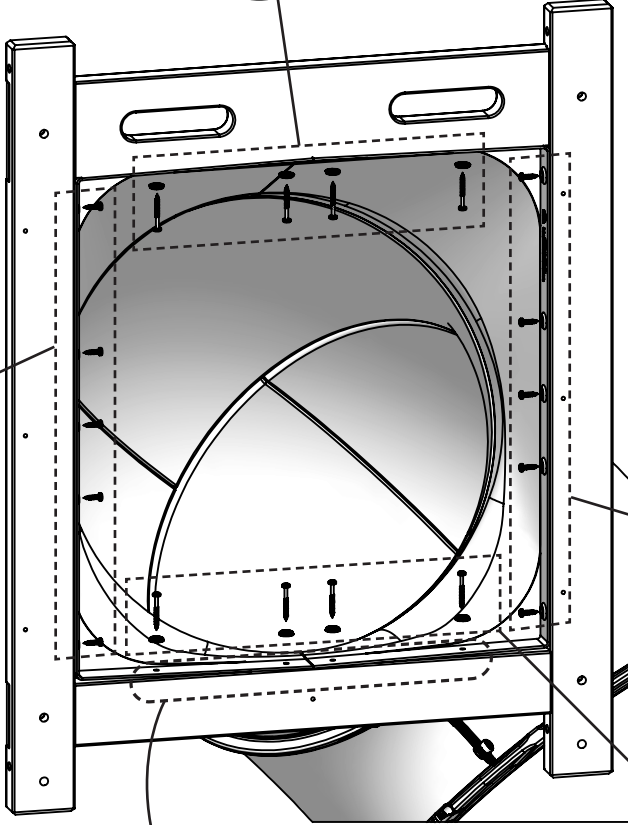
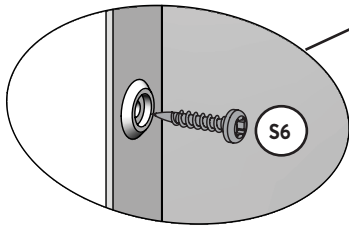
10 x (PB6) 6.4 x 25.4 mm (1/4 x 1 in) (LN1)

Other Parts

10 x (9300130)






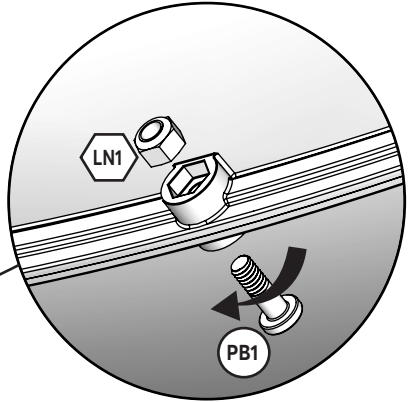
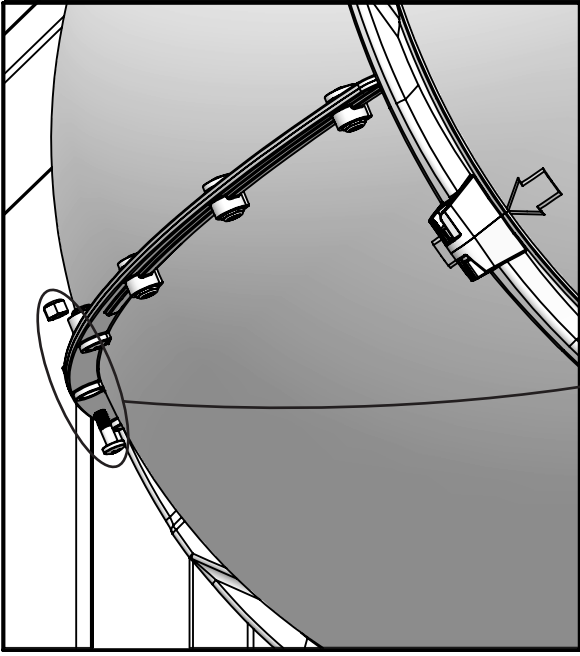
Pre-drill each hole using a 1/8 in drill bit. Making sure the pre-drilled holes are a minimum of 1 in deep.



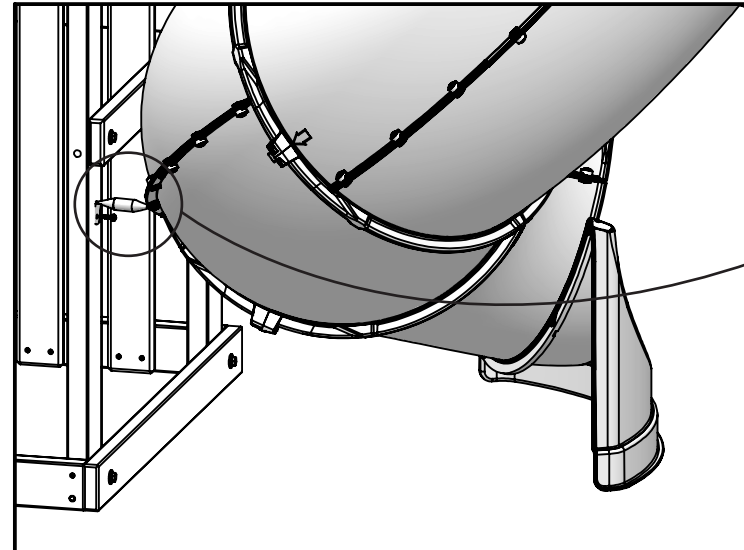
Pre-drill each hole using a 1/8 in drill bit. Making sure the pre-drilled holes are a minimum of 1 in deep.

Hardware

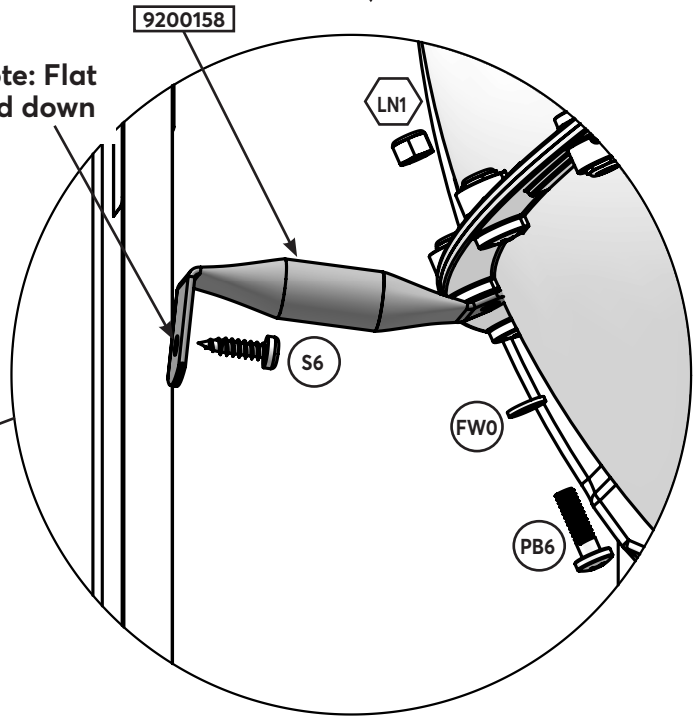
- 10 x  #12 x 25.4 mm (#12 x 1 in)
- 8 x  #12 x 50.8 mm (#12 x 2 in)
- 8 x  #12



Remove PB1 (1/4 x 3/4 Pan Bolt), The bolt (PB1) will no longer be needed, but keep the lock nut (LN1)



Note: Flat end down



Install PB6 (1/4 x 1 Pan Bolt) with flat washer (FW0)

Hardware

- 1 x PB6 6.4 x 25.4 mm (1/4 x 1 in) (FW0)
- 1 x S6 #12 x 25.4 mm (#12 x 1 in)

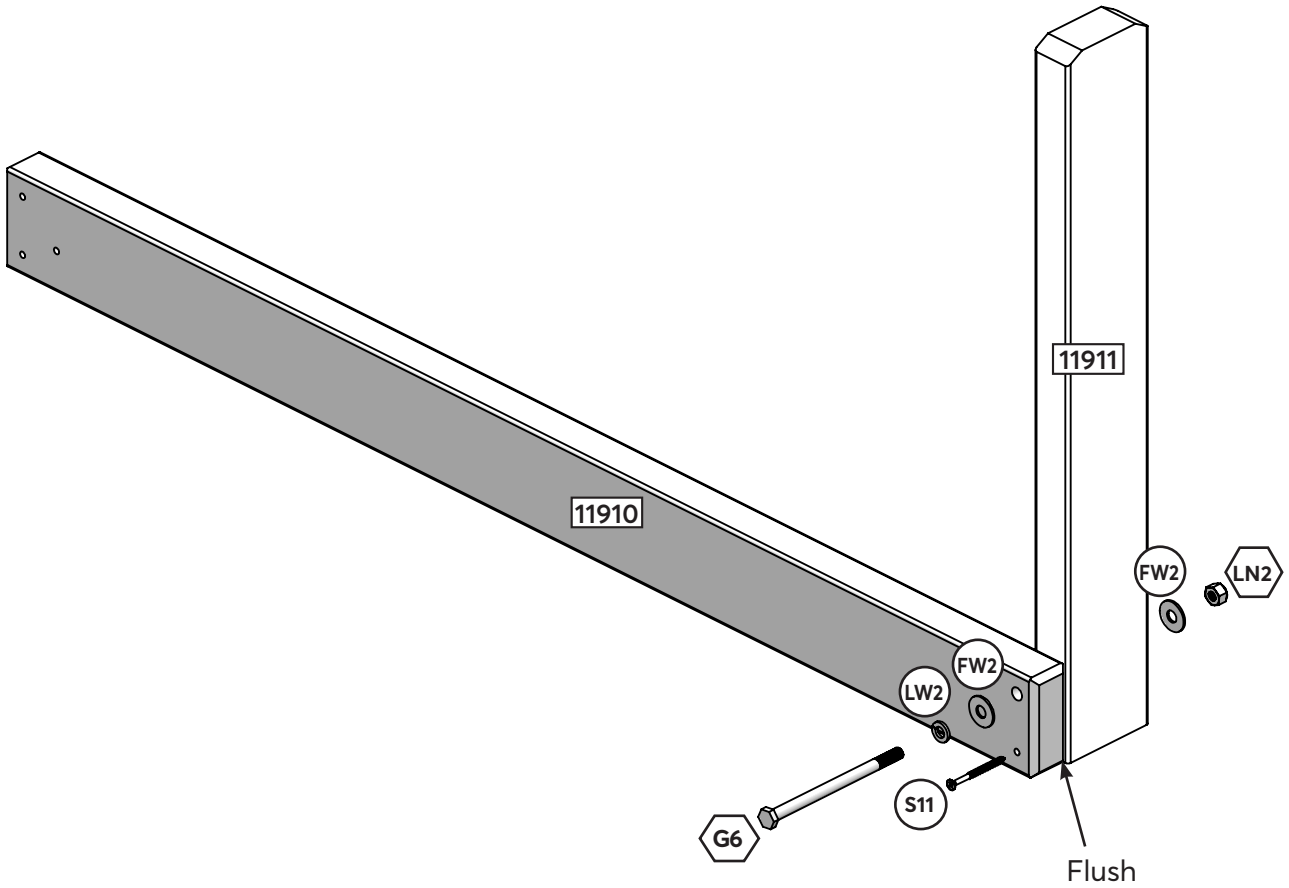
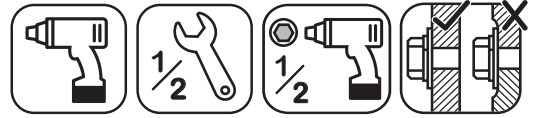
Other Parts

- 1 x 9200158



kidkraft.com

customerservice@kidkraft.com
1.800.933.0771
972.385.0100

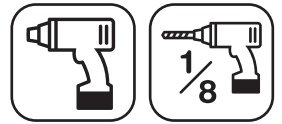


Wood Parts

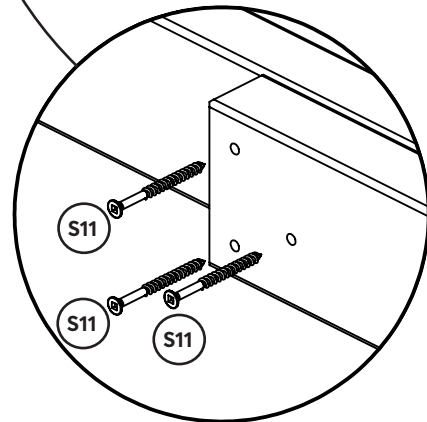
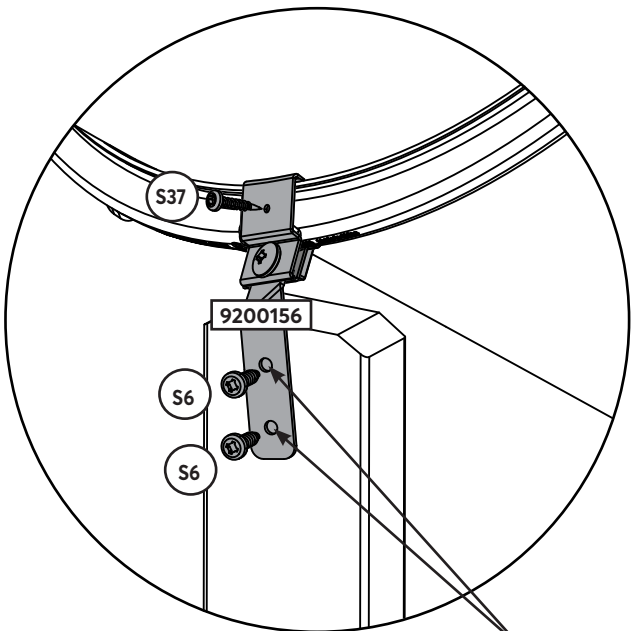
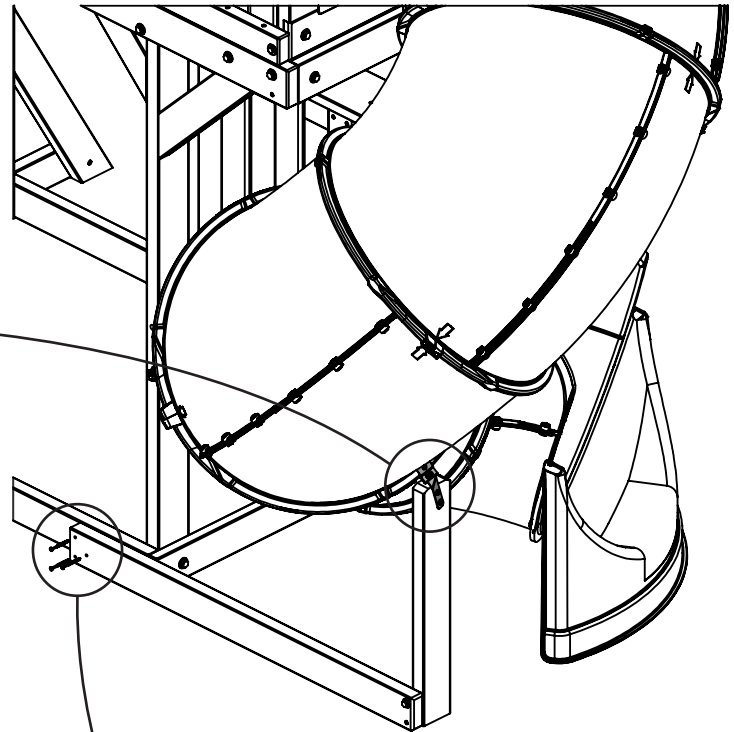
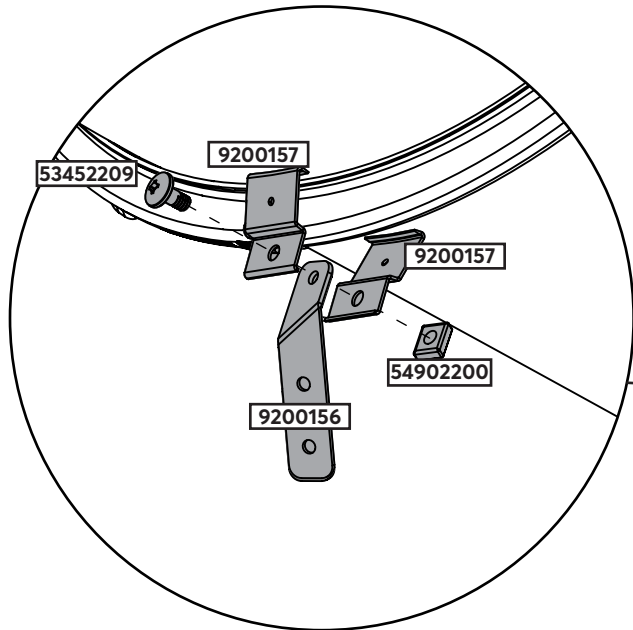
- 1 x 11910 31.8 x 76.2 x 965.2 mm (1 1/4 x 3 x 38 in)
- 1 x 11911 31.8 x 76.2 x 539.9 mm (1 1/4 x 3 x 21 1/4 in)

Hardware

- 1 x G6 7.9 x 120.6 mm (5/16 x 4-3/4 in) (LW2, FW2 x 2, LN2)
- 1 x S11 #8 x 50.8 mm (#8 x 2 in)



Rotated View



Pre-drill with a 1/8 drill bit.

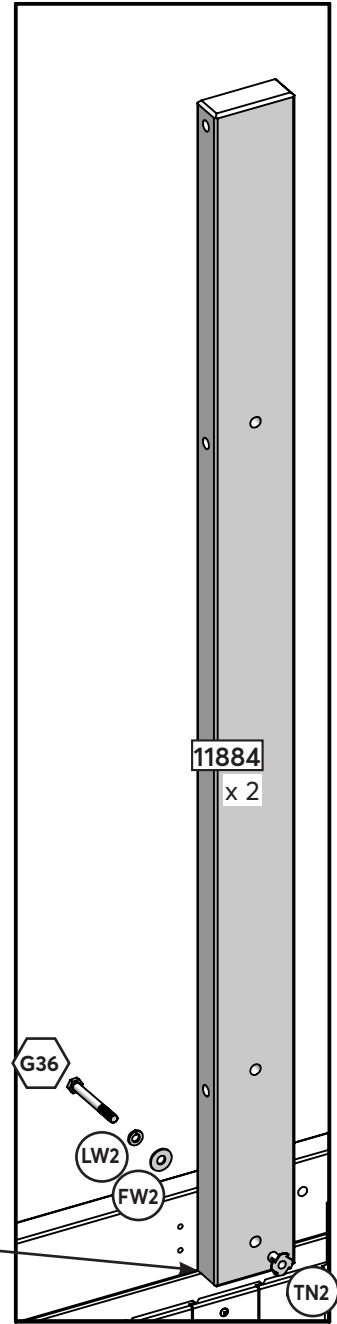
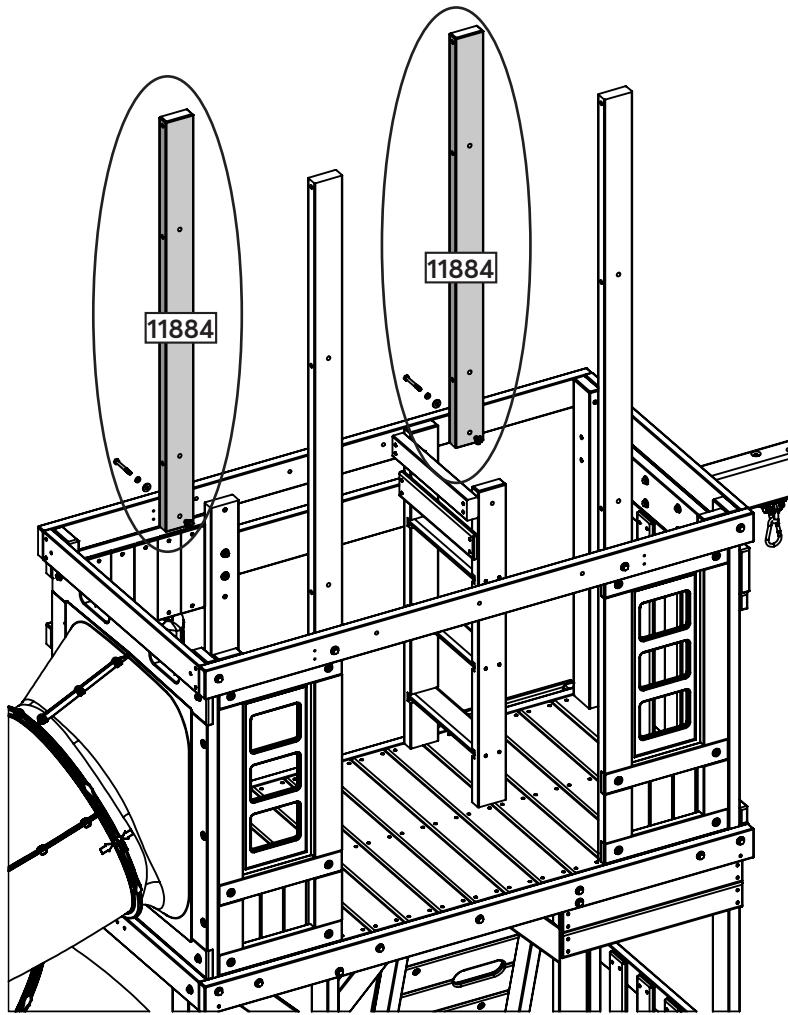
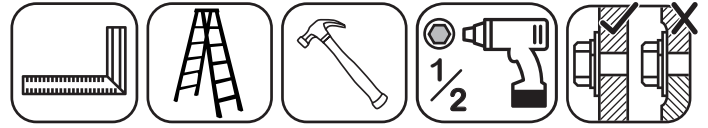
Hardware

- 1 x S37 #7 x 15.9 mm (#7 x 5/8 in)
- 2 x S6 #12 x 25.4 mm (#12 x 1 in)
- 3 x S11 #8 x 50.8 mm (#8 x 2 in)

Other Parts

- 1 x 54902200
- 2 x 9200157
- 1 x 9200156
- 1 x 53452209 1/4 x 14.5 mm

Assemble T-Nuts first with hammer!
Make sure the assembly is square.



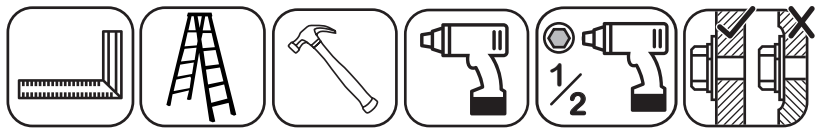
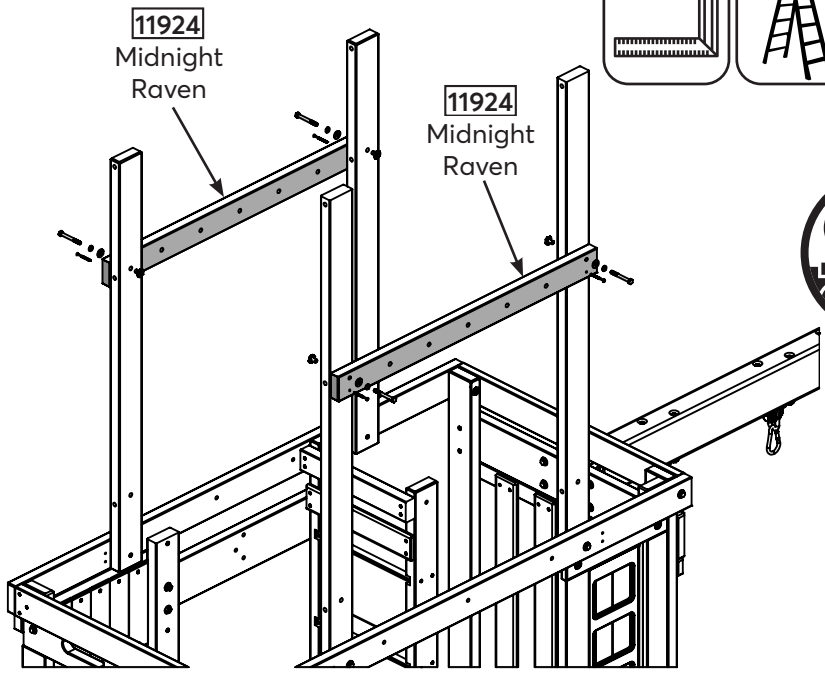
Wood Parts

2 x **11884** 34.9 x 85.7 x 1254.13 mm (1 3/8 x 3 3/8 x 49 3/8 in)

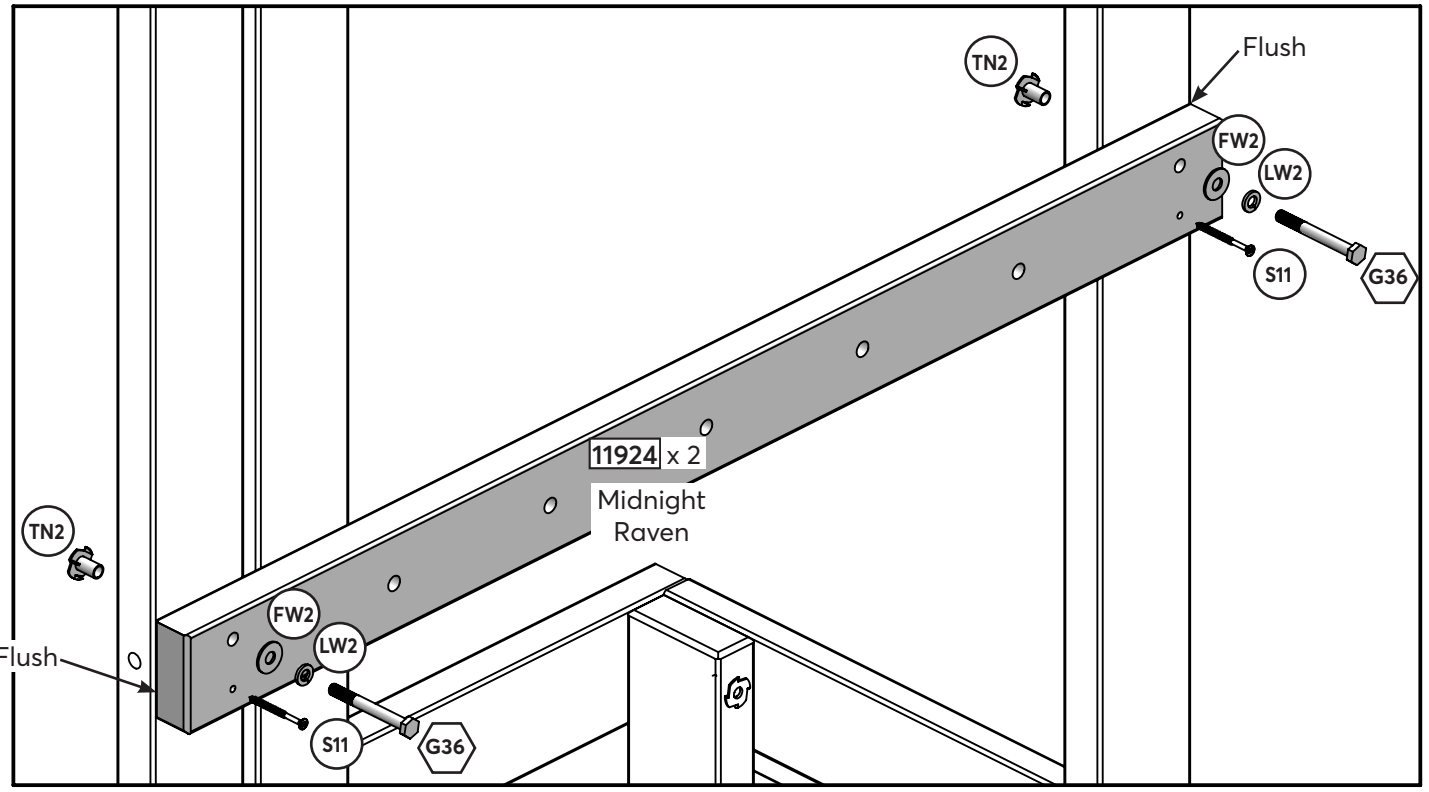
Hardware

2 x **G36** 7.9 x 69.9 mm (5/16 x 2-3/4 in) (LW2, FW2, TN2)

77



Assemble T-Nuts first with hammer!
Make sure the assembly is square.



Wood Parts

2 x 11924 (Midnight Raven) 31.8 x 76.2 x 971.5 mm (1 1/4 x 3 x 38 1/4 in)

Hardware

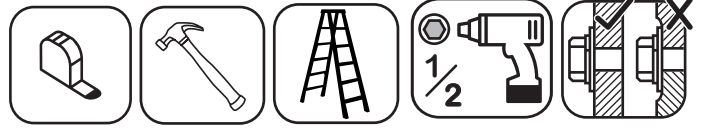
4 x G36 7.9 x 69.9 mm (5/16 x 2-3/4 in) (LW2, FW2, TN2)

4 x S11 #8 x 50.8mm (#8 x 2 in)

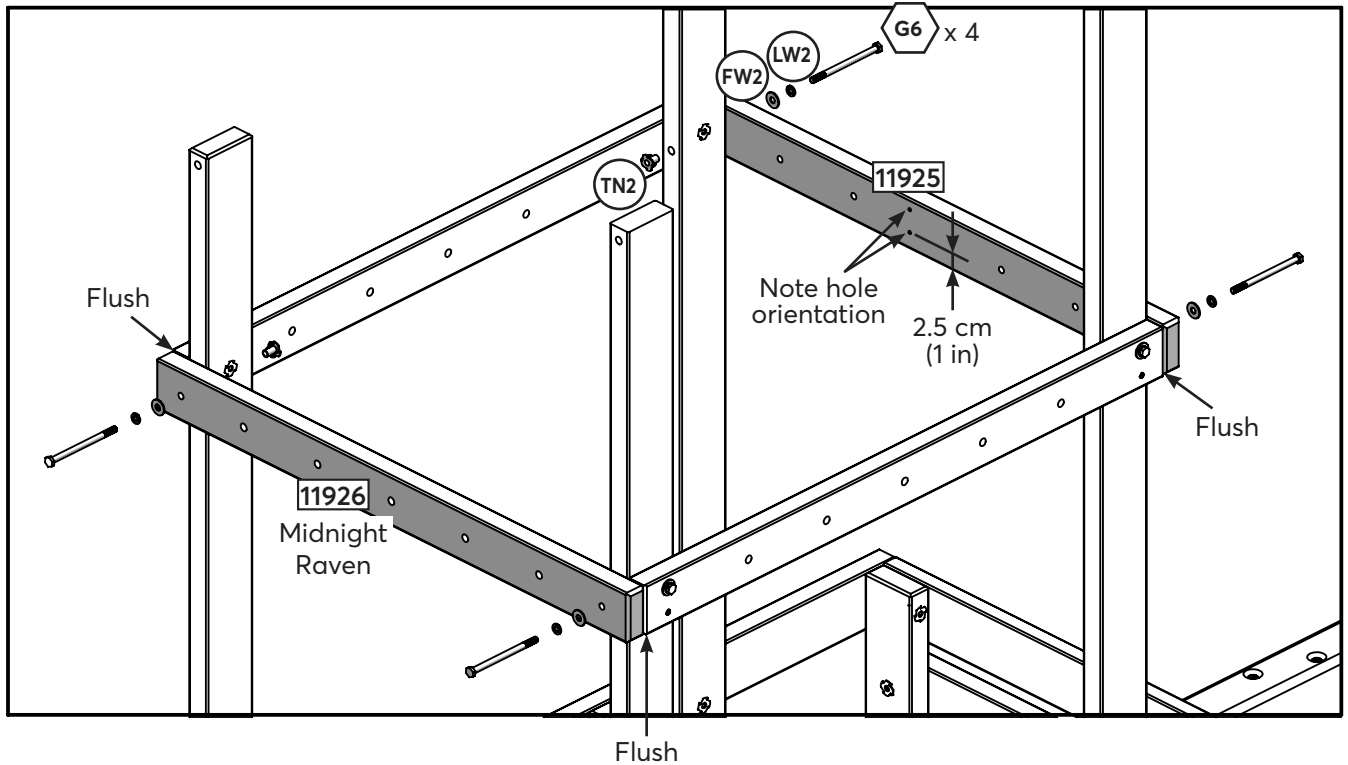
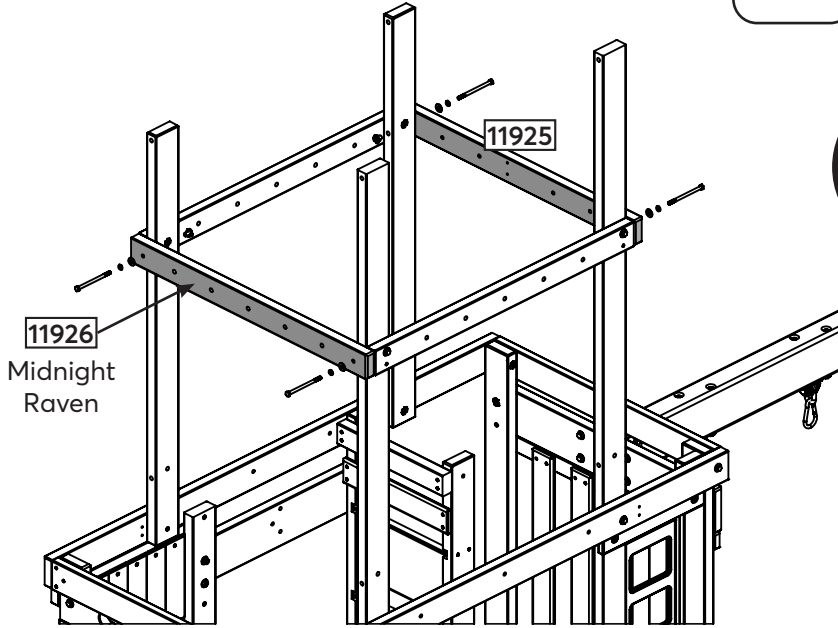


kidkraft.com

customerservice@kidkraft.com
1.800.933.0771
972.385.0100



Assemble T-Nuts first with hammer!



Wood Parts

- 1 x 11925 31.8 x 76.2 x 885.8 mm (1 1/4 x 3 x 34 7/8 in)
- 1 x 11926 (Midnight Raven) 31.8 x 76.2 x 885.8 mm (1 1/4 x 3 x 34 7/8 in)

Hardware

- 4 x G6 7.9 x 120.6 mm (5/16 x 4-3/4 in) (LW2, FW2, TN2)

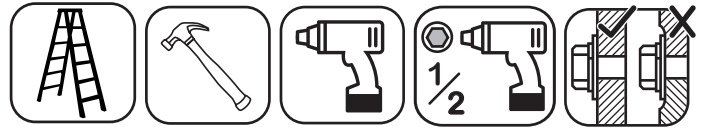


kidkraft.com

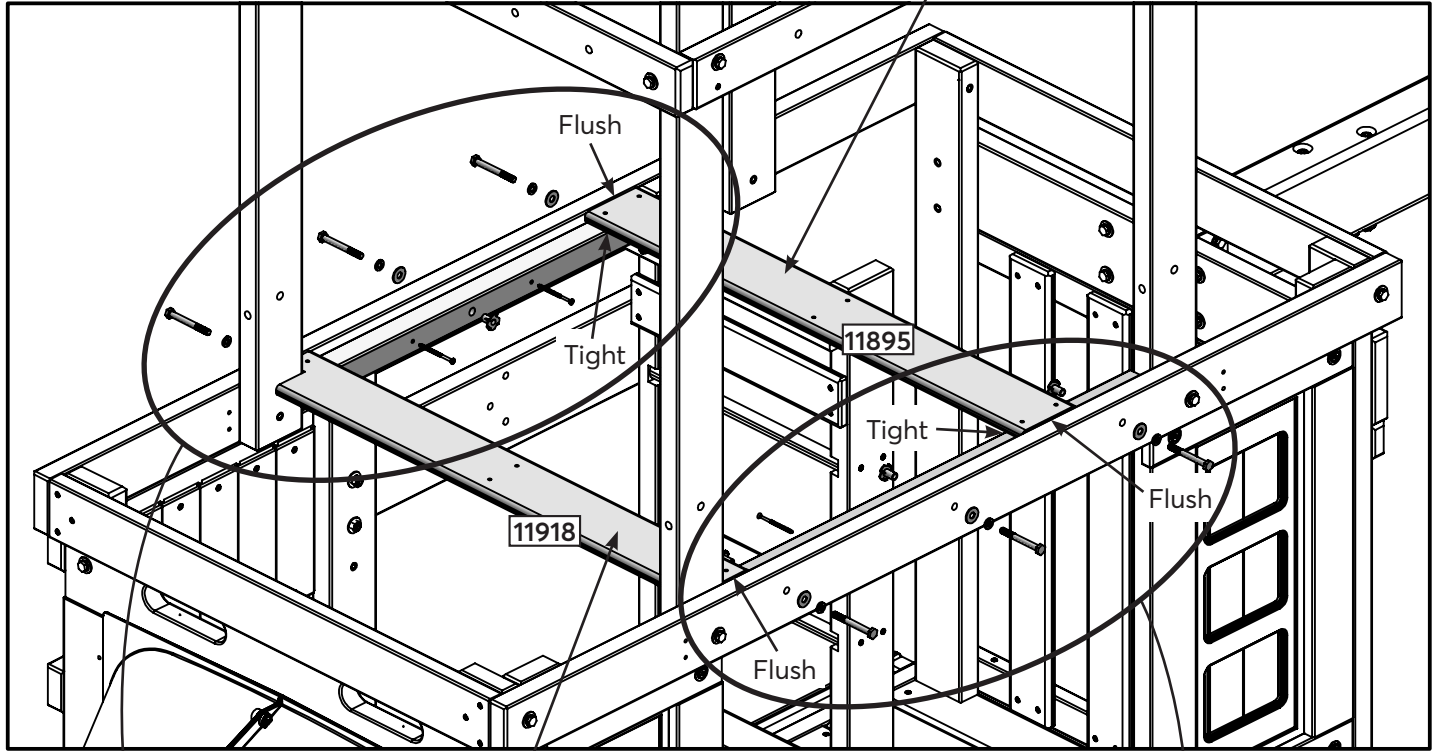
customerservice@kidkraft.com
 1.800.933.0771
 972.385.0100

79

Assemble T-Nuts first with hammer!

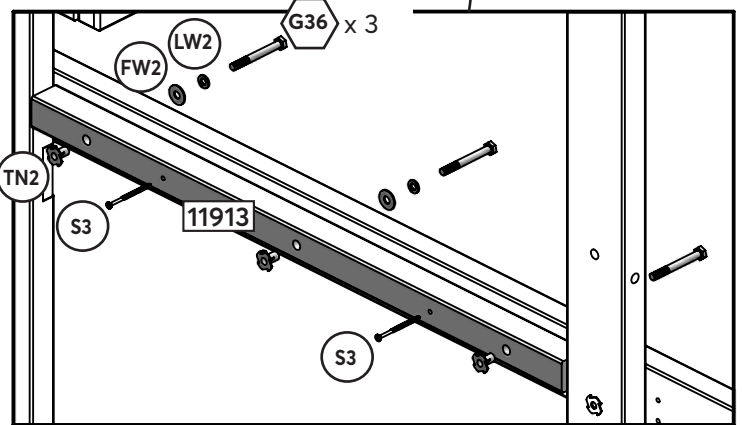
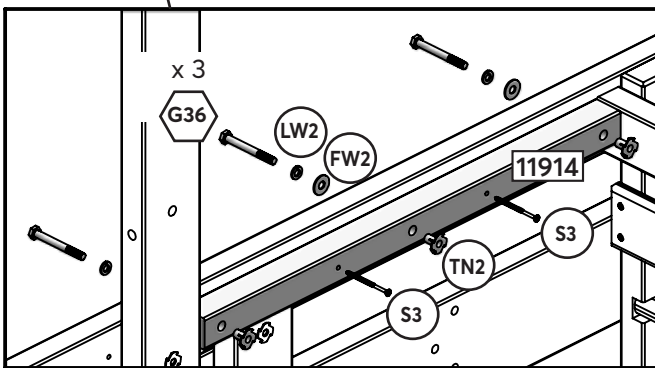


Do not attach.
Use for alignment only.



Do not attach.
Use for alignment only.

Rotated View



Wood Parts

- 1 x 11914 38.1 x 38.1 x 622.3 mm (1 1/2 x 1 1/2 x 24 1/2 in)
- 1 x 11913 38.1 x 38.1 x 793.7 mm (1 1/2 x 1 1/2 x 31 1/4 in)

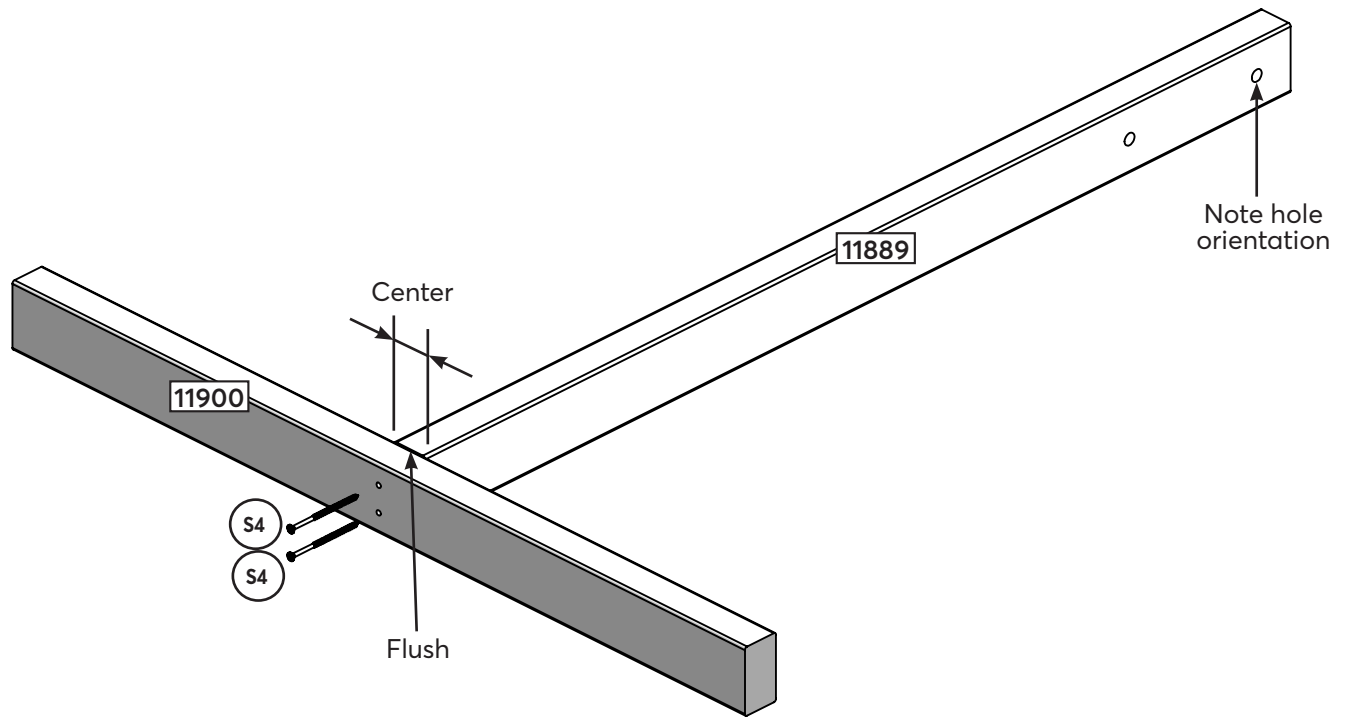
Hardware

- 6 x G36 7.9 x 69.9 mm (5/16 x 2-3/4 in) (LW2, FW2, TN2)
- 4 x S3 #8 x 63.5mm (#8 x 2-1/2 in)



kidkraft.com

customerservice@kidkraft.com
1.800.933.0771
972.385.0100



Wood Parts

- 1 x 11900 34.9 x 63.5 x 822.3 mm (1 3/8 x 2 1/2 x 32 3/8 in)
- 1 x 11889 34.9 x 63.5 x 971.5 mm (1 3/8 x 2 1/2 x 38 1/4 in)

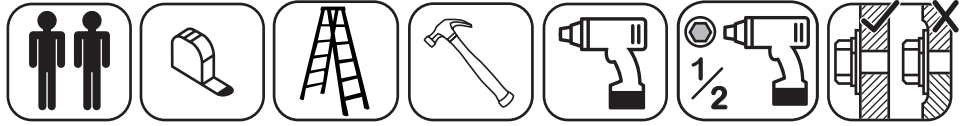
Hardware

- 2 x S4 #8 x 76.2 mm (#8 x 3 in)

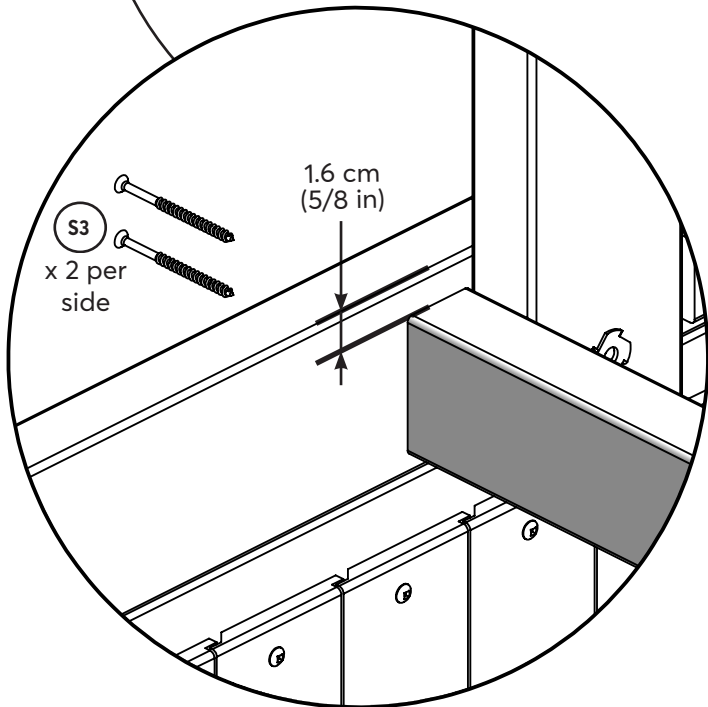
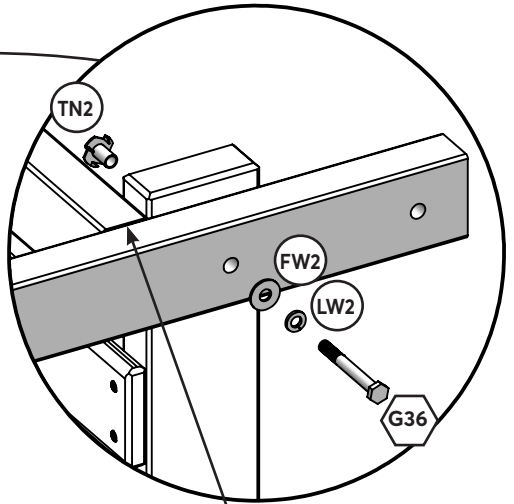
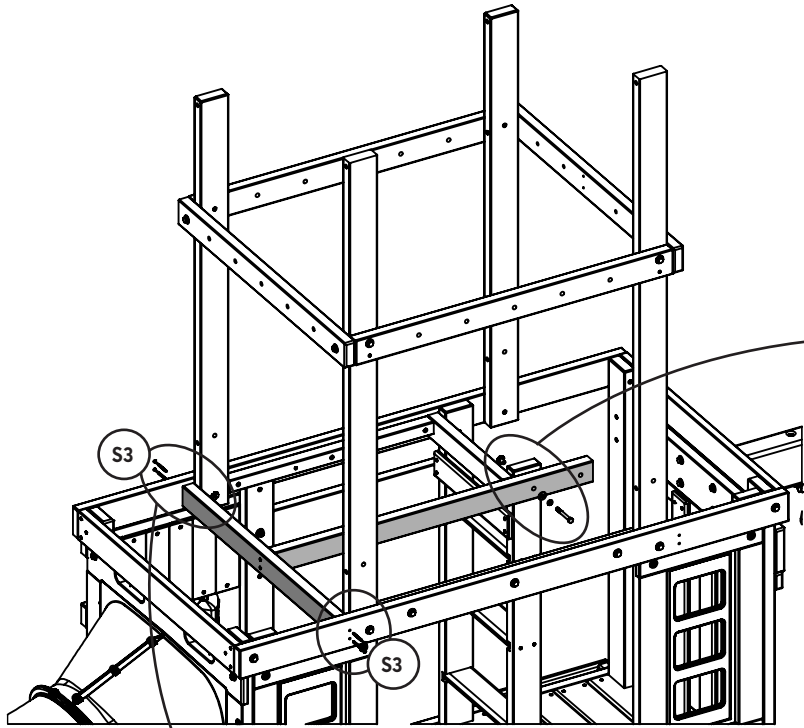


kidkraft.com

customerservice@kidkraft.com
 1.800.933.0771
 972.385.0100

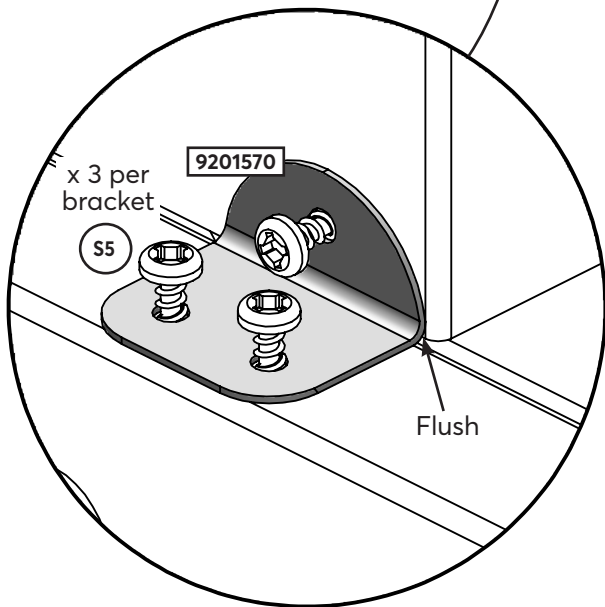
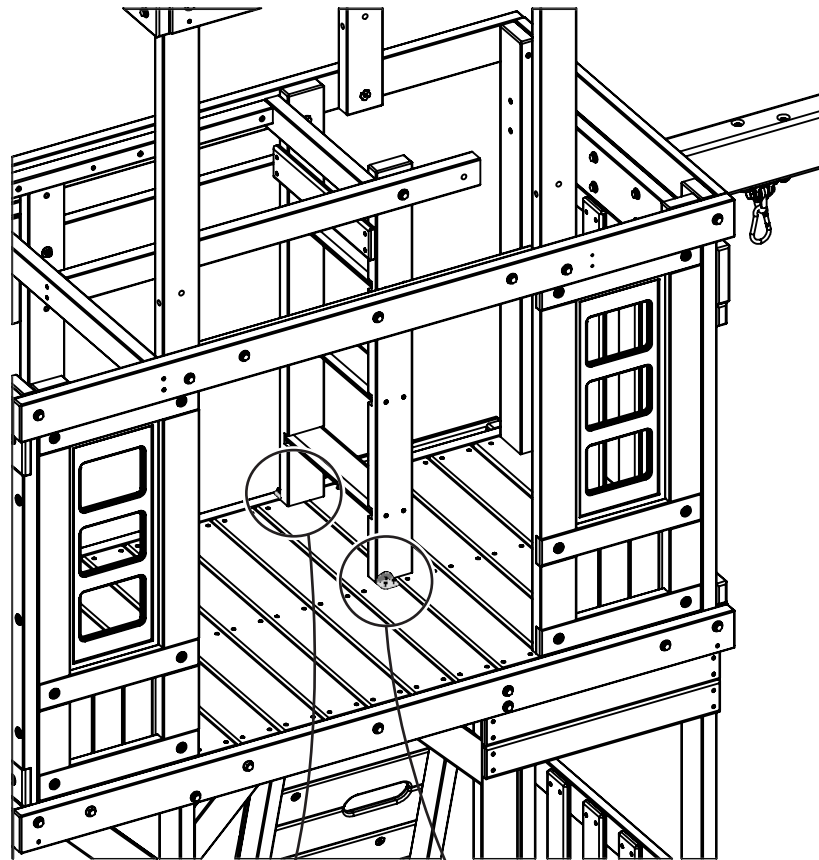


Assemble T-Nuts first with hammer!

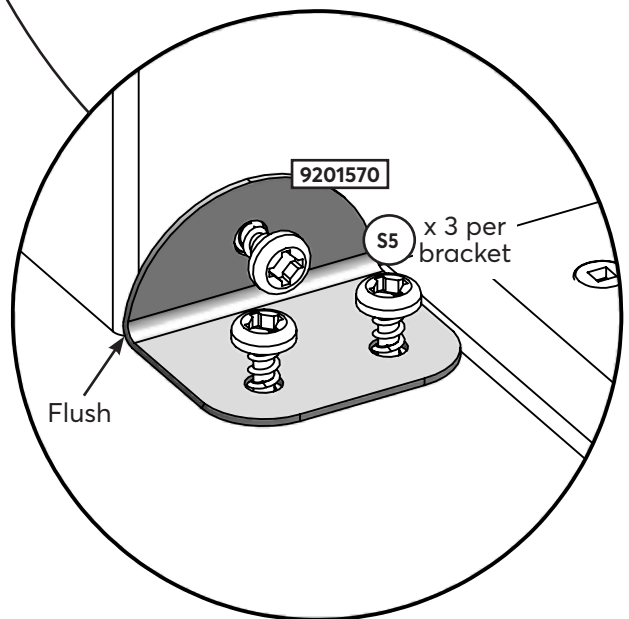


Hardware

- 1 x 7.9 x 69.9 mm (5/16 x 2-3/4 in) (LW2, FW2, TN2)
- 4 x #8 x 63.5 mm (#8 x 2-1/2 in)



Outside View



Hardware

6 x (S5) #8 x 12.7 mm (#8 x 1/2 in)

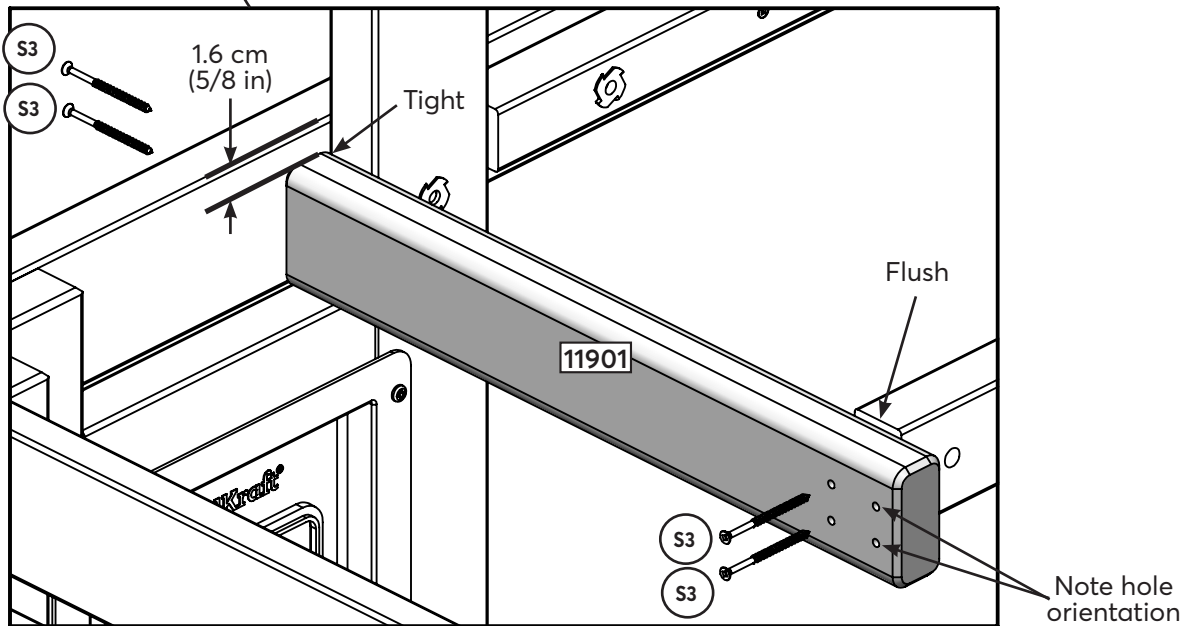
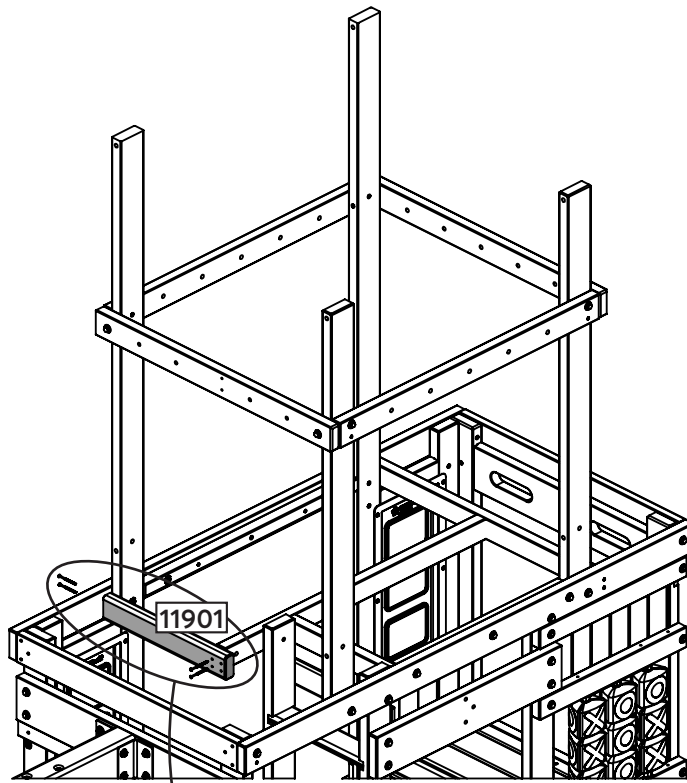
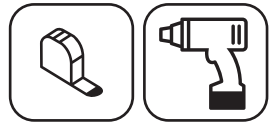
Other Parts

2 x 9201570



kidkraft.com

customerservice@kidkraft.com
1.800.933.0771
972.385.0100



Wood Parts

1 x **11901** 34.9 x 73 x 460.4 mm (1 3/8 x 2 1/2 x 18 1/8 in)

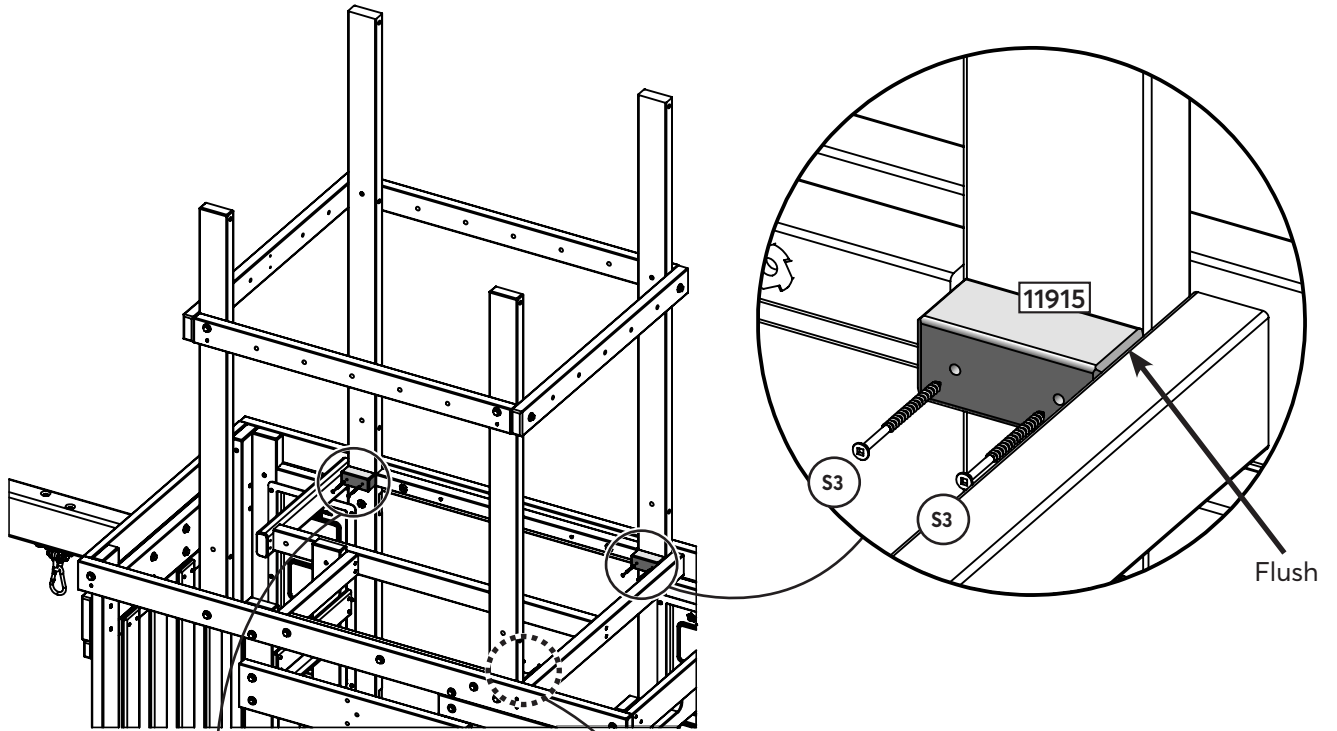
Hardware

4 x **S3** #8 x 63.5 mm (#8 x 2-1/2 in)

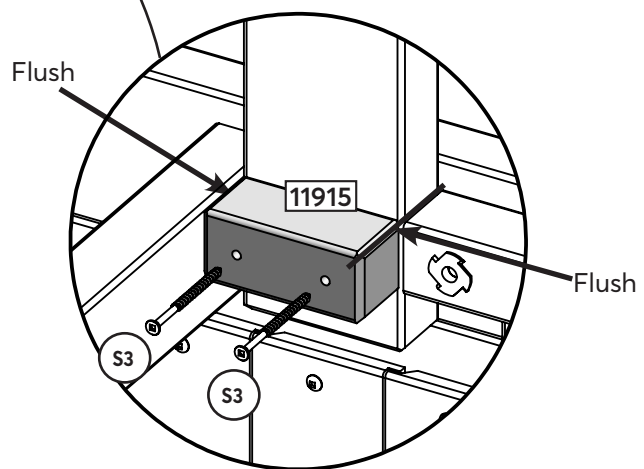
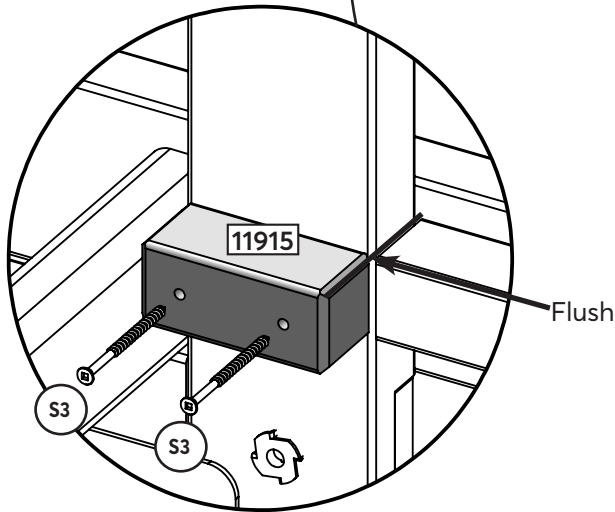


kidkraft.com

customerservice@kidkraft.com
1.800.933.0771
972.385.0100



Rotated View



Wood Parts

3 x **11915** 38.1 x 38.1 x 85.7 mm (1 1/2 x 1 1/2 x 3 3/8 in)

Hardware

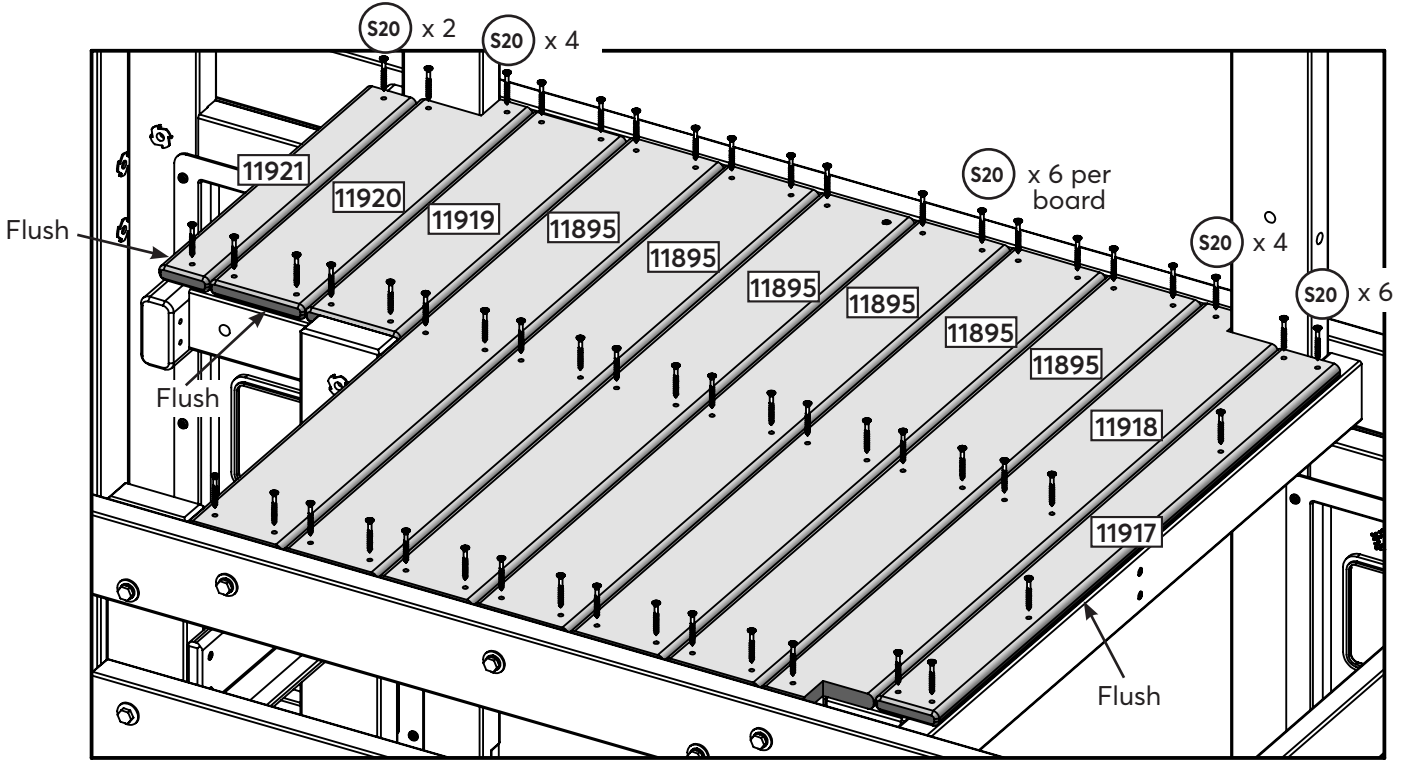
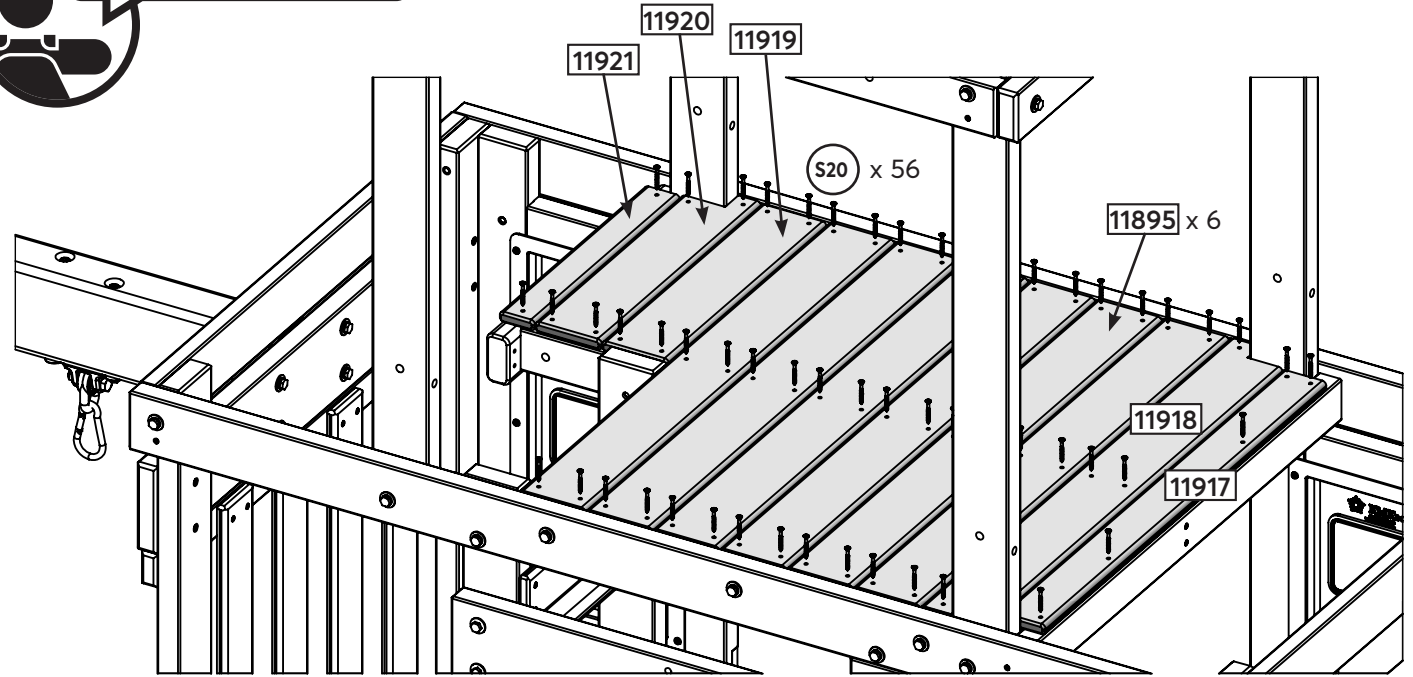
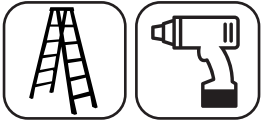
6 x **S3** #8 x 63.5 mm (#8 x 2-1/2 in)



kidkraft.com

customerservice@kidkraft.com
1.800.933.0771
972.385.0100

Evenly space the boards



Wood Parts

- 6 x 11895 15.9 x 101.6 x 818.3 mm (5/8 x 4 x 32 3/16 in)
- 1 x 11918 15.9 x 101.6 x 818.3 mm (5/8 x 4 x 32 3/16 in)
- 1 x 11917 15.9 x 67.9 x 749.3 mm (5/8 x 2 11/16 x 29 1/2 in)

- 1 x 11919 15.9 x 101.6 x 424.6 mm (5/8 x 4 x 16 11/16 in)
- 1 x 11920 15.9 x 101.6 x 424.6 mm (5/8 x 4 x 16 11/16 in)
- 1 x 11921 15.9 x 54 x 389.7 mm (5/8 x 2 1/8 x 15 5/16 in)

Hardware

- 56 x S20 #8 x 34.9 mm (#8 x 1-3/8 in)

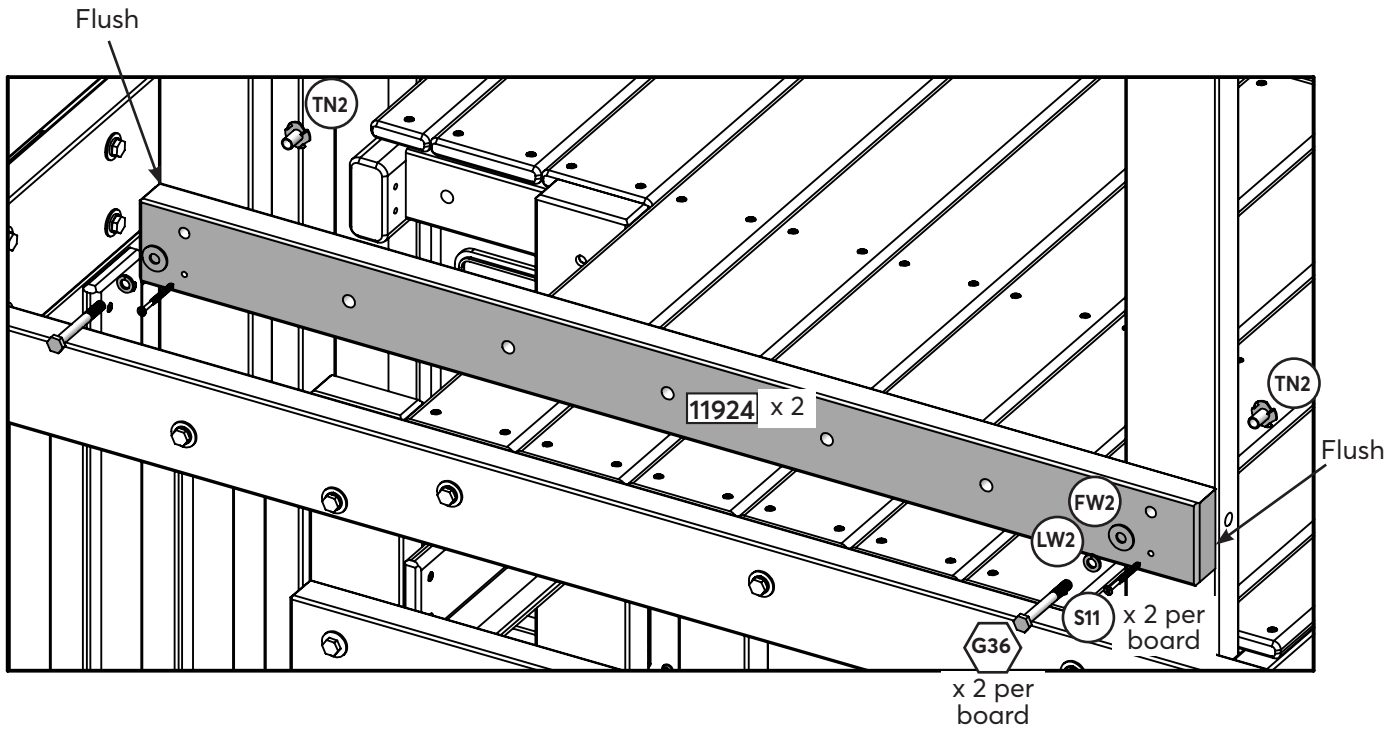
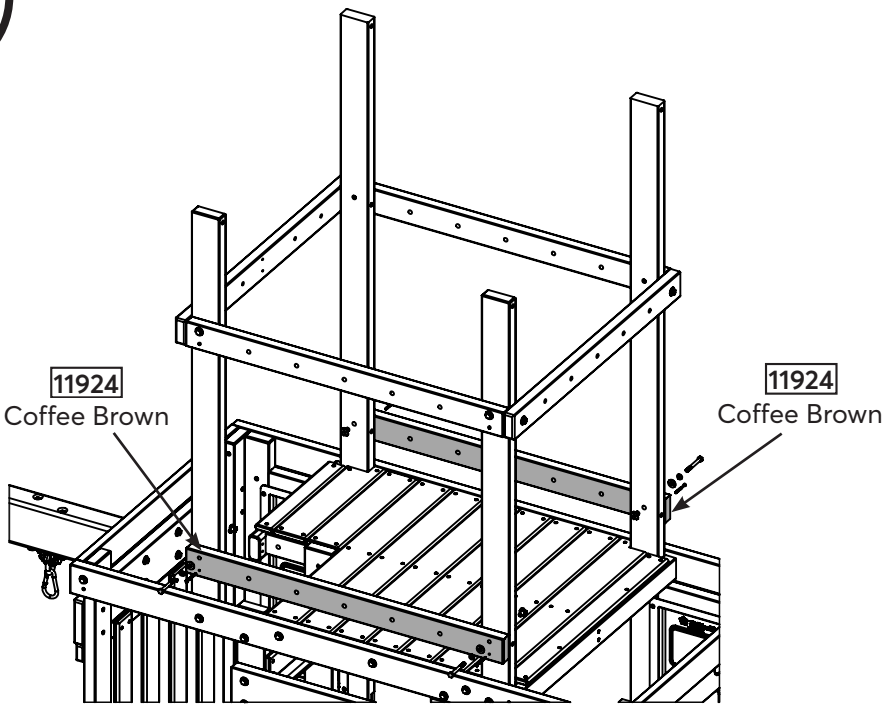
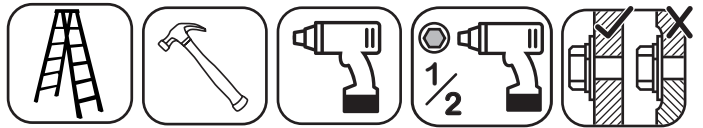


kidkraft.com

customerservice@kidkraft.com
 1.800.933.0771
 972.385.0100

86

Assemble T-Nuts first with hammer!



Wood Parts

2 x 11924 (Coffee Brown) 31.8 x 76.2 x 971.5 mm (1 1/4 x 3 x 38 1/4 in)

Hardware

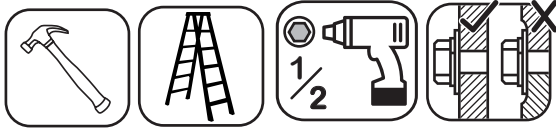
4 x G36 7.9 x 69.9 mm (5/16 x 2-3/4 in) (LW2, FW2, TN2)

4 x S11 #8 x 50.8 mm (#8 x 2 in)

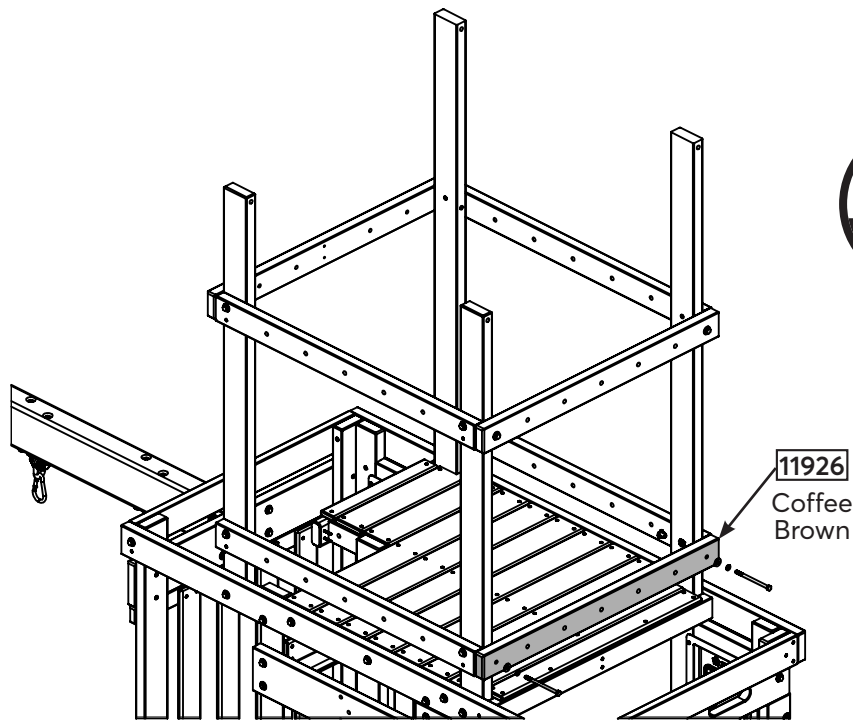


kidkraft.com

customerservice@kidkraft.com
 1.800.933.0771
 972.385.0100

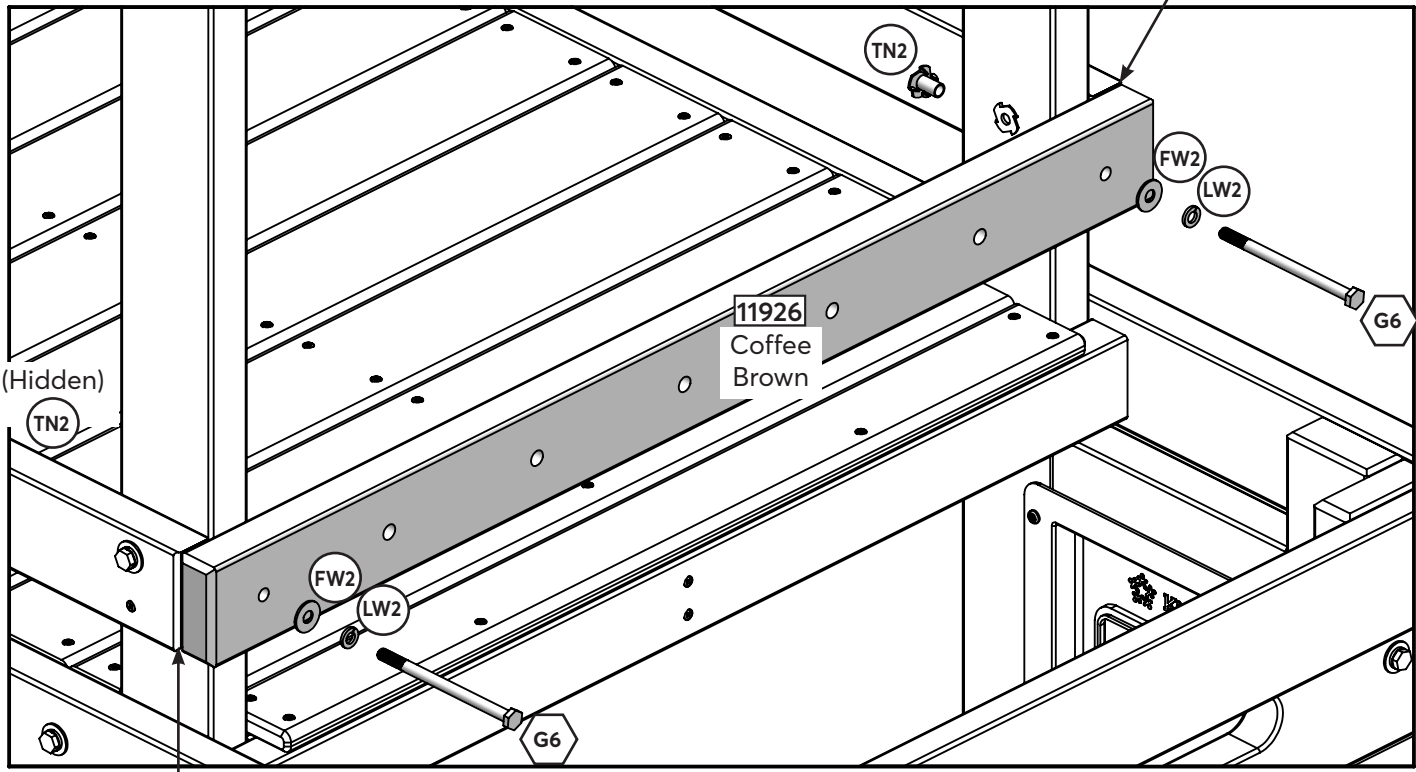


Assemble T-Nuts first with hammer!



11926
Coffee
Brown

Flush



(Hidden)

11926
Coffee
Brown

Flush

Wood Parts

1 x 11926 (Coffee Brown) 31.8 x 76.2 x 885.8 mm (1 1/4 x 3 x 34 7/8 in)

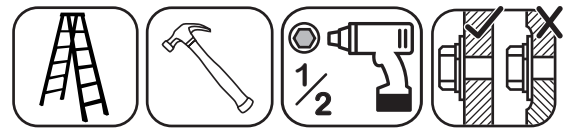
Hardware

2 x G6 7.9 x 120.6 mm (5/16 x 4-3/4 in) (LW2, FW2, TN2)

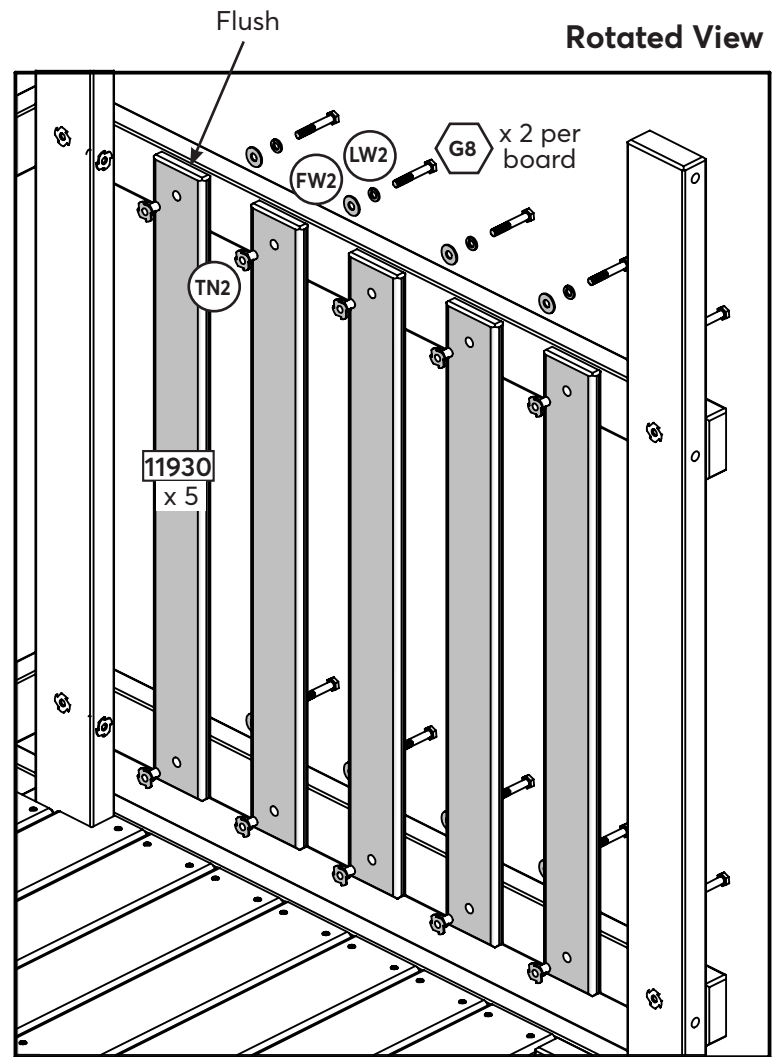
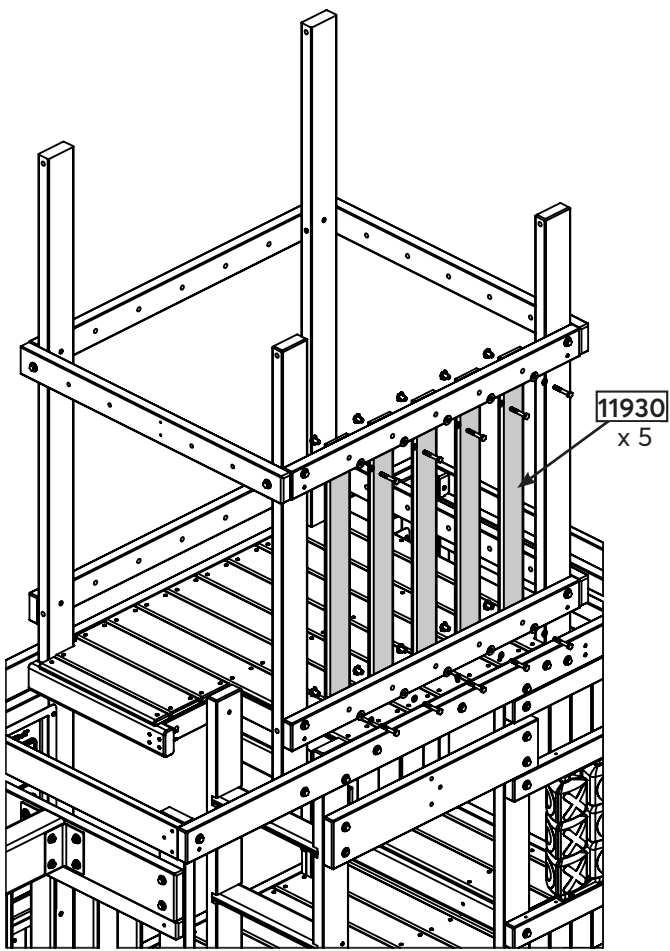


kidkraft.com

customerservice@kidkraft.com
1.800.933.0771
972.385.0100



Assemble T-Nuts first with hammer!



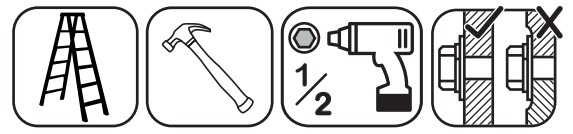
Wood Parts
5 x 11930 15.9 x 76.2 x 76.2 mm (5/8 x 3 x 30 in)

Hardware
10 x G8 7.9 x 50.8 mm (5/16 x 2 in) (LW2, FW2, TN2)

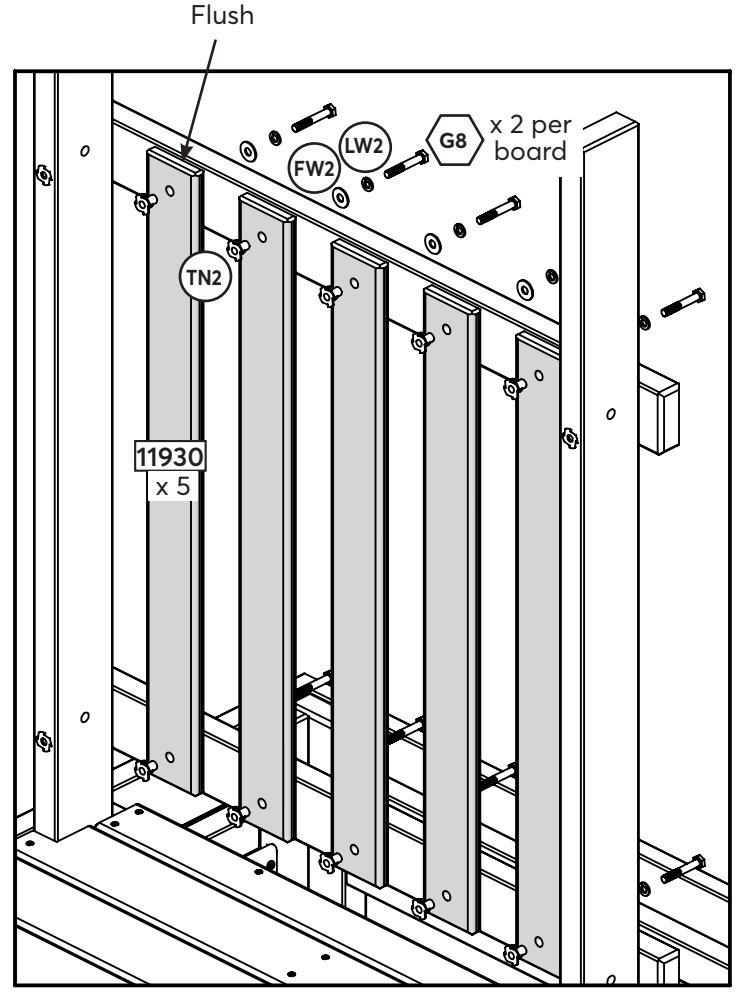
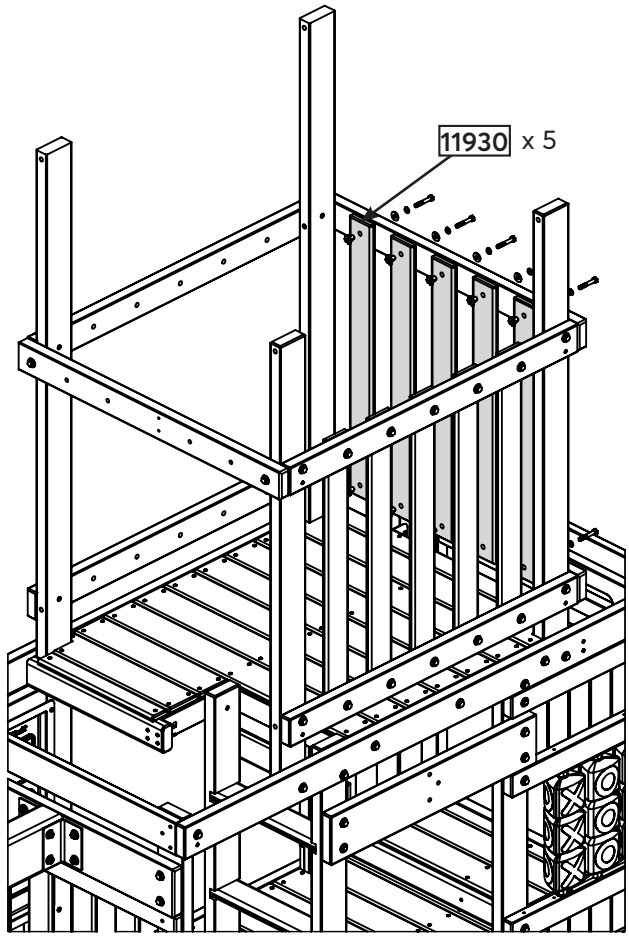


kidkraft.com

customerservice@kidkraft.com
1.800.933.0771
972.385.0100



Assemble T-Nuts first with hammer!



Wood Parts

5 x **11930** 15.9 x 76.2 x 762 mm (5/8 x 3 x 30 in)

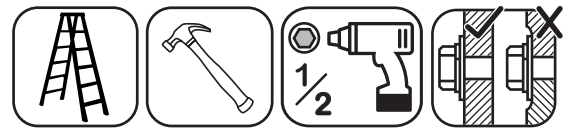
Hardware

10 x **G8** 7.9 x 50.8 mm (5/16 x 2 in) (LW2, FW2, TN2)

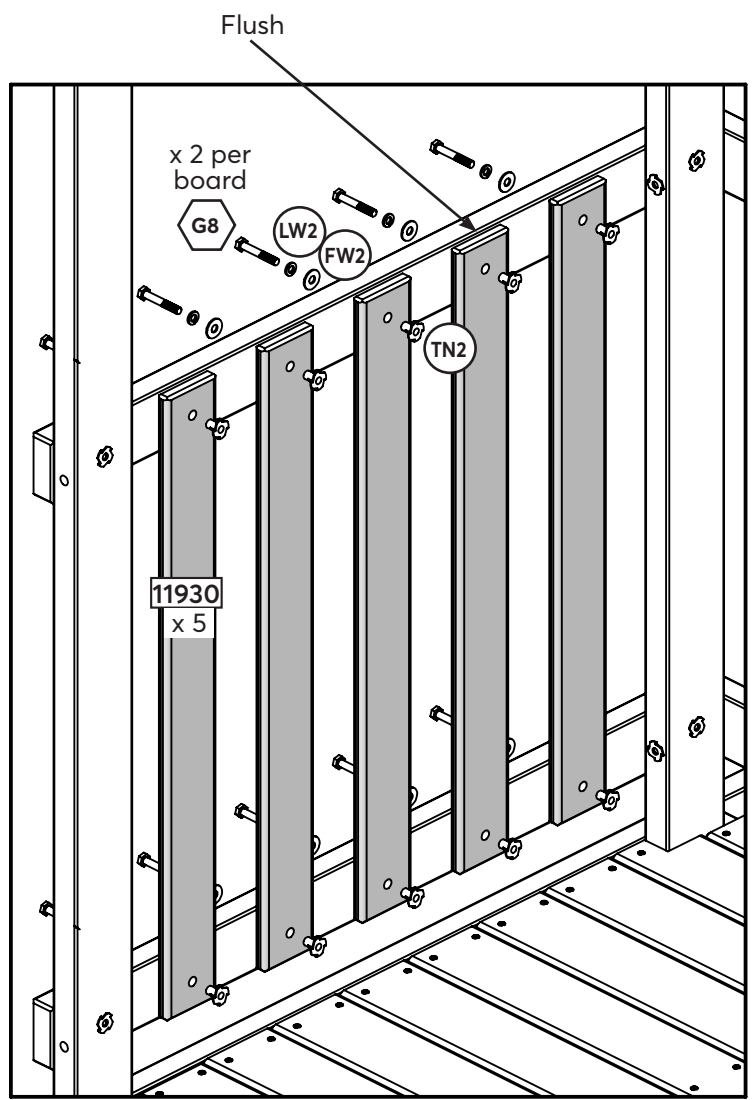
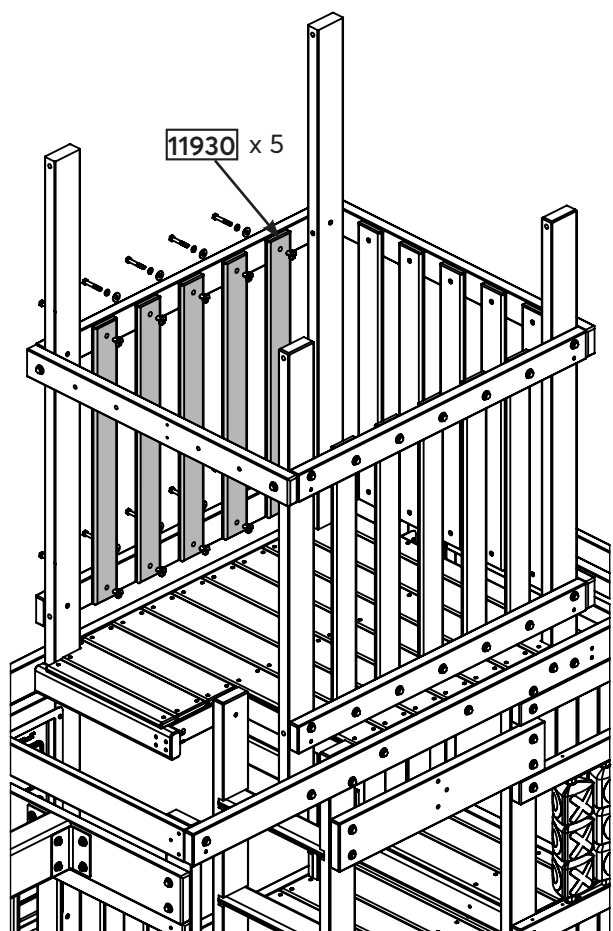


kidkraft.com

customerservice@kidkraft.com
 1.800.933.0771
 972.385.0100



Assemble T-Nuts first with hammer!



Wood Parts

5 x **11930** 15.9 x 76.2 x 762 mm (5/8 x 3 x 30 in)

Hardware

10 x **G8** 7.9 x 50.8 mm (5/16 x 2 in) (LW2, FW2, TN2)

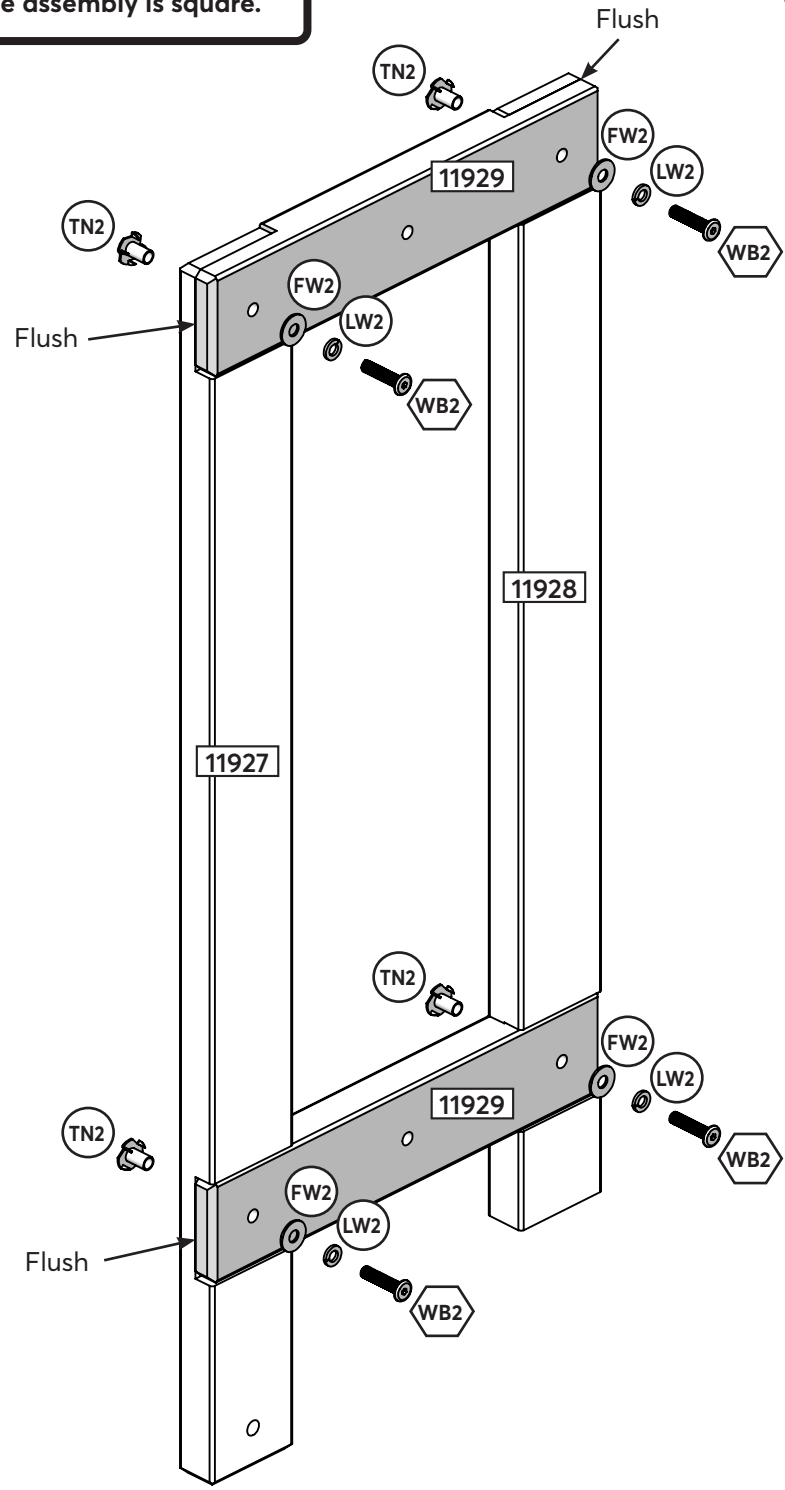


kidkraft.com

customerservice@kidkraft.com
1.800.933.0771
972.385.0100

91

Assemble T-Nuts first with hammer!
Make sure the assembly is square.



Wood Parts

- 1 x **11927** 31.8 x 76.2 x 923.9 mm (1 1/4 x 3 x 36 3/8 in)
- 1 x **11928** 31.8 x 76.2 x 844.5 mm (1 1/4 x 3 x 33 1/4 in)
- 2 x **11929** 31.8 x 76.2 x 365.1 mm (1 1/4 x 3 x 14 3/8 in)

Hardware

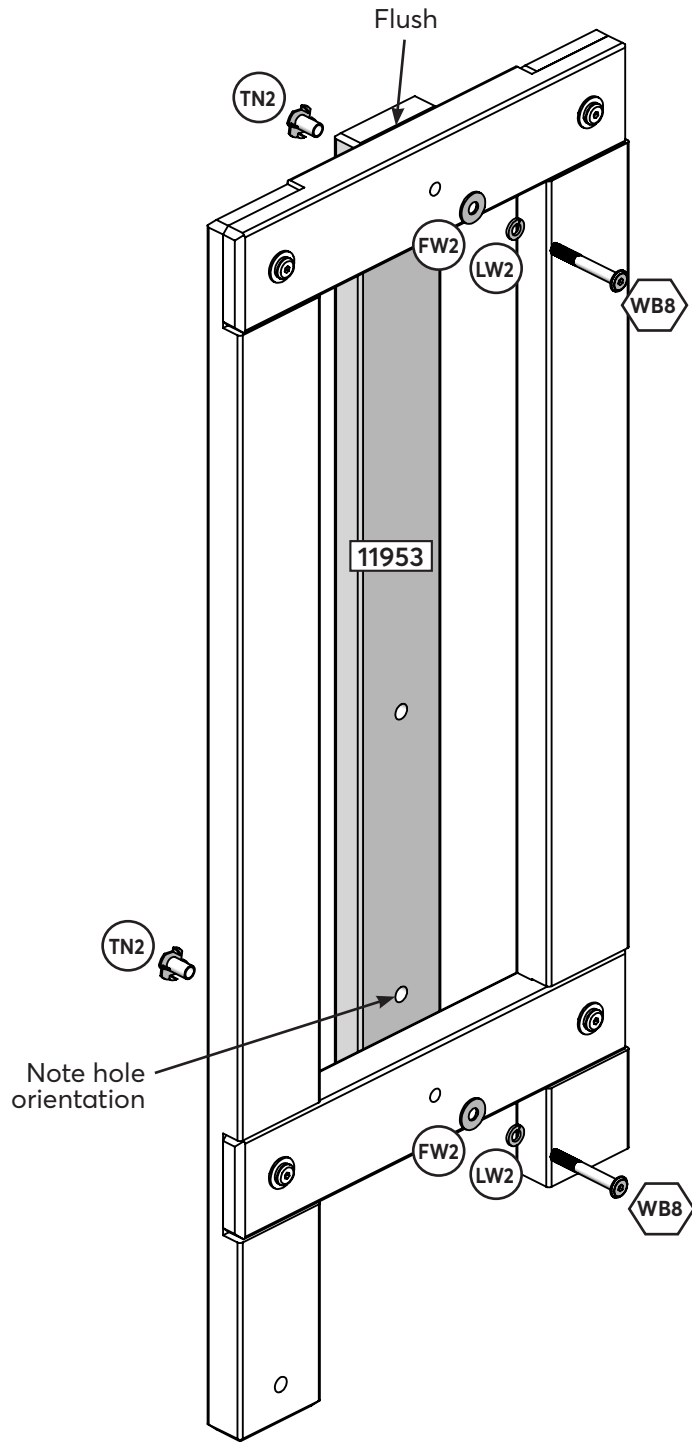
- 4 x **WB2** 7.9 x 34.9 mm (5/16 x 1-3/8 in) (LW2, FW2, TN2)



kidkraft.com

customerservice@kidkraft.com
1.800.933.0771
972.385.0100

Assemble T-Nut first with hammer!

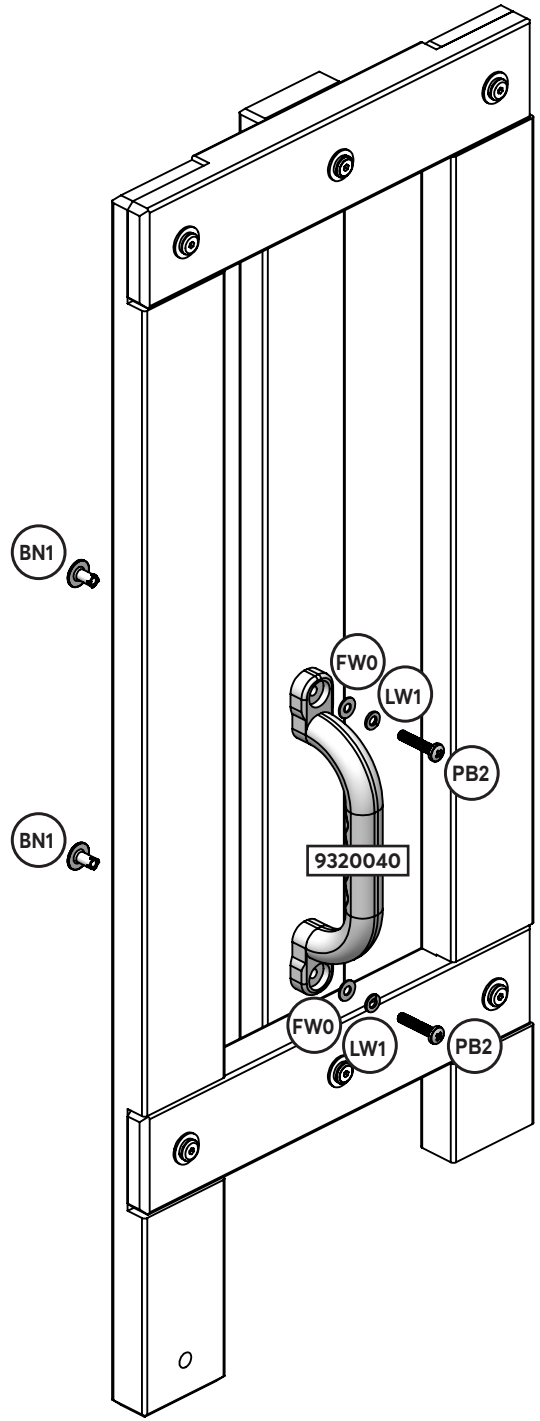


Wood Parts

1 x **11953** 25.4 x 76.2 x 762 mm (1 x 3 x 30 in)

Hardware

2 x **WB8** 7.9 x 60.3 mm (5/16 x 2-3/8 in) (LW2, FW2, TN2)



Hardware

2 x **PB2** 7.9 x 32 mm (5/16 x 1-1/4 in) (FW0, LW1, BN1)

Other Parts

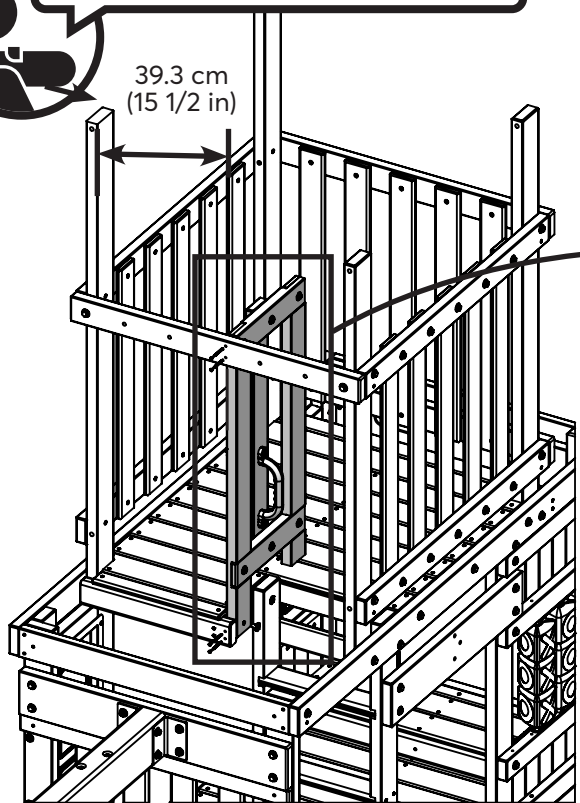
1 x **9320040**

94

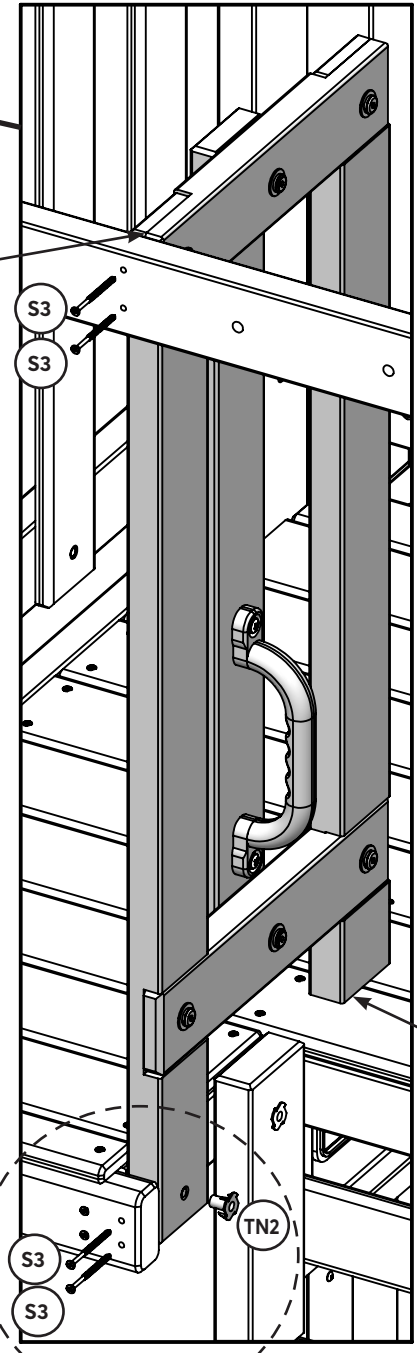
Assemble T-Nuts first with hammer!
Make sure the assembly is square.



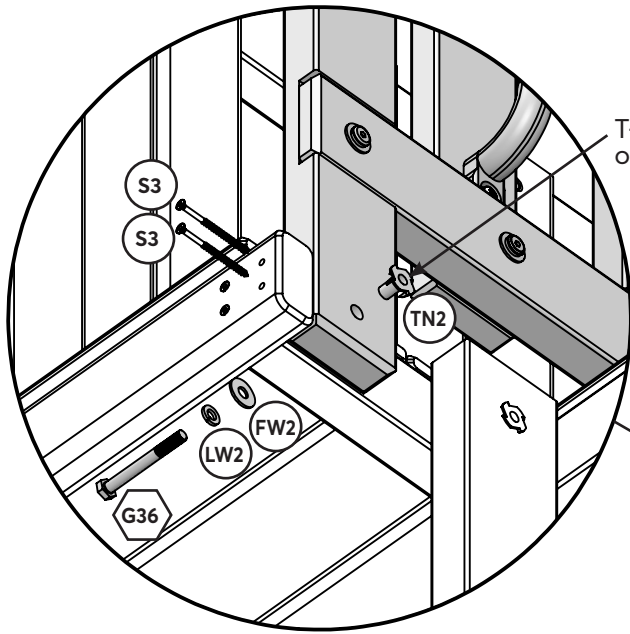
39.3 cm
(15 1/2 in)



Flush



Rotated Underneath View



T-Nut faces outside

Tight

Hardware

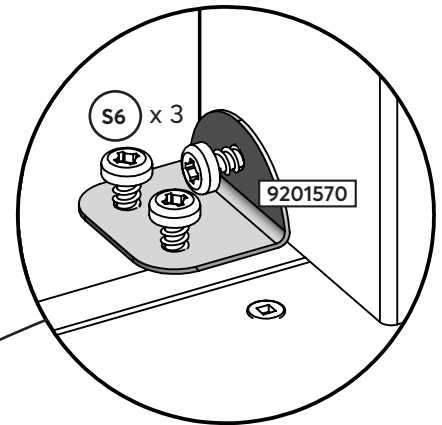
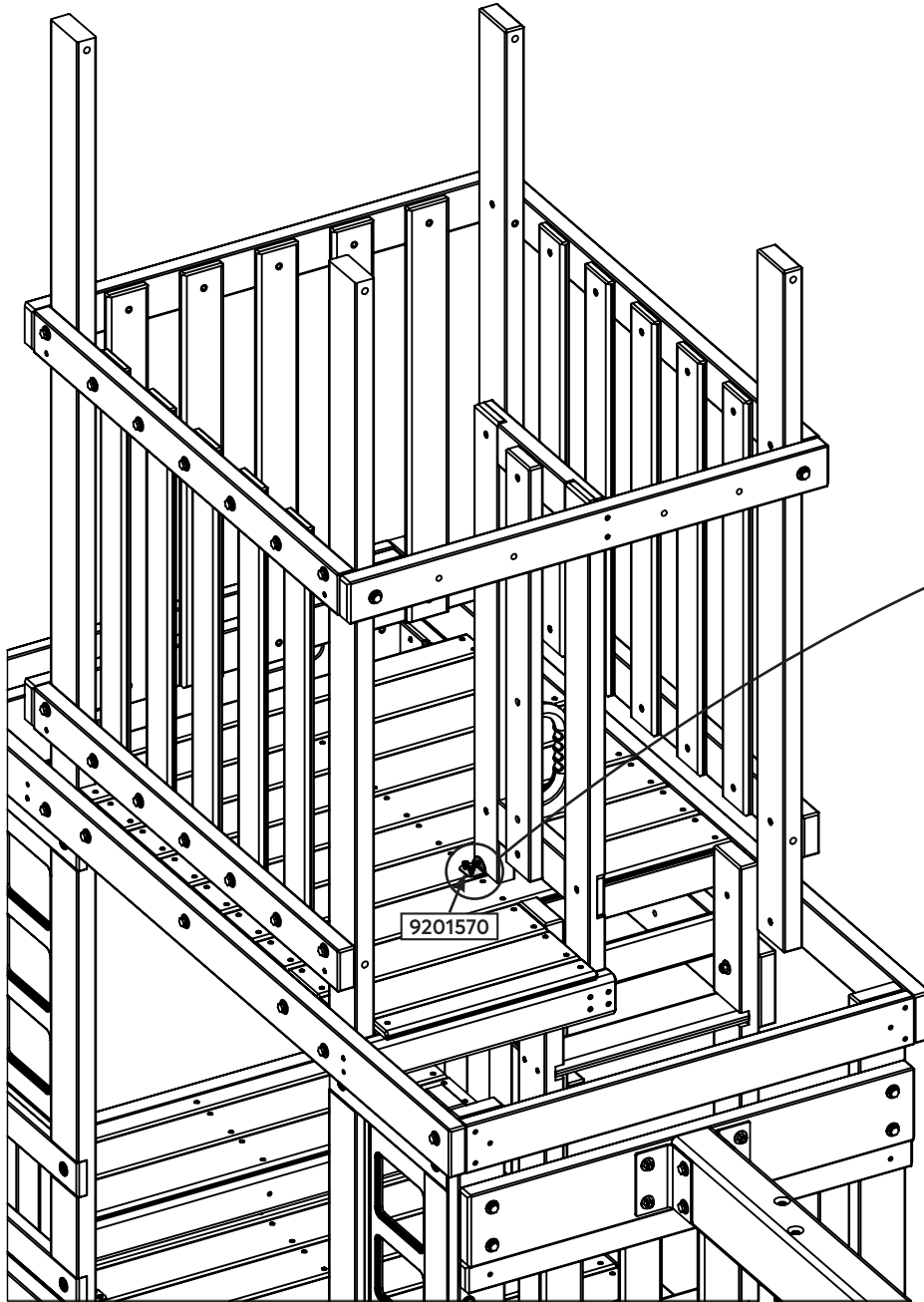
1 x G36 7.9 x 69.9 mm (5/16 x 2-3/4 in) (LW2, FW2, TN2)

4 x S3 #8 x 63.5 mm (#8 x 2-1/2 in)



kidkraft.com

customerservice@kidkraft.com
1.800.933.0771
972.385.0100



Hardware

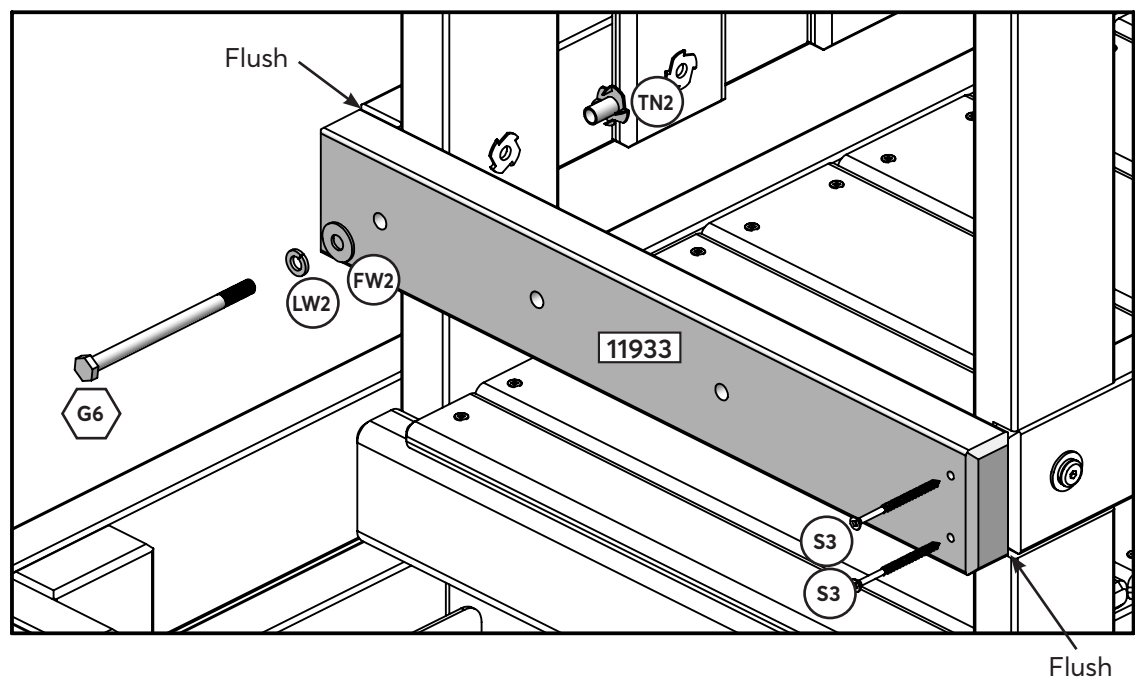
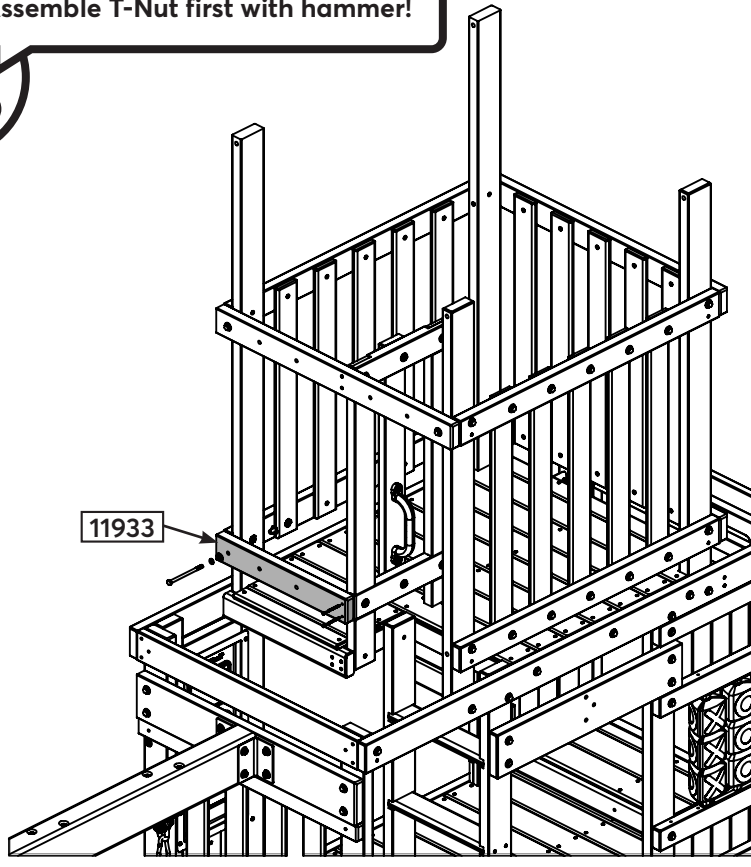
3 x (S6) #12 x 25.4 mm (#12 x 1 in)

Other Parts

1 x 9201570

96

Assemble T-Nut first with hammer!



Wood Parts

1 x **11933** 31.8 x 76.2 x 492.1 mm (1 1/4 x 3 x 19 3/8 in)

Hardware

1 x **G6** 7.9 x 120.6 mm (5/16 x 4-3/4 in) (LW2, FW2, TN2)

2 x **S3** #8 x 63.5 mm (#8 x 2-1/2 in)



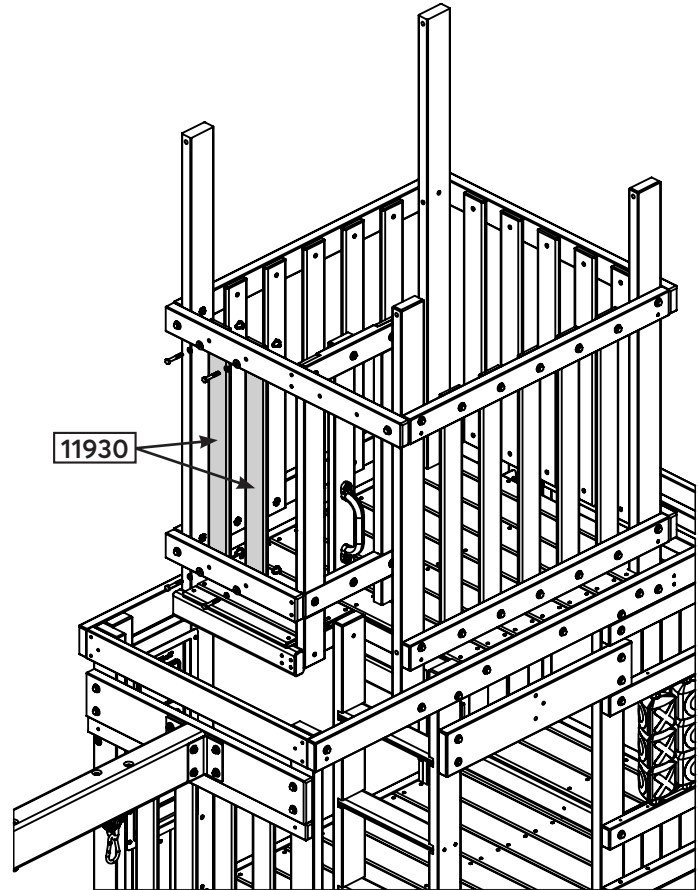
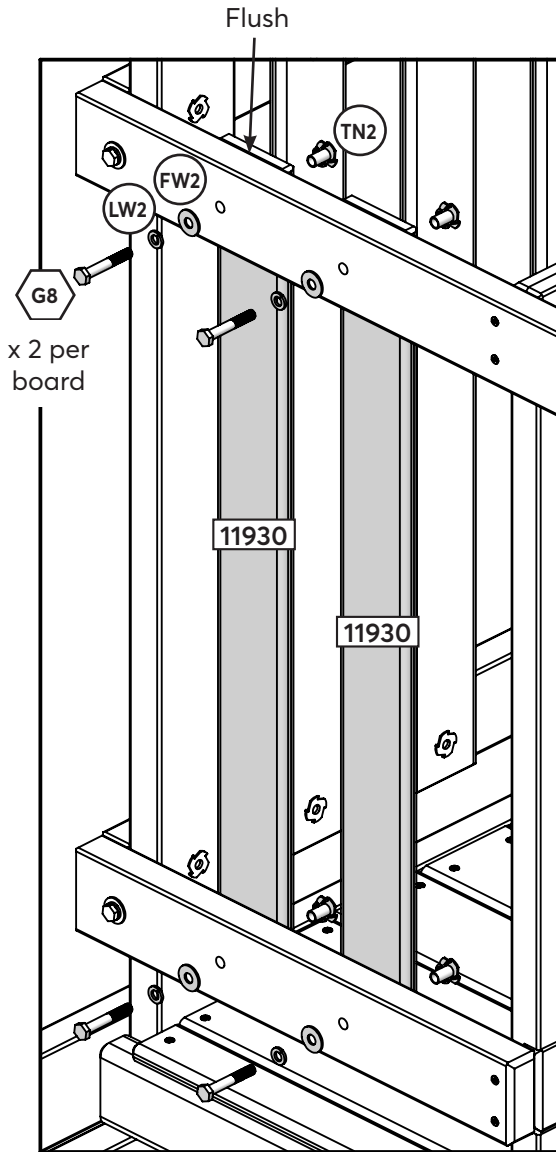
KidKraft
MADE FOR MAKE BELIEVE™

kidkraft.com

customerservice@kidkraft.com
1.800.933.0771
972.385.0100

97

Assemble T-Nut first with hammer!



Wood Parts

2 x **11930** 15.9 x 76.2 x 762 mm (5/8 x 3 x 30 in)

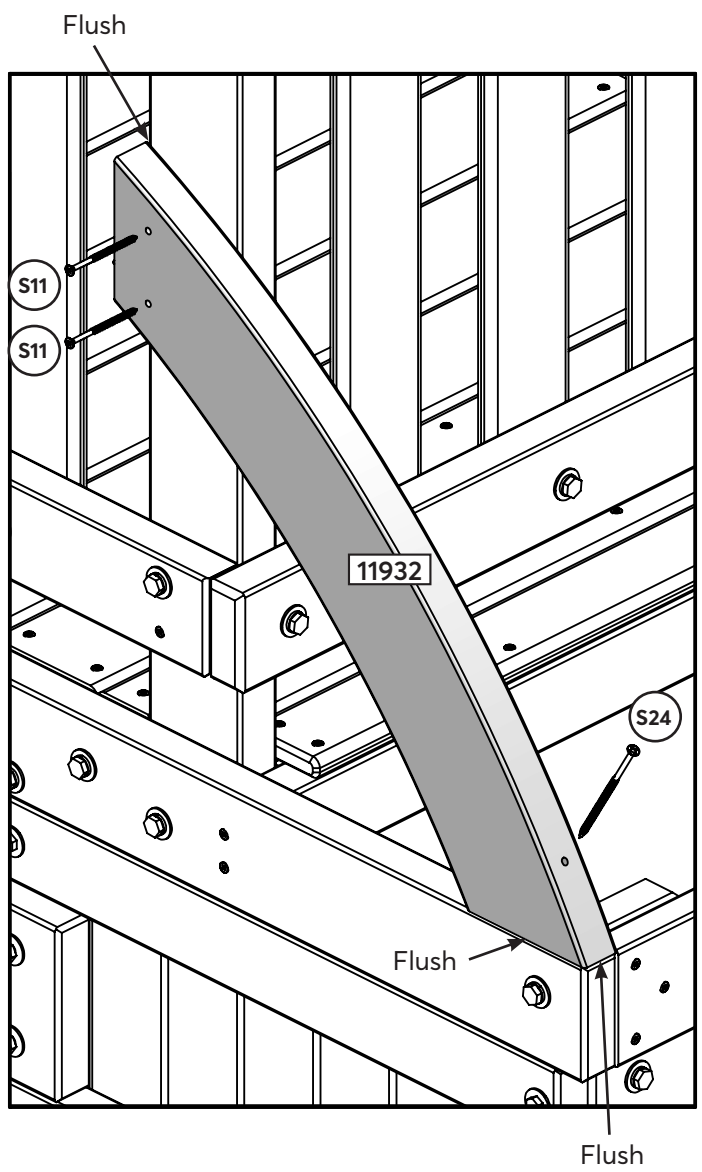
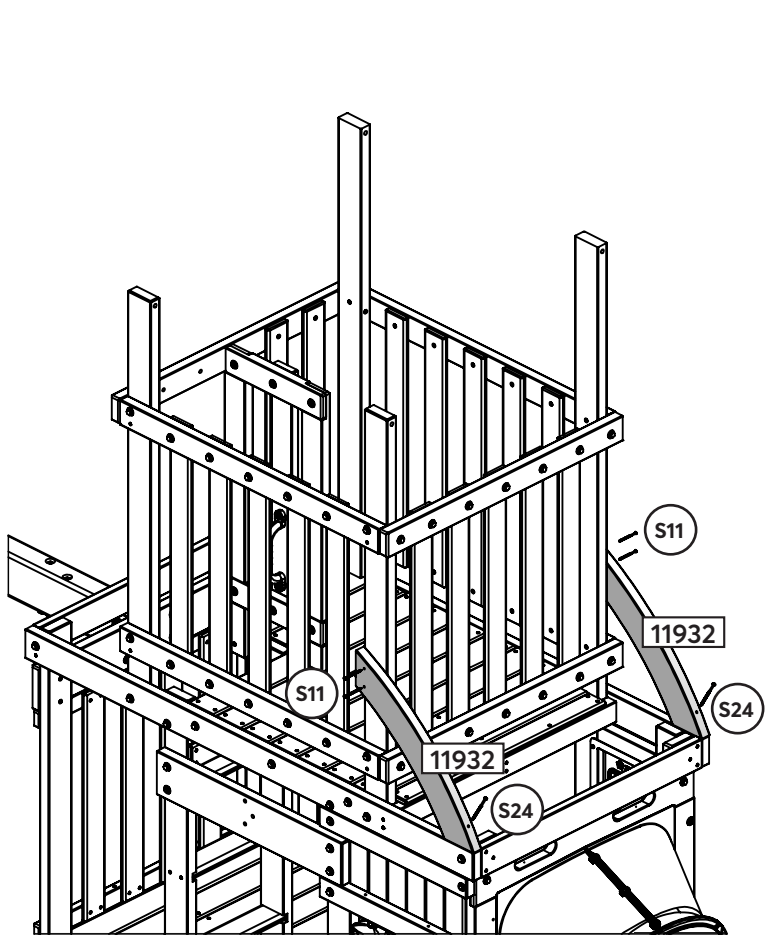
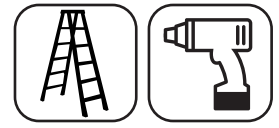
Hardware

4 x **G8** 7.9 x 50.8mm (5/16 x 2 in) (LW2, FW2, TN2)



kidkraft.com

customerservice@kidkraft.com
1.800.933.0771
972.385.0100



Wood Parts

2 x **11932** 31.8 x 127 x 622 mm (1 1/4 x 5 x 22 13/16 in)

Hardware

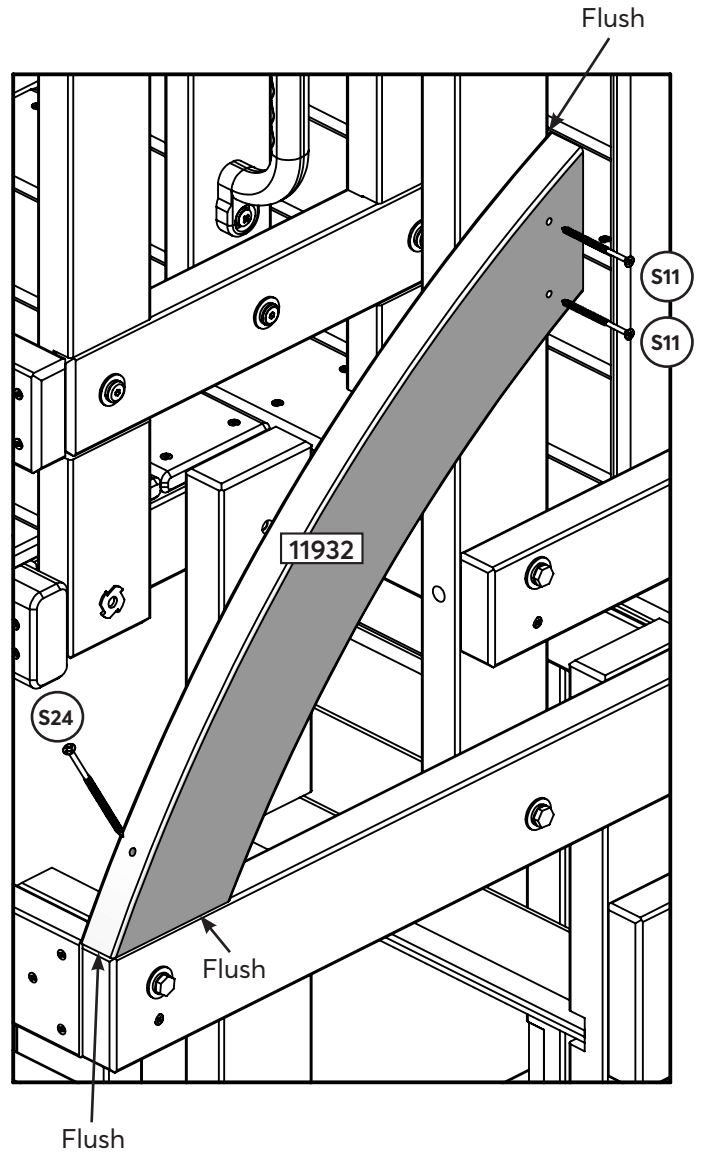
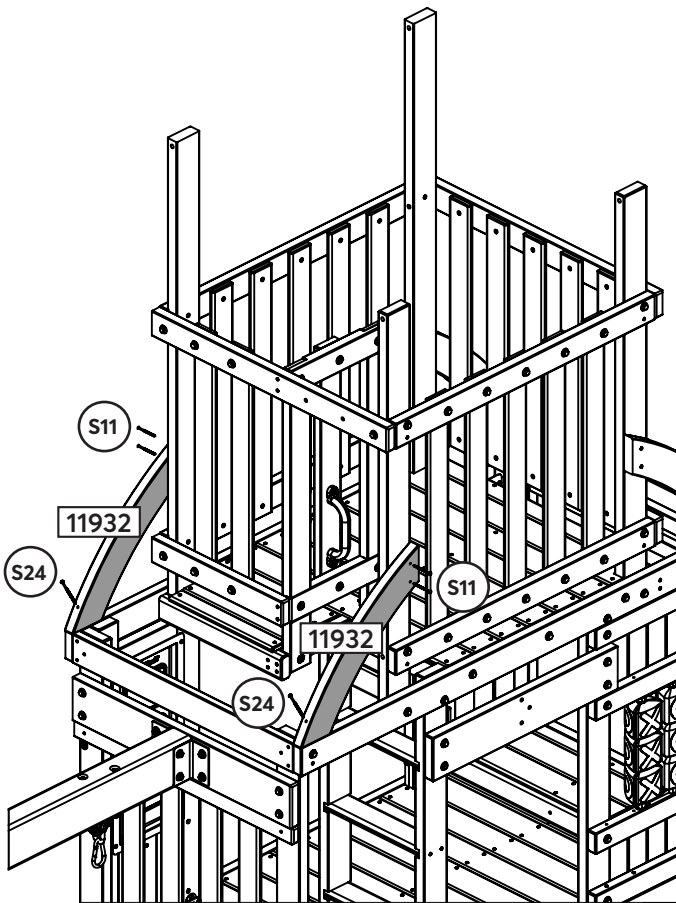
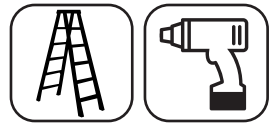
4 x **S11** #8 x 50.8 mm (#8 x 2 in)

2 x **S24** #10 x 101.6 mm (#10 x 4 in)



kidkraft.com

customerservice@kidkraft.com
 1.800.933.0771
 972.385.0100



Wood Parts

2 x 11932 31.8 x 127 x 622 mm (1 1/4 x 5 x 22 13/16 in)

Hardware

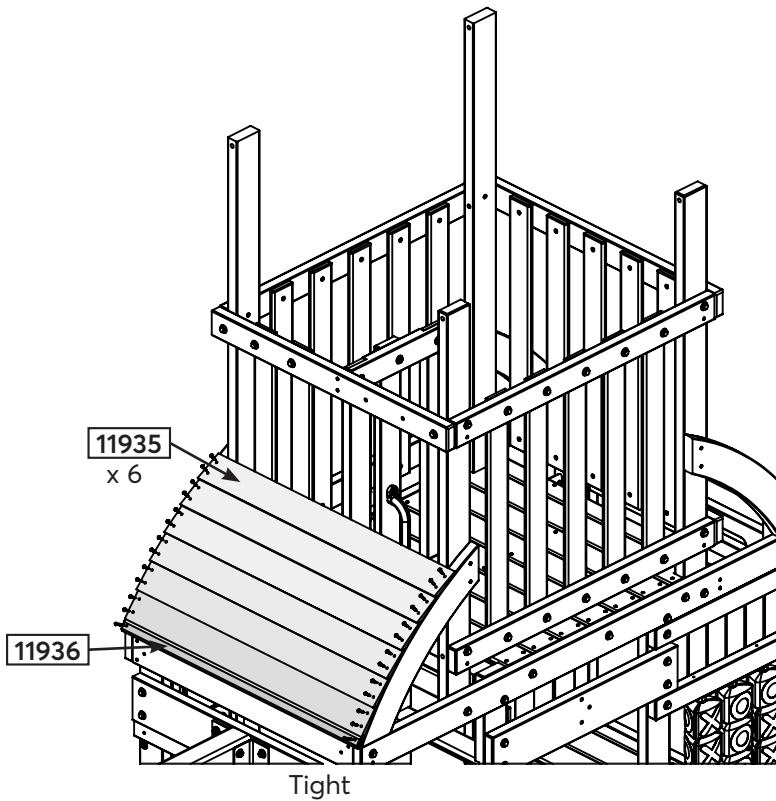
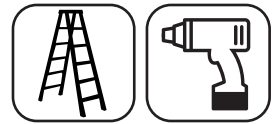
4 x S11 #8 x 50.8 mm (#8 x 2 in)

2 x S24 #10 x 101.6 mm (#10 x 4 in)

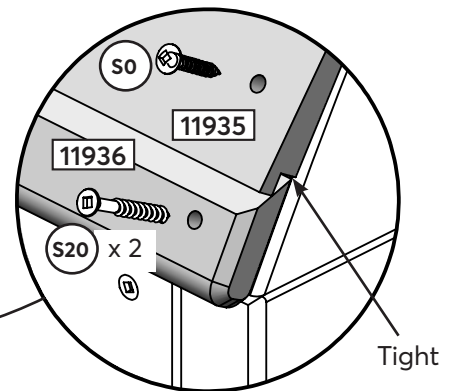
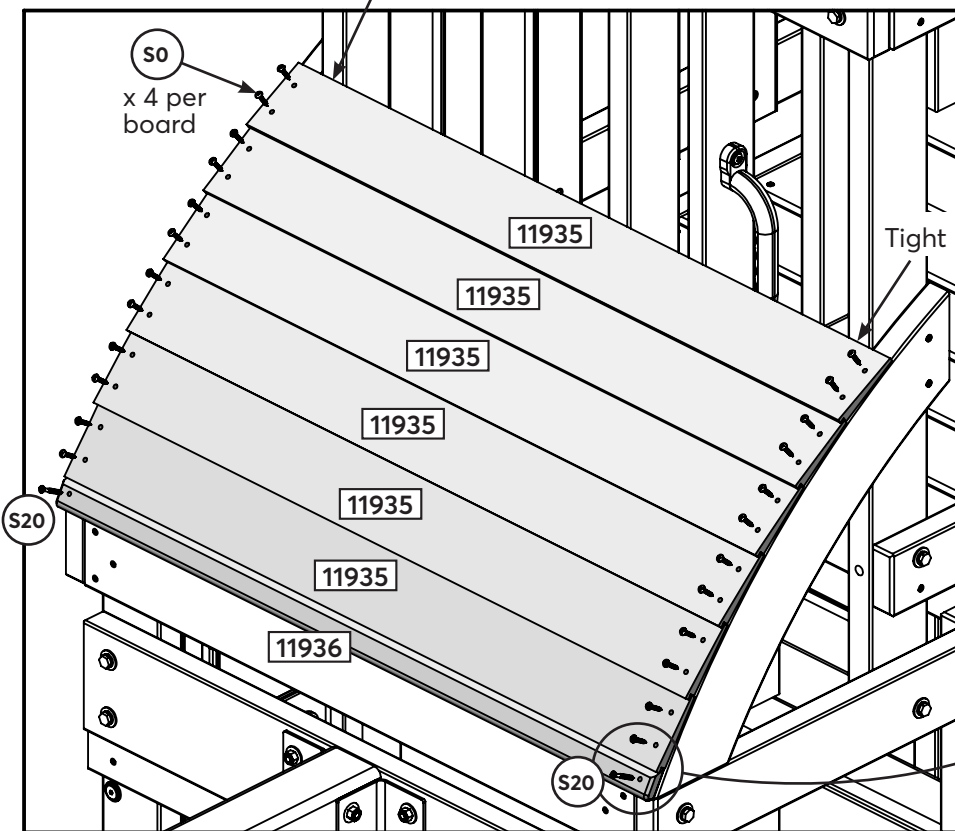
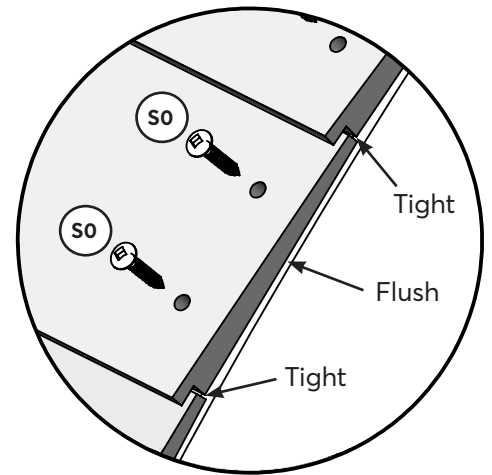


kidkraft.com

customerservice@kidkraft.com
1.800.933.0771
972.385.0100



Panels overlap as shown



Wood Parts

- 6 x **11935** 9.5 x 88.9 x 885.8 mm (3/8 x 3 1/2 x 34 7/8 in)
- 1 x **11936** 15.9 x 38.1 x 885.8 mm (5/8 x 1 1/2 x 34 7/8 in)

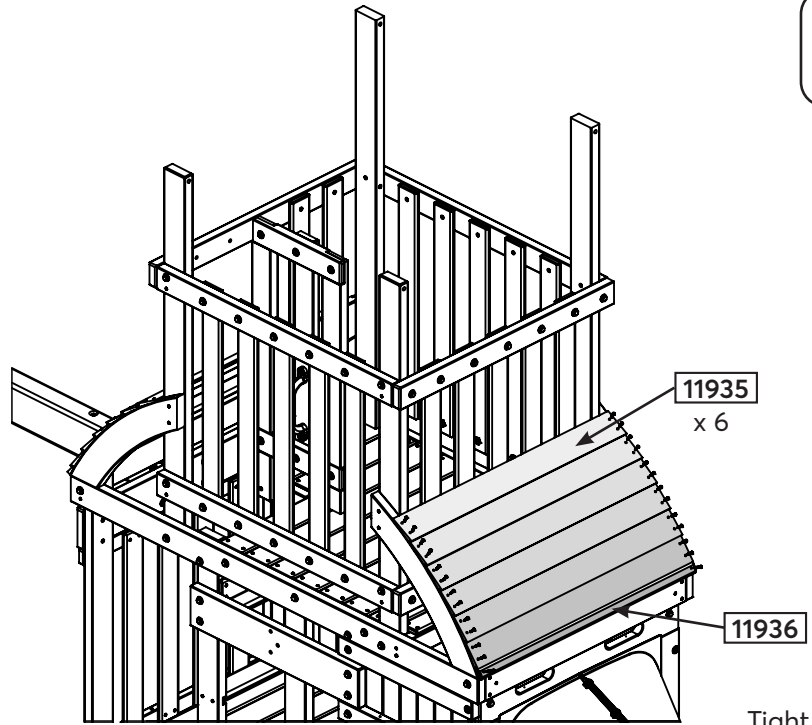
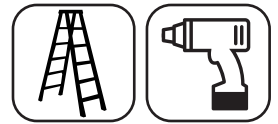
Hardware

- 24 x **S0** #8 x 22.2 mm (#8 x 7/8 in)
- 2 x **S20** #8 x 34.9 mm (#8 x 1-3/8 in)

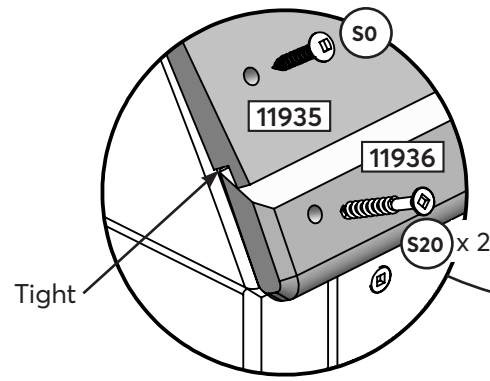
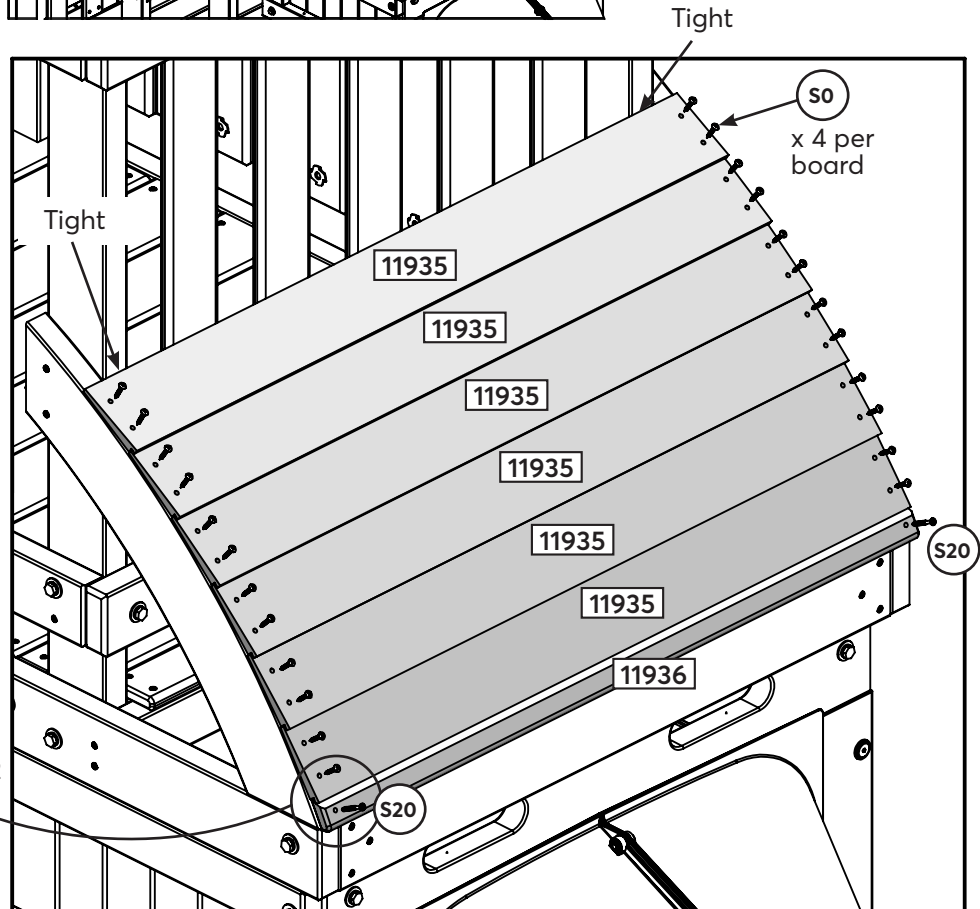
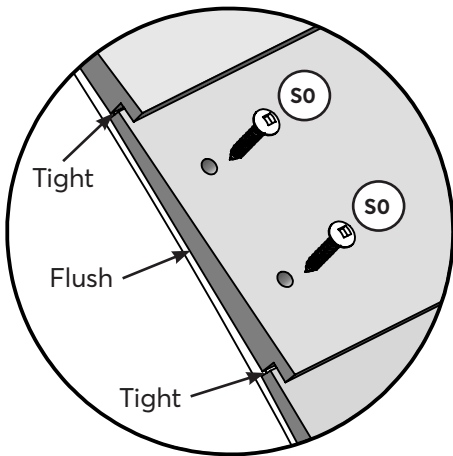


kidkraft.com

customerservice@kidkraft.com
 1.800.933.0771
 972.385.0100



Panels overlap as shown



Wood Parts

- 6 x **11935** 9.5 x 88.9 x 885.8 mm (3/8 x 3 1/2 x 34 7/8 in)
- 1 x **11936** 15.9 x 38.1 x 885.8 mm (5/8 x 1 1/2 x 34 7/8 in)

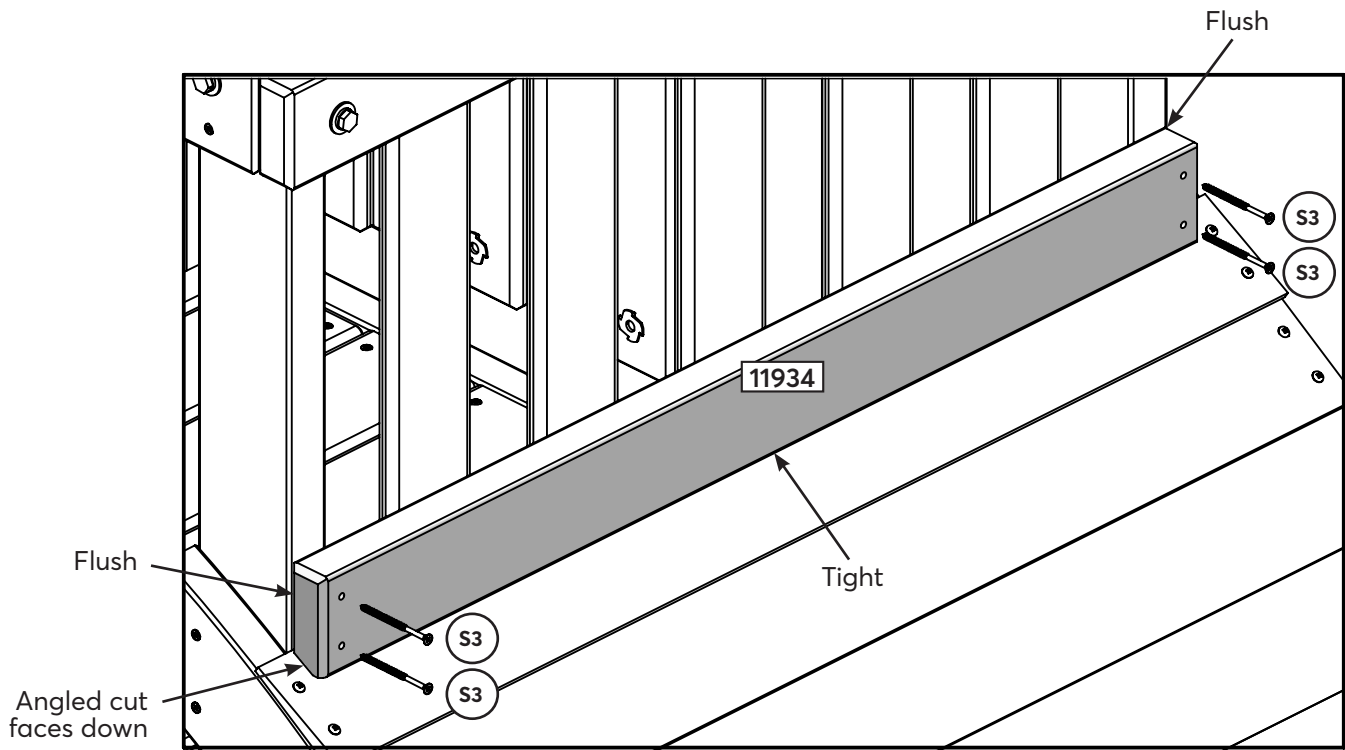
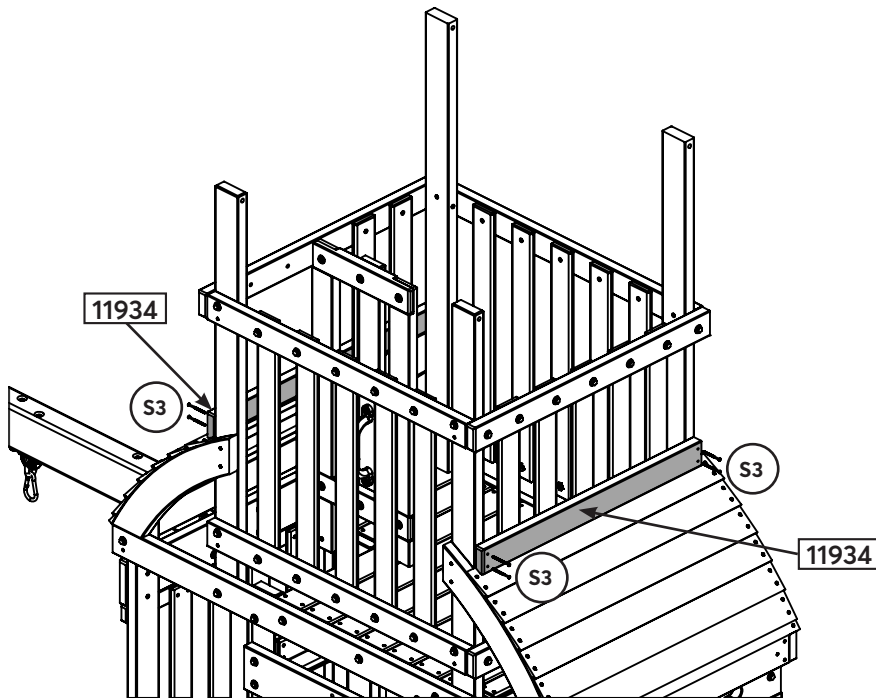
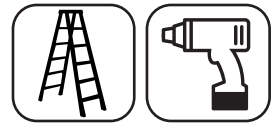
Hardware

- 24 x **S0** #8 x 22.2 mm (#8 x 7/8 in)
- 2 x **S20** #8 x 34.9 mm (#8 x 1-3/8 in)



kidkraft.com

customerservice@kidkraft.com
 1.800.933.0771
 972.385.0100

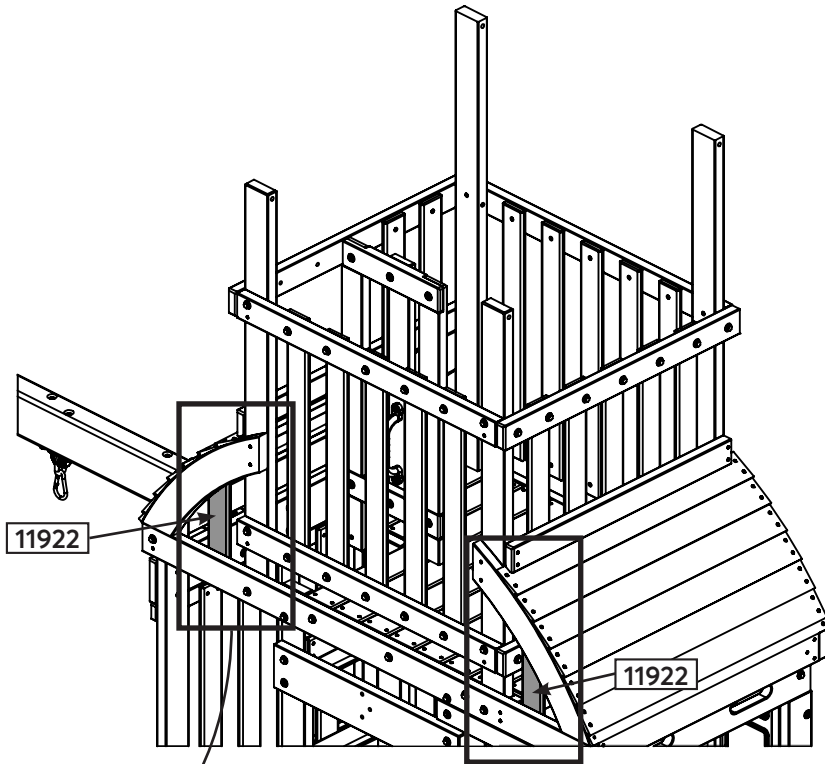


Wood Parts

2 x 11934 31.8 x 76.2 x 822.3 mm (1 1/4 x 3 x 32 3/8 in)

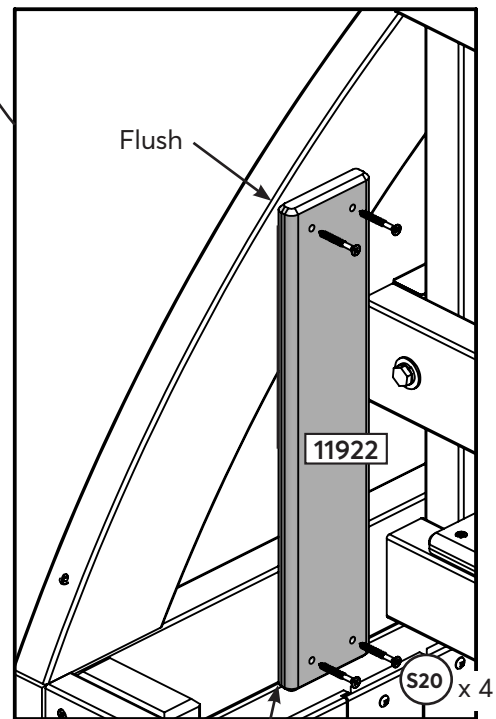
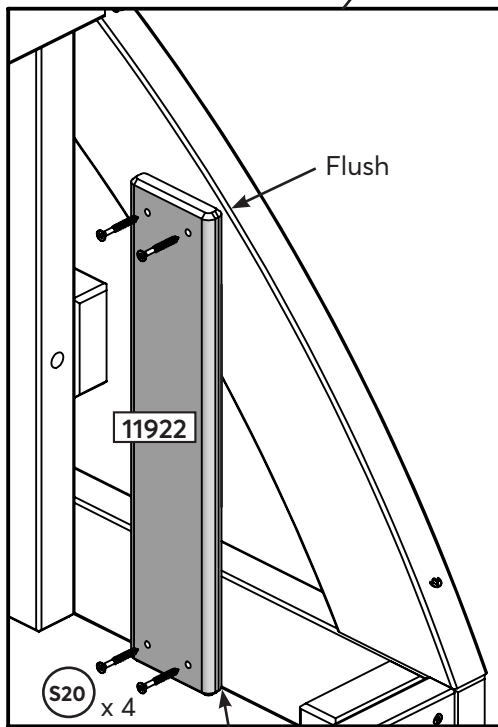
Hardware

8 x S3 #8 x 63.5 mm (#8 x 2-1/2 in)



Rotated Inside View

Rotated Inside View



Wood Parts

2 x 11922 15.9 x 76.2 x 368.3 mm (5/8 x 3 x 14 1/2 in)

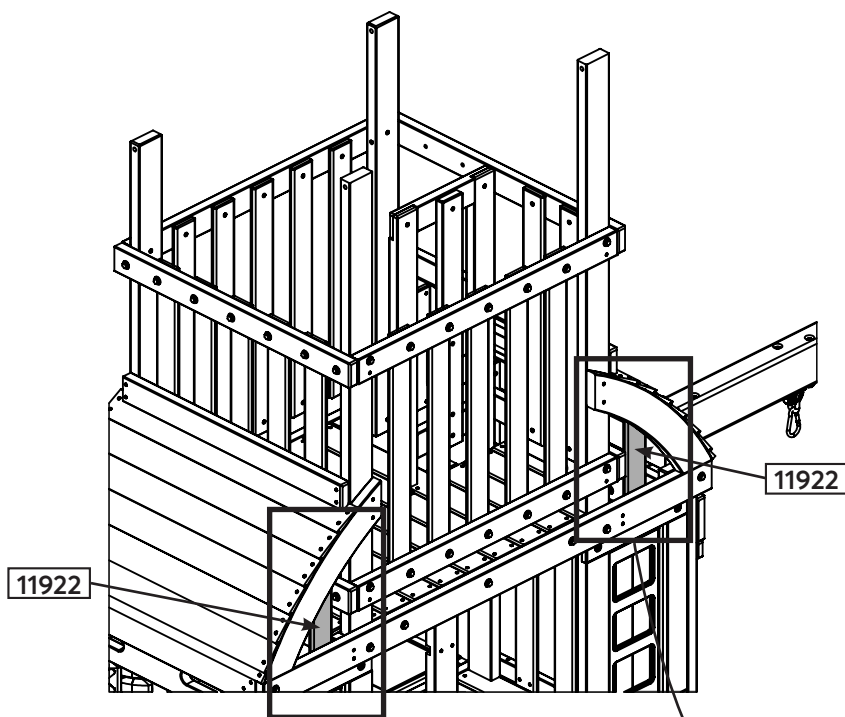
Hardware

8 x S20 #8 x 34.9 mm (#8 x 1-3/8 in)

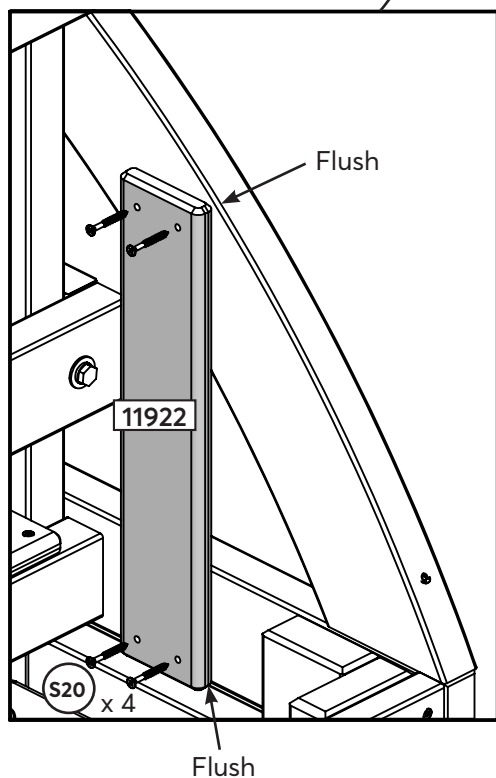


kidkraft.com

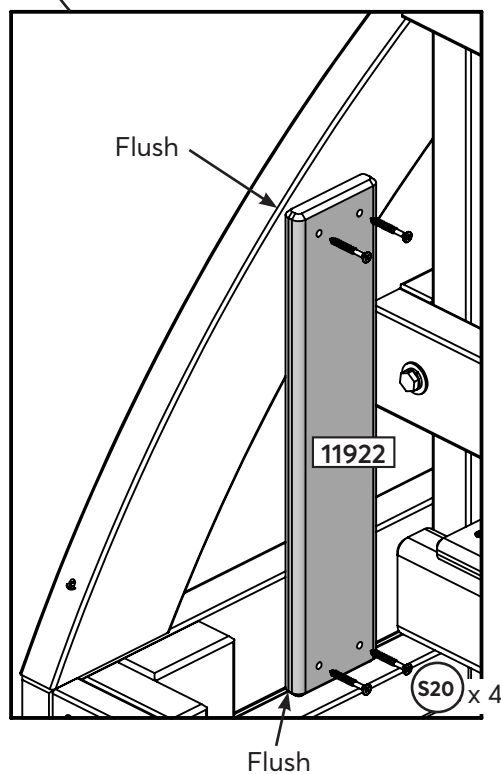
customerservice@kidkraft.com
1.800.933.0771
972.385.0100



Rotated Inside View



Rotated Inside View



Wood Parts

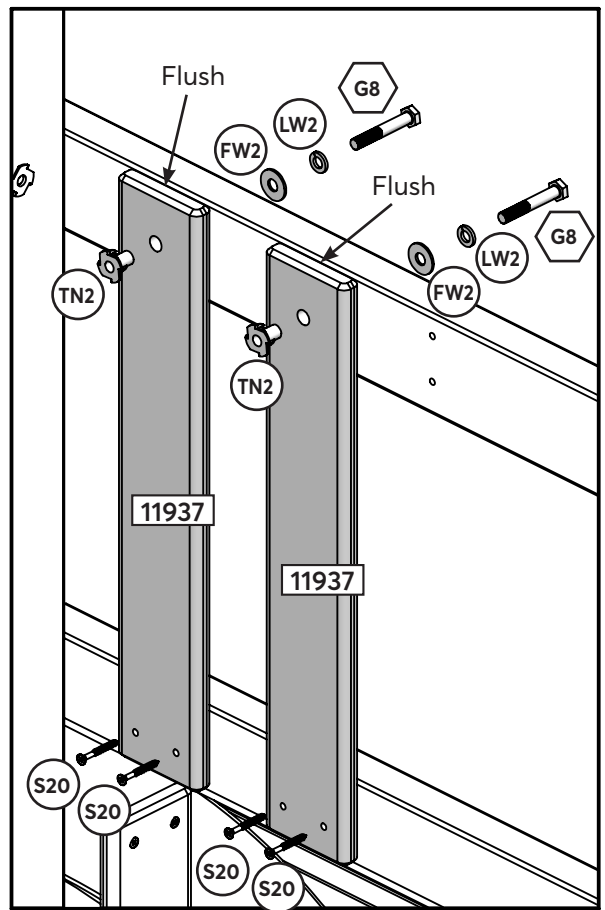
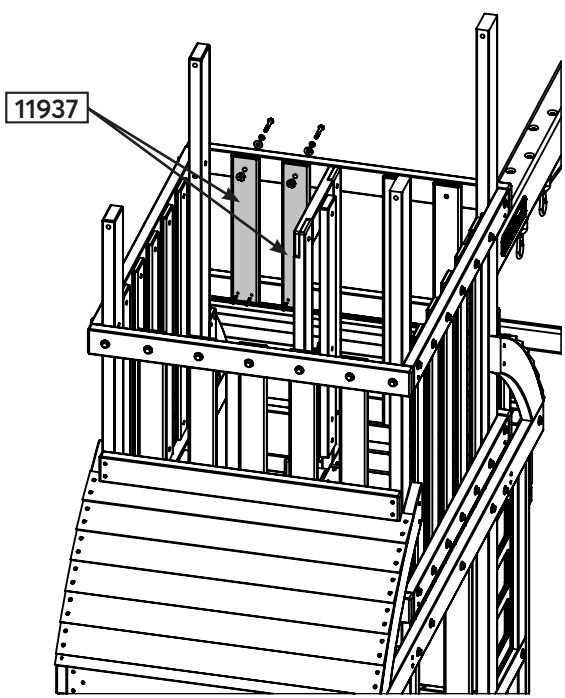
2 x **11922** 15.9 x 76.2 x 368.3 mm (5/8 x 3 x 14 1/2 in)

Hardware

8 x **S20** #8 x 34.9 mm (#8 x 1-3/8 in)



Assemble T-Nut first with hammer!



Wood Parts

2 x **11937** 15.9 x 76.2 x 444.5 mm (5/8 x 3 x 17 1/2 in)

Hardware

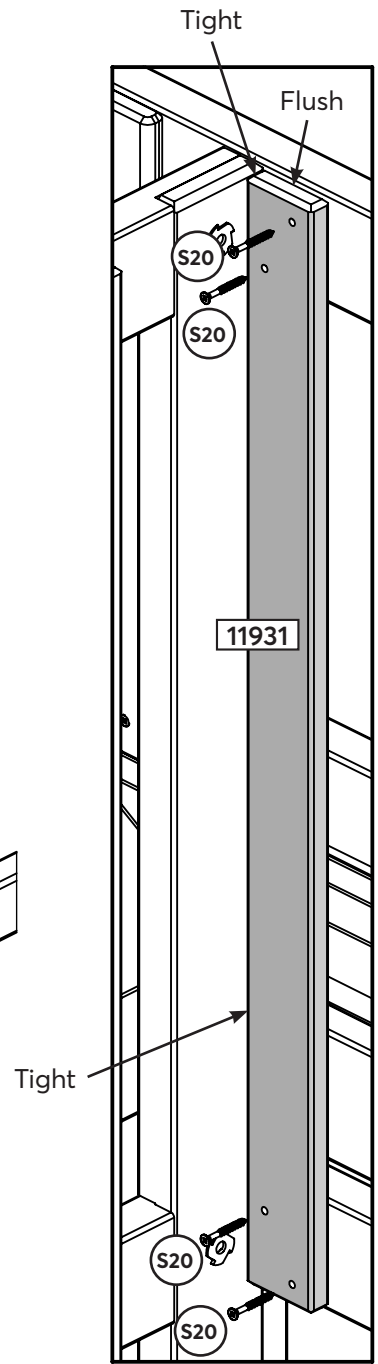
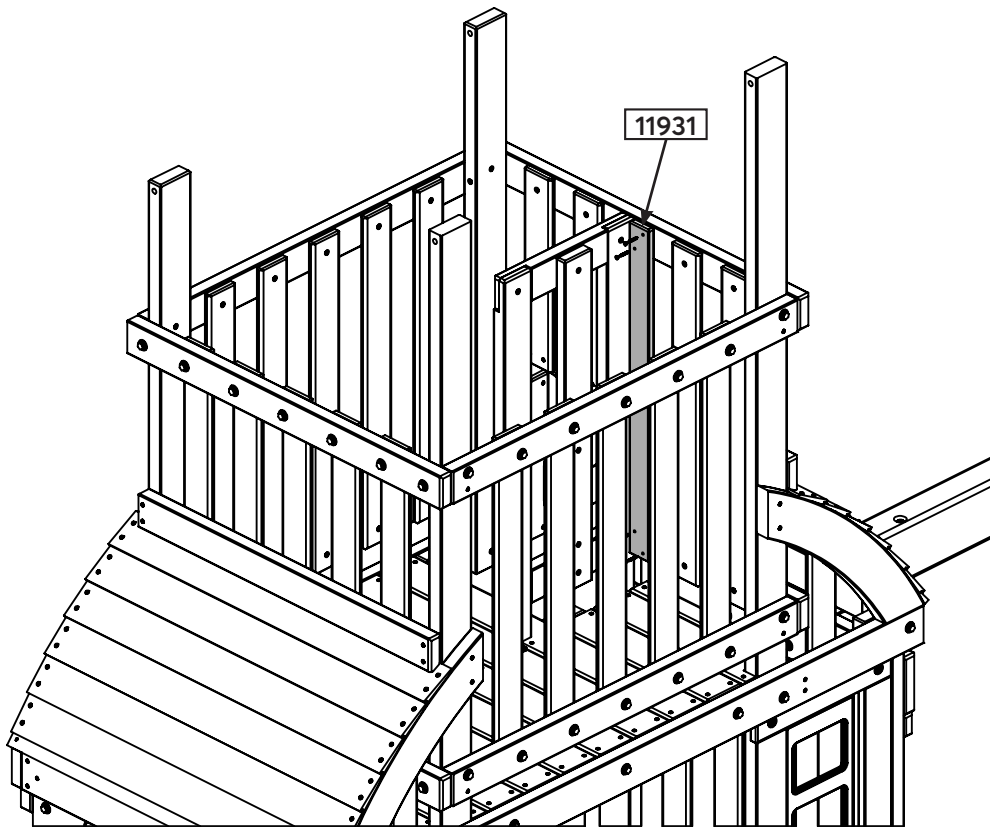
2 x **G8** 7.9 x 50.8mm (5/16 x 2 in) (LW2, FW2, TN2)

4 x **S20** #8 x 34.9 mm (#8 x 1-3/8 in)



kidkraft.com

customerservice@kidkraft.com
1.800.933.0771
972.385.0100



Wood Parts

1 x 11931 15.9 x 55 x 762 mm (5/8 x 2 3/16 x 30 in)

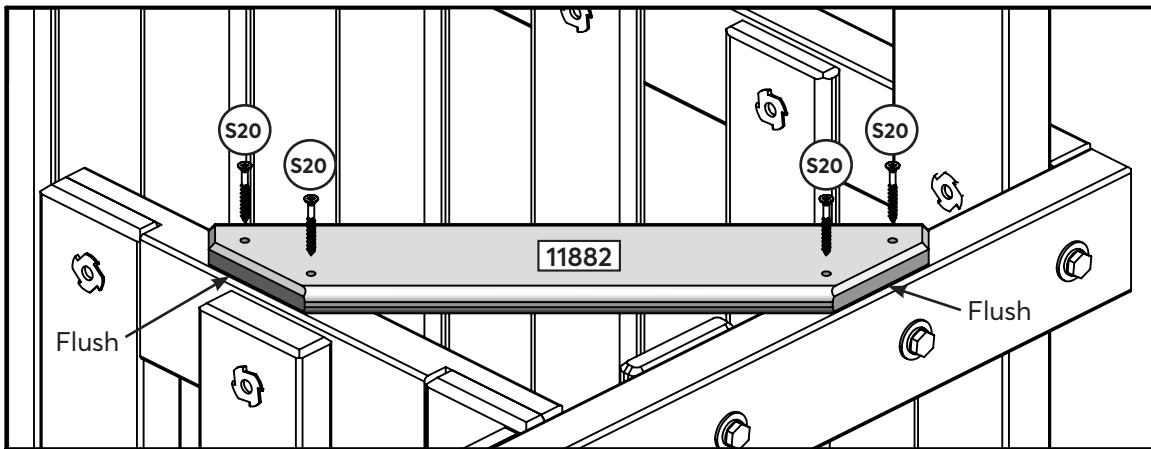
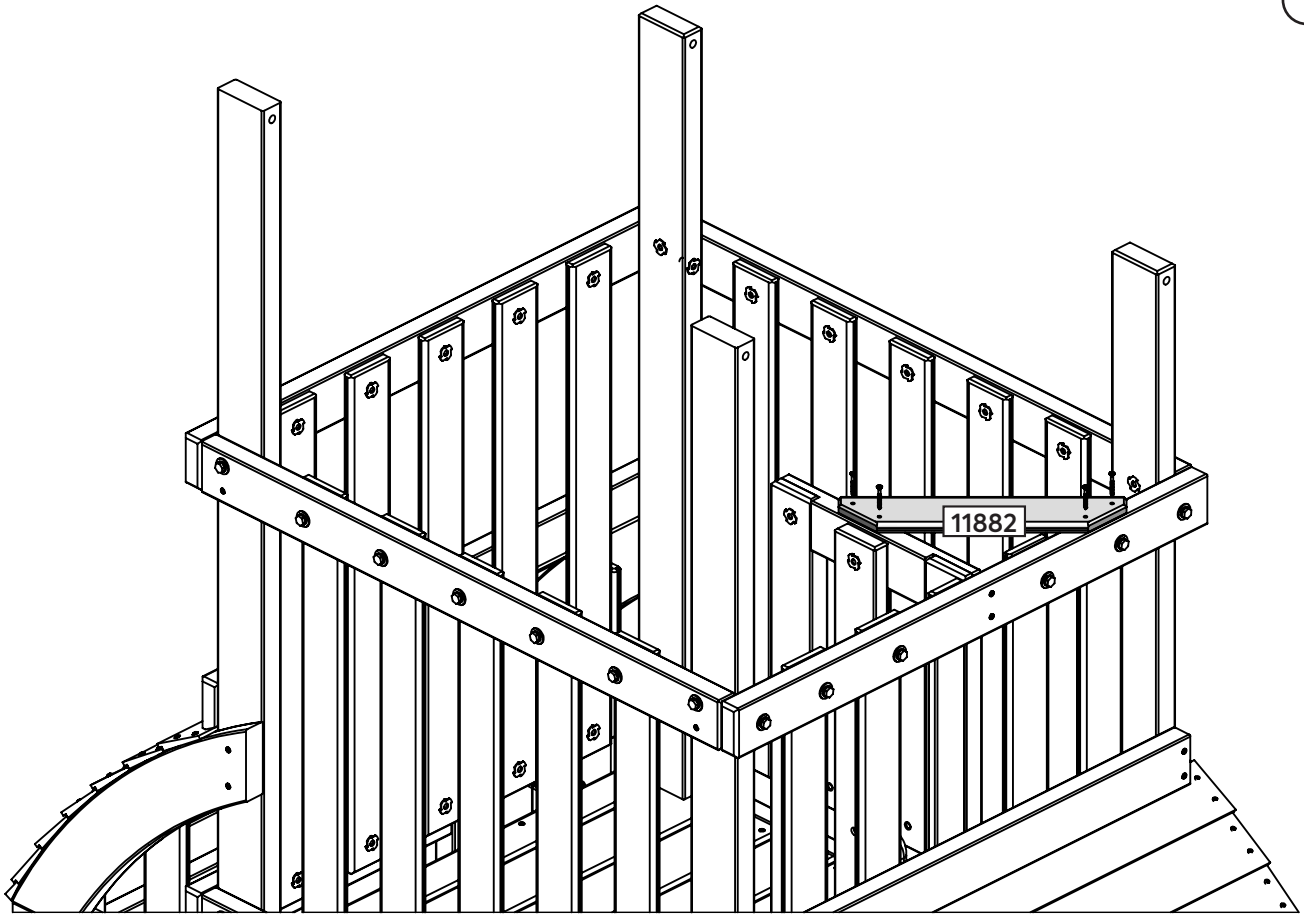
Hardware

4 x S20 #8 x 34.9 mm (#8 x 1-3/8 in)



kidkraft.com

customerservice@kidkraft.com
1.800.933.0771
972.385.0100



Wood Parts

1 x **11882** 15.9 x 76.2 x 381 mm (5/8 x 3 x 15 in)

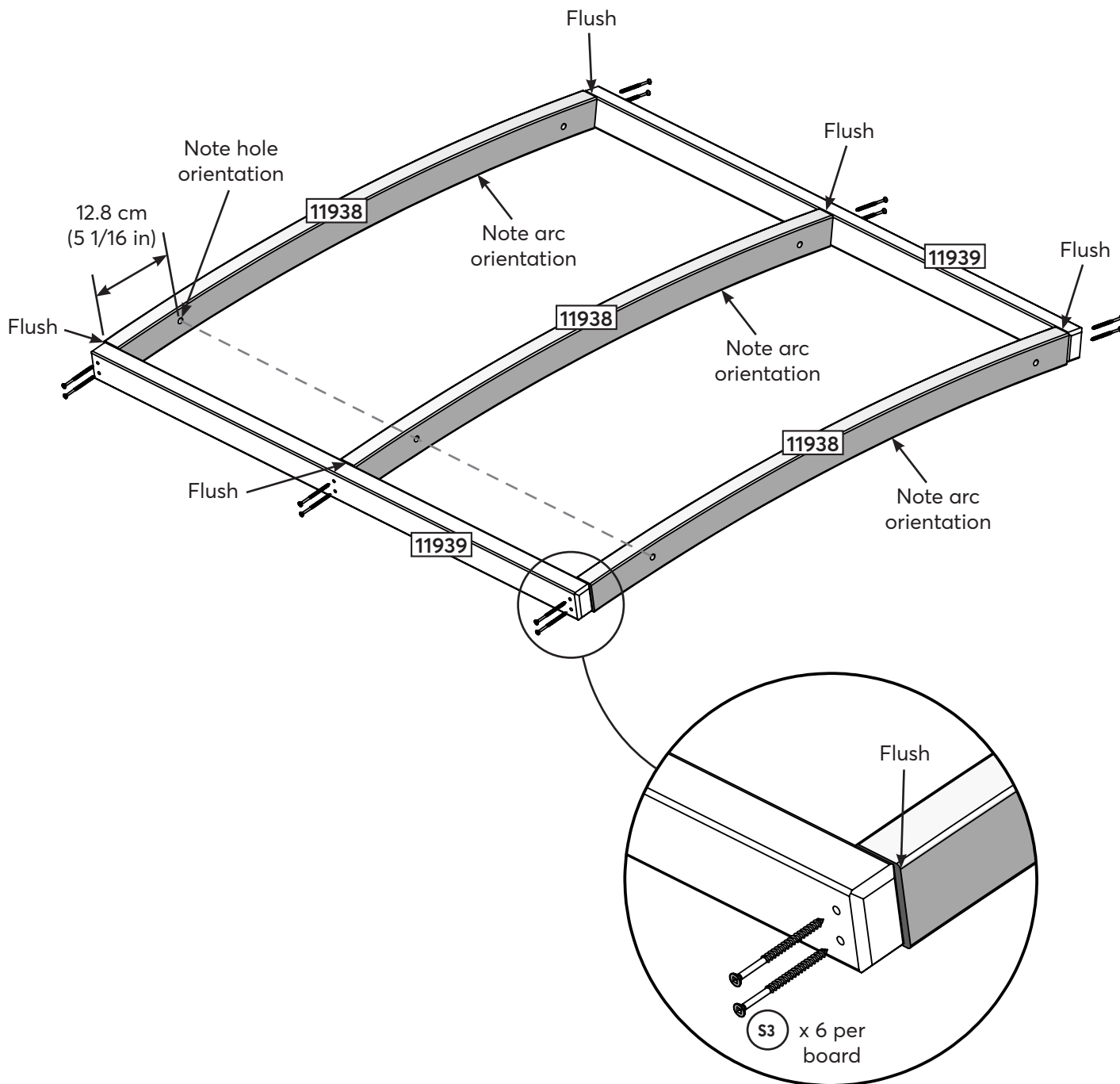
Hardware

4 x **S20** #8 x 34.9 mm (#8 x 1-3/8 in)



kidkraft.com

customerservice@kidkraft.com
1.800.933.0771
972.385.0100



Wood Parts

- 3 x **11938** 31.8 x 85.7 x 1016.1 mm (1 1/4 x 3 3/8 x 41 7/16 in)
- 2 x **11939** 31.8 x 50.8 x 1035 mm (1 1/4 x 2 x 40 3/4 in)

Hardware

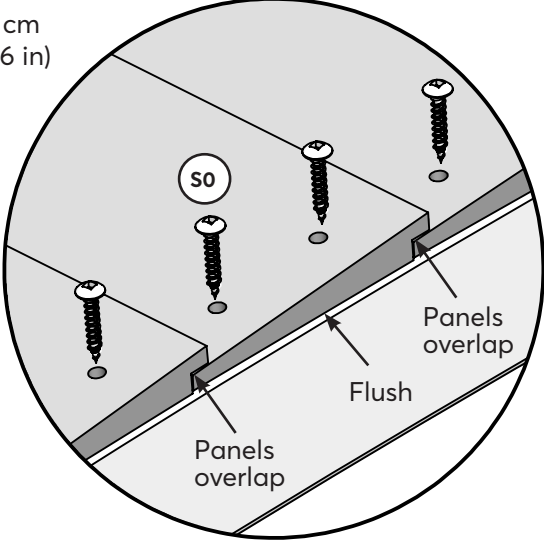
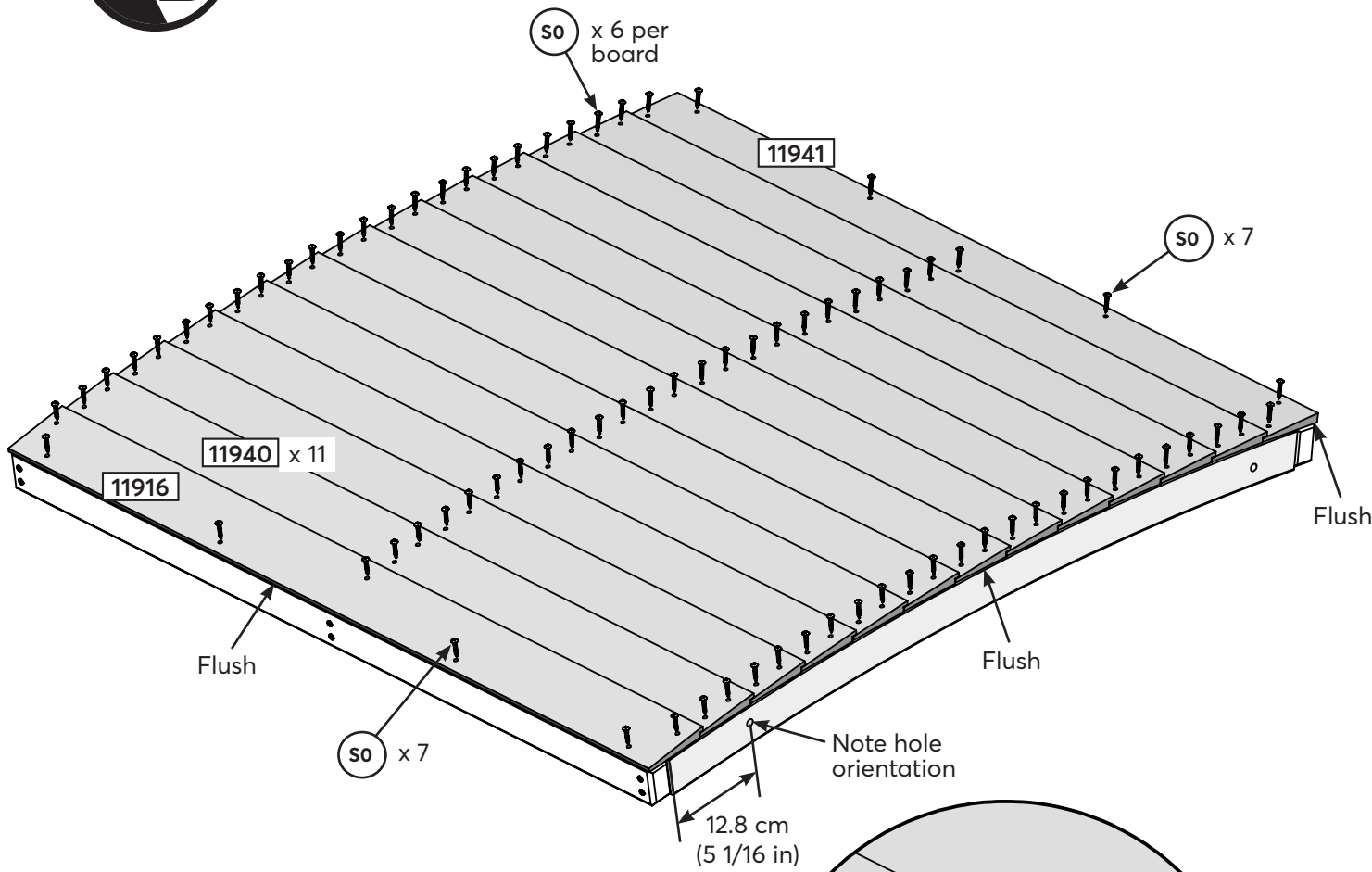
- 12 x **S3** #8 x 63.5 mm (#8 x 2-1/2 in)



kidkraft.com

customerservice@kidkraft.com
 1.800.933.0771
 972.385.0100

Evenly space the boards



Wood Parts

- 1 x **11916** 9.5 x 88.9 x 1035 mm (3/8 x 3 1/2 x 40 3/4 in)
- 11 x **11940** 9.5 x 88.9 x 1035 mm (3/8 x 3 1/2 x 40 3/4 in)
- 1 x **11941** 9.5 x 88.9 x 1035 mm (3/8 x 3 1/2 x 40 3/4 in)

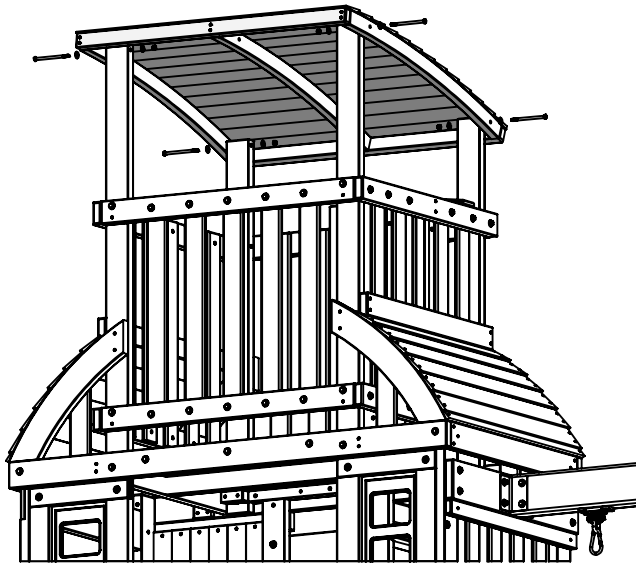
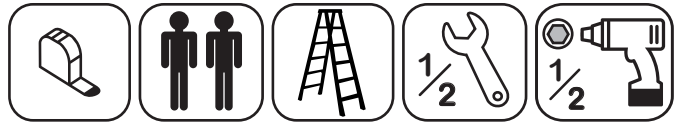
Hardware

- 80 x **SO** #8 x 22.2 mm (#8 x 7/8 in)



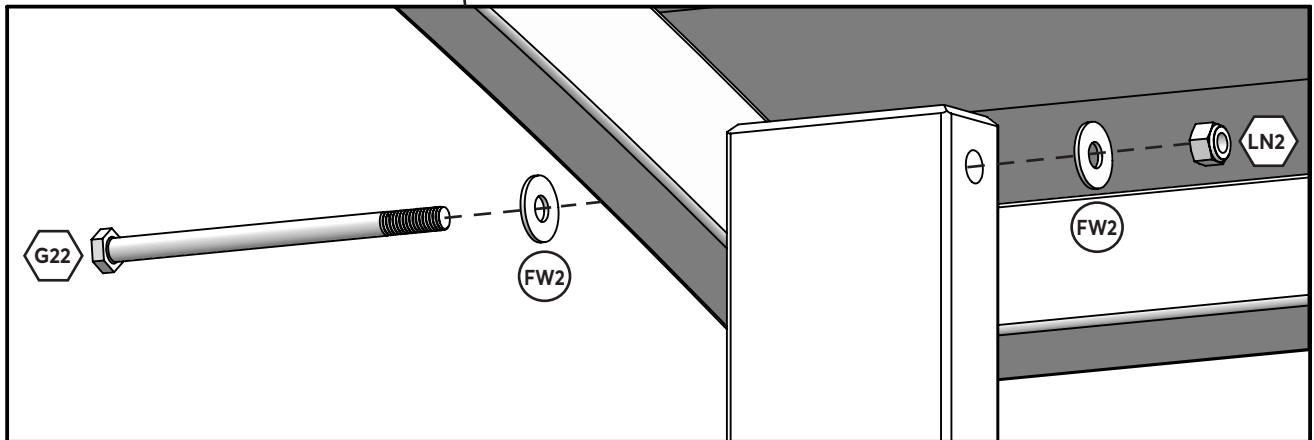
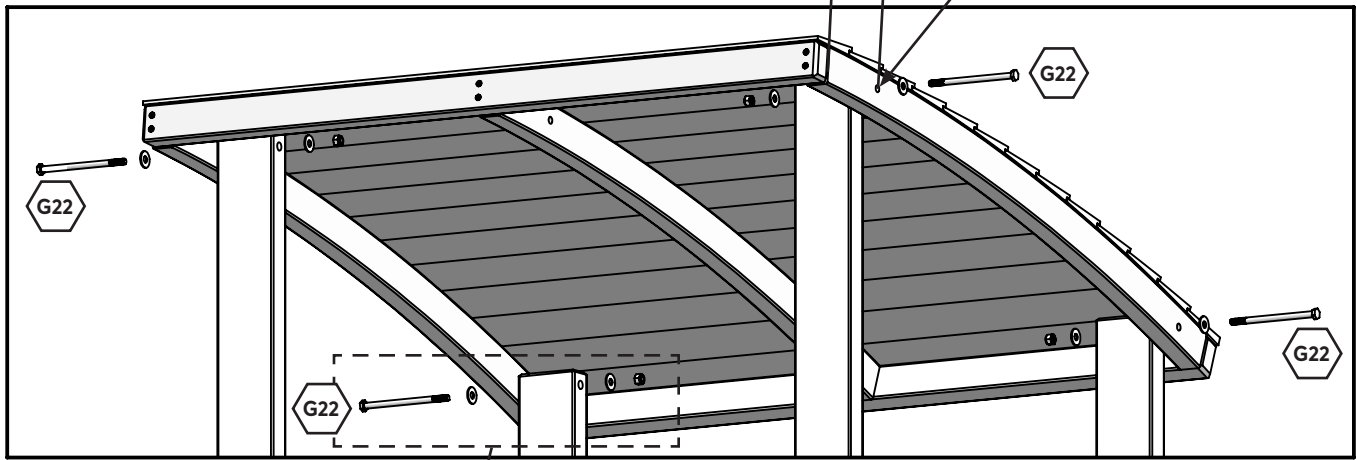
kidkraft.com

customerservice@kidkraft.com
 1.800.933.0771
 972.385.0100



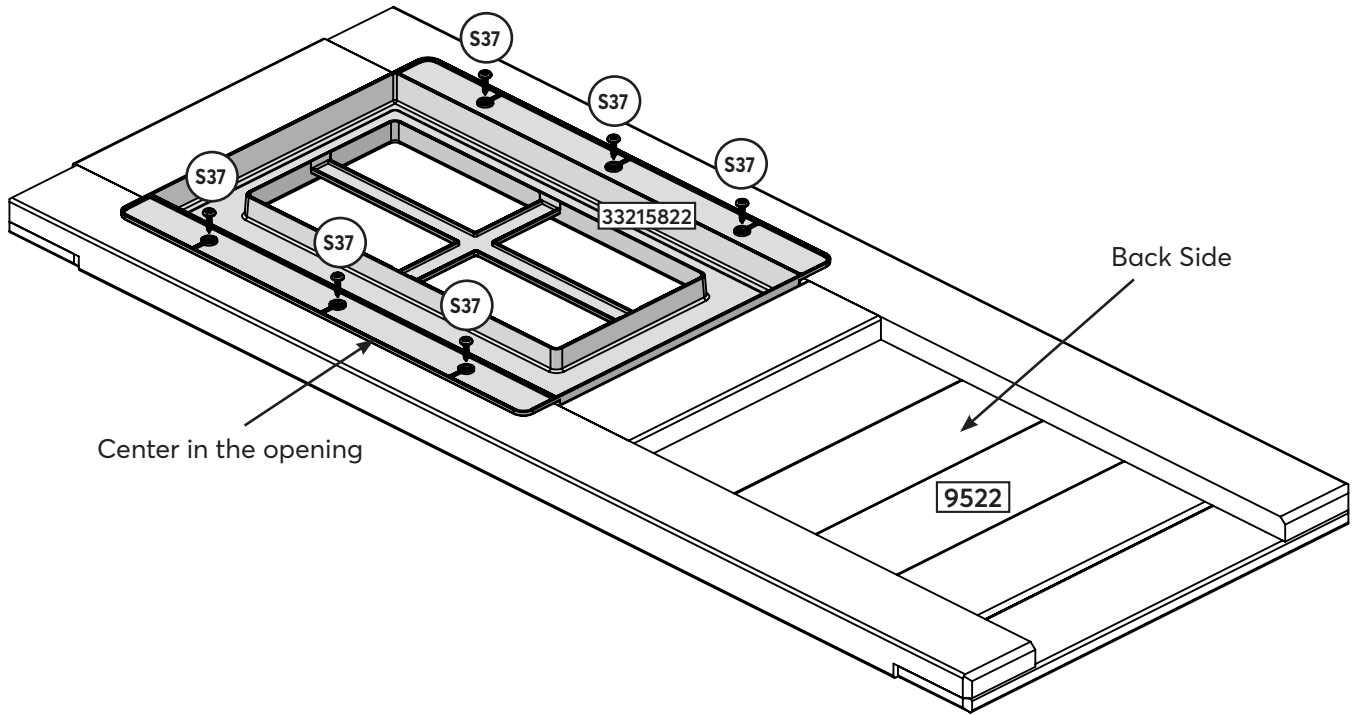
12.8 cm
(5 1/16 in)

Note hole
orientation



Hardware

4 x G22 7.9 x 127 mm (5/16 x 5 in) (FW2 x 2, LN2)



Wood Parts

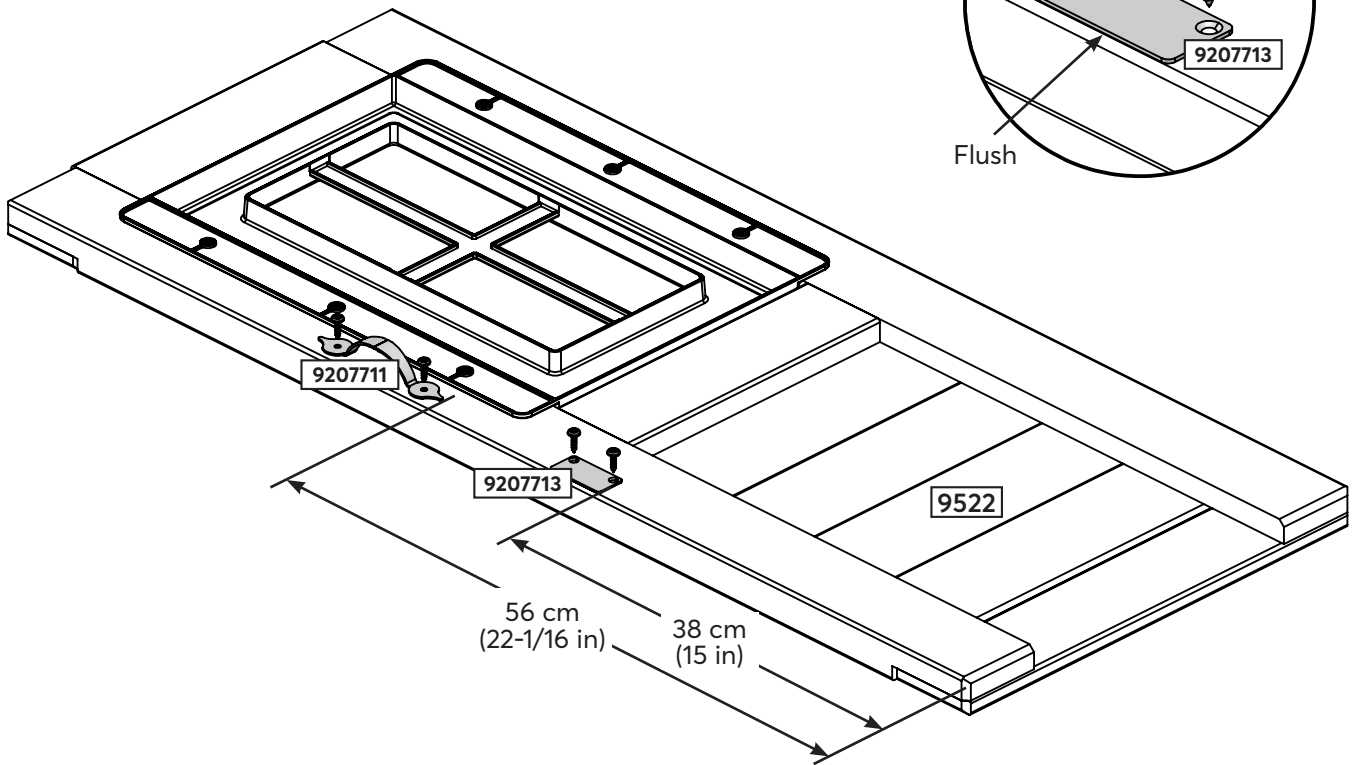
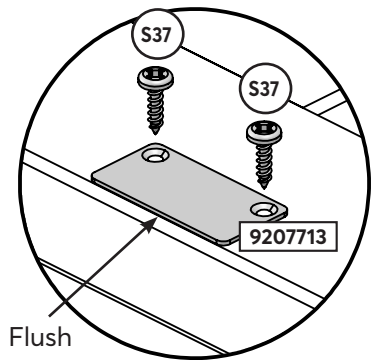
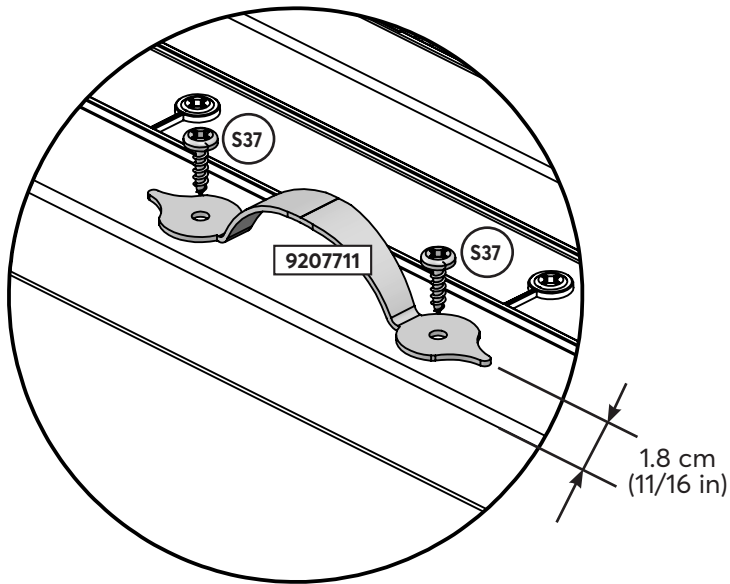
1 x **9522** 31.8 x 396.9 x 990.6 mm (1 1/4 x 15 5/8 x 39 in)

Hardware

6 x **S37** #7 x 15.9 mm (#7 x 5/8 in)

Other Parts

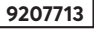
1 x **33215822**




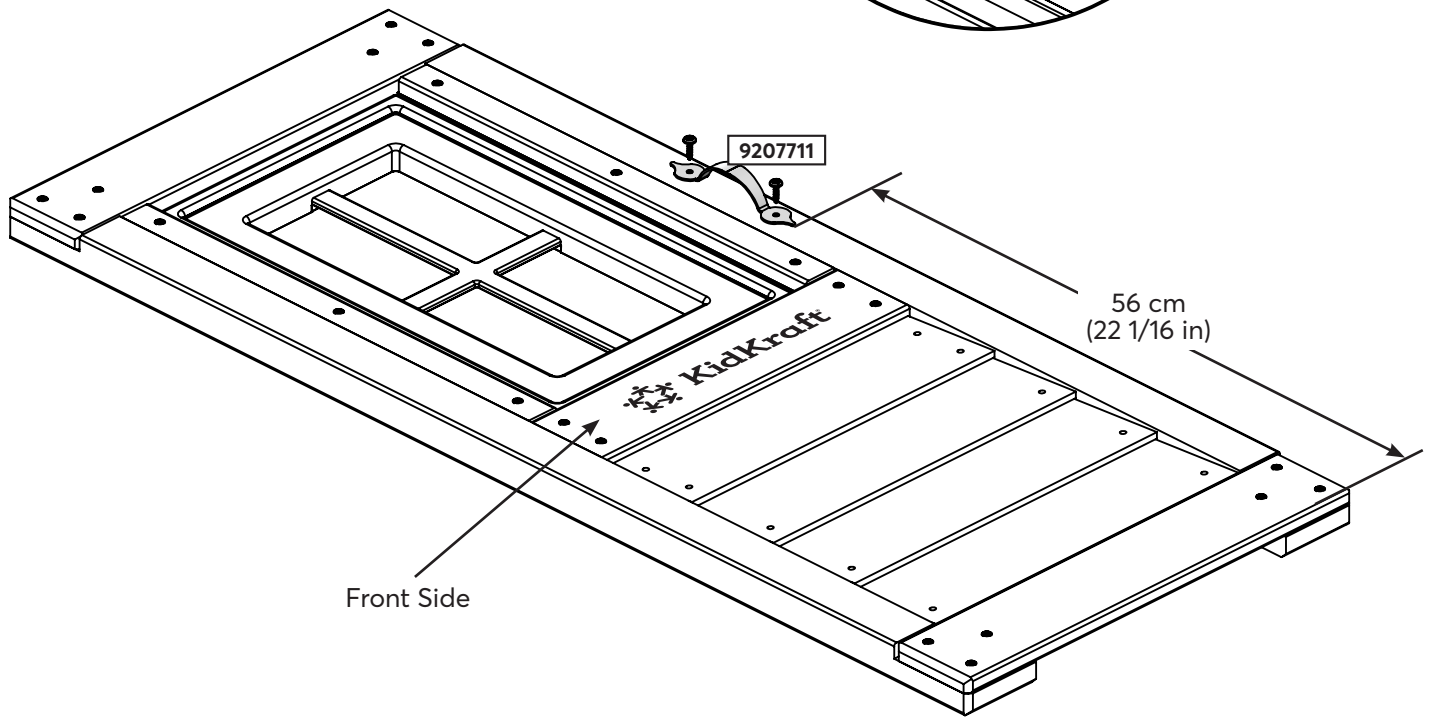
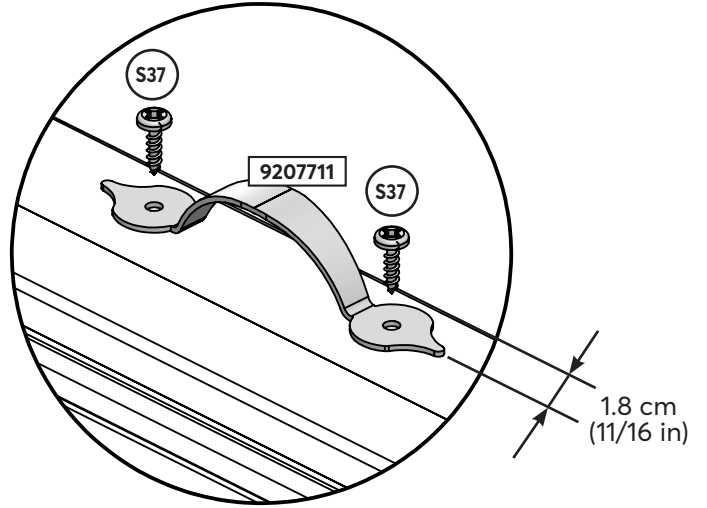
Hardware

4 x  #7 x 15.9 mm (#7 x 5/8 in)

Other Parts

1 x 

1 x 

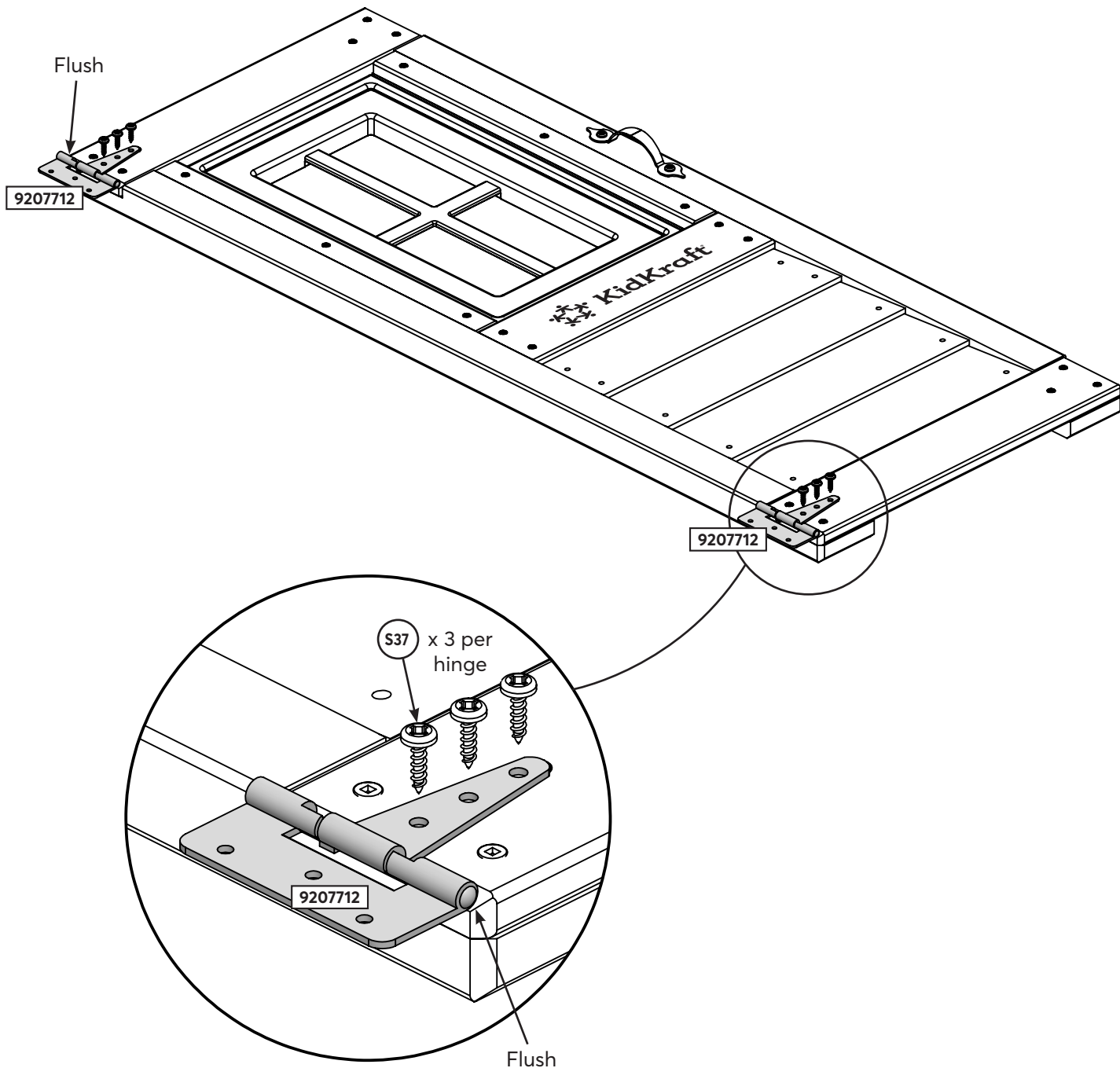


Hardware


2 x (S37) #7 x 15.9 mm (#7 x 5/8 in)

Other Parts

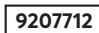
1 x 9207711

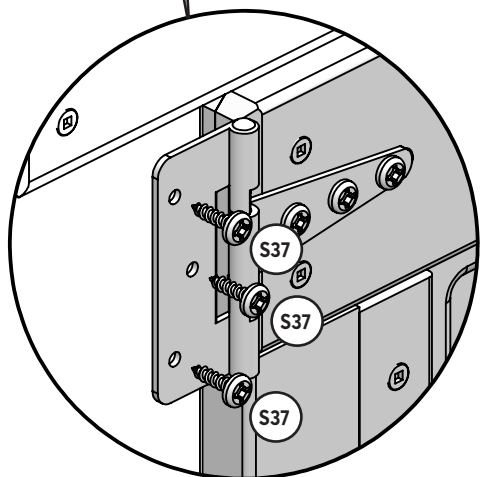
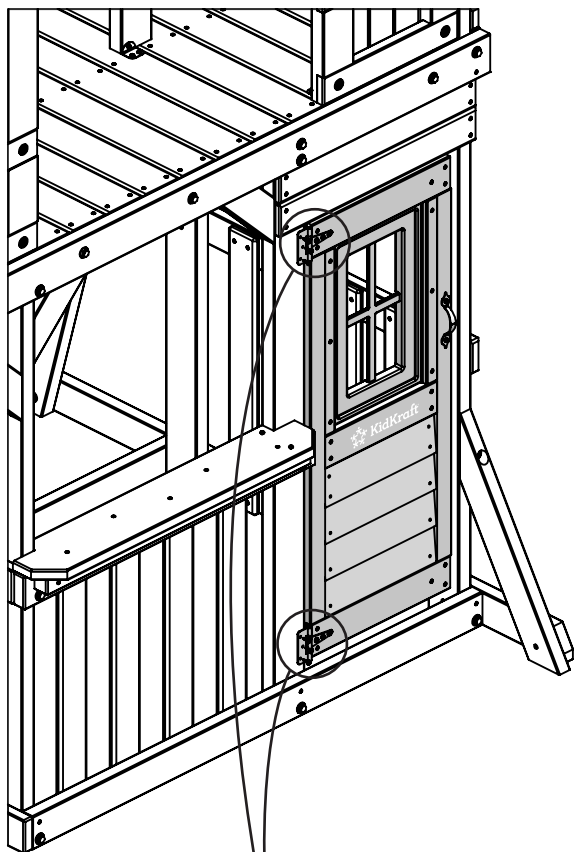


Hardware

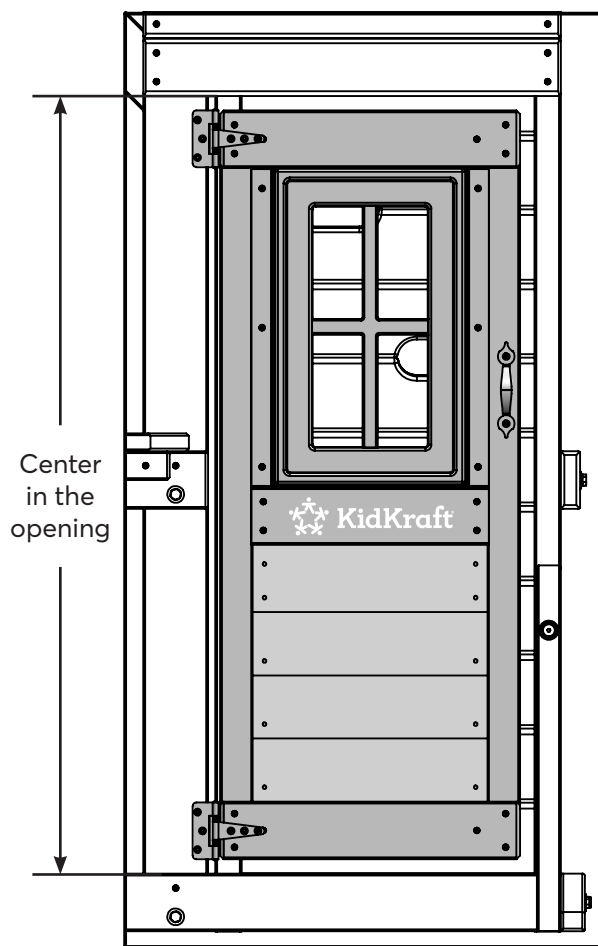
6 x  #7 x 15.9 mm (#7 x 5/8 in)

Other Parts

2 x 

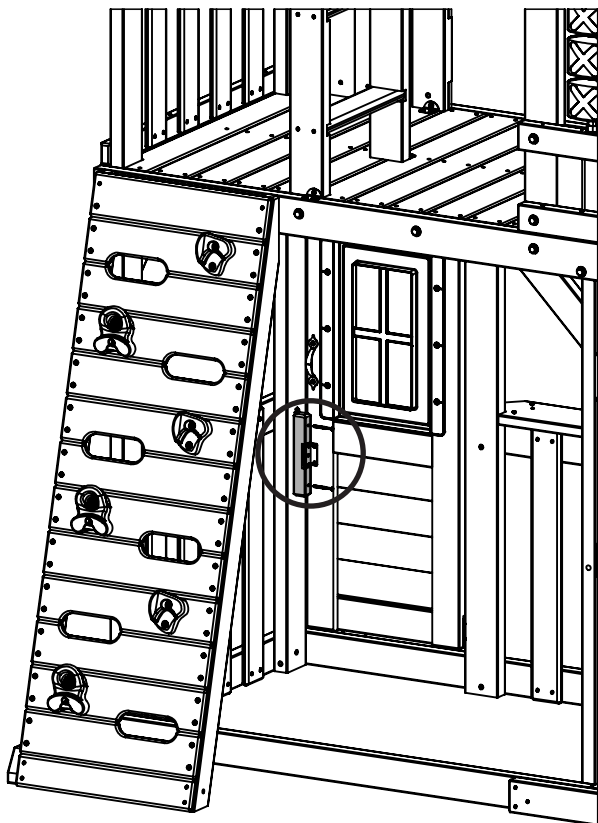
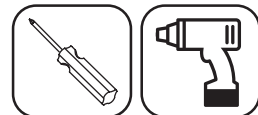


Front View



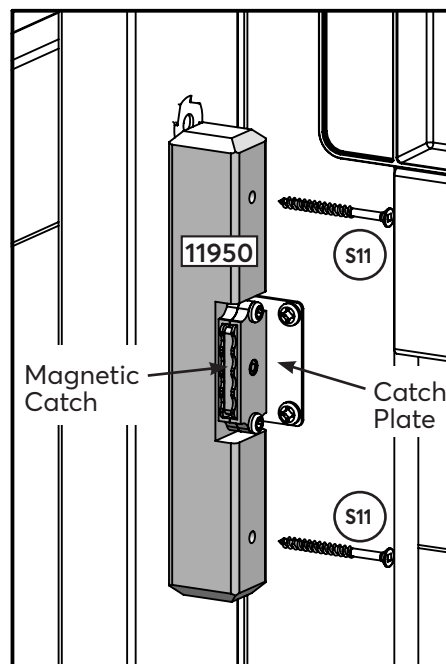
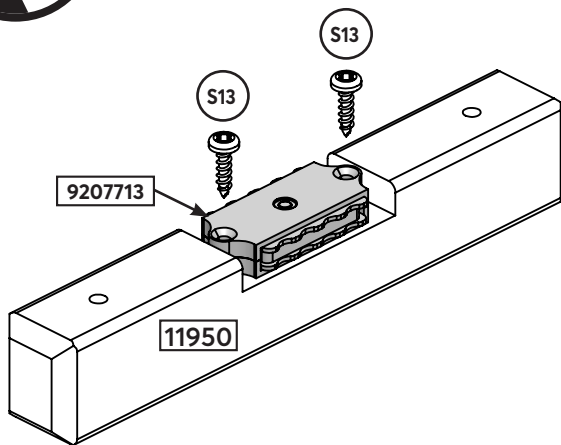
Hardware

6 x (S37) #7 x 15.9 mm (#7 x 5/8 in)



Close door and vertically center magnetic catch to catch plate to assemble

Important: Use a handheld screwdriver and DO NOT overtighten



Wood Parts

1 x 11950 25.4 x 31.8 x 177.8 mm (1 x 1 1/4 x 7 in)

Hardware

2 x S11 #8 x 50.8 mm (#8 x 2 in)

2 x S13 #6 x 15.9 mm (#6 x 5/8 in)



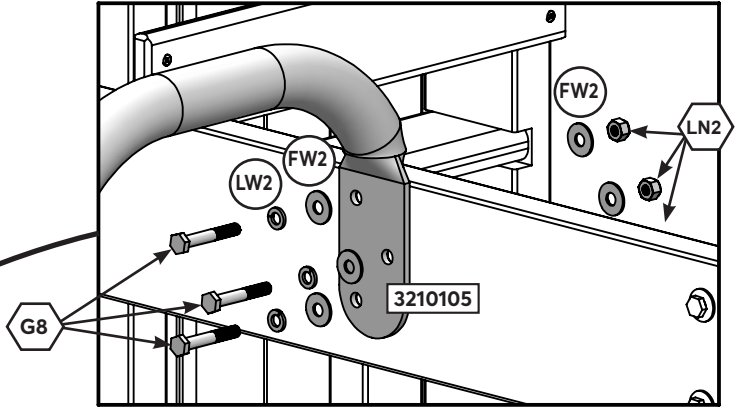
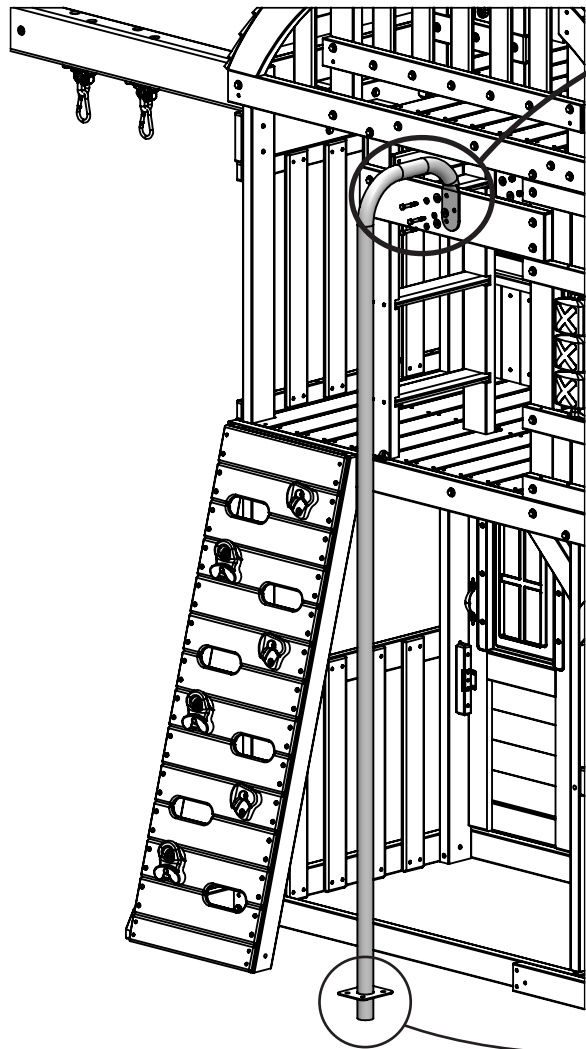
kidkraft.com

customerservice@kidkraft.com
1.800.933.0771
972.385.0100



MOVE FORT TO FINAL LOCATION PRIOR TO STAKING
FINAL LOCATION MUST BE LEVEL GROUND

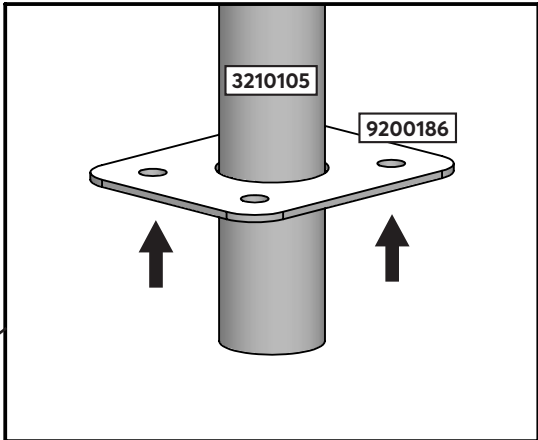
SEE COVER PAGE FOR
 SAFETY CLEARANCE



Make sure the Fireman Pole is straight
 and that the bottom of the pole is
 inserted into the ground as needed



pole is to be 1-1/4 into the
 ground when installed



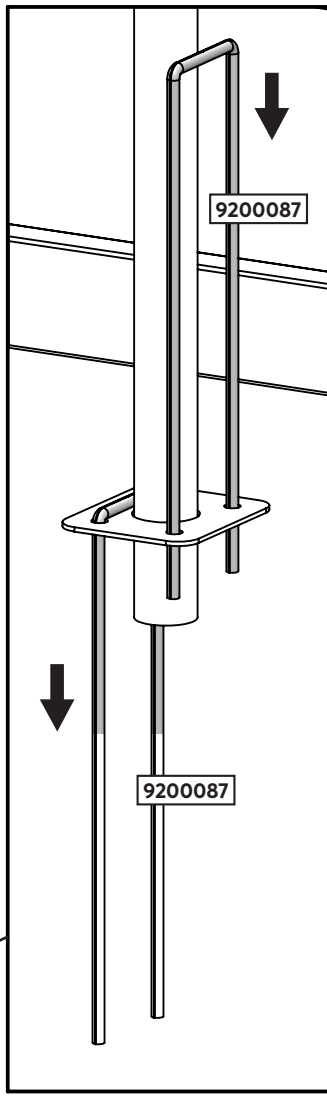
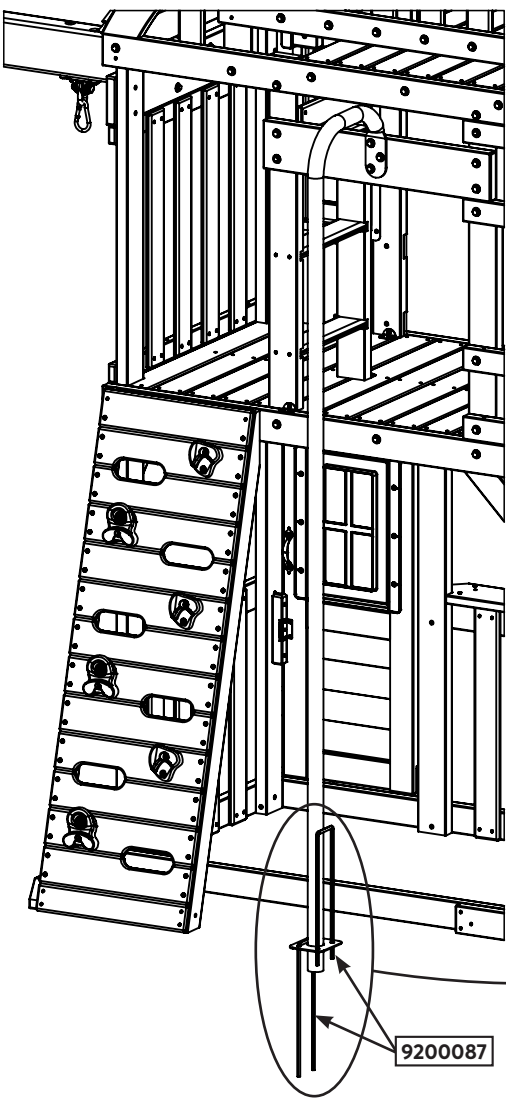
Hardware
 3 x 7.9 x 50.8 mm (5/16 x 2 in) (LW2, FW2 x 2, LN2)

Other Parts
 1 x **3210105**
 1 x **9200186**



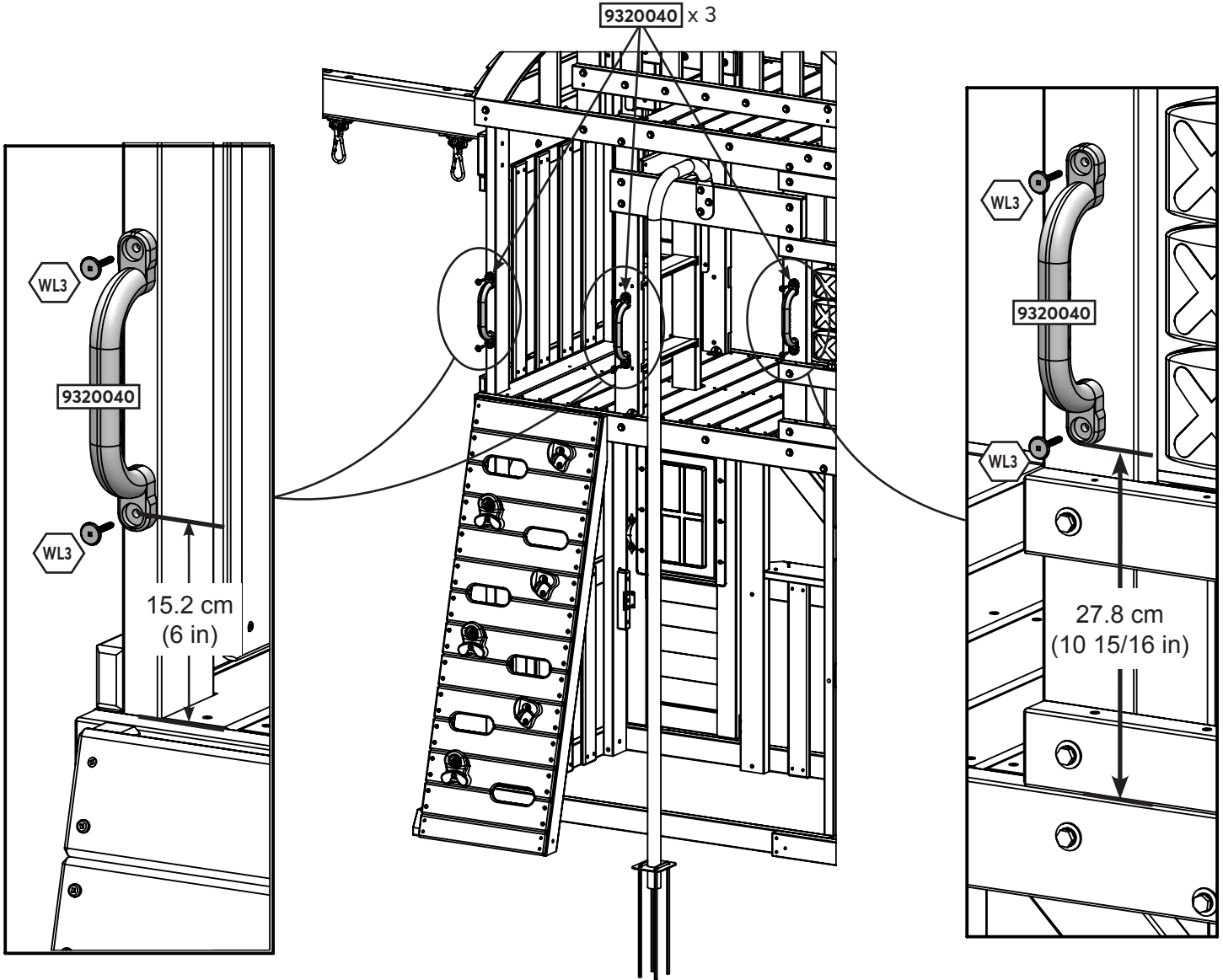
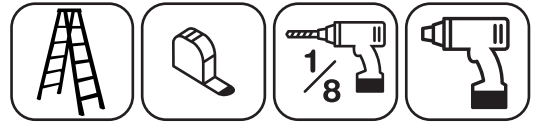
Warning! To prevent tipping and avoid potential injury, stakes must be driven 9-13/16 (250mm) into ground. Digging or driving stakes can be dangerous if you do not check first for underground wiring, cables or gas lines.

Hammer U-Style Ground Stakes into the holes in the plate until they are fully anchored into the ground.



Other Parts
2 x 9200087

Pre-drill each hole using a 1/8 in drill bit for WL3

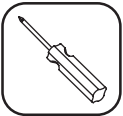


Hardware

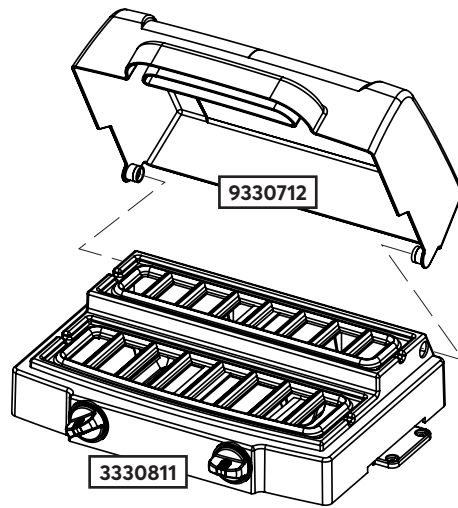
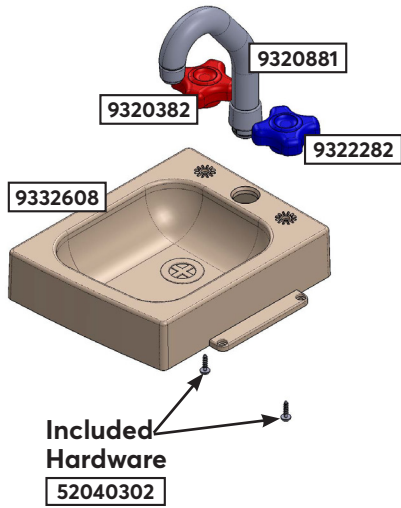
6 x 6.4 x 34.9 mm (1/4 x 1-3/8 in)

Other Parts

3 x

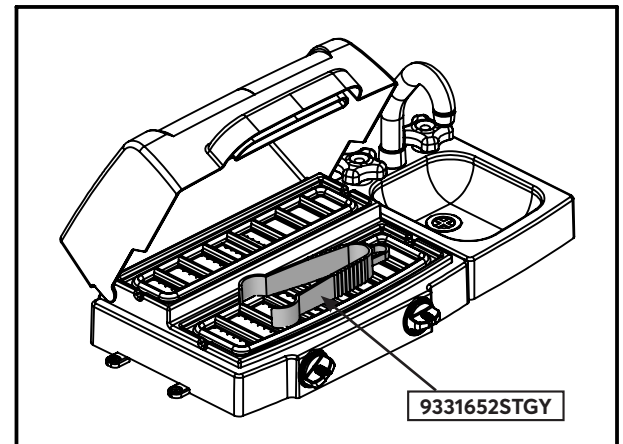
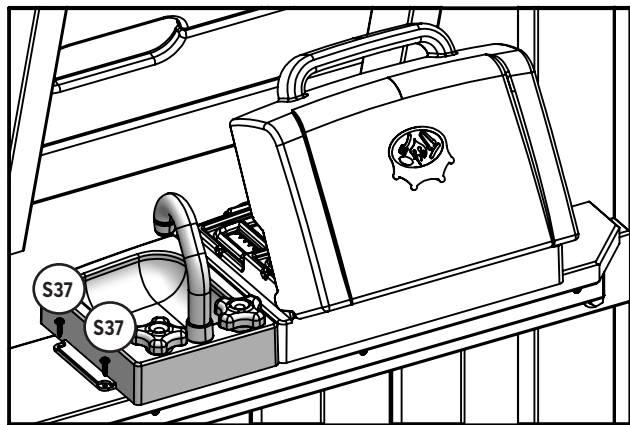
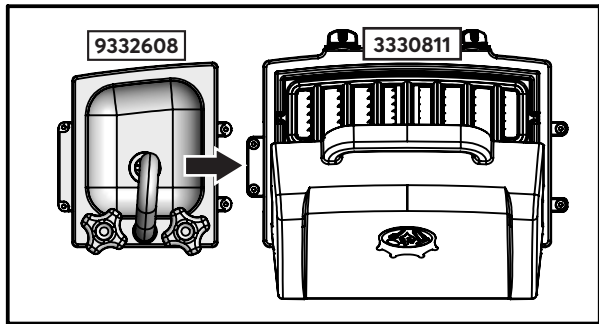
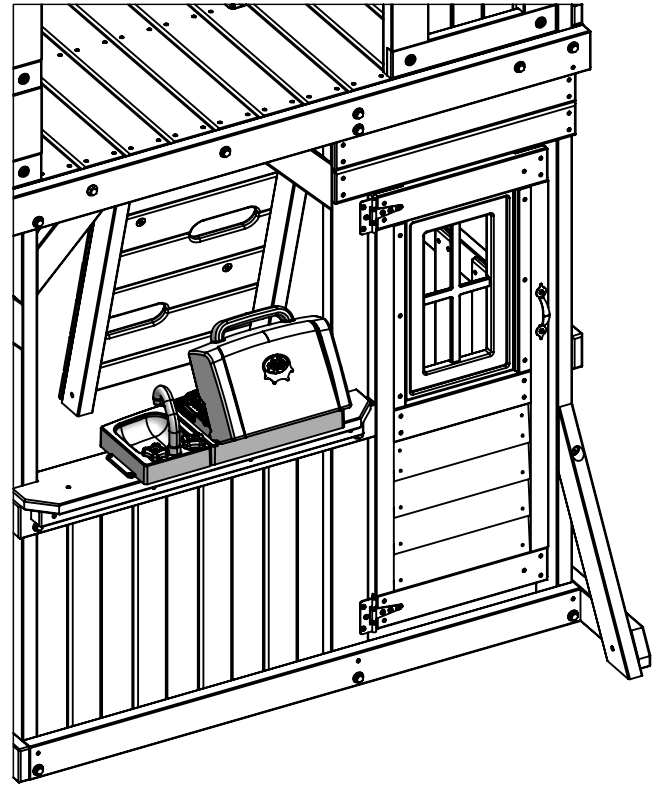
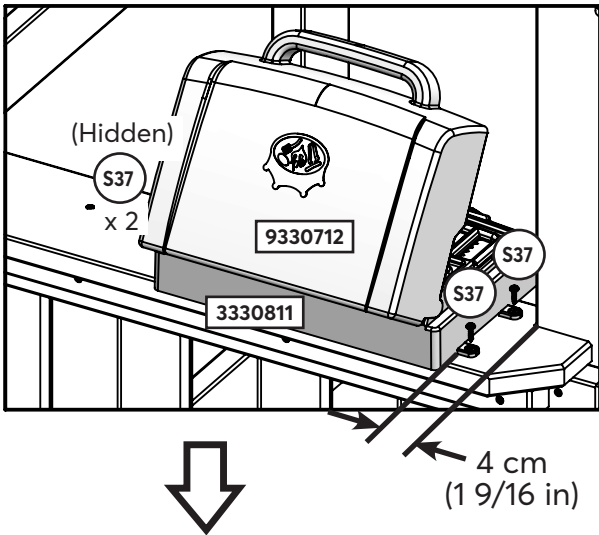


Important: Use a handheld screwdriver and DO NOT overtighten.



Other Parts

- | | | | | | |
|-----|---------|-----|----------|-----|---------|
| 1 x | 9320881 | 2 x | 52040302 | 1 x | 9330712 |
| 1 x | 9332608 | 1 x | 9320382 | | |
| 1 x | 9322282 | 1 x | 3330811 | | |

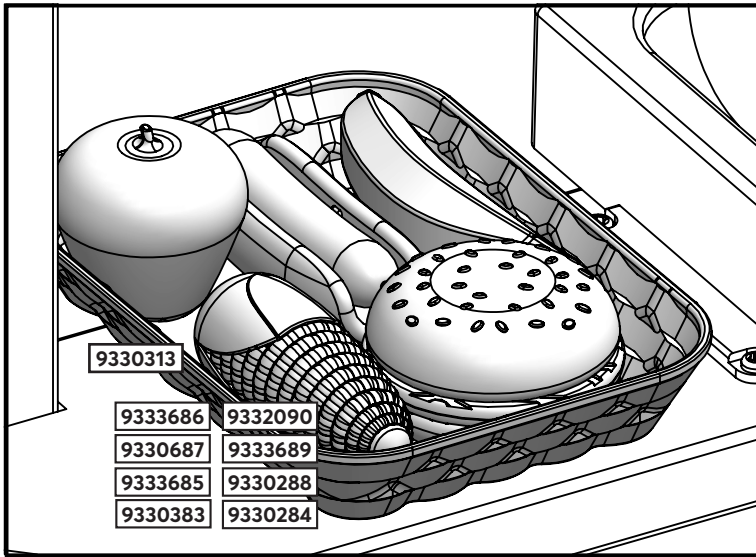


Hardware

6 x (S37) #7 x 15.9 mm (#7 x 5/8 in)

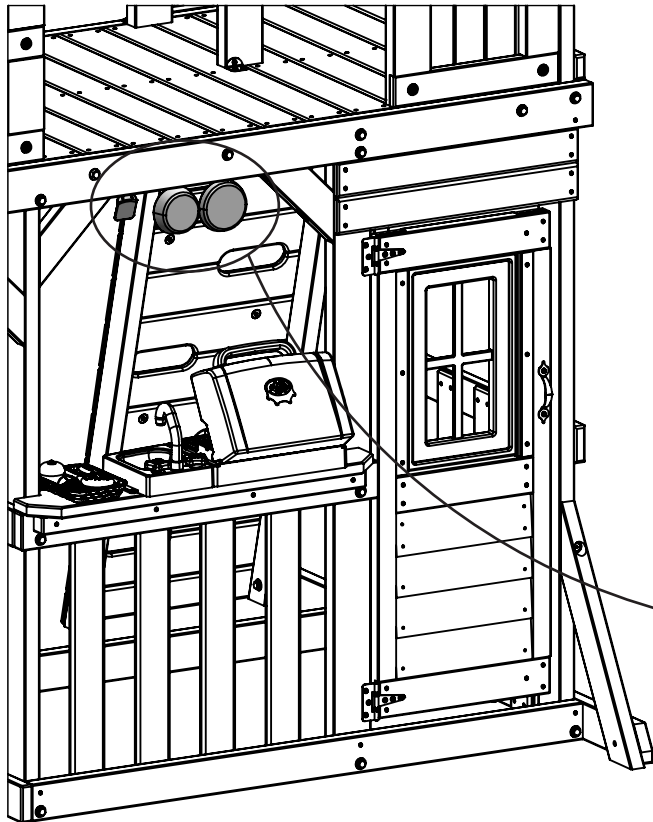
Other Parts

1 x 9331652STGY

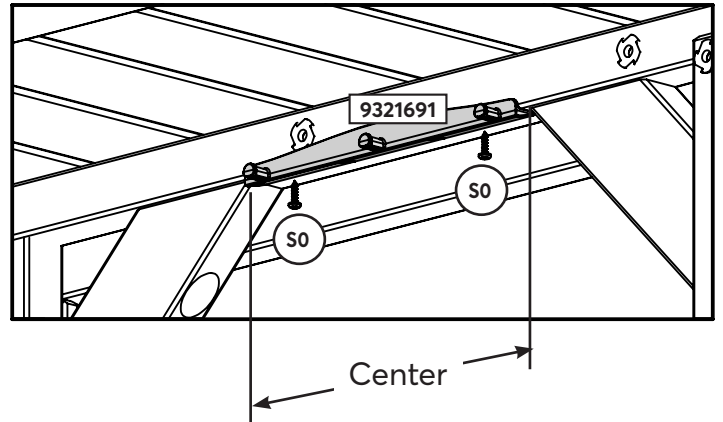


Other Parts

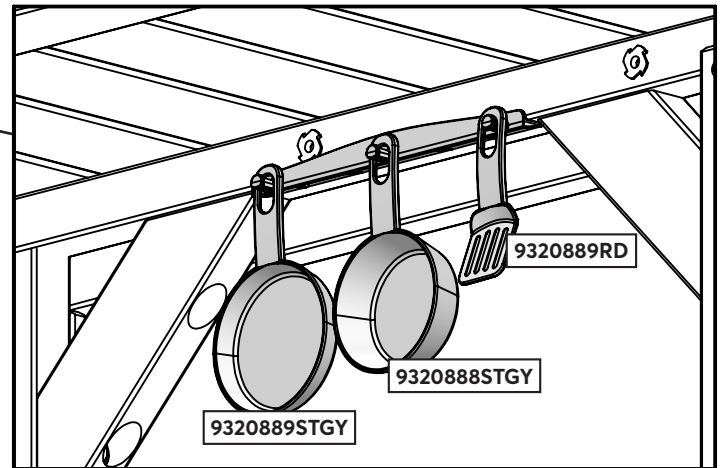
- | | | | | | | | | | |
|-----|----------------|-----|----------------|-----|----------------|-----|----------------|-----|----------------|
| 1 x | 9333686 | 1 x | 9333685 | 1 x | 9332090 | 1 x | 9330288 | 1 x | 9330313 |
| 1 x | 9330687 | 1 x | 9330383 | 1 x | 9333689 | 1 x | 9330284 | | |



Inside and Underneath View



Inside and Underneath View



Hardware

2 x (S0) #8 x 22.2 mm (#8 x 7/8 in)

Other Parts

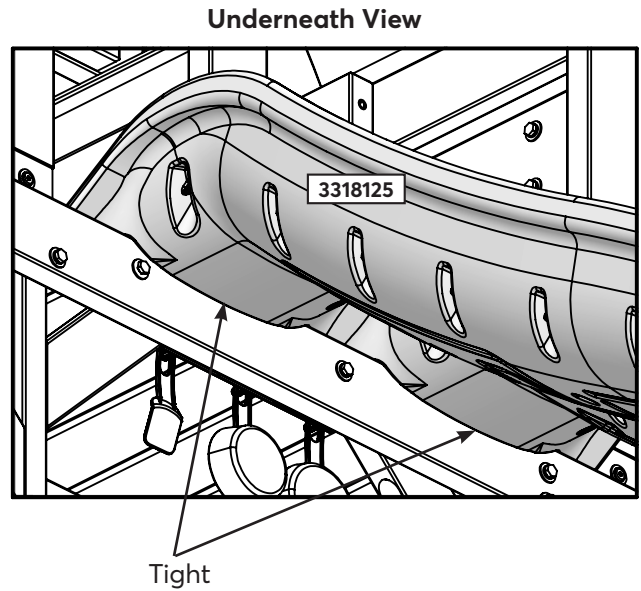
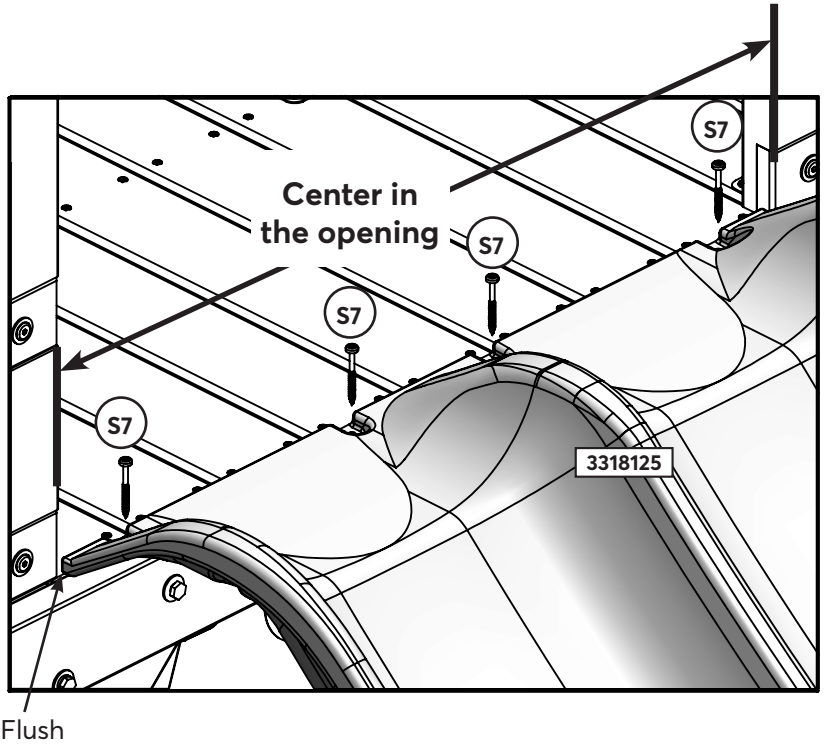
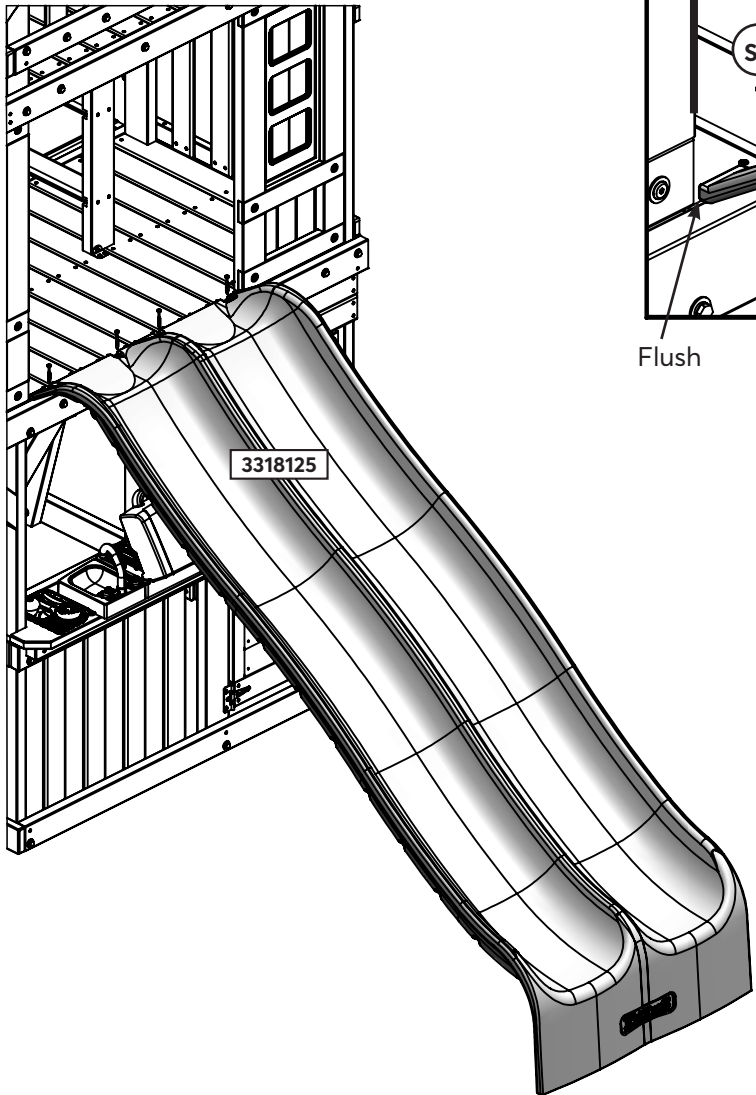
1 x 9321691	1 x 9320888STGY
1 x 9320889STGY	1 x 9320889RD

124

Note: Pre-drill all holes using a 1/8 in drill bit before installing the pan screws.



Place slide centered in the opening.

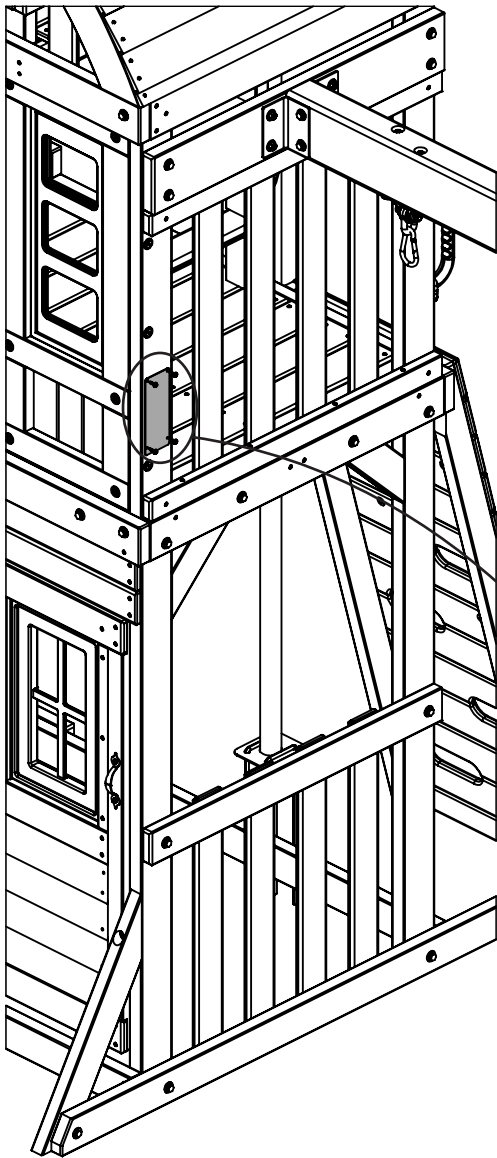


Hardware

4 x #12 x 50.8 mm (#12 x 2 in)

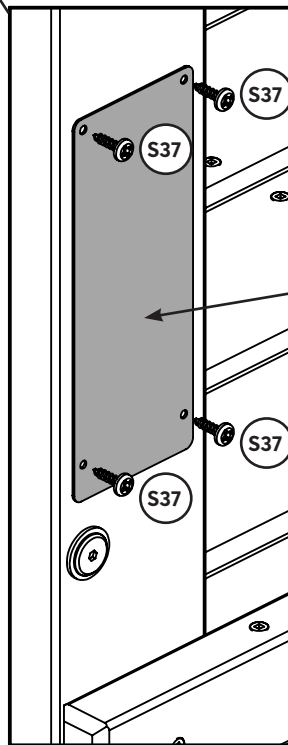
Other Parts

1 x 3318125



ATTACH THIS WARNING & I.D. PLAQUE TO THIS LOCATION ON YOUR PLAY EQUIPMENT!

This provides warnings concerning safety and important contact information. A Tracking Number is provided to allow you to get critical information or order replacement parts for this specific model.



Hardware

4 x **S37** #7 x 15.9 mm (#7 x 5/8 in)

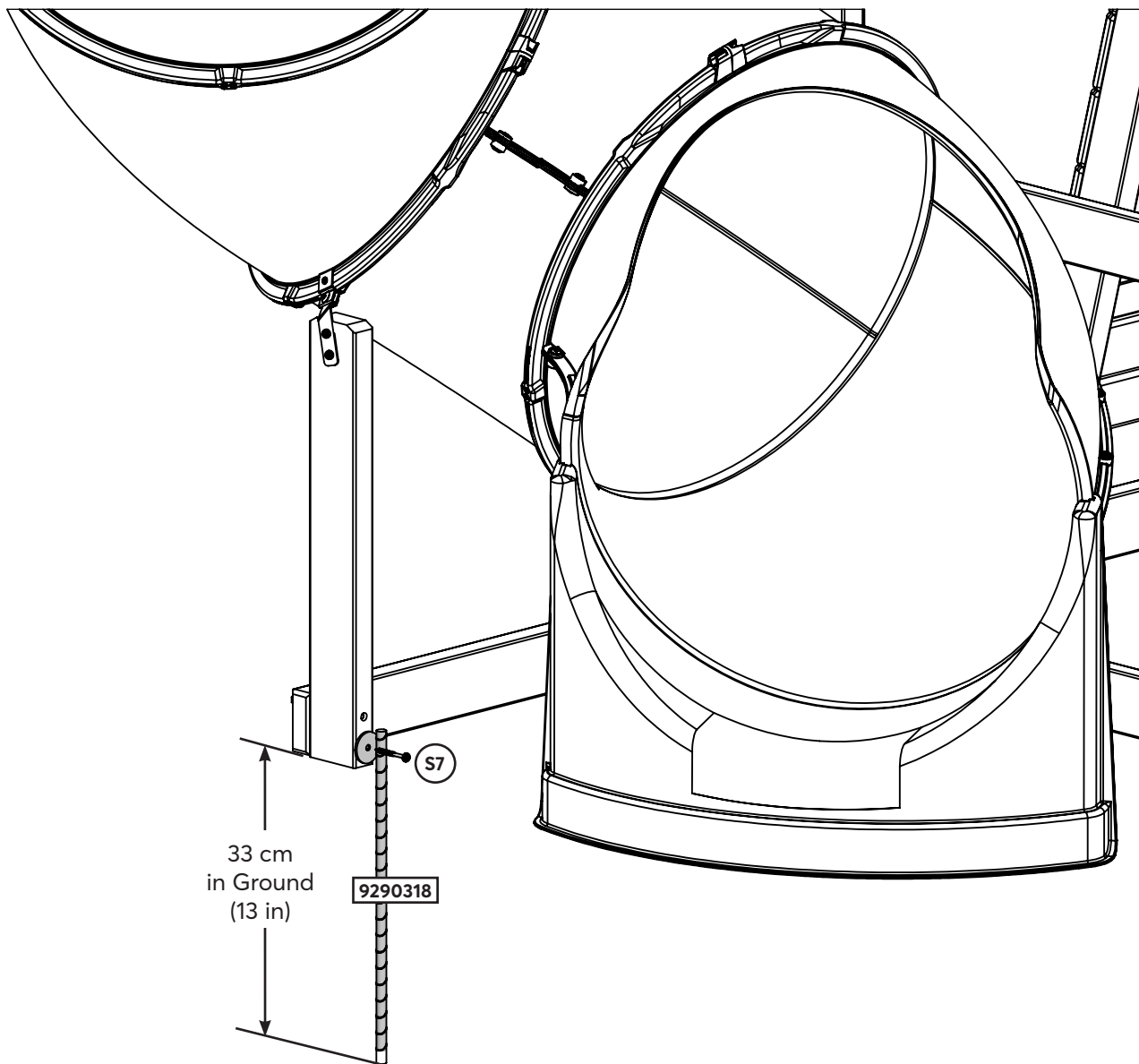
Other Parts

1 x **9320374**

126



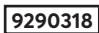
Warning! To prevent tipping and avoid potential injury, stakes must be driven 33 cm (13 in) into ground. Digging or driving stakes can be dangerous if you do not check first for underground wiring, cables or gas lines.

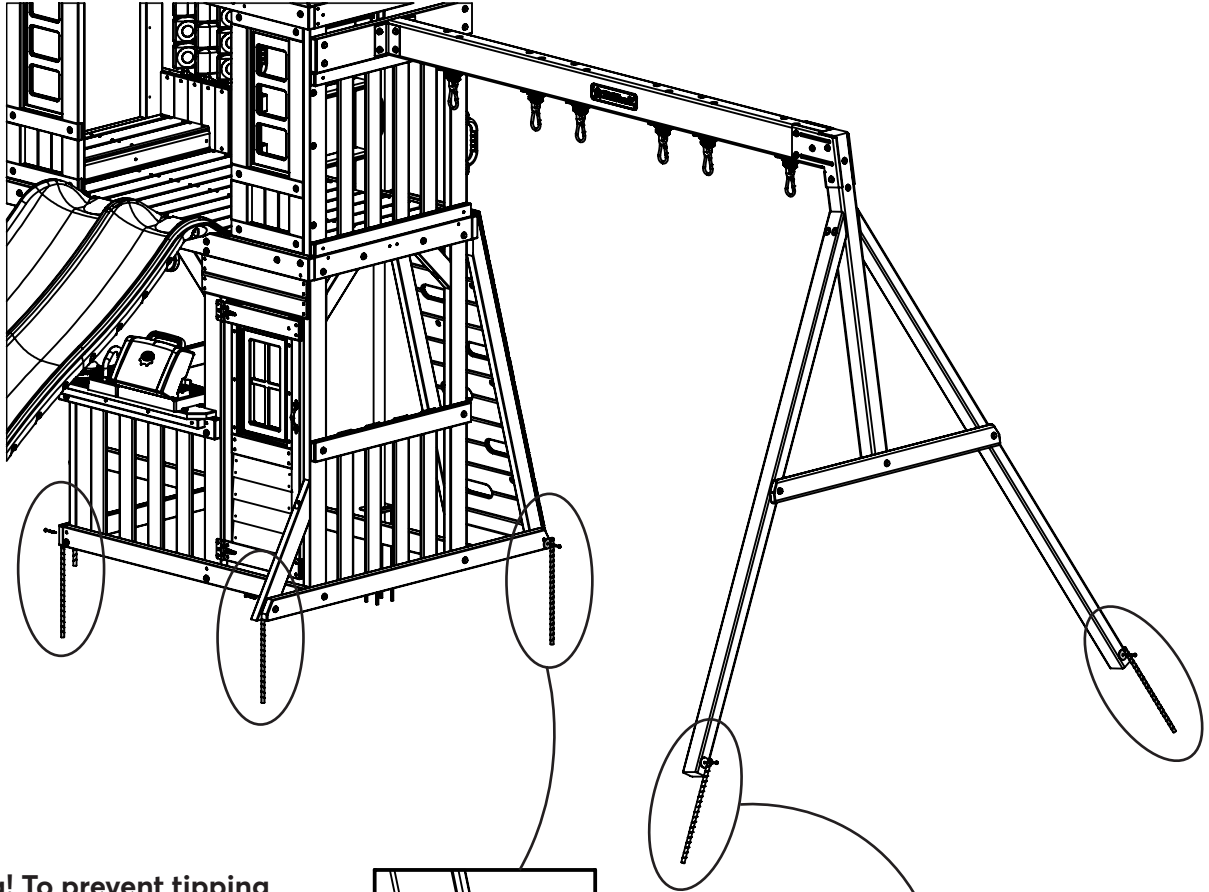


Hardware

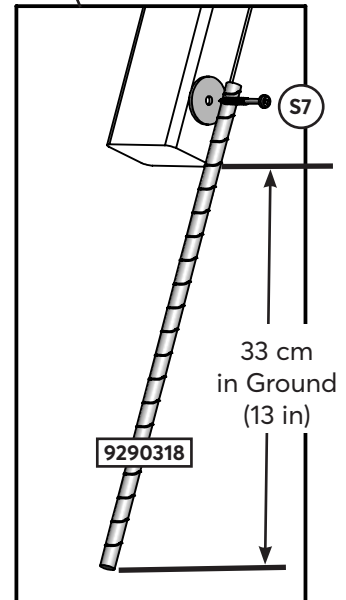
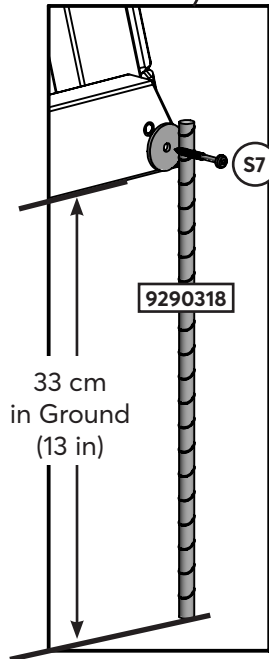
1 x  #12 x 50.8 mm (#12 x 2 in)

Other Parts

1 x 



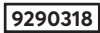
Warning! To prevent tipping and avoid potential injury, stakes must be driven 33 cm (13 in) into ground. Digging or driving stakes can be dangerous if you do not check first for underground wiring, cables or gas lines.

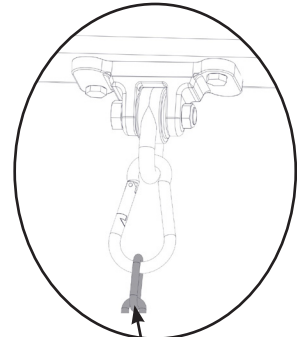
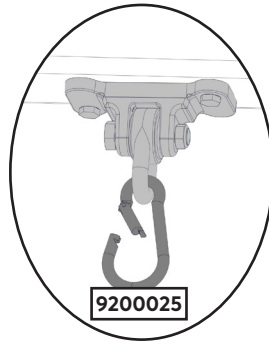


Hardware

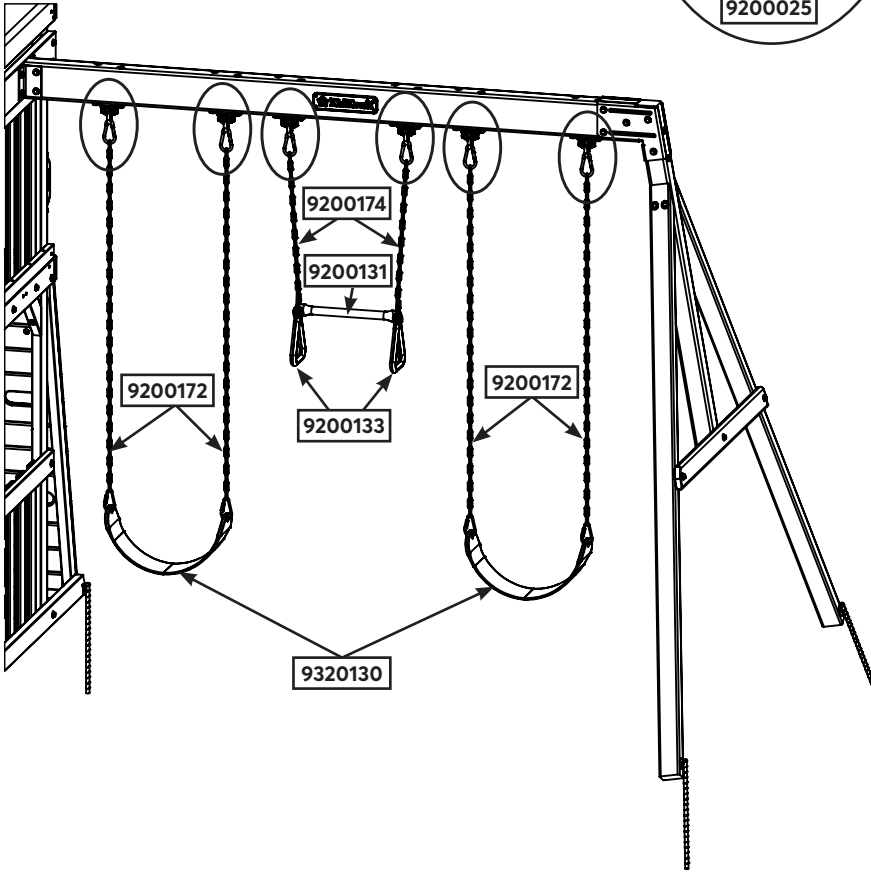
5 x  #12 x 50.8 mm (#12 x 2 in)

Other Parts

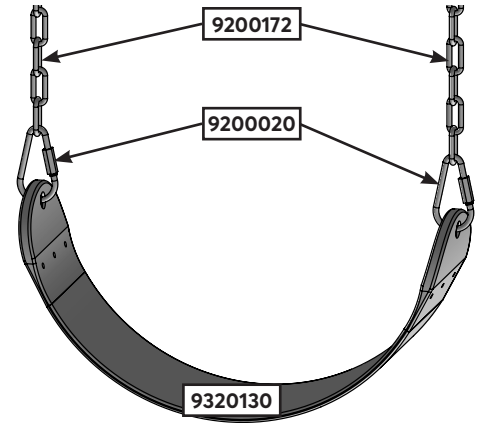
5 x 



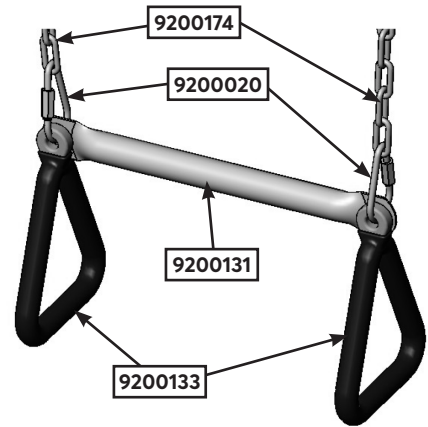
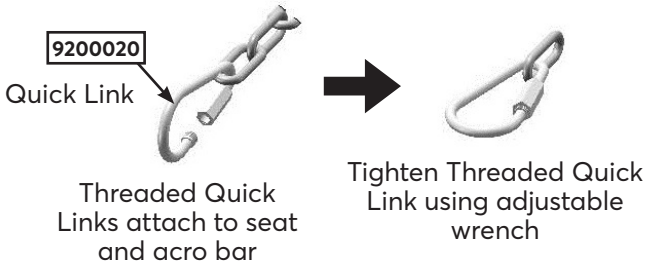
9200172
9200174



Tighten Threaded Quick Link using adjustable wrench



Caution: Threaded Quick Links must be installed with the gate completely down covering the threads and tighten as instructed.



Other Parts

- | | |
|-------------|-------------|
| 4 x 9200172 | 2 x 9320130 |
| 2 x 9200174 | 2 x 9200133 |
| 1 x 9200131 | 6 x 9200020 |

NOTES

3 EASY WAYS TO REGISTER YOUR PRODUCT 24/7

- 1) Scan this QR Code with your smartphone to complete your product registration directly from your phone:
- 2) Complete the registration online at: <https://www.kidkraft.com/pages/warranty>
- 3) Mail this completed form to: Backyard Kids, LLC DBA KidKraft
317 S. Main St. Ann Arbor, MI 48104
Make sure to include a copy of your proof of purchase



KIDKRAFT Consumer Registration Card

First Name _____ Initial _____ Last Name _____

Street _____ Apt. No. _____

City _____ State/Province _____ ZIP/Postal Code _____

Country _____ Telephone Number _____

E-Mail Address _____

Model Number _____ Model Name _____

Model Number & Name example
F2XXXX KidKraft Item Description

Purchased From _____ Date Purchase _____

MM / DD / YY

Serial Number (on ID Plaque) _____



ID Plaque example

Box #: _____ 1 of _____	Box #: _____ 4 of _____	Box # (Ex: BXXXX 1of 6)
Box #: _____ 2 of _____	Box #: _____ 5 of _____	
Box #: _____ 3 of _____	Box #: _____ 6 of _____	



For common questions or for information on ordering replacement parts:
<https://www.kidkraft.com/pages/warranty>

MADE IN CHINA