

Warranty Information

Proof of purchase will be required.

The guarantee does not cover faults or damage caused by incorrect installation and/or maintenance, ordinary wear and tear, water composition, etc.

*Please see www.deva-uk for full terms and conditions of warranty

Cleaning

Your product has a high-quality finish and should be treated with care to preserve the visible surfaces. Never use abrasives or abrasive cleaning agents to clean this product clean regularly with contamination free warm water and a damp soft cloth. Do not use products containing chlorine bleach or hydrochloric acid as these can damage the product.

We have a policy of continuous improvement and reserve the right to change specifications without notice.

METHVEN UK LIMITED

METHVEN EXPERIENCE CENTRE
3/3A STONE CROSS COURT

YEW TREE WAY
GOLBORNE
WARRINGTON
WA3 3JD
UNITED KINGDOM

INST-NEL104
02.03.2020

TEL: 0800 195 1602
FAX: 0844 406 8690
EMAIL: sales@uk.methven.com
www.deva-uk.com
www.methven.com

Nelson Sink Mixer

NEL104

Installation Guide

Technical Specification

Working Pressure:

Min: 0.3 Bar

Max: 5.0 Bar

Operating Temperature:

Hot: 65°C

Cold: 5°C

Inlet Connections:

½" BSP

Features:

- Swivel spout
- Ceramic Cartridge
- Tilt and Turn Temperature and Flow Control



Contents

Congratulations on your purchase of your new Deva by Methven Sink Mixer. Our fitting instructions have been created with you in mind to provide you with all the information you require and, if you need any further help, please don't hesitate to contact our customer care team on 0800 195 1602.

| | |
|----------------------------|---|
| General Safety Information | 3 |
| Line Drawing | 3 |
| Product Breakdown | 4 |
| Product Breakdown | 4 |
| Installation Requirements | 6 |
| Installation | 6 |
| Troubleshooting | 7 |
| Warranty Information | 8 |
| Cleaning | 8 |

Troubleshooting

| Symptom | Cause(s) | Resolution |
|-------------------------------|---|--|
| Mixer not turning on | Mains Water supply turned off | Turn on the mains water supply |
| | Closed isolation valve | Open isolation valve |
| No hot water | Cold override | Check if the pressure is balanced. Fit pressure equalising valve. |
| Low Flow Rate/No Flow | Water supply failure | Water pressure too low, investigate water supply, check plumbing and heating system for any faults |
| | Partially closed isolation valve | Open isolation valve |
| | Air lock or partial blockage in the supply pipework or hoses | Flush through pipework to ensure removal of debris and any airlocks. |
| | Water being drawn off elsewhere causing pressure changes or instantaneous boiler temperature changes. Ensure minimum pressure is being met. | Try not to use other water outlets when using the mixer |
| Water dripping from the mixer | This is normal for a short time after using the mixer | This is due to residual water tension, the build up of water in the mixer spout. |
| | If water continues to drip, possible issue with the flow control cartridge. | Please contact our customer care team. |
| Movement of fitted mixer | Fixing kit loose | Ensure fixing kit nut is sufficiently tightened. |
| | Extra support may be required depending on the surface the tap is fitted to. | Please contact customer care to purchase a under sink mounting triangle |

Installation Requirements

Before commencing installation of the new product, ensure that the system has been flushed to remove any debris, which could cause damage to the valves and invalidate the warranty.

Installation

- 1, Screw the threaded fixing bolt into the bottom of the mixer body
- 2, Screw both Flexi Tails into the tap body, ensuring that the O-Ring on the tail is positioned inside the tap body. Hand tighten, do not use PTFE tape or similar to create the seal.

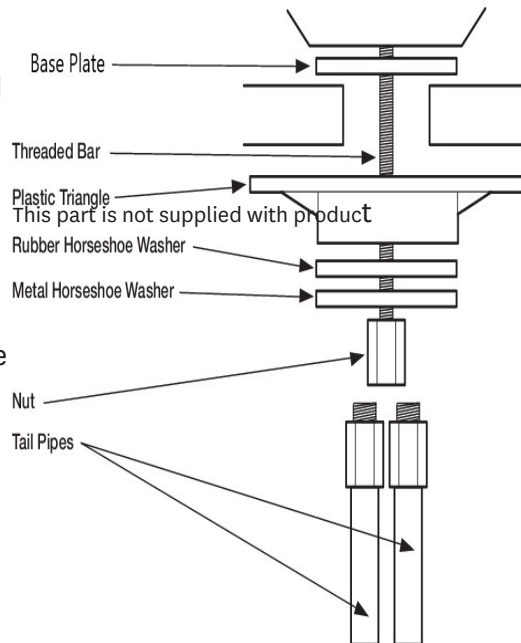
- 3, Offer the tap up to the hole in the sink

- 4, On the underside of the sink fit the rubber and metal horseshoe shaped washers onto the threaded fixing bolt and using the nut provided tighten until the tap is secure in the mounting hole.

Note: If required a under sink mounting triangle can be purchased, this should be used on thin work surfaces to help distribute the weight of the tap and provide a thicker mounting surface for the fixing kit to clamp to.

- 5, Connect the male end of the tail to the corresponding hot and cold inlets.

- 6, Reinstate water supply and test for leaks.



Please keep these instructions for future reference and request of replacement parts

General Safety Information

Please read all of the instructions before installation.

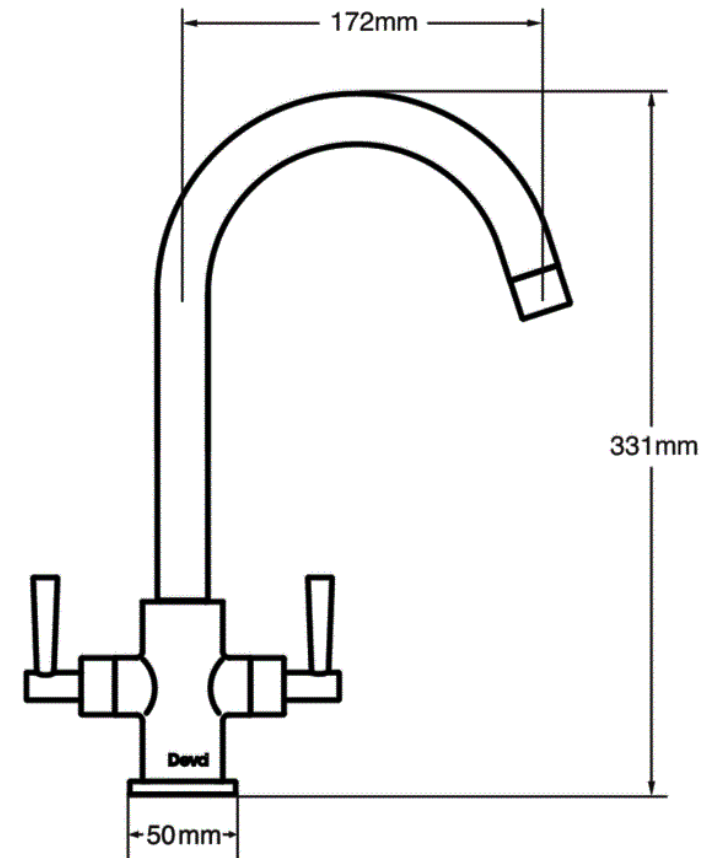
Methven recommends this product is installed by a competent person in compliance with all relevant regional regulations.

Remove all packaging and check the components for damage before starting installation.

This product **must** not be modified in any way as this will invalidate the guarantee. It is the responsibility of the installer to ensure a waterproof seal is achieved, after installation all connections must be checked for leaks.

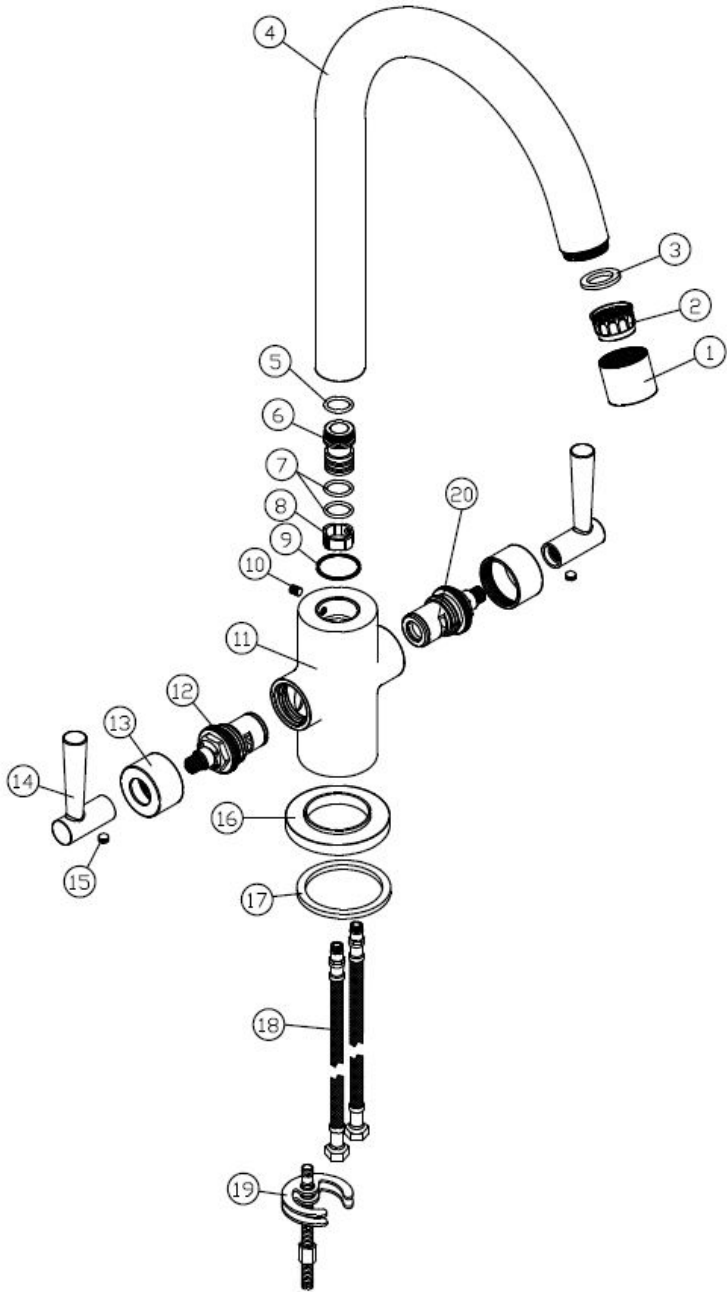
All outlets used primarily for personal hygiene shall deliver water at a safe temperature as per regional regulations.

Line Drawing



Product Breakdown

Check All components are present prior to starting installation.



| Item No | Item Name |
|---------|-----------------|
| 1 | Nozzle |
| 2 | Neoperl Aerator |
| 3 | Washer |
| 4 | Spout End |
| 5 | O-Ring |
| 6 | Connector |
| 7 | O-Ring |
| 8 | Circlip |
| 9 | Washer |
| 10 | Screw |
| 11 | Mixer Body |
| 12 | Cartridge Cold |
| 13 | Cover |
| 14 | Handle |
| 15 | Grub Screw |
| 16 | Base Plate |
| 17 | Washer |
| 18 | Flexi tails |
| 19 | Fixing Kit |
| 20 | Cartridge Hot |