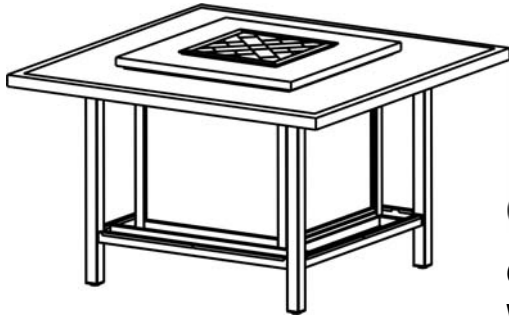


9 PIECE WOVEN HIGH DINING FIRE SET

ITM. / ART. 1900600

IMPORTANT

**RETAIN FOR FUTURE REFERENCE: READ CAREFULLY
BEFORE ASSEMBLY**



**CSA Model
WT17ZL
ARE01800**

WARNING: It is UNSAFE to use this product for cooking!

WARNING: Before placing the burner cover on, make sure the firepit has been shut off and the burner has completely cooled down.

WARNING: Chemicals known to the State of California to cause cancer and birth defects or other reproductive harm are created by the combustion of propane.

Installer: Leave these instructions with consumer.

Consumer: Keep these instructions for future reference.

⚠ DANGER

If you smell gas:

1. Shut off gas to the appliance.
2. Extinguish any open flame.
3. If odor continues, keep away from the appliance and immediately call your gas supplier or fire department.

⚠ WARNING:

Improper installation, adjustment alteration, service or maintenance can cause injury or property damage. Read the installation, operating and maintenance instructions thoroughly before installing or servicing this equipment.

⚠ WARNING

Do not store or use gasoline or other flammable vapors and liquids in the vicinity of this or any other appliance. An LP-cylinder not connected for use shall not be stored in the vicinity of this or any other appliance.

⚠ WARNING: For Outdoor Use Only

FOR USE WITH 9KG (20LB) PROPANE CYLINDER WITH TYPE 1 CONNECTION OR FOR USE WITH NATURAL GAS AFTER CONVERSION KIT IS INSTALLED (MUST BE PROFESSIONALLY INSTALLED).

⚠ DANGER

CARBON MONOXIDE HAZARD



This appliance can produce carbon monoxide which has no odor.

Using it in an enclosed space can kill you.

Never use this appliance in an enclosed space such as a camper, tent, car or home.

WARNING:

USE FACTORY APPROVED REPLACEMENT PARTS AND ACCESSORIES ONLY. USE OF UNAPPROVED PARTS OR ACCESSORIES CAN VOID THE WARRANTY ON THIS PRODUCT AND RESULT IN A HAZARDOUS CONDITION. PLEASE CONTACT US FOR INFORMATION REGARDING REPLACEMENT HOSES, THERMOCOUPLES, ELECTRODES, IGNITION MODULES & FIRE ICE, ETC.



Questions, Problems, Missing Parts? Before returning to your retailer, call our customer service department in the US and Canada at 1-888-383-1932, 9:00am - 5:00pm Monday – Friday, EST. English and French, or you may email customerservice@agio-usa.com.

TABLE OF CONTENTS

Important Safety Information	3
Important Information about Propane.....	4
Specification	4
Parts Identification List	5-6
Installation	7-9
Natural Gas Conversion	10-11
Batteries	11
Lighting Instructions	12
Maintenance.....	12
Burner Cover Assembly	13
Troubleshooting Guide	13

For additional online video support on troubleshooting and set up,
please feel free to visit our website at:
www.agio-usa.com/support/firepits.

IMPORTANT SAFETY INFORMATION

The installation must conform with local codes or, in the absence of local codes, with the National Fuel Gas Code, ANSI Z223.1/NFPA 54; International Fuel Gas Code. ; Natural Gas and Propane Installation Code, CSA B149.1; or Propane Storage and Handling Code, B149.2, as applicable.

The appliance and appliance main gas valve must be disconnected from the gas supply piping system during any pressure testing of that system at test pressures in excess of 1/2 psi (3.5kPa).

The appliance must be isolated from the gas supply piping system by closing its equipment shutoff valve during any pressure testing of the gas supply system at test pressure equal to or less than 1/2 psi (3.5kPa).

The appliance area must be kept clear and free from combustible materials, gasoline and other flammable vapors and liquids.

Do not use this appliance if any part has been under water. Immediately call a qualified service technician to inspect the appliance and to replace any part of the control system and any gas control which has been under water.

Children and adults should be alerted to the hazards of high surface temperatures and kept at a safe distance to avoid burns or clothing ignition.

Young children should be carefully supervised when they are anywhere near the appliance.

Clothing or other flammable material should not be hung from the appliance, or placed on or near the appliance.

Any screen or guard removed for servicing an appliance must be replaced prior to operating the appliance.

Installation and repair should be done by a qualified service person. The appliance should be inspected before use and at least annually by a professional service person. More frequent cleaning may be required as necessary. It is imperative that the control compartments, burners and circulating air passageways of the appliance be kept clean.

Do NOT burn solid fuels in this gas fireplace.

Do NOT ignite the burner before pouring all of the burner media (lava rock or fire ice) into the burner pan. The media must be evenly distributed over the burner.

During initial firing of firepit, please stay away from the firepit for 20 minutes as fire media (lava rock or fire ice) may pop and hit someone on the face or eyes

Do NOT ignite or use the firepit if the burner media (lava rock or fire ice) are wet. Ensure the burner media are completely dry before igniting as intense heat could cause the media to crack and pop.

It is UNSAFE to use this product for cooking!

CAUTION: The propane gas pressure regulator provided with this appliance must be used. This regulator is set for an outlet pressure of 11 inches water column.

This outdoor gas appliance is not intended to be installed in or on recreational vehicles and/or boats.

Before each use of this gas appliance, open the LP (Liquid Propane) Tank Drawer and inspect the LP Hose. If there is evidence of excessive abrasion or wear, or the hose is cut, it must be replaced prior to the gas appliance being put into operation. Use only the replacement hose assembly specified in this manual. Inspect the burner before each use of the appliance. The burner must be replaced prior to the appliance being put into operation if it is evident that the burner is damaged. Use only the burner listed in these instructions. Keep the fuel supply hose away from any heated surfaces.

IMPORTANT SAFETY INFORMATION ABOUT PROPANE (LP) GAS

A LP-gas cylinder for use with this appliance must have a capacity of 9 kgs / 20 lbs . and must be equipped with a Type 1 connector and an OPD (overfill protection device). Figure 1

The LP-gas supply cylinder to be used must be constructed and marked in accordance with the specification for LP-gas cylinders of the U.S. Department of Transportation (DOT) or the National Standard of Canada, *CAN/CSA-B339, Cylinder, Sphere and Tubes for the Transportation of Dangerous Goods.*

- The cylinder supply system must be arranged for vapor withdrawal.
- The cylinder used must include a collar to protect the cylinder valve.
- This appliance shall be used only outdoors in a well-ventilated space and shall not be used in a building, garage or any other enclosed space.
- When this appliance is not in use, the gas must be turned off at the supply cylinder.
- Storage of this appliance indoors is permissible only if the cylinder is disconnected and removed from the appliance.
- Cylinders must be stored outdoors in a well-ventilated area out of the reach of children. Disconnected cylinders must have threaded valve plugs tightly installed and must not be stored in a building, garage or any other enclosed areas.

CSA (Canadian Standards Association) certified to ANSI Z21.97-2014 / CSA 2.41-2014 “Outdoor Decorative Gas Appliances”

The gas hose is routed through a “U” bolt to prevent the hose from coming in contact with the burner. DO NOT remove the hose from the “U” bolt. See Figure 2.

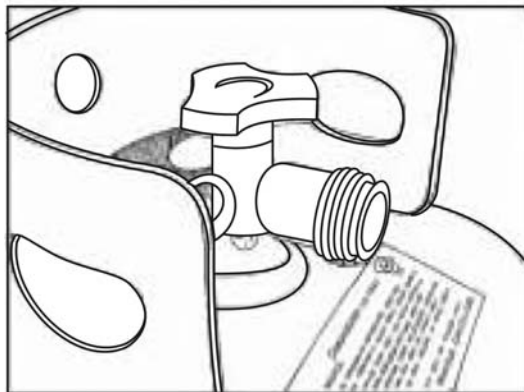


Figure 1

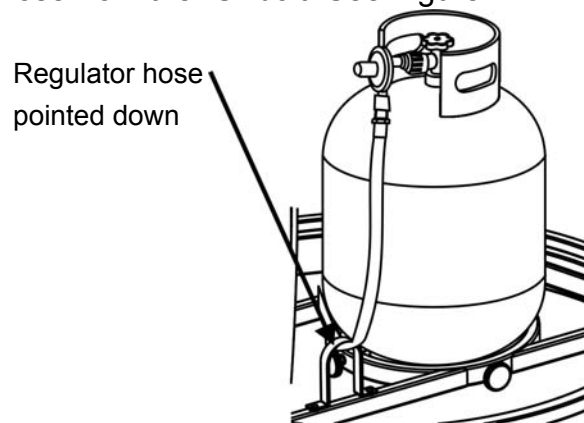





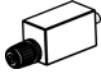





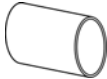





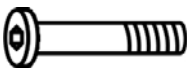






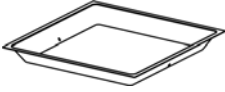



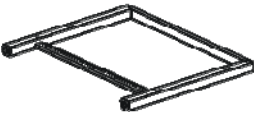

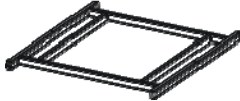
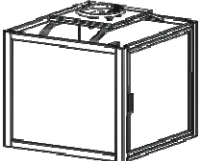
Figure 2

SPECIFICATIONS

INPUT	60,000 Btu/hr	
Clearances to combustable surfaces	Sides 60.96 cm / 24 inches	Top:182.8cm/72 inches
Propane Regulator Pressure	2.74 kpa / 11 in water column	
Natural Gas Minimum Inlet Pressure	1.74 kpa / 7 in water column	

PARTS IDENTIFICATION LIST

	PART	DESCRIPTION	PART#	QTY
A		CONTROL KNOB	FP2329	1
B		GAS VALVE	FP2330	1
C		THERMOCOUPLE	FP2331	1
D		FLEX CONNECTOR	FP2332	1
E		ELECTRODE	FP2333	1
F		IGNITION MODULE	FP2334	1
G		LP TANK RETAINING KNOB	FP0585	2
H		PROPANE ORIFICE	FP2103	1
I		LP REGULATOR HOSE	FP1916	1
J		FOOT CAPS	FC0754	4
K		"AA" BATTERY	HW0905	1
L		AIR SHUTTER	FP1922	1
M		FIRE ICE	FP2006	2
N		NATURAL GAS ORIFICE	FP1919	1
O		M4 SCREW	HW0898	2
P		1/4" X20 MM SCREW	HW0036	4
Q		1/4" X40 MM SCREW	HW0086	12
R		1/4" X60 MM SCREW	HW0135	4
S		Ø20 X Ø6.5 X 2.0 MM WASHER	HW0594	4
T		Ø6.5 X 1.0 MM WASHER	HW0594	16

U		HEX BOLT DRIVER	HW0006	1
V		CROSS POINT SCREWDRIVER	HW0900	1
W		BURNER PAN PROTECTIVE RING	FP2301	1
X		FIREPAN/BURNER ASSEMBLY	FP2302	1
Y		BURNER COVER	FP2300	1
Z		FIREPIT TABLE TOP	FP2299	1
AA		FIREPIT TABLE LEG	FP2303	2
BB		TOP CONNECTOR BRACKET	FP2304	1
CC		BOTTOM CONNECTOR BRACKET	FP2305	1
DD		FIREPIT BASE FRAME	FP2306	1

INSTALLATION

1. Carefully unpack all items from the box. Place the base in the final position. There must be a minimum of 60.96 cm / 24 inches of clearance from the side of the table top to any combustible walls.

2. Attach the top connector bracket to the firepit base frame by using four 1/4"x40mm bolts and Ø6.5 X 1.0mm washers as shown in Figure 3. **Hand tighten only.**

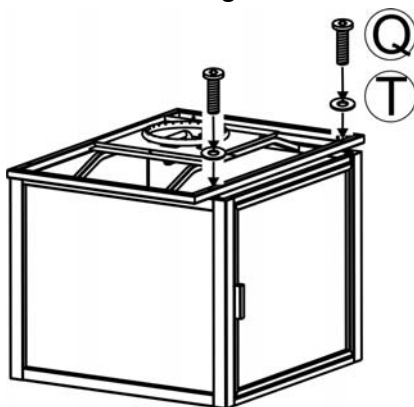


Figure 3

3. Attach the bottom connector bracket to the firepit base frame by using four 1/4"x60mm bolts and Ø6.5 X 1.0mm washers as shown in Figure 4. **Hand tighten only.**

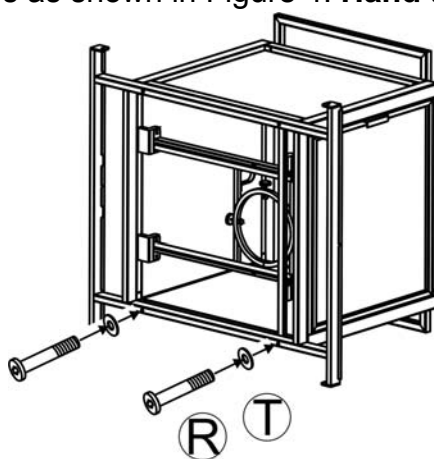


Figure 4

4. Attach the top and bottom connector brackets to a table leg by using a 1/4"x40mm bolt and 1/4"x20mm bolt as shown in Figure 5. Add a Ø6.5 X 1.0mm washer to each bolt. **Hand tighten only.** Repeat for the opposite side.

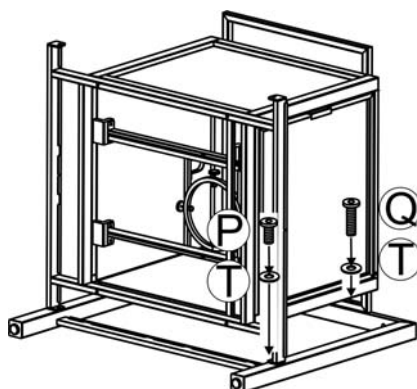


Figure 5

5. After making any necessary adjustments to the alignment of the connector brackets, table legs, and the firepit base frame, use the hex bolt driver to tighten all bolts . Repeat until all bolts are tight. Do not over tighten. Over tightening may strip bolts.

6. Place the tabletop onto the assembled firepit base. Secure the tabletop to the firepit base by using four 1/4"x40mm bolts and Ø20xØ6.5x1.0mm washers as shown in Figure 6. **Hand tighten only.**

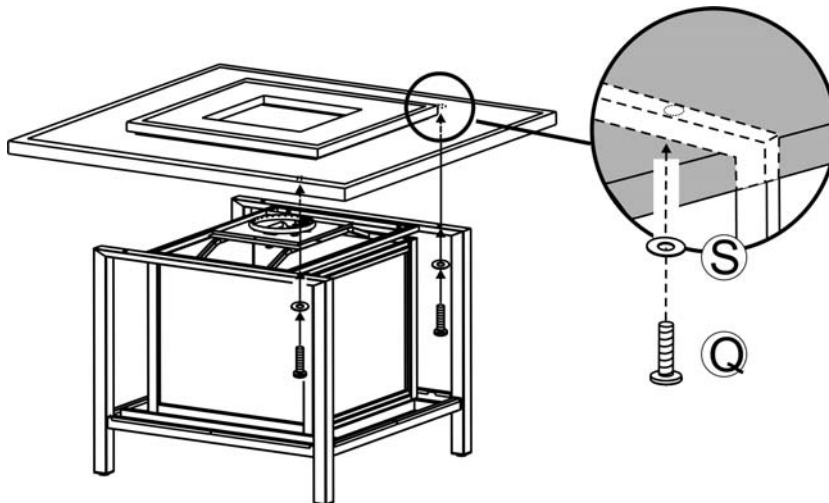


Figure 6

7. Place the burner pan protective ring into the firepan/burner assembly as shown in Figure 3. Align the holes in the burner pan protective ring with the pre-drilled holes on the firepan/burner assembly. Secure the burner pan protective ring to the firepan/burner assembly by using the two M4 screws as shown in Figure 7.

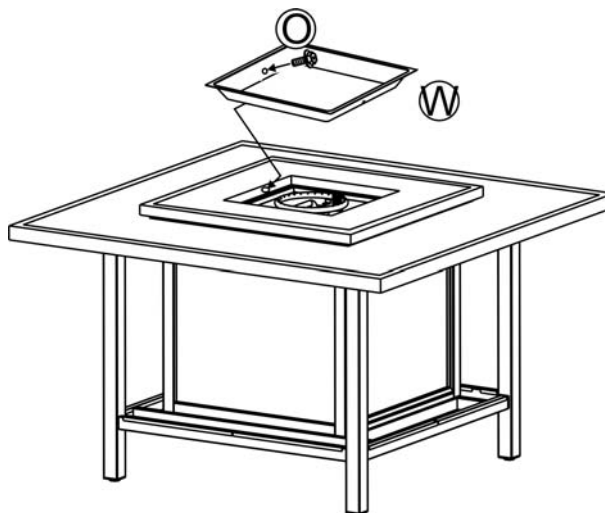


Figure 7

8. Pour the fire ice into the burner pan completely covering the burner. The weight of the fire ice is (8kg plus and minus 10%). Remove any fire ice on top of the ignition well. See Figure 8.



Figure 8

9. Slide the tank drawer out and place the LP tank in the drawer. Connect the regulator as shown in Figure 9. Turn the black handle clockwise to tighten. Turn the handle counterclockwise to remove. The hose must point down. Check that the valve is turned all the way clockwise to the "OFF" position. Open the tank valve. Apply a solution of soapy water to the tank-regulator connection and to the valve-hose connection to check for leaks. If soap bubbles continue to form, the connection has a leak. If a leak is found, close the tank valve and tighten all connections.

NEVER USE A FLAME TO CHECK FOR LEAKS.

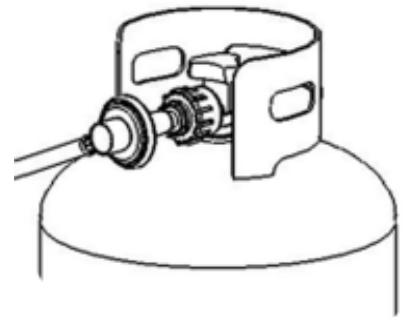
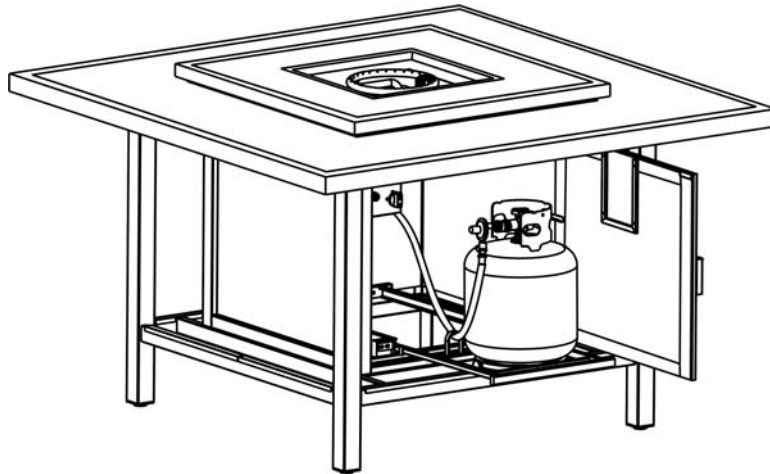


Figure 9

10. Tighten the threaded knobs (G) found on the tank tray (Figure 10) so that the LP tank cannot move from side to side. Do not remove the plastic cap from the end of the threaded section.

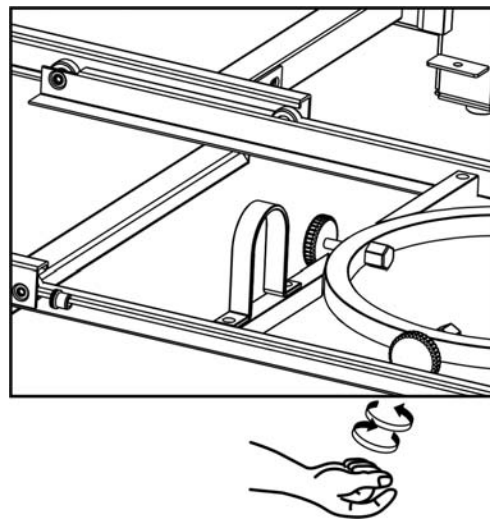


Figure 10

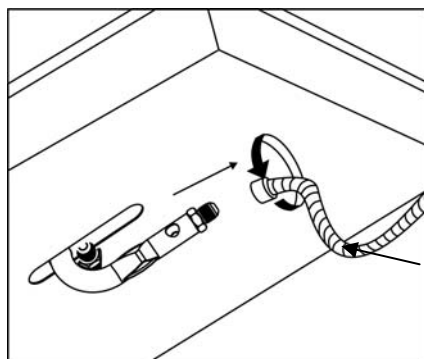


NATURAL GAS CONVERSION



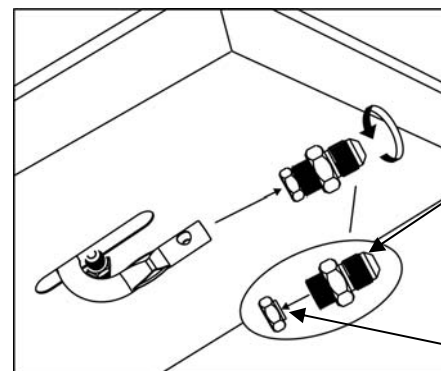
Natural gas conversion must be performed only by your natural gas provider or service company.

1. **SHUT OFF THE GAS SUPPLY TO THE UNIT AND ANY NEARBY ELECTRICAL SOURCE OR APPLIANCES**
2. Below the burner, carefully disconnect flex connector attached to the orifice holder (see step1).
3. Carefully unscrew the orifice holder from the burner pipe (see step2).
4. Remove the propane orifice from the holder and replace with natural gas orifice (see step2).
5. Install the air shutter over the burner pipe to cover the air holes. Then reattach the orifice holder to the burner pipe (see step3).
6. Reattach the flex connector to the orifice holder. (See step 4).



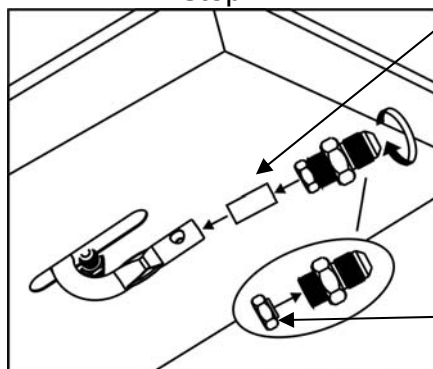
Flex connector

Step1



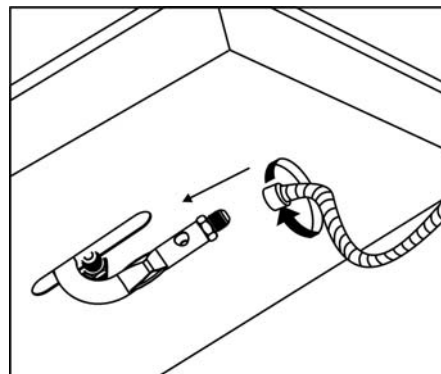
Orifice holder
Propane orifice

Step2



Air shutter
Natural Gas orifice

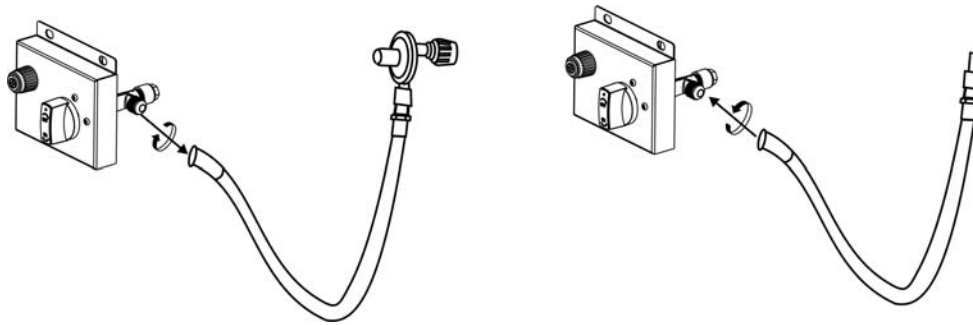
Step3



Step4

7. To convert the regulator from propane to natural gas, the appliance must be isolated from the gas supply piping system by closing its individual manual shut off valve. Ensure any pressure testing of the gas supply piping system is at test pressure equal to or less than 1/2 psi(3.5KPA)
8. Remove the propane rubber hose from valve and replace with 5/8" natural gas pipe (see step5, natural gas pipe package is not provided).
9. Restore your gas supply and check ALL of the connections for leaks using a solution of soapy water. If a leak is discovered and any bubbles are seen, close the main gas valve and re-tighten

ALL the connections. NEVER USE A FLAME TO CHECK FOR GAS LEAKS!



Step5

10. Stick the conversion label on the rating plate as shown in Figure 11.

Metal Rating Plate

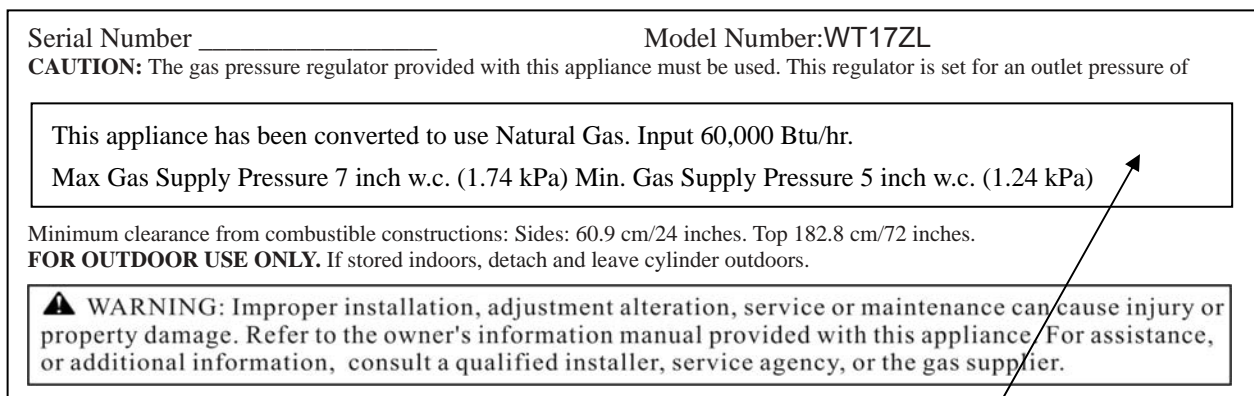
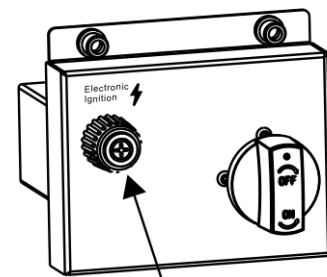


Figure 11

Conversion Label

BATTERIES

Make sure the control knob is in the "OFF" position. Unscrew the push button cap on the ignition module located on the control panel to access the battery compartment. The ignition module requires one Alkaline AA size battery (1.5V). The negative (-) end goes in first. See Figure 12. Dispose of battery safely. May explode or leak if charged or disposed of in fire. Make sure of the polarity. Mercury and cadmium free.



IGNITION MODULE

Figure 12

CAUTIONS: BATTERY INSTRUCTIONS

- Always purchase the correct size and grade of battery most suitable for the intended use.
- Always replace the whole set of batteries at one time, taking care not to mix old and new ones, or batteries of different types.
- Clean the battery contacts and also those of the device prior to battery installation.
- Ensure the batteries are installed correctly with regard to polarity (+ and -).
- Remove batteries from equipment which is not to be used for an extended period of time.
- Remove used batteries promptly.

For recycling and disposal of batteries to protect the environment, please check the internet or your local phone directory for local recycling centers and / or follow local government regulations.

MAINTENANCE

The flames should look like those in Figure 13. To clean the burner, use a soft brush after the burner has cooled completely. Never use a vacuum cleaner on the burner. It is recommended to store the fire pit indoors during winter if it will be subjected to freezing temperatures. The LP cylinder must be disconnected and removed from the appliance before the appliance can be stored indoors.

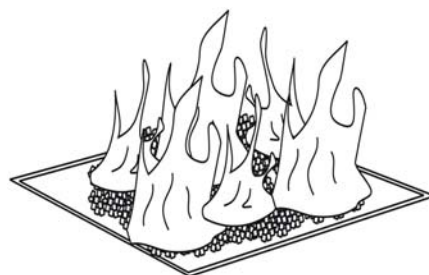
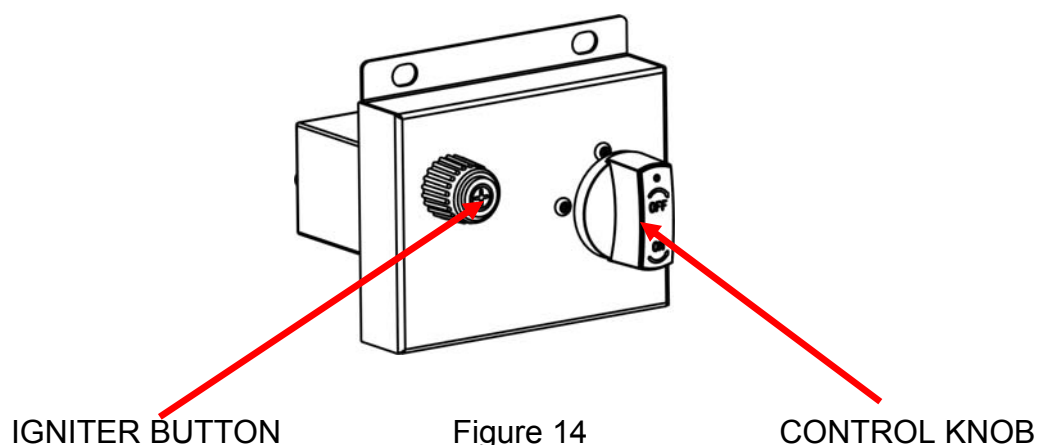


Figure 13

LIGHTING INSTRUCTIONS

Warning: If these instructions are not followed exactly, a fire or explosion may result causing property damage, personal injury, or loss of life.

1. Open the tank drawer and find the control panel on the left. Make sure the control knob is in the "OFF" position. See Figure 14. Open the tank valve all the way.



2. Push in the igniter button. You will hear a slight clicking sound. With the igniter button pushed in, push and turn the control knob to the "ON" position. The fire should light within a few seconds. Once the flame is lit, release the igniter button and continue to hold the control knob in for 10 to 15 seconds. Release the control knob. The control knob should pop back out and then the fire remain lit. Note: If the fire does not light, turn the knob to the "OFF" position and wait five (5) minutes before trying again.

3. To turn down the flame, push the control knob in slightly and turn to Medium (medium flame), or Low (small flame).

4. To shut down the fire pit, turn the control knob to the "OFF" position and turn off the tank valve.

BURNER COVER ASSEMBLY

Place the burner cover on the table top as shown in Figure 15.

WARNING: BEFORE PLACING THE BURNER COVER ON, MAKE SURE THE FIREPIT HAS BEEN SHUT OFF AND THE BURNER HAS COMPLETELY COOLED DOWN.

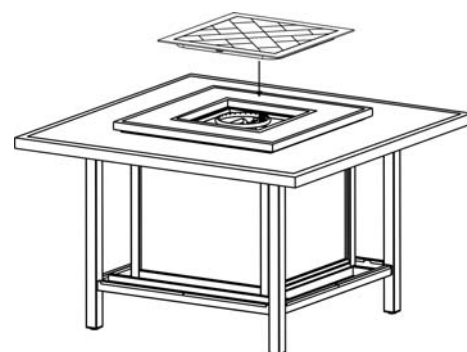


Figure 15

TROUBLESHOOTING GUIDE

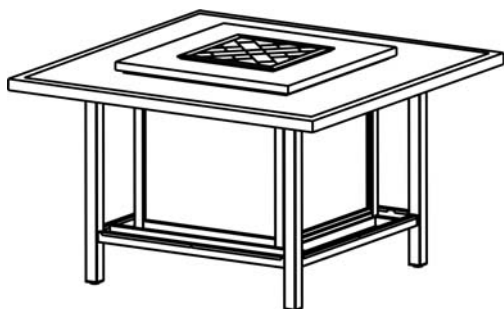
PROBLEM	CAUSE	REMEDY
Burner won't light	No Propane Gas at Burner	Check that gas tank valve is open. Turn control knob to "ON" and push control knob in. Make sure tank has propane gas.
	No Spark at Electrode	Check that AA battery is installed with negative (-) end first and has a charge. Check that the wire is connected to the ignition module. Check that the electrode is not cracked or broken.
	Lack of oxygen	Remove excess lava rocks or fire ice from around the ignition well.
Burner won't stay lit after lighting	Thermocouple not in flame	Check that the tip of the thermocouple is even with the top of the ignition well. Remove any fire ice from the ignition well.
	Thermocouple connection at the main control valve is loose	Tighten the thermocouple nut at the back of the valve.
	No Fire ice on Burner	Cover the burner with fire ice per the instructions.

Our goods come with guarantees that cannot be excluded under the Australian Consumer Law. You are entitled to a replacement or refund for a major failure and for compensation for any other reasonably foreseeable loss or damage. You are also entitled to have the goods repaired or replaced if the goods fail to be of acceptable quality and the failure does not amount to a major failure.

9 PIÈCES ENSEMBLE EN OSIER DE RÉSINE TRESSÉ AVEC BRASERO ITM. / ART. 1900600

INSTRUCTIONS D'ASSEMBLAGE

**IMPORTANT : GARDER POUR RÉFÉRENCE FUTURE. LIRE ATTENTIVEMENT
LES INSTRUCTIONS AVANT DE COMMENCER L'ASSEMBLAGE.**




C US
CSA Model
WT17ZL
ARE01800

WARNING: Il est **DANGEREUX** d'utiliser ce produit pour la cuisson!

AVERTISSEMENT : avant de placer la couverture de brûleur sur, assurez-vous que le foyer a été arrêté et le brûleur a refroidi complètement.

Installateur, laissez ces instructions au consommateur.

Consommateur, gardez ces instructions pour référence future.

DANGER

S'il y a une odeur de gaz:

1. Éteindre l'alimentation en gaz de l'appareil.
2. Éteindre toute source de flamme nue.
3. Si l'odeur persiste, rester éloigné de l'appareil et appeler immédiatement le fournisseur de gaz ou le service des pompiers ou le service des gaz ou le service des pompiers.

AVERTISSEMENT:

une installation, un ajustement, de l'entretien ou de la maintenance incorrects peuvent causer des blessures ou des dommages. Lire attentivement les instructions concernant l'installation, le fonctionnement et l'entretien avant d'installer l'appareil ou d'effectuer son entretien courant.

AVERTISSEMENT

Ne pas entreposer ni utiliser de l'essence ou autres vapeurs et liquides inflammables dans le voisinage de cet appareil ou de tout appareil identique. Lorsqu'une bonbonne de GPL n'est pas utilisée, il ne faut pas l'entreposer à proximité de cet appareil ou tout autre appareil.

AVERTISSEMENT: à usage extérieur seulement

POUR UNE UTILISATION AVEC UNE BONBONNE DE PROPANE DE 9 kg (20 lb) AVEC UNE CONNEXION DE TYPE 1 OU AVEC DU GAZ NATUREL APRÈS QUE L'ENSEMBLE DE CONVERSION A ÉTÉ INSTALLÉ . (CETTE INSTALLATION DOIT ÊTRE FAITE PAR UN PROFESSIONNEL.) LE RÉGULATEUR DE PROPANE LIQUIDE (LP) DOIT AUSSI ÊTRE FOURNI PAR LE FABRICANT.

DANGER

MONOXIDE DE CARBONE



Cet appareil peut produire du monoxyde de carbone, un gaz sans odeur.

L'utilisation de cet appareil en milieu clos peut causer la mort.

Ne jamais utiliser cet appareil dans un lieu clos comme une caravane, une tente, une voiture ou une maison.

AVERTISSEMENT:

N'UTILISER QUE DES PIÈCES DE RECHANGE ET DES ACCESSOIRES APPROUVÉS PAR LE FABRICANT. L'UTILISATION DE PIÈCES OU D'ACCESSOIRES NON APPROUVÉS PEUT ANNULER LA GARANTIE DE CE PRODUIT ET OCCASIONNER DES CONDITIONS DANGEREUSES. NOUS CONTACTER POUR TOUTE INFORMATION CONCERNANT LE REMPLACEMENT DES TUYAUX, THERMOCOUPLES, ÉLECTRODES, MODULES D'ALLUMAGE ET « GLACE DE MÉTHANE », ETC.



Des questions, des pièces manquantes, des problèmes?

Avant d'aller chez le fournisseur, appeler, aux États-Unis et au Canada, notre service à la clientèle au

1-888-383-1932, du lundi au vendredi de 9 h à 17 h (HNE),

ou écrire à customerservice@agio-usa.com (en

TABLE DES MATIÈRES

Informations de sécurité importantes	16
Information importante au sujet du propane.....	17
Caractéristiques	17
Liste des pièces.....	18-19
Installation	19-22
Conversion au gaz naturel	23-24
Piles.....	24-25
Instructions d'allumage.....	25
Entretien	25
Assemblage du couvercle du brûleur et du couvercle du foyer.....	26
Guide de dépannage.....	26

Pour de l'information supplémentaire, une vidéo explicative ou des instructions de dépannage, se rendre sur notre site au : www.agio-usa.com/support/firepits (en anglais).

INFORMATION DE SECURITE IMPORTANTES

L'installation doit être conforme aux codes locaux ou, en leur absence, au National Fuel Gas Code, ANSI Z223.1/NFPA 54; à l'International Fuel Gas Code; au Natural Gas and Propane Installation Code, CSA B149.1; ou au Propane Storage and Handling Code, B149.2.

L'appareil et le robinet de gaz principal doivent être isolés du système de tuyaux d'alimentation en gaz en fermant la vanne d'arrêt pendant tout essai de pression du système d'alimentation en gaz à des pressions d'essai égales ou inférieures à ½ psi (3,5 kPa).

L'appareil doit être isolé du système de tuyaux d'alimentation en gaz en fermant la vanne d'arrêt pendant tout essai de pression du système d'alimentation en gaz à des pressions d'essai égales ou inférieures à ½ psi (3,5 kPa).

Il ne doit jamais y avoir du matériel de combustion, essence et autres vapeurs et liquides inflammables, sur l'aire où se trouve l'appareil.

Ne pas utiliser cet appareil si l'une de ses pièces a été immergée dans l'eau. Appeler immédiatement un technicien de service qualifié afin qu'il inspecte l'appareil et remplace toute pièce du système de contrôle et tout contrôle de gaz qui aurait été immergé.

Les enfants et les adultes doivent être prévenus des dangers des hautes températures sur les surfaces et doivent rester à une distance sécuritaire pour éviter les brûlures ou l'inflammation des vêtements.

Les jeunes enfants doivent être attentivement supervisés quand ils se trouvent à proximité de l'appareil.

Les vêtements et autres matériaux inflammables ne doivent ni être suspendus à l'appareil, ni placés dessus ou à proximité.

Tout écran ou élément de protection retiré pour l'entretien de l'appareil doit être remis avant de le faire fonctionner à nouveau.

L'installation et les réparations doivent être faites par un technicien d'entretien qualifié. L'appareil doit être inspecté avant son utilisation et au moins une fois par an par un professionnel. Des nettoyages plus fréquents peuvent s'avérer nécessaires. Il est impératif que les compartiments de contrôle, les brûleurs et les passages où l'air circule dans l'appareil soient gardés propres.

Ne PAS faire brûler de combustibles solides dans ce foyer à gaz.

N'enflammez PAS le brûleur avant de verser tous les médias de brûleur (la roche de lave ou la glace de feu) dans la casserole de brûleur. Les médias doivent être également distribués sur le brûleur.

Pendant le allumage initial de brasero, absentez-vous s'il vous plaît du brasero depuis 20 minutes puisque les médias de feu (la roche de lave ou la glace de feu) peuvent faire éclater et frapper quelqu'un sur le visage ou les yeux.

N'enflammez PAS ou utilisez le brasero si les médias de brûleur (la roche de lave ou la glace de feu) sont mouillés. Garantisiez que les médias de brûleur sont complètement secs avant de s'enflammer puisque la chaleur intense pourrait faire les médias se fendre et éclater.

Il est dangereux d'utiliser ce produit pour la cuisson!

AVERTISSEMENT : le régulateur de pression de gaz de propane fourni avec cet appareil doit être utilisé. Ce régulateur est installé pour une pression de 11 pouces de colonne d'eau.

Cet appareil à gaz extérieur n'est pas conçu pour être installé dans ou sur un véhicule récréatif et/ou un bateau.

Avant chaque utilisation de cet appareil au gaz, ouvrir le tiroir du réservoir de GPL (gaz de pétrole liquéfié) et inspecter le tuyau de gaz. S'il est évident qu'il y a de l'usure ou de l'abrasion excessive, ou si le tuyau est coupé, il doit être remplacé avant que l'appareil au gaz soit mis en marche. N'utiliser que l'ensemble de tuyaux de remplacement spécifié dans ce manuel. Inspecter le brûleur avant chaque utilisation de l'appareil. Le brûleur doit être remplacé avant que l'appareil soit mis en opération s'il est évident qu'il a été endommagé. N'utiliser que le brûleur indiqué dans ces instructions. Tenir le tuyau d'alimentation éloigné de toute surface chaude

INFORMATION DE SÉCURITÉ IMPORTANTE À PROPOS DU PROPANE (GPL)

Une bonbonne contenant du gaz (GPL) doit avoir une contenance de 9 kg (20 lb) pour être utilisée avec cet appareil et être équipée d'un connecteur de type 1 et d'un OPD (appareil de protection de trop-plein). Voir le schéma 1.

La bonbonne de gaz GPL utilisée doit avoir été fabriquée et marquée selon les spécifications pour les bonbonnes de gaz GPL de l'U.S. Department of Transportation (DOT) ou la norme CAN/CSA-B339, bouteilles et tubes utilisés pour le transport des matières dangereuses de l'Association canadienne de normalisation.

- Le système d'alimentation de la bonbonne doit être préparé pour la sortie de la vapeur.
- La bonbonne utilisée doit comprendre un collier de protection de sa valve.
- Cet appareil sera utilisé seulement à l'extérieur dans un espace bien ventilé et ne sera pas utilisé dans un bâtiment, un garage ou tout autre espace clos.
- Quand cet appareil n'est pas utilisé, l'alimentation en gaz de la bonbonne doit être fermée.
- L'entreposage de cet appareil à l'intérieur n'est autorisé que si la bonbonne est déconnectée et retirée de l'appareil.
- Les bonbonnes doivent être entreposées à l'extérieur dans une zone bien ventilée et hors de la portée des enfants. Les bonbonnes déconnectées doivent avoir des bouchons de valve filetés installés serrés et ne doivent pas être entreposées dans un bâtiment, un garage ou tout autre espace clos.

Certifié conforme aux exigences ANSI Z21.97-2014 / CSA 2.41-2014 de l'Association canadienne de normalisation (CSA) sur les appareils décoratifs d'extérieur fonctionnant au gaz.

Le tuyau de gaz est installé à l'aide d'une pièce de fixation en U de manière à ne pas venir en contact avec le brûleur. Ne pas retirer la pièce de fixation en U. Voir le schéma 2.

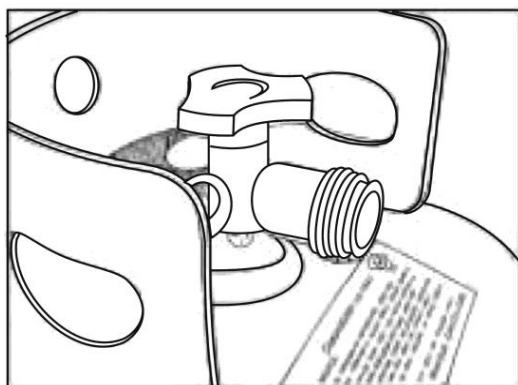


Schéma 1

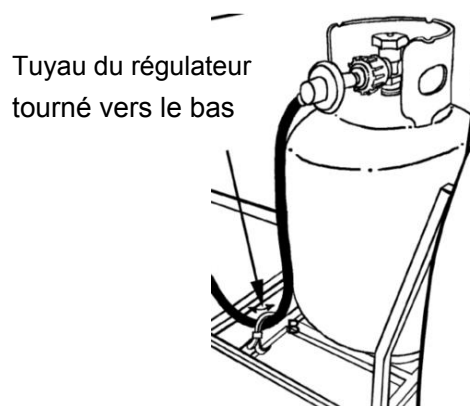
















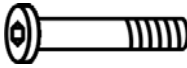






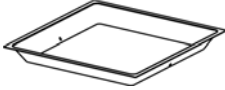



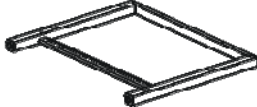

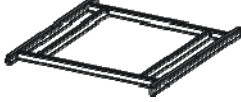
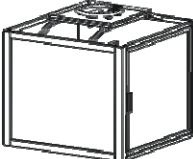
Schéma 2

CARACTÉRISTIQUES

ENTRÉE	60 000 BTU GRAND FEU	
Dégagement par rapport aux surfaces combustibles	latéral 60,96 cm / 24 po	supérieur 182,88 cm / 72 po
Pression de régulation du propane	2,74 kPa / colonne d'eau de 11 pouces	
Pression d'entrée du gaz naturel	1,74 kPa / colonne d'eau de 7 pouces	

LISTE DES PIÈCES

	PIÈCE	DESCRIPTION	No DE PIÈCE	QTÉ
A		BOUTON DE CONTRÔLE	FP2329	1
B		ROBINET DE GAZ	FP2330	1
C		THERMOCOUPLE	FP2331	1
D		CONNECTEUR FLEXIBLE	FP2332	1
E		ÉLECTRODE	FP2333	1
F		MODULE D'ALLUMAGE	FP2334	1
G		BOUTON DE MAINTIEN DE LA BONBONNE DE GPL	FP0585	2
H		ENTRÉE DU PROPANE	FP2103	1
I		TUYAU DE RÉGULATEUR GPL	FP1916	1
J		CAPUCHON DE PIED AJUSTABLE	FC0754	4
K		PILE AA (1,5 V)	HW0905	1
L		OBTURATEUR D'AIR	FP1922	1
M		« GLACE DE MÉTHANE »	FP2006	2
N		ENTRÉE DU GAZ NATUREL	FP1919	1
O		VIS M4	HW0898	3
P		VIS 1/4" X20 MM	HW0036	4
Q		VIS 1/4" X40 MM	HW0086	12
R		VIS 1/4" X60 MM	HW0135	4
S		Ø20 X Ø6.5 X 2.0 MM RONDELLES	HW0594	4
T		Ø6.5 X 1.0 MM RONDELLES	HW0594	16
U		CLÉ HEXAGONALE	HW0006	1

V		URNEVIS CRUCIFORME	HW0900	1
W		ANNEAU DE PROTECTION DU PLATEAU DU BRÛLEUR	FP2301	1
X		ASSEMBLAGE FOYER/BRÛLEUR	FP2302	1
Y		COUVERCLE DU BRÛLEUR	FP2300	1
Z		DESSUS DE TABLE DU FOYER	FP2299	1
AA		PIED DE TABLE FOYER	FP2303	2
BB		SUPPORT DE CONNECTEUR SUPERIEUR	FP2304	1
CC		SUPPORT DE CONNECTEUR INFERIEUR	FP2305	1
DD		CHÂSSIS FOYER	FP2306	1

INSTALLATION

1. Déballer avec précaution tous les articles de la boîte. Mettre la base dans sa position finale. Il faut un espace minimal de 60.96 cm / 24 po entre l'article et tout mur combustible.

2. Attacher le support de connecteur supérieur au châssis foyer en utilisant les boulons 1/4"x40mm et les rondelles Ø6,5 X 1,0mm comme montré à la Schéma 3. Serrer à la main seulement.

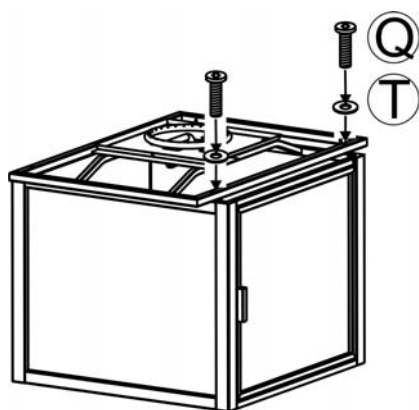


Schéma 3

3. Attacher le support de connecteur inférieur au châssis foyer en utilisant les boulons 1/4"x60mm et les rondelles Ø6,5 X 1,0mm comme montré à la Schéma 4. Serrer à la main seulement.

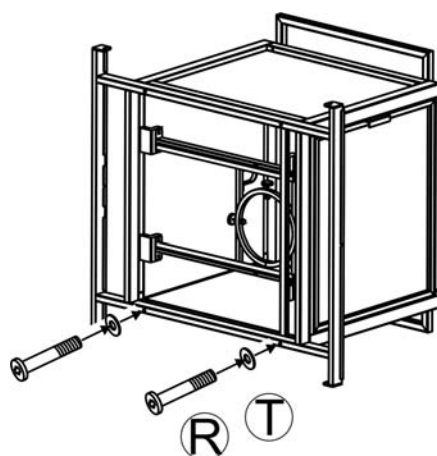


Schéma 4

4. Attacher les supports de connecteur supérieur et inférieur au pied de table en utilisant un boulon 1/4"x40mm et un boulon 1/4"x20mm comme montré à la Schéma 5. Ajouter une rondelle Ø6,5 X 1,0mm à chaque boulon. Serrer à la main uniquement. Répéter l'opération pour le côté opposé.

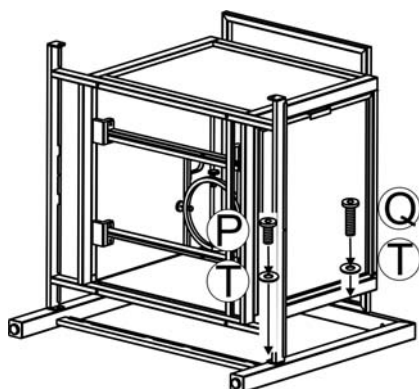


Schéma 5

5. Après avoir fait tous les ajustements nécessaires à l'alignement des supports de connecteur, pied de table et châssis foyer, utiliser le boulon de serrage hexagonal pour serrer tous les boulons. Répérer l'opération jusqu'à ce que tous les boulons soient serrés. Ne pas trop serrer. Un serrage trop fort pourrait démonter les boulons.

6. Placer la partie haute de la table sur la base foyer assemblée. Sécuriser la partie haute de la table à la base firepit en utilisant quatre boulons 1/4"x40mm et quatre rondelles Ø20x6,5x1,0mm comme montré à la Schéma 6.

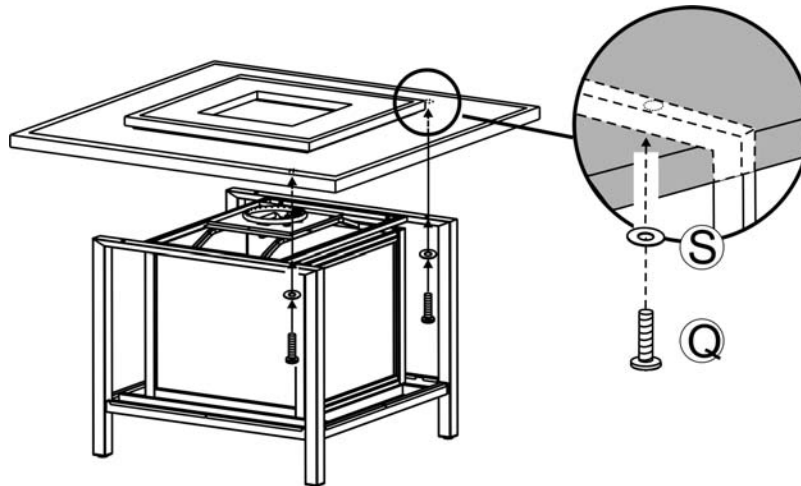


Schéma 6

7. Placer l'anneau de protection du plateau du brûleur dans le brûleur de la base du foyer comme montré à la Schéma 7. Sécuriser l'anneau de protection du plateau du brûleur au plateau du brûleur en utilisant les deux vis M4.

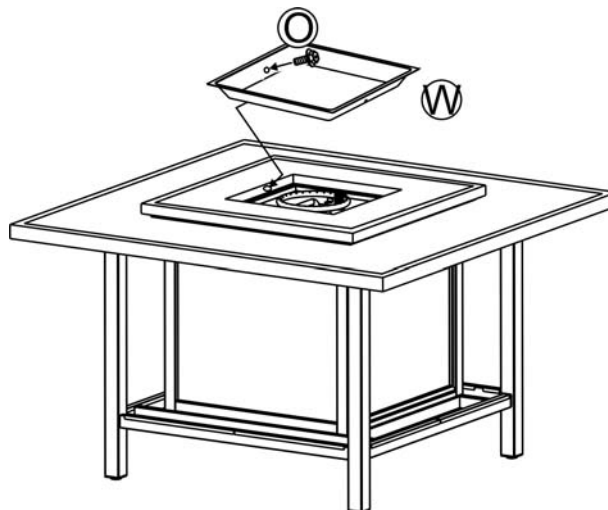


Schéma 7

8. Déposer la glace de méthane dans le bac du brûleur pour le recouvrir complètement. Le poids de la glace de feu est de (8kg plus ou moins 10%). Retirer le glace méthane dans du puits d'allumage comme montré sur le schéma4.

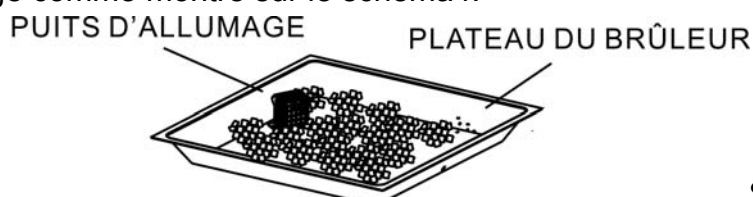


Schéma 8

9. Sortir le tiroir en le faisant glisser et y placer la bonbonne de GPL. Connecter le régulateur tel que montré sur le schéma 9. Visser la poignée noire dans le sens des aiguilles d'une montre pour serrer. Tourner la poignée dans le sens contraire des aiguilles d'une montre pour la retirer. Le tuyau doit pointer vers le bas. Vérifier que le robinet est bien tourné à fond dans le sens des aiguilles d'une montre sur la position « Off » (Arrêt). Ouvrir le robinet de la bonbonne. Appliquer une solution d'eau savonneuse sur la connexion du régulateur de la bonbonne et sur celle du tuyau-robinet pour déceler d'éventuelles fuites. Si la solution fait des bulles, la connexion fuit. Dans ce cas, fermer le robinet de la bonbonne et resserrer les connexions.

NE JAMAIS UTILISER DE FLAMME POUR CHERCHER DES FUITES.

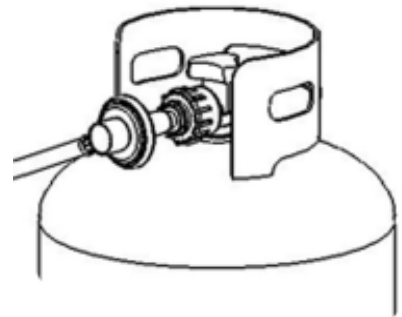
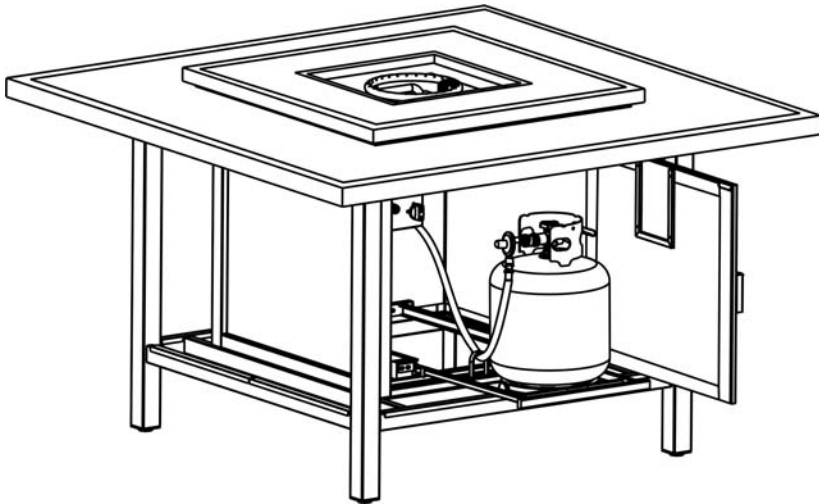


Schéma 9

10. Serrer les tiges filetées qui se trouvent sur le plateau de la bonbonne (schéma 10) pour que la bonbonne de GPL ne puisse pas bouger. Ne pas enlever les capuchons en plastique qui se trouvent au bout des tiges filetées

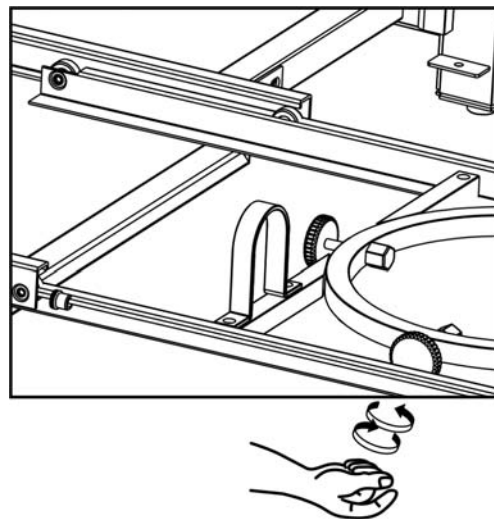


Schéma 10



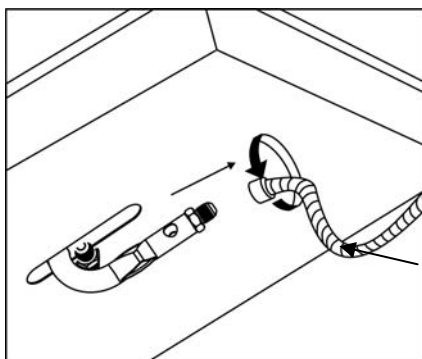
CONVERSION AU GAZ NATUREL



La conversion au gaz naturel doit être faite par le fournisseur de gaz naturel ou l'entreprise qui fait l'entretien.

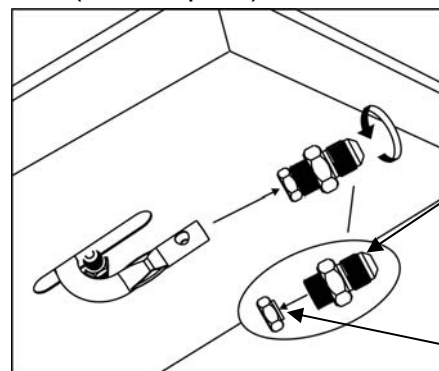
1. ÉTEINDRE L'ALIMENTATION EN GAZ DE L'UNITÉ ET DE TOUTES LES SOURCES OU APPAREILS ÉLECTRIQUES PROCHES

2. Sous le brûleur, déconnecter soigneusement le connecteur flexible attaché au support de l'orifice (voir étape 1).
3. Dévisser soigneusement le support de l'orifice du tuyau du brûleur (voir étape 2).
4. Enlever l'orifice de propane du support et le remplacer avec l'orifice de gaz naturel (voir étape 2).
5. Installer l'obturateur d'air sur le tuyau du brûleur pour couvrir les trous d'air. Réattacher ensuite le support de l'orifice au tuyau du brûleur (voir étape 3).
6. Réattacher le connecteur flexible au support de l'orifice (voir étape 4).



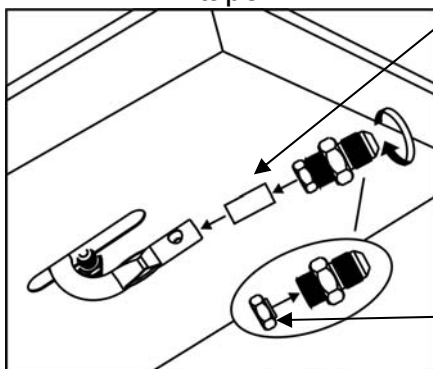
Connecteur flexible

Étape 1



Support de l'orifice
Orifice de propane

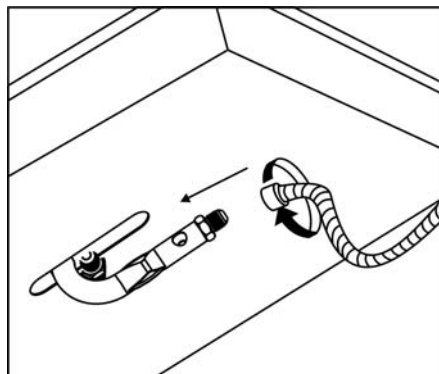
Étape 2



Obturateur d'air

Orifice de gaz naturelle

Étape 3

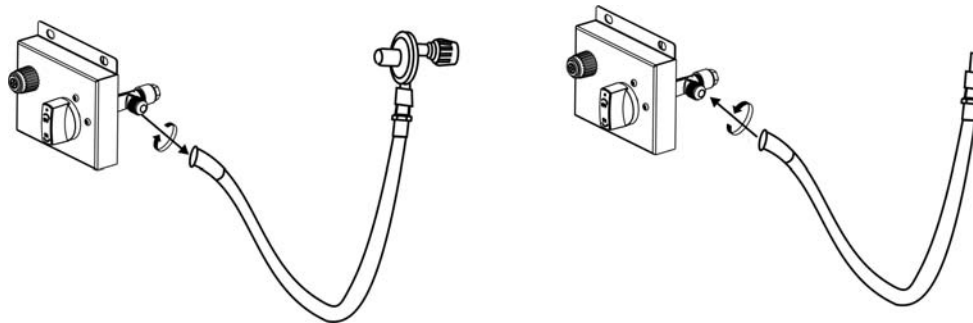


Étape 4

7. Pour convertir le régulateur de propane à gaz naturel, le dispositif doit être isolé du système de tuyau de l'alimentation en gaz en fermant la valve de fermeture manuelle individuelle. Vérifier que tout essais sous pression du système de tuyau d'alimentation en gaz est égal ou inférieur à 1/2 psi (3,5KPA).

8. Enlever le tuyau en caoutchouc de propane de la valve et le remplacer avec un tuyau de gaz naturel 5/8" (voir étape 5, l'ensemble de tuyau de gaz naturel n'est pas fourni).

9. Rétablir l'alimentation en gaz et vérifier TOUTES les connexions pour les fuites en utilisant une solution d'eau savonneuse. Si une fuite est découverte et qu'on voit des bulles, fermer la valve de gaz principale et re-serrer TOUTES les connexions. NE JAMAIS UTILISER UNE FLAMME POUR VÉRIFIER LES FUITES DE GAZ!



Étape 5

10. Coller l'étiquette de conversion sur la plaque signalétique comme montré au schéma 11.

Metal Rating Plate

Numéro de série _____	Numéro de modèle: WT17ZL
AVERTISSEMENT : le régulateur de pression du gaz fourni avec cet appareil doit être utilisé. Ce régulateur est installé pour une pression de sortie de 11 pouces de colonne d'eau (2,7 kPa).	
Cet appareil a été converti pour être utilisé avec du gaz naturel. Entrée 60 000 BTU/h Pression maximale d'alimentation en gaz 7 po colonne d'eau (1,74 kPa). Pression minimale d'alimentation en gaz 5 po colonne d'eau (1,24 kPa)	
Espace minimum entre l'article et une construction combustible : côtés: 61 cm/24 po. Dessus : 1,82 m /74 po POUR USAGE EXTÉRIEUR SEULEMENT. Si entreposé à l'intérieur, détacher et laisser la bonbonne à l'extérieur.	
AVERTISSEMENT : une installation, un ajustement, de l'entretien ou de la maintenance incorrects peuvent causer des blessures ou des dommages. Se reporter au manuel de l'utilisateur fourni avec cet article. Pour de l'aide ou de l'information communiquer avec un installateur qualifié, une entreprise de service ou le fournisseur de gaz.	

Schéma 11

Étiquette de conversion

PILES

S'assurer que le bouton de contrôle est sur « OFF » (Arrêt). Dévisser le capuchon du poussoir sur le module d'allumage situé sur le panneau de contrôle pour accéder au compartiment de piles. Le module d'allumage requiert une pile alcaline AA (1,5 V). Le pôle négatif (-) vient en premier. Voir le schéma 12. Éliminer la pile de façon sécuritaire. La pile peut exploser ou fuir si elle est jetée au feu. Vérifier la polarité. Sans mercure ni cadmium.

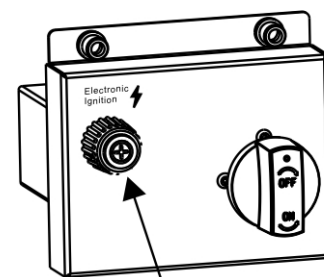


Schéma 12

MODULE D'ALLUMAGE

AVERTISSEMENTS : INSTRUCTIONS POUR LES PILES

- Toujours acheter des piles de taille et de qualité appropriées et correspondant à l'usage Prévu..
- Toujours remplacer toutes les piles de l'appareil en même temps, pour éviter d'utiliser d'anciennes piles avec des piles neuves, ou différents types de piles.
- Avant d'installer des piles, nettoyer le contact des piles et le contact de l'appareil.
- S'assurer que la polarité des piles (+ et -) est respectée au moment de l'installation.
- Enlever les piles de l'appareil si ce dernier ne sera pas en usage pendant un certain temps

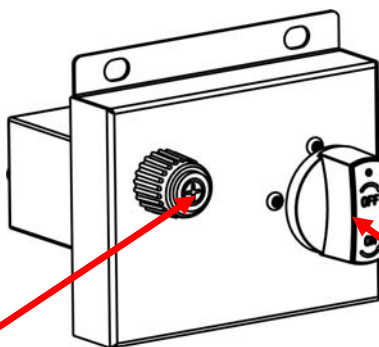
- Retirer les piles usées immédiatement.

Pour recycler ou éliminer les piles de manière écologique, consultez Interney ou votre annuaire téléphonique pour connaître les centres de recyclage près de chez vous, ou pour la réglementation gouvernementale

INSTRUCTIONS D'ALLUMAGE

Avertissement : si ces instructions ne sont pas suivies à la lettre, un incendie ou une explosion peut s'ensuivre et causer des dommages, des blessures, voire un décès.

1. Ouvrir le tiroir et chercher le panneau de contrôle sur la gauche. S'assurer que le bouton de contrôle est sur « OFF ». Voir le schéma 13. Ouvrir complètement le robinet du réservoir.



BOUTON D'ALLUMEUR

Schéma 13

BOUTON DE CONTROLE

2. Pousser sur le bouton d'allumage. Un léger déclic se fera entendre. Le bouton d'allumage toujours enfoncé, pousser et tourner le bouton de contrôle sur « ON ». Le feu devrait s'allumer en quelques secondes. Une fois le bouton d'allumage allumé, le relâcher et tenir le bouton de contrôle enfoncé pendant 10 à 15 secondes. Le bouton de commande devrait sortir en arrière et ensuite le feu reste allumé. Note : si le feu ne s'allume pas, tourner le bouton sur « OFF » et attendre cinq (5) minutes avant d'essayer de nouveau.

3. Pour des flammes plus petites, pousser légèrement le bouton de contrôle et le mettre sur Medium (flammes moyennes), ou Low (petites flammes).

4. Pour éteindre, tourner le bouton de contrôle sur « OFF » et fermer la valve du réservoir.

ENTRETIEN

Les flammes devraient ressembler à celles du schéma 14.

Pour nettoyer le brûleur, utiliser une brosse douce une fois qu'il a complètement refroidi. Ne jamais utiliser un aspirateur sur le brûleur. On recommande que le foyer extérieur soit entreposé à l'intérieur pendant l'hiver s'il risque de subir des températures sous zéro. Il faut débrancher la bonbonne de l'appareil avant d'entreposer l'appareil à l'intérieur.

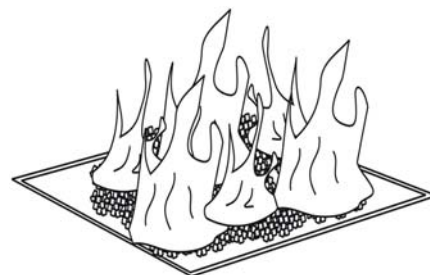


Schéma 14

ASSEMBLAGE DU COUVERCLE DU BRÛLEUR/COUVERCLE DU FOYER

Mettre le couvercle du brûleur sur le dessus de table comme montré sur le schéma 11.

MISE EN GARDE : AVANT DE METTRE LE COUVERCLE DE BRÛLEUR EN PLACE, S'ASSURER QUE LE BRÛLEUR EST ÉTEINT ET QU'IL A COMPLÈTEMENT REFROIDI.

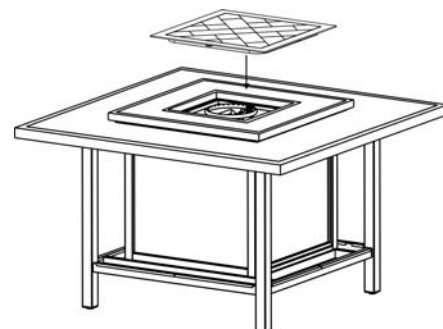


Schéma 15

GUIDE DE DÉPANNAGE

PROBLÈME	CAUSE	SOLUTION
Le brûleur ne s'allume pas.	Pas d'arrivée de propane au brûleur.	Vérifier que le robinet du réservoir de gaz est ouvert. Tourner le bouton de contrôle sur « ON » et le pousser. Vérifier que le réservoir a du gaz.
	Aucune étincelle à l'électrode.	Aucune étincelle à l'électrode Vérifier que la pile AA est installée avec le pôle négatif (-) en premier et qu'elle a une charge. Vérifier que les deux fils sont connectés au module d'allumage. Vérifier que le fil de mise à la terre est connecté au bac du brûleur. Vérifier que l'électrode n'est ni craquelée ni cassée.
Le brûleur ne reste pas allumé.	Le thermocouple n'est pas enflammé.	Vérifier que le haut du thermocouple est au même niveau que le haut du puits d'allumage. Enlever toute « glace de méthane » du puits d'allumage.
	La connexion du thermocouple à la vanne de contrôle principal est lâche.	Resserrer l'écrou du thermocouple à l'arrière de la valve.
	Pas de « glace de méthane » dans le brûleur.	Couvrir le brûleur avec la « glace de méthane » tel qu'indiqué dans les instructions.

Nos articles sont offerts avec des garanties qui ne peuvent connaître d'exclusions au regard de la loi australienne sur la protection des consommateurs. Vous avez droit au remplacement ou au remboursement en cas de défaillance majeure de votre article ainsi qu'à une compensation en cas de perte ou de dommage prévisible. Vous avez aussi droit à la réparation ou au remplacement de l'article s'il n'est pas d'une qualité acceptable et que la défaillance n'est pas majeure.

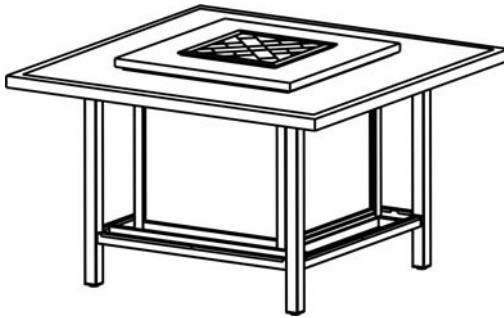
9 PIEZAS JUEGO DE COMEDOR ALTO Y TEJIDO CON FOGÓN

ITM. / ART. 1900600

INSTRUCCIONES DE ENSAMBLADO.


CONSERVE PARA REFERENCIA FUTURA:

LEA CUIDADOSAMENTE ANTES DE ENSAMBLAR



CSA Model
WT17ZL
ARE01800

Instalador: Deje estas instrucciones al onsumidor.
Consumidor: Conserve estas instrucciones para referencia futura.

 **ADVERTENCIA:** NO ES SEGURO de usar este producto para cocinar!

ADVERTENCIA: antes de colocar la tapa del quemador, asegúrese que el hoyo de fuego se ha cerrado y el quemador se ha enfriado completamente.

ADVERTENCIA: La combustión de gas propano contiene sustancias químicas que en el Estado de California E.U.A. son reconocidas como causantes de cáncer, defectos congénitos

 ¡PELIGRO!

Si detecta olor a gas:


1. Cierre el paso del gas al aparato.
2. Extinga toda flama abierta.
3. Si persiste el olor, aléjese del electrodoméstico y llame de inmediato a su proveedor de gas o a los bomberos.

 **ADVERTENCIA:**

La instalación inadecuada, ajuste, alteración, servicios o mantenimiento de manera inapropiada pueden ocasionar lesiones o daños materiales. Antes de instalar este equipo o darle servicio, lea completamente las instrucciones de instalación operación y mantenimiento.

 **ADVERTENCIA:**

No almacene o use gasolina u otros vapores y líquidos inflamables en cercanía con este o cualquier otro electrodoméstico. No almacene cilindros de gas desconectados cerca de este o cualquier otro electrodoméstico.

 **ADVERTENCIA:** Únicamente para uso en exteriores.

 **PELIGRO**

RIESGO DE EXHALACIÓN DE MONÓXIDO DE CARBONO



Este aparato puede producir monóxido de carbono, el cual no tiene olor. Su uso en un espacio cerrado puede ser mortal. No use nunca este aparato en un espacio cerrado, como puede ser una casa rodante, una casa de campaña, un auto o al interior de una casa.

PARA USARSE ÚNICAMENTE CON CILINDROS DE GAS PROPANO DE 9 KG (20 LIBRAS) CON CONEXIÓN TIPO 1 O PARA USARSE CON GAS NATURAL DESPUES DE HABER INSTALADO EL KIT DE CONVERSION (REQUIERE INSTALACIÓN PROFESIONAL) IMPORTANTE: EL REGULADOR DEBE SER EL PROVISTO POR EL FABRICANTE.

ADVERTENCIA: UTILICE ÚNICAMENTE REFACCIONES Y ACCESORIOS APROBADOS POR EL FABRICANTE. EL USO DE REFACCIONES O ACCESORIOS NO APROBADOS PUEDE INVALIDAR LA GARANTÍA DE ESTE PRODUCTO Y DAR COMO RESULTADO UNA SITUACIÓN PELIGROSA. FAVOR DE CONTACTARNOS PARA SOLICITAR INFORMACIÓN SOBRE MANGUERAS DE REPUESTO, TERMOPARES, ELECTRODOS, MÓDULOS DE ENCENDIDO Y HIELO DE FUEGO (FIRE ICE).



¿Preguntas, problemas, piezas faltantes? Antes de regresar este producto a la tienda, comuníquese por favor con nuestro Departamento de Servicio a Clientes en los E.U.A. y Canadá, al tel. 1-888-383-1932, de 9 am a 5 pm, de lunes a viernes, hora del este E.U.A. (inglés y francés) o envíe un correo electrónico a customerservice@agio-usa.com

TABLA DE CONTENIDOS

Información Importante de Seguridad	29
Información sobre Propano	30
Especificaciones.....	30
Listado de Identificación de Partes.....	31-32
Instalación	33-35
Conversión a Gas Natural	36-37
Baterías	37-38
Instrucciones de Encendido	38
Mantenimiento.....	38
Ensamblado de Charola Giratoria/Cubierta del Quemador.....	39
Guía de Solución de Problemas.....	39

Para apoyo adicional en video sobre resolución de problemas e instalación, visite por favor nuestro sitio web:
www.agio-usa.com/support/firepits

INFORMACIÓN IMPORTANTE DE SEGURIDAD

La instalación debe ser conforme a los códigos locales o, en ausencia de éstos, con el Código Nacional de Gas Combustible (National Fuel Gas Code) ANSI Z223.1/NFPA 54; Código Internacional de Gas Combustible; Código Nacional de Instalación de Gas Natural y Gas Propano, CSA B149.1; o Código de Almacenamiento y Manejo de Gas Propano, B149.2, según aplique.

Tanto el electrodoméstico como la válvula principal de alimentación de gas deben estar desconectados del sistema de tuberías de suministro de gas durante toda prueba de presión de ese sistema cuando la presión de dichas pruebas exceda 1/2 psi (3,5 kPa).

Este electrodoméstico debe aislarse del sistema de tuberías de suministro de gas, cerrando su válvula de cierre durante toda prueba de presión del sistema de suministro de gas en presiones iguales o menores a 1/2 psi (3,5 kPa).

El área del electrodoméstico debe mantenerse despejada y libre de materiales combustibles, gasolina y otros vapores y líquidos inflamables.

No use este aparato si alguna de sus partes ha sido sumergida en el agua. Llame de inmediato a un servicio técnico calificado para revisar el electrodoméstico y reemplazar todas las piezas del sistema de control y del sistema de gas que haya estado expuesto bajo el agua.

Se debe alertar a niños y adultos del peligro que representan las superficies expuestas a altas temperaturas y la importancia de mantenerse a una distancia segura para evitar quemaduras o ignición de la ropa.

Los niños menores deben estar bajo estricta supervisión cuando se encuentren cerca del aparato.

No cuelgue ropa ni otros materiales inflamables en el electrodoméstico, ni sobre él ni cerca de él.

Antes de operar, coloque siempre en su lugar la pantalla de guarda que haya quitado para dar servicio al electrodoméstico.

Tanto la instalación como las reparaciones deben ser realizadas por un técnico de servicio calificado. Un técnico profesional de servicio debe revisar el electrodoméstico por lo menos una vez al año y el usuario debe verificarlo también antes de cada uso. La limpieza frecuente puede requerirse según sea necesario. Es imperativo que los compartimientos de control, quemadores y canales de circulación de aire del dispositivo se mantengan siempre limpios.

NO quemé combustibles sólidos en este calefactor.

No encienda el quemador antes de verter todos los medios del quemador (roca de la lava o el hielo de fuego) en la cazuela del quemador. Los medios se deben regularmente distribuir por el quemador.

Durante el encendido inicial de firepit, por favor aléjese del hoyo de fuego durante 20 minutos ya que los medios del fuego (roca de la lava o el hielo de fuego) pueden hacer reventar y golpear a alguien en la cara u ojos.

No encienda o use el hoyo de fuego si los medios del quemador (roca de la lava o el hielo de fuego) son mojados. Asegure que los medios del quemador sean completamente secos antes de encenderse ya que el calor intenso podría hacer que los medios se rajaran y habitantes.

INFORMACIÓN IMPORTANTE DE SEGURIDAD SOBRE EL GAS LP

El cilindro de gas LP a usarse con este electrodoméstico debe tener una capacidad de 9 kg (20 libras) y estar equipado con un conector tipo 1 y un dispositivo de protección de sobrellenado. Figura 1

El cilindro de gas LP debe estar hecho y marcado de conformidad con la especificación para cilindros de gas LP del Departamento de Transporte de los Estados Unidos (DOT) o la Norma Nacional de Canadá, CAN/CSA-B339, "Cilindros, esferas y tubos para el transporte de mercancías peligrosas".

- El sistema de suministro del cilindro debe contar con liberación de vapor.
- El cilindro que se use debe incluir un collar de protección de la válvula.
- Este electrodoméstico debe utilizarse únicamente en exteriores en un espacio bien ventilado y nunca al interior de un edificio, garaje o cualquier otro espacio cerrado.
- Cuando este aparato no esté en uso, debe cerrarse el paso de gas desde el cilindro de suministro.

Se permite almacenar en exteriores este electrodoméstico únicamente si el cilindro de gas está desconectado y retirado del electrodoméstico.

- Los cilindros de gas deben almacenarse en exteriores, en un área bien ventilada y lejos del alcance de los niños. Los cilindros desconectados, deben contar con tapones de rosca firmemente apretados en las válvulas y no deben guardarse en un edificio, cochera ni en ningún otro tipo de área cerrada.

CSA (Asociación Canadiense de Normatividad) certificada con ANSI Z21.97•CSA 2.41-2014 "Dispositivos Decorativos de Gas para Exteriores".

La manguera de gas está enrutada a través de un tornillo en "U" para prevenir que dicha manguera entre en contacto con el quemador. NO retire la manguera del tornillo en "U".

Vea Figura 2.

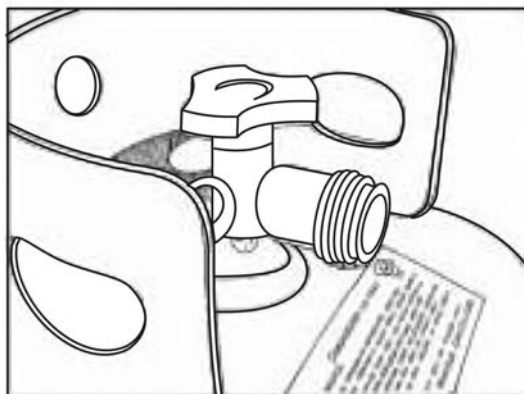


Figura 1



Figura 2

ESPECIFICACIONES

ENTRADA DE CORRIENTE:	60,000 Btu/hr	
Espacios de seguridad hacia superficies combustibles	Hacia los lados 60.96 cm / 24 in	Hacia arriba: 182.88 cm / 72 in
Regulador de Propano Presión	2,74 kPa / 27,94 cm (11 in) columna de agua	
Presión Mínima de Entrada de Gas Natural	1,74 kPa / 17,78 cm (7 in) columna de agua	

LISTADO DE IDENTIFICACIÓN

	PIÈCE	DESCRIPCIÓN :	# DE PARTE	CANT.
A		PERILLA DE CONTROL	FP2329	1
B		VÁLVULA DE GAS	FP2330	1
C		TERMOPAR	FP2331	1
D		FLEX CONNECTOR	FP2332	1
E		ELECTRODO	FP2333	1
F		MÓDULO DE IGNICIÓN	FP2334	1
G		PERILLA DE RETENCIÓN DEL TANQUE LP	FP0585	2
H		ORIFICIO DE PROPANO	FP2103	1
I		MANGUERA REGULADORA DE GAS LP	FP1916	1
J		TAPAS AJUSTABLES PARA LAS PATAS	FC0754	4
K		BATERÍA "AA" (1,5 V)	HW0905	1
L		OBTURADOR DE AIRE	FP1922	1
M		JUEGO DE HIELO DE FUEGO	FP2006	2
N		ORIFICIO DE GAS NATURAL	FP1919	1
O		TORNILLO M4	HW0898	2
P		TORNILLO 1/4" X20 MM	HW0036	4
Q		TORNILLO 1/4" X40 MM	HW0086	12
R		TORNILLO 1/4" X60 MM	HW0135	4
S		Ø20 X Ø6.5 X 2.0 MM RONDANAS	HW0594	4
T		Ø6.5 X 1.0 MM RONDANAS	HW0594	16
U		LLAVE ALLEN	HW0006	1
V		DESTORNILLADOR DE ESTRELLA	HW0900	1

W		ANILLO PROTECTOR DE LA BANDEJA DEL QUEMADOR	FP2301	1
X		ENSAMBLADO PLACA/QUEMADOR	FP2302	1
Y		PLACA GIRATORIA/CUBIERTA DEL QUEMADOR	FP2300	1
Z		CUBIERTA DE MESA DEL CALEFACTOR	FP2299	1
AA		PATA DE MESA DE HOYO DE FUEGO	FP2303	2
BB		SOPORTE CONECTOR SUPERIOR	FP2304	1
CC		SOPORTE CONECTOR INFERIOR	FP2305	1
DD		MARCO BASE DE HOYO DE FUEGO	FP2306	1

INSTALACIÓN

1. Saque de la caja y desempaquete con cuidado todas las piezas. Ubique la base en la posición deseada. Debe haber un mínimo de 60,96 cm de espacio libre hacia los lados de la cubierta de la mesa a cualquier muro combustible alrededor de la misma.

2. Fije el soporte conector superior a el marco de base de hoyo de fuego usando cuatro pernos de 1/4 pulgada x 40 mm y arandelas de Ø6.5x1.0 mm como se muestra en la Figura 3. Apriete a mano únicamente.

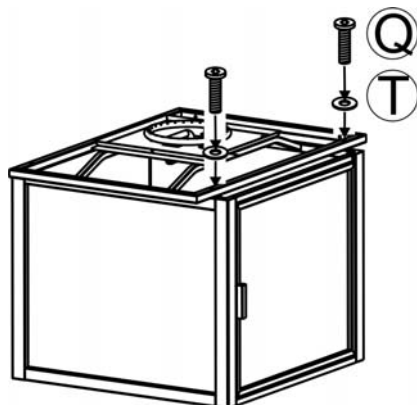


Figura 3

3. Fije el soporte conector inferior a el marco de base de hoyo de fuego usando cuatro pernos de 1/4 pulgada x 60 mm y arandelas de Ø6.5x1.0 mm como se muestra en la Figura 4. Apriete a mano únicamente.

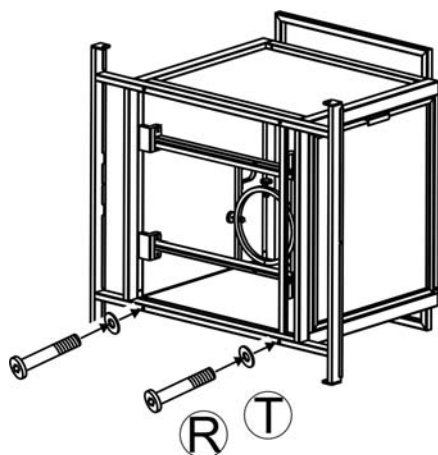


Figura 4

4. Fije el soporte conector superior e inferior a una pata de mesa usando un perno y perno de 1/4 pulgada x 20 mm como se muestra en la Figura 5. Añadir una arandela de Ø6.5x1.0 mm a cada perno. Apriete a mano únicamente. Repita en el lado opuesto.

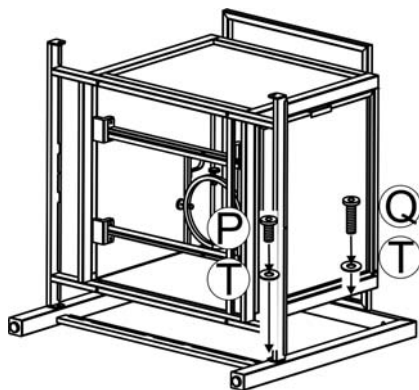


Figura 5

5. Después de realizar cualquier ajuste necesario para alinear el soportes conector, patas de mesa, y el marco base de hoyo de fuego, utilice el atornillador de pernos hexagonales para apretar todos los pernos. Repita hasta que todos los pernos estén apretados. No sobreapriete. Si sobreaprieta puede desmontar los pernos.

6. Coloque el tablero en la base del hoyo de fuego ensamblado. Asegure el tablero a la base del hoyo de fuego usando cuatro pernos de 1/4 pulgada x 40 mm y arandelas de Ø20x6.5x1.0 mm como se muestra en la Figura 6.

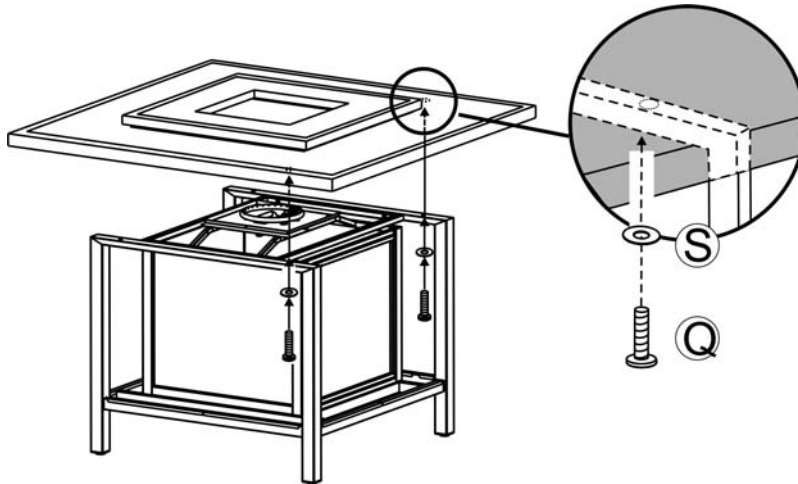


Figura 6

7. Coloque el anillo protector de la bandeja del quemador en el quemador de la base del fogón como se muestra en la Figura 7. Asegure el anillo protector de la bandeja del quemador a la bandeja del quemador utilizando los dos tornillos M4.

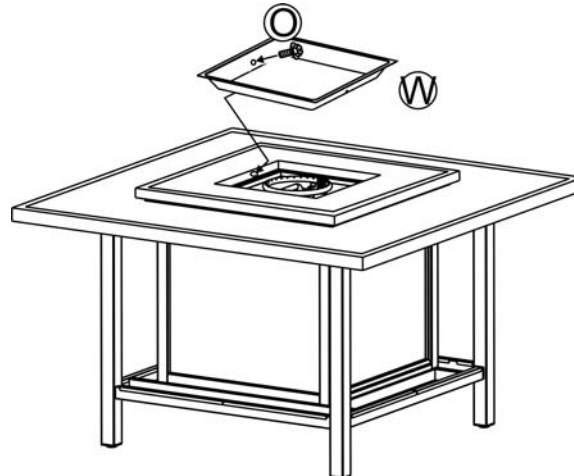


Figura 7

8. Coloque el hielo de fuego en la placa del quemador, de manera que cubra por completo el quemador. El peso del hielo de fuego es (8 kg más y menos 10%). Quite cualquier o fuego hielo que haya quedado sobre el pozo de ignición como la Figura 8.

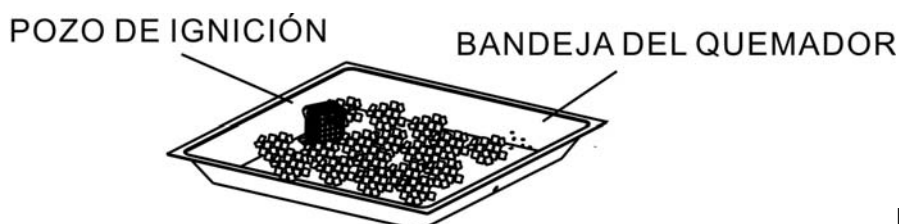


Figura 8

9. Deslice hacia afuera el cajón del tanque y coloque el cilindro de gas LP dentro. Conecte el regulador, como se indica en la Figura 9. Gire el asa negra en sentido de las manecillas del reloj, para apretarla. Para quitarlo, gire el asa en sentido contrario de las manecillas del reloj. La manguera debe apuntar hacia abajo. Revise que la válvula esté completamente girada en sentido de las manecillas del reloj a la posición OFF/APAGADO. Abra la válvula del tanque. Aplique una solución de agua jabonosa a la conexión del regulador del tanque y a la conexión válvula-manguera, para verificar si hay fugas. Si se forman burbujas de jabón, quiere decir que la conexión tiene una fuga. Si encuentra una fuga, cierre la válvula del tanque y apriete todas las conexiones.

NO ENCIENDA NUNCA UNA FLAMA PARA VERIFICAR SI HAY FUGAS.

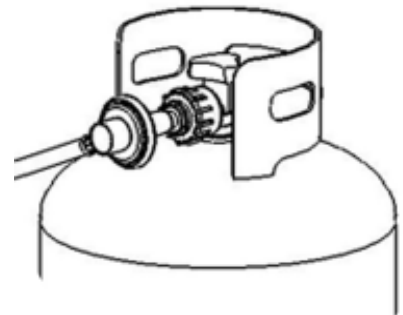
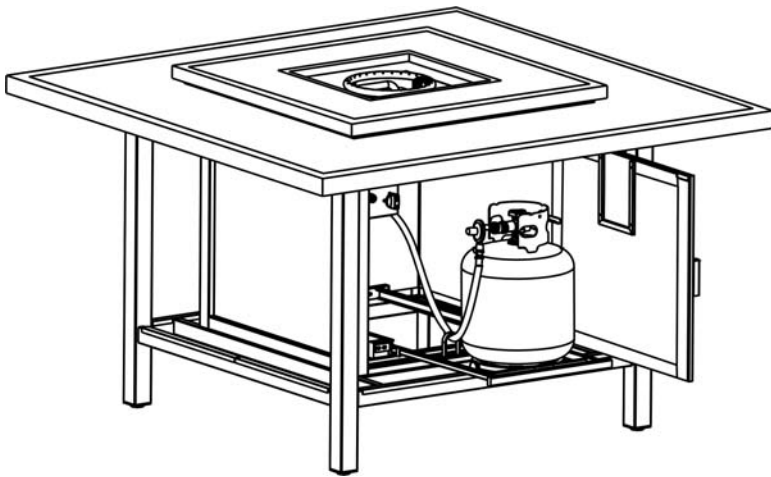


Figura 9

10. Apriete las perillas roscadas (G) que hay en la charola del tanque (Figura 10), de manera que el tanque de gas LP no se pueda mover de un lado a otro. No quite la tapa plástica del extremo de la sección roscada.

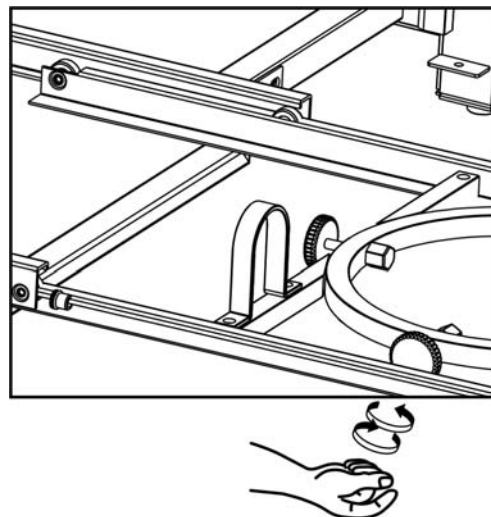


Figura 10



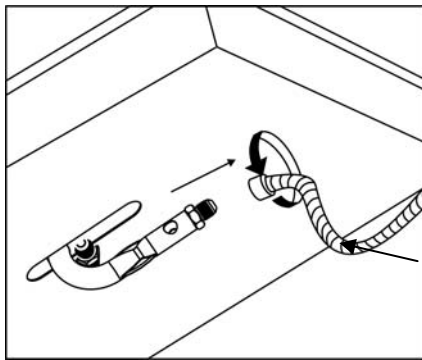
CONVERSIÓN A GAS NATURAL



La conversión a uso de gas natural la debe realizar únicamente su proveedor de gas natural o una compañía profesional de este servicio.

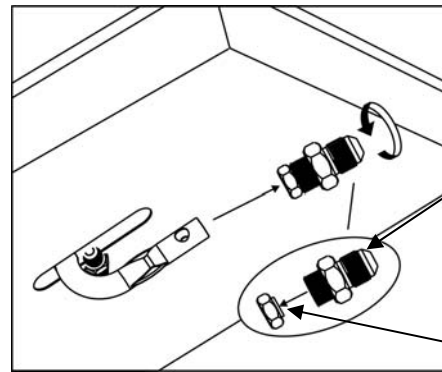
1. CIERRE EL SUMINISTRO DE GAS A LA UNIDAD Y A CUALQUIER FUENTE O APLICACIÓN ELÉCTRICA CERCANA

2. Debajo del quemador, desconecte con cuidado el conector flexible conectado al soporte del orificio (consulte el paso 1).
3. Desenrosque con cuidado el soporte del orificio de la tubería del quemador (consulte el paso 2).
4. Retire el orificio de propano del soporte y reemplace con el orificio de gas natural (consulte el paso 2).
5. Instale el obturador de aire sobre el tubo del quemador para cubrir los orificios de aire. A continuación, vuelva a colocar el soporte del orificio en la tubería del quemador (consulte el paso 3).
6. Vuelva a colocar el conector flexible en el soporte del orificio. (Consulte el paso 4).



Conector flexible

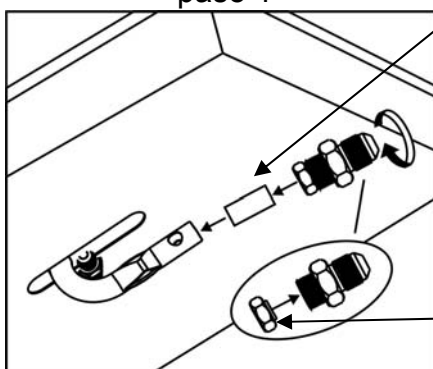
paso 1



Soporte del orificio

Orificio de propano

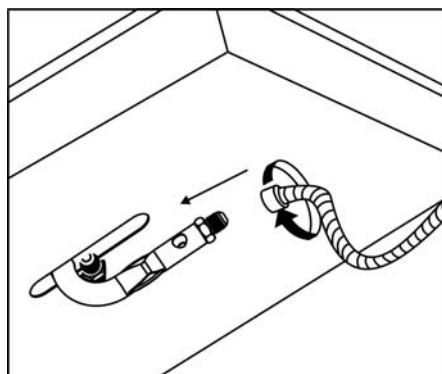
paso 2



Obturador de aire

Orificio de gas natural

paso 3

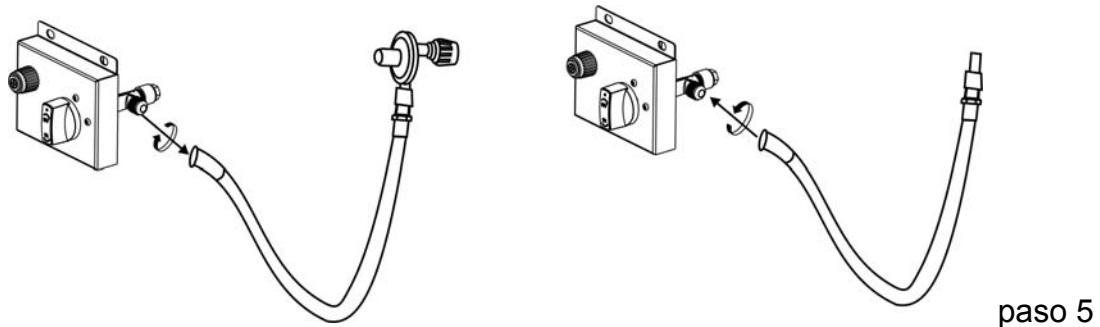


paso 4

7. Para adaptar el regulador de propano a gas natural, el artefacto debe aislarse del sistema de tuberías de suministro de gas cerrando su válvula de cierre manual individual. Asegúrese de que cualquier prueba de presión del sistema de tuberías de suministro de gas esté a una presión de prueba igual o menor a 1/2 psi (3.5KPA)

8. Retire la manguera de goma de propano de la válvula y reemplácela con una tubería de gas natural de 5/8" (consulte el paso 5; no se incluye el paquete de tubería de gas natural).

9. Restaure su suministro de gas y verifique TODAS las conexiones para detectar fugas usando una solución de agua jabonosa. Si se descubre una fuga y se observan burbujas, cierre la válvula de gas principal y vuelva a apretar TODAS las conexiones.
¡NUNCA UTILICE UNA LLAMA PARA VERIFICAR QUE NO HAYA FUGAS DE GAS!



10. Pegue la etiqueta de conversión en la placa de características como se muestra en la Figura 11.

Placa metálica de Clasificación

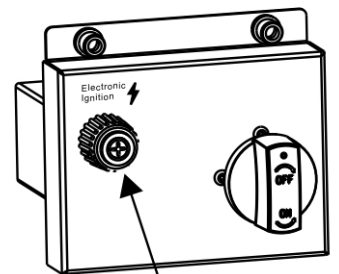
Número de Serie: _____	Número de Modelo: WT17ZL
PRECAUCIÓN: Use únicamente el regulador de presión de gas que se adjunta con este dispositivo. Este regulador está ajustado para una presión de salida de	
Este electrodoméstico se convirtió a uso de Gas Natural. Entrada 60,000 Btu/hr. Presión máxima de Suministro de Gas 17,78 cm (7 in) c.a. (1.74 kPa) Presión mínima de Suministro de Gas	
Espacio mínimo despejado de alejamiento de construcciones combustibles: A los lados: 609 mm (24 in) Hacia arriba 1828 mm (72 in)	
ÚNICAMENTE PARA USO EN EXTERIORES. En caso de almacenarse en interiores, desconecte los cilindros de gas y déjelos afuera.	
⚠️ ADVERTENCIA: Instalación inadecuada, alteración de los ajustes, el servicio o mantenimiento pueden provocar lesiones o daño a la propiedad. Consulte el manual del propietario suministrado con este aparato. Para obtener asistencia o información adicional, consulte a un instalador calificado, agencia de servicio o proveedor de gas.	

Figura 11

Etiqueta de Conversión

BATERÍAS

Asegúrese que la perilla de control esté en la posición OFF/APAGADO. Desatornille la tapa del botón de presión que hay en el módulo de ignición, que se encuentra en el panel de control para acceder al compartimiento de la batería. El modulo de ignición requiere una batería alcalina tamaño AA (1,5 V). El extremo del polo negativo (-) entra primero. Vea Figura 12. Deseche la batería de manera segura. La batería puede explotar o fugar si se carga o se desecha en fuego. Asegúrese de insertarla en la polaridad correcta. La batería que se incluye no tiene mercurio ni cad



MÓDULO DE ENCENDIDO

Figura 12

PRECAUCIONES: INSTRUCCIONES PARA LA BATERÍA

- Compre siempre las baterías del tamaño y clasificación más adecuados para el uso previsto.
- Reemplace siempre el juego completo de baterías en una sola vez, teniendo cuidado de no mezclar baterías nuevas con usadas o de diferentes tipos.
- Limpie los contactos de las baterías y los del aparato antes de instalar las pilas.

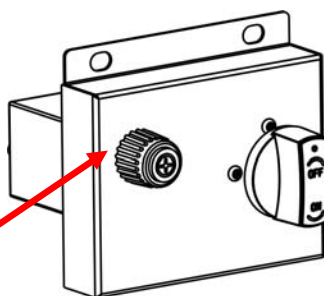
- Asegúrese que las baterías estén bien colocadas respecto a la polaridad (+ y -).
- Si no se va a utilizar el equipo por un tiempo prolongado, retire las pilas.
- Cambie las pilas usadas de inmediato.

Para reciclar y desechar baterías respetando el medio ambiente, favor de consultar en internet o en su directorio telefónico los centros locales de reciclaje y/o siga las regulaciones gubernamentales locales.

INSTRUCCIONES DE ENCENDIDO

Advertencia: El no seguir estas instrucciones de forma exacta, puede dar como resultado un incendio ó explosión, ocasionando daños materiales, lesiones personales o incluso pérdida de vidas humanas.

1. Al abrir el cajón del tanque, encontrará el panel de control al lado izquierdo. Asegúrese que la perilla de control esté en la posición OFF/APAGADO. Vea Figura 13. Abra completamente la válvula del tanque.



BOTÓN DE ENCENDIDO

Schéma 13

PERILLA DE CONTROL

2. Presione el botón de ignición. Va a escuchar un ligero chasquido. Presionando el botón de ignición, presione y gire la perilla de control hasta la posición ON/ENCENDIDO. En unos segundos debe encenderse el fuego. Una vez encendida la llama, libere el botón de ignición, pero continúe presionando la perilla de control durante otros 10 seg - 15 seg. Libere la perilla de control. La perilla de control regresará a su posición original y el fuego debe permanecer encendido. Nota: Si no se enciende el fuego, gire la perilla a la posición OFF/APAGADO y espere cinco (5) minutos antes de volver a intentar encenderlo.

3. Para disminuir la flama, presione ligeramente hacia dentro la perilla de control y gire a Medio (flama media) o Bajo (flama baja).

4. Para apagar el calefactor, gire la perilla de control a la posición OFF/APAGADO y cierre la válvula del tanque

MANTENIMIENTO

Las flamas deben verse como se indica en la Figura 14. Para limpiar el quemador, una vez que esté completamente frío, utilice un cepillo suave. No use nunca una aspiradora para limpiar el quemador. Se recomienda guardar el calefactor en interiores durante el invierno, en caso de que quede expuesto a temperaturas de congelación. El cilindro de gas LP debe desconectarse y retirarse del electrodoméstico antes de guardar este último en interiores.

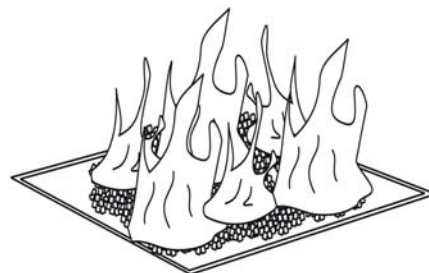


Figura 14

ENSAMBLADO DE CHAROLA GIRATORIA/ CUBIERTA DEL QUEMADOR

Coloque la parrilla giratoria/cubierta del quemador sobre la cubierta de la mesa, como se indica en la Figura 15.

ADVERTENCIA: ANTES DE COLOCAR LA CHAROLA GIRATORIA/CUBIERTA DEL QUEMADOR, ASEGÚRESE QUE EL CALEFACTOR ESTÉ APAGADO Y QUE EL QUEMADOR ESTÉ COMPLETAMENTE FRÍO.

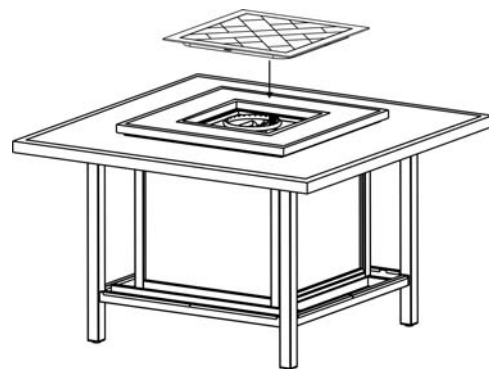


Figura 15

GUÍA DE SOLUCIÓN DE PROBLEMAS

PROBLEMA	CAUSA	REMEDIO
El quemador no enciende	No hay gas propano en el quemador	Revise que la válvula del tanque de gas esté abierta. Gire la perilla de control a la posición ON/ENCENDIDO y empuje la perilla de control hacia adentro; asegúrese que el tanque tiene gas propano.
	El electrodo no hace chispa	Revise que la batería AA esté instalada con el polo negativo (-) primero y que tiene carga. Verifique que el cable esté conectado con el módulo de ignición. Revise que el electrodo no presente grietas o esté roto.
	Falta de oxígeno	Quite cualquier exceso de piedra de lava o fuego de hielo que haya alrededor del pozo de ignición.
El quemador no se mantiene prendido después de encenderse	El termopar no se prende	Revise que la punta del termopar esté nivelada con la parte superior del pozo de ignición. Quite los residuos de hielo de fuego del pozo de ignición.
	La conexión del termopar en la válvula principal de control está floja	Apriete la tuerca del termopar que hay en la parte trasera de la válvula.
	No hay Hielo de Fuego en el Quemador	Cubra el quemador con hielo de fuego, de acuerdo a las instrucciones.

Nuestros productos vienen con garantías que no se pueden excluir bajo las Leyes del Consumidor de Australia. Usted tiene derecho a un cambio o devolución por una falla mayor y a compensación por cualquier otra pérdida o daño razonablemente previsibles. También tiene derecho a la reparación o reemplazo de los bienes, si éstos no cumplen con una calidad aceptable y la falla no constituye una falla mayor.

Distributed by:
Costco Wholesale Corporation
P.O. Box 34535
Seattle, WA 98124-1535
USA
1-800-774-2678
www.costco.com

Imported by / Importé par :
Costco Wholesale Canada Ltd.*
415 W. Hunt Club Road
Ottawa, Ontario
K2E 1C5, Canada
1-800-463-3783
www.costco.ca
* faisant affaire au Québec sous
le nom les Entrepôts Costco

Importado por:
Importadora Primex S.A. de C.V.
Blvd. Magnocentro No. 4
San Fernando La Herradura
Huixquilucan, Estado de México
C.P. 52765
RFC: IPR-930907-S70
(55)-5246-5500
www.costco.com.mx

Imported by:
Costco Wholesale Australia Pty Ltd
17-21 Parramatta Road
Lidcombe NSW 2141
Australia
www.costco.com.au

Imported by:
Costco Wholesale UK Ltd /
Costco Online UK Ltd
Hartspring Lane
Watford, Herts
WD25 8JS
United Kingdom
01923 213113
www.costco.co.uk

Importado por:
Costco Wholesale Spain S.L.U.
Polígono Empresarial Los Gavilanes
C/ Agustín de Betancourt, 17
28906 Getafe (Madrid) España
NIF: B86509460
900 111 155
www.costco.es

Distributed by:
Costco Wholesale Iceland ehf.
Kauptún 3-7, 210 Gardabaer
Iceland
www.costco.is

Distribué par :
Costco France
1 avenue de Bréhat
91140 Villebon-sur-Yvette
France
01 80 45 01 10
www.costco.fr

Imported by:
Costco Wholesale Japan Ltd.
3-1-4 Ikegami-Shincho
Kawasaki-ku, Kawasaki-shi,
Kanagawa 210-0832 Japan
044-281-2600
www.costco.co.jp

Imported and Distributed by:
Costco Wholesale Korea, Ltd.
40, Iljik-ro
Gwangmyeong-si
Gyeonggi-do, 14347, Korea
1899-9900
www.costco.co.kr

Imported by / Manufactured for:
Costco President Taiwan, Inc.
No. 656 Chung-Hwa 5th Road
Kaohsiung, Taiwan
Company Tax ID: 96972798
449-9909 or 02-449-9909 (if cellphone)
www.costco.com.tw

Imported by / Distributed by:
Shanghai Minhang Costco Trading Co., Ltd
Unit 109, No 388, Lian You Road
Minhang District, Shanghai
China 201107
+86-21-6257-7065

MADE IN CHINA
FABRIQUÉ EN CHINE
HECHO EN CHINA

CARE AND MAINTENANCE

FRAMES

Cleaning - Use mild soap and warm water. Do not use abrasive materials, cleansers or bleach products. Rinse with clean water and dry thoroughly.

Maintenance - Periodically clean and dry thoroughly. Be sure to drain any water accumulated inside the frames. To thoroughly drain frames, remove foot caps and tilt the frames, if necessary, to remove all water. This is critical. Water allowed to accumulate inside the frames and then exposed to sub-freezing temperatures can cause damage to the frame tubing. Such damage is not covered under warranty. Always clean, drain and dry thoroughly before storing for the winter. For best results, always store or cover your furniture when not in use.

** When cleaning or moving large or heavy items, always have two people work together. Never drag furniture.

SPECIAL WARNINGS

THIS ITEM IS INTENDED FOR OUTDOOR DOMESTIC USE ONLY, NOT FOR COMMERCIAL USE.

Our goods come with guarantees that cannot be excluded under the Australian Consumer Law. You are entitled to a replacement or refund for a major failure and for compensation for any other reasonably foreseeable loss or damage. You are also entitled to have the goods repaired or replaced if the goods fail to be of acceptable quality and the failure does not amount to a major failure.

9 PIECE WOVEN HIGH DINING FIRE SET ITM. / ART. 1900600

PATIO FURNITURE ASSEMBLY INSTRUCTIONS

IMPORTANT

RETAIN FOR FUTURE REFERENCE: READ CAREFULLY

MISSING PARTS OR DAMAGED PARTS?

Please call our customer service

**US & Canada : 1-888-383-1932 (English and French)
or contact email address at customerservice@agio-usa.com**

**CUSTOMER SERVICE HOURS ARE 9:00AM - 5:00PM
MONDAY - FRIDAY EST.**

International Regions:

**Please visit <http://www.agio-usa.com/service-center/costco-international/>
or contact email address at customerservice@agio-usa.com**

**TO EXPEDITE ANY FUTURE WARRANTY CLAIMS AND TO RECEIVE
UPDATED PRODUCT INFORMATION, BE SURE TO REGISTER YOUR
PURCHASE ON OUR WEBSITE AT: www.agio-usa.com**

**FOR ADDITIONAL SUPPORT ON CARE AND MAINTENANCE OF
YOUR AGIO OUTDOOR FURNITURE PLEASE VISIT OUR WEBSITE
AT: www.agio-usa.com/support**

Agio International Corporation
1250 Oakmead Parkway
Suite 210 Sunnyvale,
Ca 94085-4037 USA

AFE01411
ARE01800

MADE IN CHINA

Clay / Porcelain Tabletop

About Clay / Porcelain Tile

Clay / Porcelain Tile is a material that is compressed and heated at high temperatures. Though the material is stain resistant, the grout is porous and could stain. Your tabletop has been sealed and protected with a specially formulated, high quality sealer to minimize staining.

The tabletop can retain heat depending on the outside temperature. In sunny hot weather conditions, care should be exercised when touching the tabletop.

Care and Maintenance

Your tabletop is protected with our specially formulated factory sealer that offers a high level of protection from all stains and acidic liquids and should not break down over time or with normal outdoor use.

The tabletop should not require frequent reapplication of sealer to maintain its durability and the sealer can be easily repaired if it becomes scratched or damaged. However, should you choose to seal your tabletop, you should use only the sealer that was applied to your tabletop during its factory production.

Chemical formulations of sealer products vary and could be incompatible with the sealer that was originally used on your tabletop. Using any sealer other than our factory sealer might produce undesirable results and will void any applicable warranty. Before you reseal your tabletop or to obtain our factory sealer, please visit our website at www.agio-usa.com/claycare or www.agio-usa.com/porcelaincare or call our Customer Service Center in the US and Canada at 1-888-383-1932.

Cleaning

Clay and porcelain are virtually maintenance free. Just keep the table clean with mild soap and water to keep mold & mildew from forming. Simply use clean water and mild dish soap. Clean the tabletop with a soft, clean, white cloth or sponge.

Never use scouring creams, abrasive cleansers, acids, or petroleum based products. Rinse with plenty of clean water to remove soap residue. Dry thoroughly after cleaning to prevent buildup of any residue from minerals that might be present in your water, even with softened water.

Spills

Accidental spills should be cleaned immediately even though your tabletop is sealed. Wipe spills with a clean, soft white cloth. Rinse with clean, warm water and dry thoroughly. The special factory sealer forms a protective barrier that will minimize potential damage to the tabletop by allowing more clean-up time for accidental spills.

Recommendations

To help protect the sealer, use coasters and placemats when dining. Coasters will help absorb sweating by beverage containers and prevent hot containers such as mugs from leaving rings. Placemats will catch spills and prevent dishes from scratching the sealer if dragged across the tabletop. Use trivets or hot pads between dishes and the tabletop to minimize rapid heat transfer. The tabletop can rapidly draw heat from a hot dish and potentially crack the dish. Cover your dining set with an outdoor furniture cover when not in use.

For additional and more detailed information on clay / porcelain tabletop care, sealing the tabletop or to repair damages, visit our website at www.agio-usa.com/claycare or www.agio-usa.com/porcelaincare or call our Customer Service Center in the US and Canada at 1-888-383-1932.

SOINS ET ENTRETIEN

CADRES

Nettoyage : utiliser un savon doux et de l'eau tiède. Ne pas utiliser d'abrasifs, de détergents, ou d'agents de blanchiment. Rincer à l'eau claire et bien sécher.

Entretien : périodiquement, nettoyer et sécher soigneusement. Bien drainer toute l'eau accumulée dans les cadres. Pour ce faire, enlever le capuchon de pattes et incliner les cadres, si nécessaire, pour en faire sortir toute l'eau. Ceci est très important. L'eau qui s'accumule dans les cadres, puis est exposée à des températures sous zéro, peut endommager les tubes des cadres. De tels dommages ne sont pas couverts par la garantie. Toujours nettoyer, drainer et sécher soigneusement avant d'entreposer pour l'hiver. Pour de meilleurs résultats, toujours entreposer ou recouvrir le mobilier qui n'est pas utilisé.

Il est recommandé que deux personnes nettoient ou bougent les articles lourds ou encombrants. Ne jamais traîner le mobilier.

AVERTISSEMENTS SPÉCIAUX!

CET ARTICLE EST CONÇU UNIQUEMENT POUR UNE UTILISATION NON COMMERCIALE À L'EXTÉRIEUR.

Nos articles sont offerts avec des garanties qui ne peuvent connaître d'exclusions au regard de la loi australienne sur la protection des consommateurs. Vous avez droit au remplacement ou au remboursement en cas de défaillance majeure de votre article ainsi qu'à une compensation en cas de perte ou de dommage prévisible. Vous avez aussi droit à la réparation ou au remplacement de l'article s'il n'est pas d'une qualité acceptable et que la défaillance n'est pas majeure.

**9 PIÈCES ENSEMBLE EN OSIER DE
RÉSINE TRESSÉ AVEC BRASERO
ITM. / ART. 1900600**

**INSTRUCTIONS D'ASSEMBLAGE POUR
MOBILIER DE PATIO**

IMPORTANT

**À LIRE ATTENTIVEMENT
ET À CONSERVER**

DES PIÈCES MANQUENT OU SONT ENDOMMAGÉES?

Veillez communiquer avec notre service à la clientèle

Au Canada et aux États-Unis, téléphoner au 1-888-383-1932

ou envoyer un courrier électronique à customerservice@agio-usa.com.

**HEURES D'OUVERTURE DU SERVICE À LA CLIENTÈLE :
9 h à 17 h (HNE) DU LUNDI AU VENDREDI.**

Régions internationales :

Veillez visiter <http://www.agio-usa.com/service-center/costco-international/>
ou contacter via l'adresse courriel customerservice@agio-usa.com.

**POUR ACCÉLÉRER TOUT TRAITEMENT FUTUR D'UNE RÉCLAMATION
EN VERTU DE LA GARANTIE ET POUR RECEVOIR DE NOUVEAUX
RENSEIGNEMENTS SUR LE PRODUIT, ENREGISTRER LE PRODUIT
ACHETÉ SUR NOTRE SITE WEB : www.agio-usa.com.**

**POUR UN SOUTIEN VIDÉO ADDITIONNEL À L'ASSEMBLAGE, POUR
RÉSOUTRE DES PROBLÈMES OU POUR L'ENTRETIEN DU MATÉRIEL DE
PATIO AGIO, SE RENDRE SUR NOTRE SITE WEB :
<http://www.agio-usa.com/support>(en anglais seulement)**

Agio International Corporation
1250 Oakmead Parkway
Suite 210 Sunnyvale,
Ca 94085-4037 USA

AFE01411
ARE01800

FABRIQUÉ EN CHINE

Vos Carreaux De Argile / Porcelaine

Les carreaux de argile / porcelaine

La argile / porcelaine est un matériau comprimé et chauffé à haute température. Si elle résiste aux taches, le lait de ciment, lui, est poreux et pourrait être taché. Votre dessus de table a été scellé et protégé par un scellant spécialement conçu et de grande qualité qui devrait minimiser la formation de taches.

Le dessus de table peut retenir la chaleur en fonction de la température à l'extérieur. Lors de journées ensoleillées et chaudes, il faudrait faire attention en touchant le dessus.

Soins et entretien

Votre dessus de table en argile / porcelaine est protégé grâce à un scellant d'usine spécialement préparé à cet effet. Ce produit offre une protection élevée contre les taches et les liquides acides sans se décomposer avec le temps ou un usage normal à l'extérieur.

Pour maintenir le dessus de table en bon état, il n'est pas nécessaire d'y appliquer de scellant fréquemment. Si le dessus de table est gravé ou endommagé, on peut facilement remédier aux dommages causés au scellant. Si vous optez pour sceller votre dessus de table, utilisez seulement le scellant appliqué en usine.

Les formules chimiques peuvent varier d'un scellant à l'autre et être incompatibles avec le scellant d'origine utilisé pour votre dessus de table. Le fait d'utiliser un scellant autre que celui de l'usine pourrait donner des résultats non souhaités et annulera toute garantie applicable. Avant de sceller de nouveau votre dessus de table ou pour obtenir le scellant de l'usine, veuillez visiter le site Web www.agio-usa.com/claycare ou www.agio-usa.com/porcelaincare ou contacter le Centre de service à la clientèle aux États-Unis et au Canada en composant le 1 888-383-1932.

Nettoyage

La argile / porcelaine n'exige à peu près pas d'entretien. Il suffit de nettoyer la table avec du savon doux et de l'eau pour prévenir la formation de moisissures et de champignons. Passer sur la table un chiffon blanc, doux et propre ou bien une éponge. Ne jamais utiliser de crème à récurer, de nettoyeur corrosif, d'acide ou de produit à base de pétrole. Rincer avec beaucoup d'eau propre pour enlever les traces de savon. Sécher complètement après le nettoyage pour prévenir la formation de résidus provenant de minéraux éventuels contenus dans l'eau, même s'il s'agit d'une eau purifiée.

Déversements

Même si le dessus de la table de argile / porcelaine est scellé, les déversements accidentels devraient être nettoyés immédiatement. Les essuyer avec un linge blanc doux et propre, puis sécher complètement. Le scellant spécial de l'usine forme une couche protectrice qui minimisera les dommages éventuels causés à la table, car on dispose de plus de temps pour nettoyer les déversements.

Recommandations

Au moment des repas, utiliser des dessous de verre et des napperons afin de protéger le scellant. Les dessous de verre aideront à absorber la buée provenant des boissons et à empêcher que des récipients chauds (comme les tasses) laissent des traces sur la table. Les napperons protégeront contre les déversements et empêcheront que les plats rayent le scellant si on les glisse dessus.

Use salvamanteles o almohadillas para recipientes calientes entre los platos y la superficie de la mesa para minimizar la transferencia rápida de calor. La superficie de la mesa puede extraer rápido el calor de un plato caliente y quebrar potencialmente el plato. Cubra el set de comedor con una funda para muebles de exteriores cuando no lo use.

Pour supplémentaire et plus d'information détaillée sur le soin de table d'argile / porcelaine, le scellant la table ou la réparation de dommages, visiter notre site Web : www.agio-usa.com/claycare ou www.agio-usa.com/porcelaincare ou téléphoner à notre service à la clientèle à les États-Unis et Canada au 1-888-383-1932.

CUIDADADO Y MANTENIMIENTO

ARMAZONES

Limpieza - Use un jabón suave y agua tibia. No utilice materiales abrasivos, limpiadores o productos con blanqueador. Enjuague con agua limpia y seque por completo.

Mantenimiento - Limpie periódicamente y seque bien. Asegúrese de vaciar el agua acumulada dentro del armazón. Para vaciar los armazones, retire las tapas de las patas e incline los armazones, si es necesario, para sacar toda el agua. Esto es importante. Si se permite que se acumule el agua dentro de los armazones y luego se exponen a temperaturas de congelación, puede ocasionar un daño a la tubería del armazón. Tal daño no lo cubre la garantía. Siempre limpie, vacíe y seque bien antes de almacenar durante el invierno. Para mejores resultados, siempre guarde o cubra el mueble cuando no lo use.

** cuando limpie o mueva artículos grandes y pesados, siempre deben hacerlo entre dos personas. Nunca arrastre el mueble.

ADVERTENCIAS ESPECIALES

ESTE ARTÍCULO ESTÁ DISEÑADO SOLAMENTE PARA USO DOMÉSTICO EN EXTERIORES, NO PARA USO COMERCIAL.

Nuestros productos vienen con garantías que no se pueden excluir bajo las Leyes del Consumidor de Australia. Usted tiene derecho a un cambio o devolución por una falla mayor y a compensación por cualquier otra pérdida o daño razonablemente previsible. También tiene derecho a la reparación o reemplazo de los bienes, si éstos no cumplen con una calidad aceptable y la falla no constituye una falla mayor.

**9 PIEZAS JUEGO DE COMEDOR
ALTO Y TEJIDO CON FOGÓN
ITM. / ART. 1900600**

INSTRUCCIONES DE ENSAMBLE DE MUEBLES PARA PATIO IMPORTANTE

CONSERVE PARA FUTURAS REFERENCIAS: LEA CON ATENCIÓN

¿PARTES DAÑADAS O FALTANTES?

Favor de llamar a nuestro servicio al cliente

E.U.A. y Canadá :1-888-383-1932

o enviar un correo electrónico a customerservice@agio-usa.com.

**HORARIO DE SERVICIO AL CLIENTE DE 9:00 a.m. – 5:00 p.m.
(HORA DEL ESTE) LUNES - VIERNES
(TELÉFONOS Y SERVICIOS NO VÁLIDOS EN ESPAÑA)**

Regiones internacionales:

Por favor vista <http://www.agio-usa.com/service-center/costco-international/>
o envíe un correo electrónico a customerservice@agio-usa.com

**PARA AGILIZAR CUALQUIER RECLAMO FUTURO DE LA GARANTÍA Y
PARA RECIBIR INFORMACIÓN ACTUALIZADA DE NUESTROS PRODUCTOS,
ASEGÚRESE DE REGISTRAR SU COMPRA EN NUESTRA PÁGINA WEB EN:**

www.agio-usa.com

**PARA SOPORTE ADICIONAL EN VIDEO SOBRE EL ENSAMBLE, SOLUCIÓN
DE PROBLEMAS, CUIDADO Y MANTENIMIENTO DEL MUEBLE AGIO PARA
EXTERIORES, VISITE NUESTRA PÁGINA WEB EN:**

www.agio-usa.com/support

Agio International Corporation
1250 Oakmead Parkway
Suite 210 Sunnyvale,
Ca 94085-4037 USA

AFE01411
ARE01800

HECHO EN CHINA

INFORMACIÓN IMPORTANTE ACERCA DE LOS AZULEJOS DE CERÁMICA (ARCILLA) Y DE PORCELANA

Superficies de Mesa de Cerámica (arcilla) y Porcelana

Acerca de los azulejos de cerámica (arcilla) y de porcelana

Los azulejos o losetas de cerámica (arcilla) y de porcelana son materiales que están comprimidos y calentados a altas temperaturas.

Aunque la cerámica (arcilla) y la porcelana son resistentes a las manchas, la lechada es porosa y podría mancharse. La superficie de la mesa ha sido sellada y protegida con un sellador de alta calidad especialmente formulado para minimizar las manchas.

La superficie de la mesa puede conservar el calor dependiendo de la temperatura del exterior. En condiciones de clima cálido y soleado, se debe tener cuidado al tocar la superficie de la mesa.

Cuidado y mantenimiento

La superficie de la mesa, ya sea de cerámica (arcilla) o de porcelana, está protegida con nuestro sellador de fábrica especialmente formulado que ofrece un alto nivel de protección contra todas las manchas y líquidos ácidos y no debe acabarse con el tiempo o con el uso normal en exteriores.

La superficie de la mesa no debería requerir que se aplique con frecuencia el sellador para mantener su durabilidad y el sellado se puede reparar fácilmente si se raya o daña. Sin embargo, si elige sellar la superficie de la mesa, debe usar sólo el sellador que se le aplicó a la superficie de cerámica (arcilla) o porcelana durante su producción en fábrica.

Las fórmulas químicas de los productos selladores varían y pueden ser incompatibles con el sellador que se utilizó originalmente en la superficie de la mesa. Utilizar un sellador diferente a nuestro sellador de fábrica puede producir resultados indeseables y anulará cualquier garantía aplicable. Antes de volver a sellar la superficie de la mesa o de obtener nuestro sellador de fábrica, favor visite nuestra página web en www.agio-usa.com/claycare o www.agio-usa.com/porcelaincare o llame a nuestro Centro de Servicio al Cliente en los E.U.A y Canadá al 1888-383-1932.

(TELÉFONO Y SERVICIOS NO VÁLIDOS EN MÉXICO)

Limpieza

La cerámica (arcilla) y la porcelana están virtualmente libres de mantenimiento. Sólo mantenga la mesa limpia con jabón suave y agua para evitar la formación de moho. Simplemente use agua limpia y jabón lavatrastos suave. Limpie la superficie de la mesa con un paño blanco suave y limpio o con una esponja. Nunca use cremas para tallar, limpiadores abrasivos, ácidos o productos a base de petróleo. Enjuague con abundante agua para retirar los residuos de jabón. Seque bien después de limpiar para evitar la formación de residuos de minerales que puedan estar presentes en el agua, incluso en el agua blanda.

Derrames

Los derrames accidentales deben limpiarse de inmediato aunque la superficie de la mesa, tanto de cerámica (arcilla) o porcelana estén selladas. Limpie los derrames con un paño blanco limpio y suave. Enjuague con agua limpia y tibia y seque bien. El sellador especial de fábrica forma una barrera protectora que minimizará el daño potencial de la superficie de la mesa permitiendo así mantenerse limpia durante más tiempo en caso de derrames accidentales.

Recomendaciones

Para ayudar a proteger el sellador, use portavasos y manteles individuales cuando coma. Los portavasos ayudarán a absorber la humedad de los recipientes con bebidas y a prevenir las marcas que los recipientes calientes tales como tarros pueden dejar. Los manteles individuales captarán derrames e impedirán que los platos rayen el sellador si se arrastran por la superficie de la mesa.

Use salvamanteles o almohadillas para recipientes calientes entre los platos y la superficie de la mesa para minimizar la transferencia rápida de calor. La superficie de la mesa puede extraer rápido el calor de un plato caliente y quebrar potencialmente el plato. Cubra el juego de comedor con una funda para muebles de exteriores cuando no lo use.

Importado por: Importadora Primex S.A. de C.V. Blvd., Magnocentro No. 4,
San Fernando La Herradura, Huixquilucan, Estado de México, C.P. 52765,
RFC: IPR-930907-S70, Tel: 52 46 55 00, www.costco.com.mx

Para obtener información adicional y más detallada acerca de los cuidados para las superficies de mesa de cerámica (arcilla) y de porcelana, sellando la superficie de mesa, o la reparación de daños, por favor visite nuestro sitio web en www.agio-usa.com/claycare o www.agio-usa.com/porcelaincare o llame a nuestro Centro de Servicio al Cliente en los Estados Unidos y Canadá al teléfono 1-888-383-1932. (TELÉFONO Y SERVICIOS NO VÁLIDOS EN MÉXICO)

* NOTE: PARTS SHOWN ON PARTS LIST ARE NOT TO SCALE.



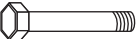







* NOTE : LES PIÈCES ILLUSTRÉES NE SONT PAS À L'ÉCHELLE.

*NOTA: LAS PIEZAS MOSTRADAS EN LA LISTA DE PARTES NO ESTÁN A ESCALA.



The parts shown on parts list are for one single chair.

Les parties qui sont affichées sur la liste des pièces sont pour une seule chaise.

Las piezas que se muestran en la lista de piezas son para una sola silla.

	PARTS LIST LISTA DE PARTES LISTE DES PIÈCES	QTY QTÉ CANT	ORDER PART # # PARTE PARA ORDENAR COMMANDER LA PIÈCE N°	DESCRIPTION DESCRIPTION DESCRIPCIÓN
A		1	AB1329	CHAIR FRAME CADRE DE LA CHAISE ESTRUCTURA DE LA SILLA
B		1	AB1330	SWIVEL BASE BASE PIVOTANTE BASE GIRATORIA
C		4	HW0450	(43 MM) SCREW (43 MM) VIS (43 MM) TORNILLO
D		4	HW0015	NUT ÉCROU TUERCA
E		4	HW0003	SPRING WASHER RONDELLE À RESSORT ARANDELA DE RESORTE DE
F		4	HW0005	WASHER RONDELLE RONDANA
G		2	HW0801	"U" METAL PLATE PLAQUE DE MÉTAL PLACA DE METAL
H		1	HW0008	ALLEN WRENCH-1 CLÉ HEXAGONALE-1 LLAVE ALLEN-1
I		1	HW0007	ALLEN WRENCH-2 CLÉ HEXAGONALE-2 LLAVE ALLEN-2
J		1	ZZE01912	FURNITURE COVER HOUSSE DE PROTECTION CUBIERTA DEL MOBILIARIO

FACTORY ASSEMBLY (ASSEMBLÉ EN USINE ENSEMBLADA DE FÁBRICA)

K		1	G0363	FOOTREST COVER COUVERTURE DE REPOSE PIEDS CUBIERTA DE LOS REPOSAPIÉS
L		4	FC0610	FOOT CAP CAPUCHON DE PIED TAPA DE LA PATA

*The furniture cover (J) is designed to protect your investment from the elements and will repel water. Please note the cover is not 100% waterproof and moisture may seep in if allowed to collect.

*La housse de protection (J) est conçue pour protéger le mobilier et repoussera l'eau. Il faut toutefois noter qu'elle n'est pas entièrement imperméable et que de l'humidité pourrait suinter si on laisse l'eau s'accumuler.

*La cubierta de los muebles (J) está diseñada para proteger su inversión de la intemperie y repelerá el agua. Observe que la cubierta no es 100% a prueba de agua y la humedad se puede filtrar si se deja acumular

MAKE SURE YOU HAVE ALL THE PARTS & HARDWARE AS IDENTIFIED ON THE PARTS LIST
VÉRIFIER QUE TOUTES LES PIÈCES ET LA QUINCAILLERIE SONT BIEN TELLES QU'IDENTIFIÉES SUR LA LISTE DES PIÈCES

LEA ATENTAMENTE ESTE MANUALANTES DE USAR O ENSAMBLAR EL PRODUCTO ASEGÚRESE DE TENER TODAS LAS PARTES YACCESORIOS COMO SE IDENTIFICAN EN LA LISTA DE PARTES

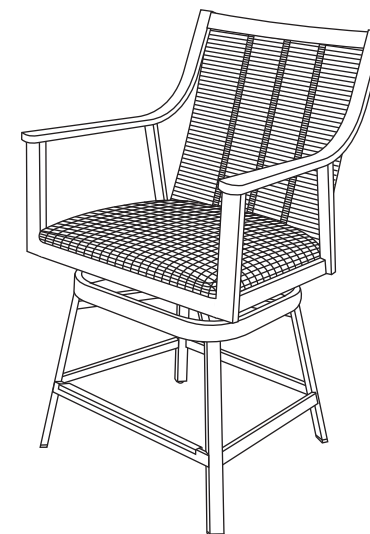
9 PIECE WOVEN HIGH DINING FIRE SET PIÈCES ENSEMBLE EN OSIER DE RÉSINE TRESSÉ AVEC BRASERO PIEZAS JUEGO DE COMEDOR ALTO Y TEJIDO CON FOGÓN

ITM. / ART. 1900600

**IMPORTANT RETAIN FOR FUTURE REFERENCE:
READ CAREFULLY BEFORE ASSEMBLY**

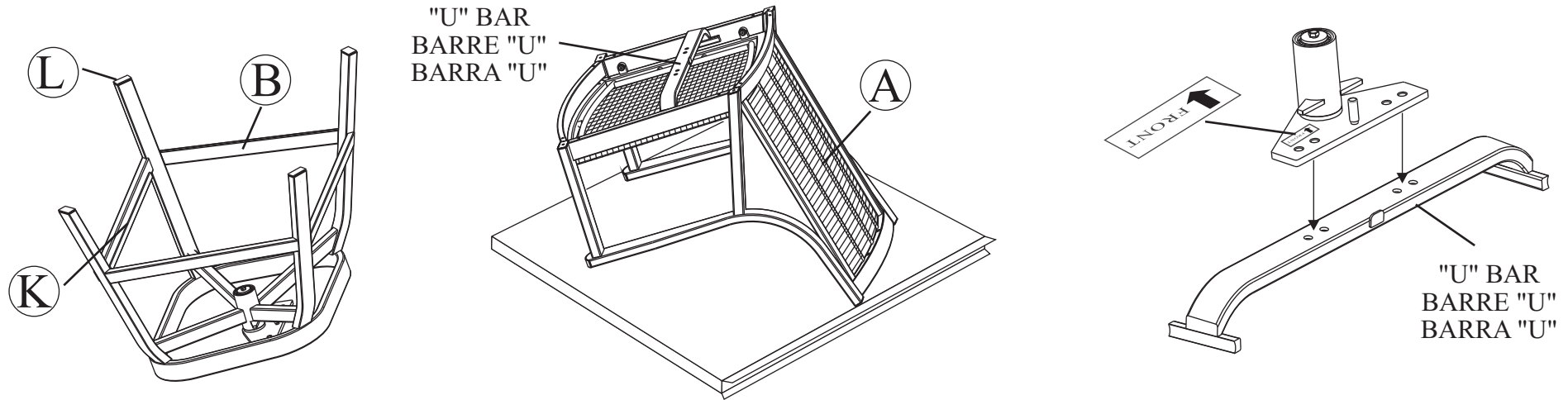
**IMPORTANT : À LIRE ATTENTIVEMENT
AVANT LE MONTAGE ET À CONSERVER**

**CONSERVE PARA FUTURAS REFERENCIAS:
LEA CON ATENCIÓN ANTES DE
REALIZAR EL ENSAMBLE**



1

- ⚠ Do not attempt to assemble chair if any parts are missing or damaged.
- ⚠ N'essayez pas de rassembler la chaise s'il en est tels les parties manquent ou endommagées.
- ⚠ No intente montar la silla, si faltan piezas o dañados.

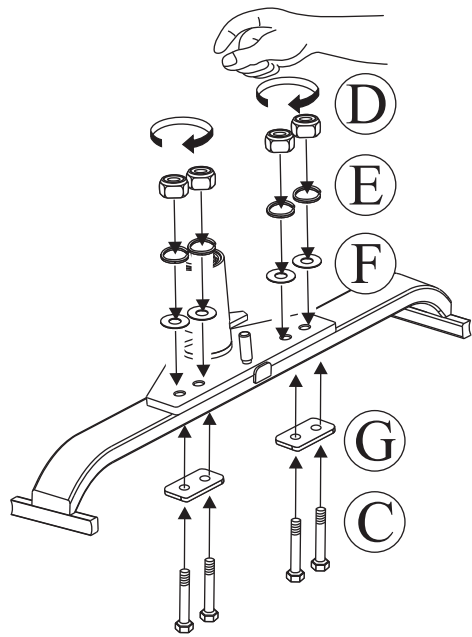


CAUTION: Failure to place metal plates (G) and above the "U" bar exactly as shown in the diagram will cause the bolt heads and nuts to damage the structure of the "U" bar. Damage due to over tightening of bolts or improper assembly could cause injury and may void your warranty.

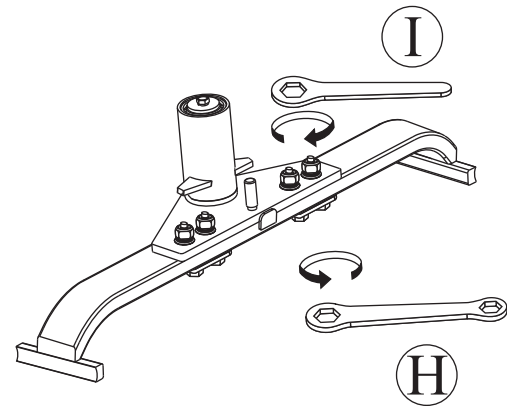
PRUDENCE : l'échec de placer des plaques en métal (G) et au-dessus de la barre "U" exactement comme montré dans le diagramme fera causer les têtes de boulon et les écrous à endommager la structure de la barre "U". Endommagement en raison de sur le serrage de verrous ou l'assemblage impropre pourrait provoquer la blessure et peut le vide votre garantie.

PRECAUCIÓN: Si no se coloque en placa metálica (G) y por encima de la barra "U" tal y como se muestra en el diagrama hará que las cabezas de los pernos y las tuercas a los daños la estructura de la barra "U". Daños debido a la sobre detención de los bulones o montaje incorrecto podría causar lesiones y puede anular la garantía.

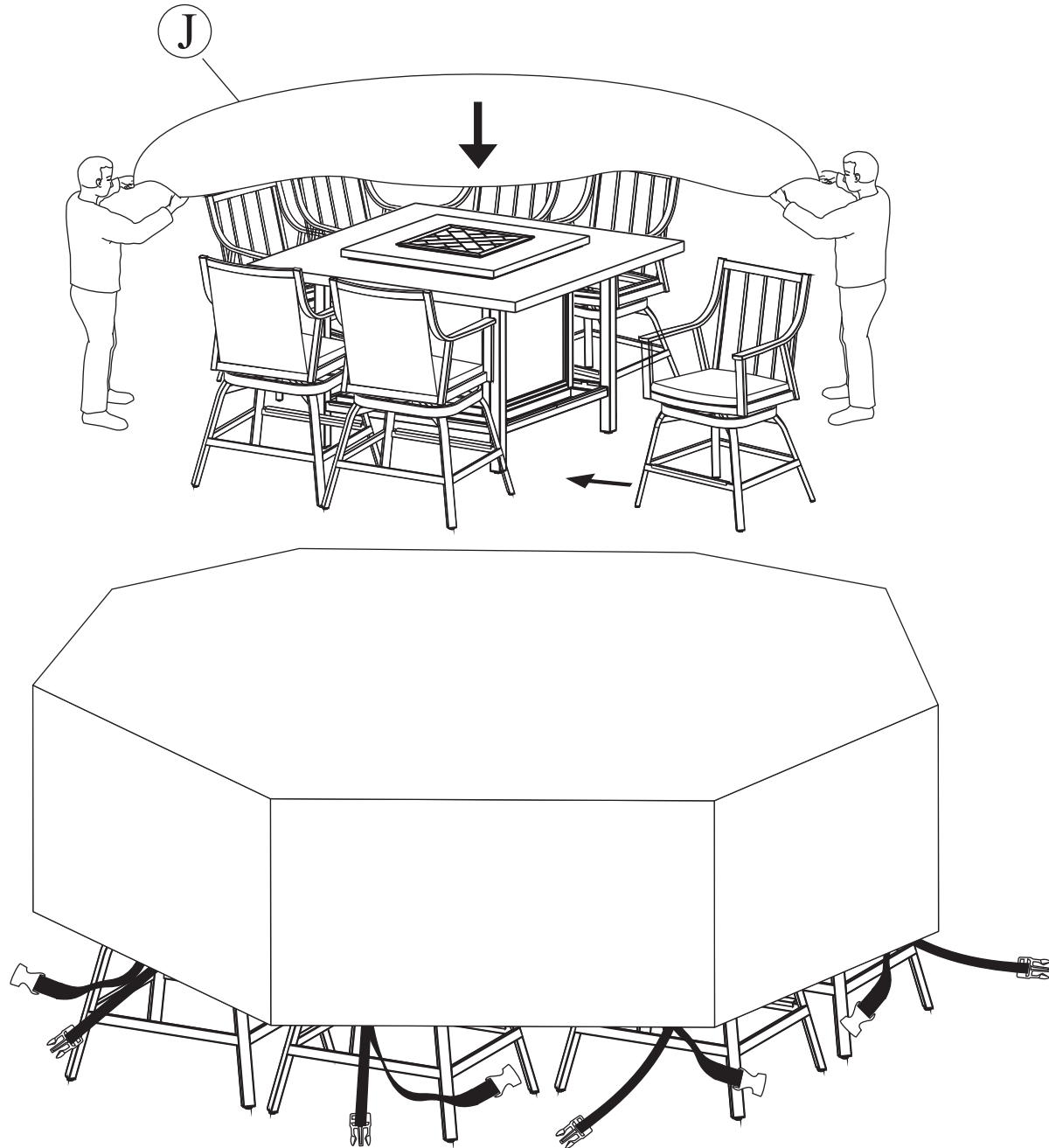
2



3



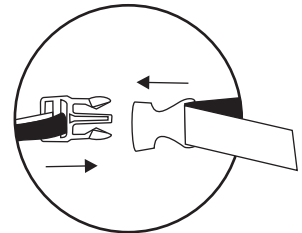
4



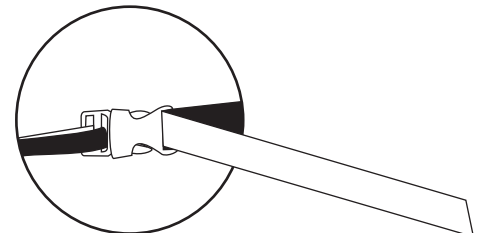
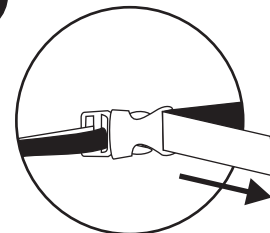
A



B



C



Distributed by:
Costco Wholesale Corporation
P.O. Box 34535
Seattle, WA 98124-1535
USA
1-800-774-2678
www.costco.com

Imported by / Importé par :
Costco Wholesale Canada Ltd.*
415 W. Hunt Club Road
Ottawa, Ontario
K2E 1C5, Canada
1-800-463-3783
www.costco.ca
* faisant affaire au Québec sous
le nom les Entrepôts Costco

Importado por:
Importadora Primex S.A. de C.V.
Blvd. Magnocentro No. 4
San Fernando La Herradura
Huixquilucan, Estado de México
C.P. 52765
RFC: IPR-930907-S70
(55)-5246-5500
www.costco.com.mx

Imported by:
Costco Wholesale Australia Pty Ltd
17-21 Parramatta Road
Lidcombe NSW 2141
Australia
www.costco.com.au

Imported by:
Costco Wholesale UK Ltd /
Costco Online UK Ltd
Hartspring Lane
Watford, Herts
WD25 8JS
United Kingdom
01923 213113
www.costco.co.uk

Importado por:
Costco Wholesale Spain S.L.U.
Polígono Empresarial Los Gavilanes
C/ Agustín de Betancourt, 17
28906 Getafe (Madrid) España
NIF: B86509460
900 111 155
www.costco.es

Distributed by:
Costco Wholesale Iceland ehf.
Kauptún 3-7, 210 Gardabaer
Iceland
www.costco.is

Distribué par :
Costco France
1 avenue de Bréhat
91140 Villebon-sur-Yvette
France
01 80 45 01 10
www.costco.fr

Imported by:
Costco Wholesale Japan Ltd.
3-1-4 Ikegami-Shincho
Kawasaki-ku, Kawasaki-shi,
Kanagawa 210-0832 Japan
044-281-2600
www.costco.co.jp

Imported and Distributed by:
Costco Wholesale Korea, Ltd.
40, Iljik-ro
Gwangmyeong-si
Gyeonggi-do, 14347, Korea
1899-9900
www.costco.co.kr

Imported by / Manufactured for:
Costco President Taiwan, Inc.
No. 656 Chung-Hwa 5th Road
Kaohsiung, Taiwan
Company Tax ID: 96972798
449-9909 or 02-449-9909 (if cellphone)
www.costco.com.tw

Imported by / Distributed by:
Shanghai Minhang Costco Trading Co., Ltd
Unit 109, No 388, Lian You Road
Minhang District, Shanghai
China 201107
+86-21-6257-7065