

SUNCAST®

BMS6286T Storage Shed

ASSEMBLY INSTRUCTIONS

BMS6286T Remises de Jardin

INSTRUCTIONS D'ASSEMBLAGE

BMS6286T Caseta de Almacenamiento

INSTRUCCIONES DE MONTAJE

MADE IN

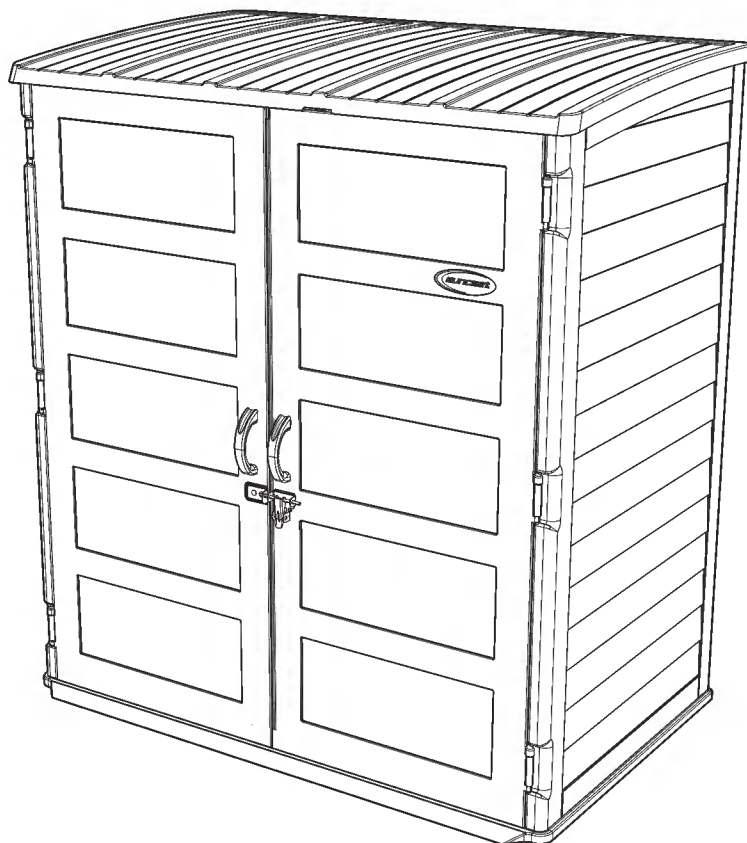
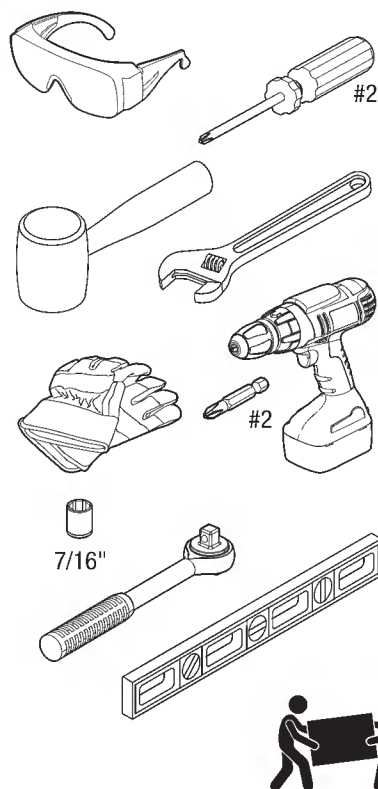


U. S. A.

Tools Required

Outil Requis

Herramientas Necesarias



*COLOR/STYLE MAY VARY BY MODEL NUMBER.
* LA COULEUR ET LE STYLE PEUVENT VARIER SELON LE NUMÉRO DE MODÈLE.
*EL COLOR/ESTILO PUEDE VARIAR SEGÚN EL NÚMERO DE MODELO.



Scan QR Code for product assembly video.

Balayez le code QR pour la vidéo d'assemblage du produit.

Escanee el código QR para ver el video de montaje del producto.

English	4
Français	20
Español	36

Register within 90 days of purchase to activate Warranty!

Registration is not required for products with a warranty term of 90 days or less.

1. Verify warranty term of your product by visiting www.suncast.com/warranty
2. Complete registration: fill out the form and upload a copy of your receipt by visiting <https://support.suncast.com> or scanning the QR code



Enregistrez le produit dans les 90 jours suivant l'achat pour activer la garantie!

Les produits assortis d'une garantie de 90 jours ou moins ne nécessitent aucun enregistrement.

1. Vérifiez la durée de la garantie de produit en visitant www.suncast.com/warranty
2. Pour enregistrer un produit: remplissez le formulaire et téléversez une copie de votre reçu de caisse sur le site <https://support.suncast.com> ou scannez le code QR



Regístrese en los 90 días siguientes a la compra para activar la garantía!

No es necesario registrarse para los productos con una garantía de 90 días o menos.

1. Verifique el plazo de garantía de producto visitando www.suncast.com/warranty
2. Para completar el registro: llene el formulario y cargue por internet una copia de su recibo visitando <https://support.suncast.com> o escaneando el código QR



Have Questions?

For product questions, assembly assistance, replacement parts and more:

Des questions?

Pour poser des questions, obtenir de l'aide pour l'assemblage des produits, trouver des pièces de rechange, etc:

¿Alguna pregunta?

Para preguntas sobre productos, asistencia con el armado, piezas de repuesto y mucho más:



<https://support.suncast.com>



Suncast Corporation Customer Care
701 N. Kirk Road, Batavia, IL 60510



1-800-846-2345
1-630-381-6309

Accessories / Accessoires / Accesorios

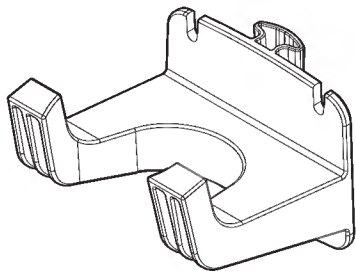
EN: Confirm the model number from the product packaging to determine if accessories are included with your purchase

FR: Vérifiez le numéro de modèle sur l'emballage du produit afin de déterminer si des accessoires sont inclus avec votre achat.

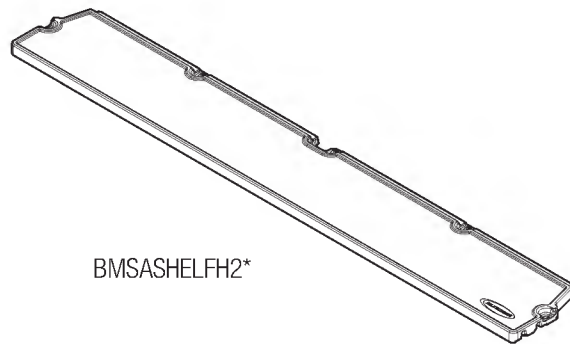
ES: Confirme el número de modelo en el empaque del producto para determinar si se incluyen accesorios con su compra.



BMS6286T

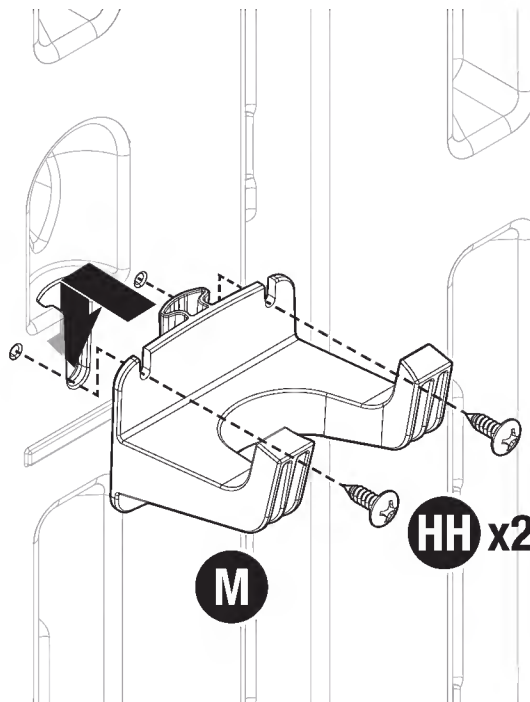


0102907P9
x2



BMSASHELFH2*

EN: Accessory assembly / **FR:** Ensemble d'accessoires / **ES:** Montaje de accesorio



***EN:** BMSASHELFH2 assembly instructions packed separately.

***FR:** Instructions de montage BMSASHELFH2 emballées séparément.

***ES:** BMSASHELFH2 instrucciones de montaje por separado.



Before you Begin...

- **Site preparation and foundation construction are required for this shed and must be completed prior to assembly.** Begin by selecting one of the two approved foundation options outlined in this manual and follow the specifications. The foundation options provided offer the best long-term support for your shed. **Warranty requires foundation.**
- **If you are inexperienced with site preparation or foundation construction,** it is strongly recommended to reach out to your local hardware store or seek the expertise of a professional.
- **Using the parts pages,** carefully open all boxes to verify parts are present. **Return parts to original boxes** until you are ready to begin assembly.
- **Read ALL instructions and caution statements prior to assembly.** This product contains parts that are used in different orientations to construct the shed. Failure to follow instructions could prevent correct assembly or result in damage to parts. Please take note of the icons used within this manual to indicate where special attention is required.



Indicates at least one additional person is needed to complete this step.



Indicates part orientation is critical.



Assembly Day Tips

- Do not attempt to assemble product during inclement weather.
- Set aside an appropriate amount of time to completely assemble shed. An incomplete shed assembly may pose a safety hazard.
- Make sure you have assistance nearby to lift and secure parts in place.
- Do not use a torque wrench or hand drill to tighten easy bolts. Use provided easy driver only.
- Suncoast provides extra hardware for small fasteners for customer convenience. In some cases, there will be extra small fasteners once the assembly is complete.



Care and Maintenance

- At regular intervals, inspect your shed to confirm assembly integrity has been maintained. **Repair or replace broken parts immediately.**
- Periodically check that the location you have chosen to set your shed is still level.
- Keep roof clean of snow and leaves.
- To maintain the look of your product, we recommend cleaning it at regular intervals with mild soap and water. Do not use caustic cleaners, or stiff bristle brushes. Failure to perform cleaning at regular intervals could result in permanent staining of the plastic. This type of damage is not covered under warranty.



Caution

- Power tools can apply excessive torque resulting in damage to the product. If you choose to use a power drill to assemble the product, Suncoast recommends using a variable speed, cordless drill with a variable clutch set at the lowest setting. Suncoast makes no guarantee that following this recommendation will prevent damage to the product. Damage to parts due to over-torque are not covered under Suncoast's limited warranty.
- Do not place near objects that are hot or can become hot.
- Do not place in areas near highly reflective surfaces (Note: Low-E windows are more reflective than standard windows and may affect the longevity of the product).
- Shed not intended for storage of flammable, caustic or corrosive materials.
- Heavy articles should not be leaned against the walls, as this may cause panel distortion and permanent damage.
- Shed not intended for habitation or for use by children.
- Suncoast is not responsible for any damage or property loss caused by weather, misuse, incorrect site preparation, improper foundation, or improper assembly. Visit www.suncoast.com/warranty for a full list of warranty limitations.
- Product is water resistant and not waterproof. Locate unit away from gutter and down spouts for optimal performance.
- This kit contains parts with sharp edges. Please be careful when handling, use of work gloves is recommended.
- When drilling through metal, beware of burrs, shavings and other sharp edges. Safety glasses are strongly recommended.
- When product is not in use, all doors should be closed with latching devices engaged and secured with a padlock.

Site Preparation

Important:

- **Site preparation is critical, and must be completed prior to foundation construction. If the surface is not properly leveled and flat, the shed will not assemble correctly and may cause damage to the product.**
- **Use an appropriately sized level to validate that both the site and foundation are square, flat, and level.**

Site Preparation:

1. When choosing a location for your shed, consider factors like sun exposure, drainage, wet areas, and proximity to other structures.
2. Consult your local authorities for building codes, covenants, or required permits.
3. Before any digging, check with local utilities to determine location of buried cables, pipes, etc.
4. Prepare site by grading and compacting to create a flat, level surface for the foundation.
5. The ground beyond the foundation site should slope away to provide adequate drainage.
6. Choose which type of foundation (concrete slab or wood platform) and follow the specifications provided.

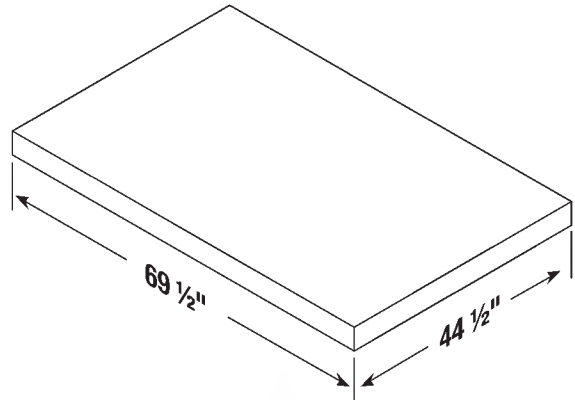
Foundation Construction Specifications

Materials NOT supplied with Shed

Option #1: Concrete Slab

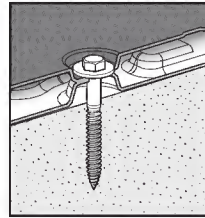
Construction:

- Construct a single concrete slab, at least 4" thick.
- The use of reinforcement bar is strongly recommended if foundation thickness is 5" or greater.
- Check foundation in both directions to make sure it is level before constructing the shed.
- A vapor barrier (optional) may be applied over the foundation to prevent excessive condensation. Follow local building codes.
- The measurements provided are the minimum requirements to safely support this model.



Anchoring (complete AFTER assembly):

- Shed must be secured to concrete slab using 3/8" masonry anchors and 1" washers. 4 masonry anchors and washers are required.
- Additional tools needed: 3/8" masonry drill bit.
- Anchoring hardware not included.

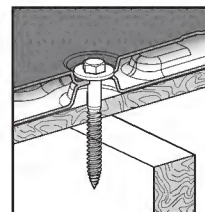
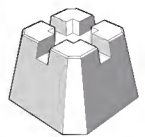
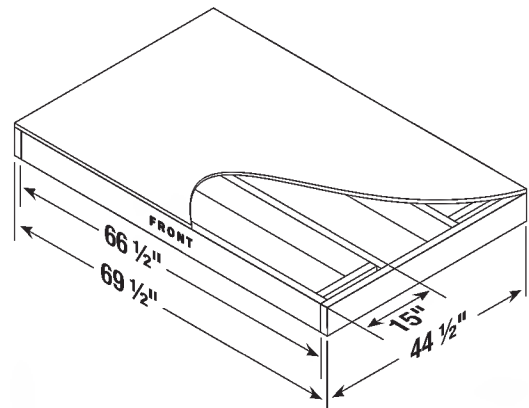


Anchor example

Option #2: Wood Platform

Construction:

- Use pressure treated, exterior grade lumber (2" x 6").
- Set the platform on deck blocks or footings. Note: Additional deck blocks may be required based on the soil quality in your location.
- Check foundation in both directions to make sure it is level before constructing the shed.
- Follow the critical spacing measurements and material list included in this manual. The measurements provided are the minimum requirements to safely support this model. A wood platform larger than specified is acceptable, however the shed must sit centered on the platform dimensions provided.



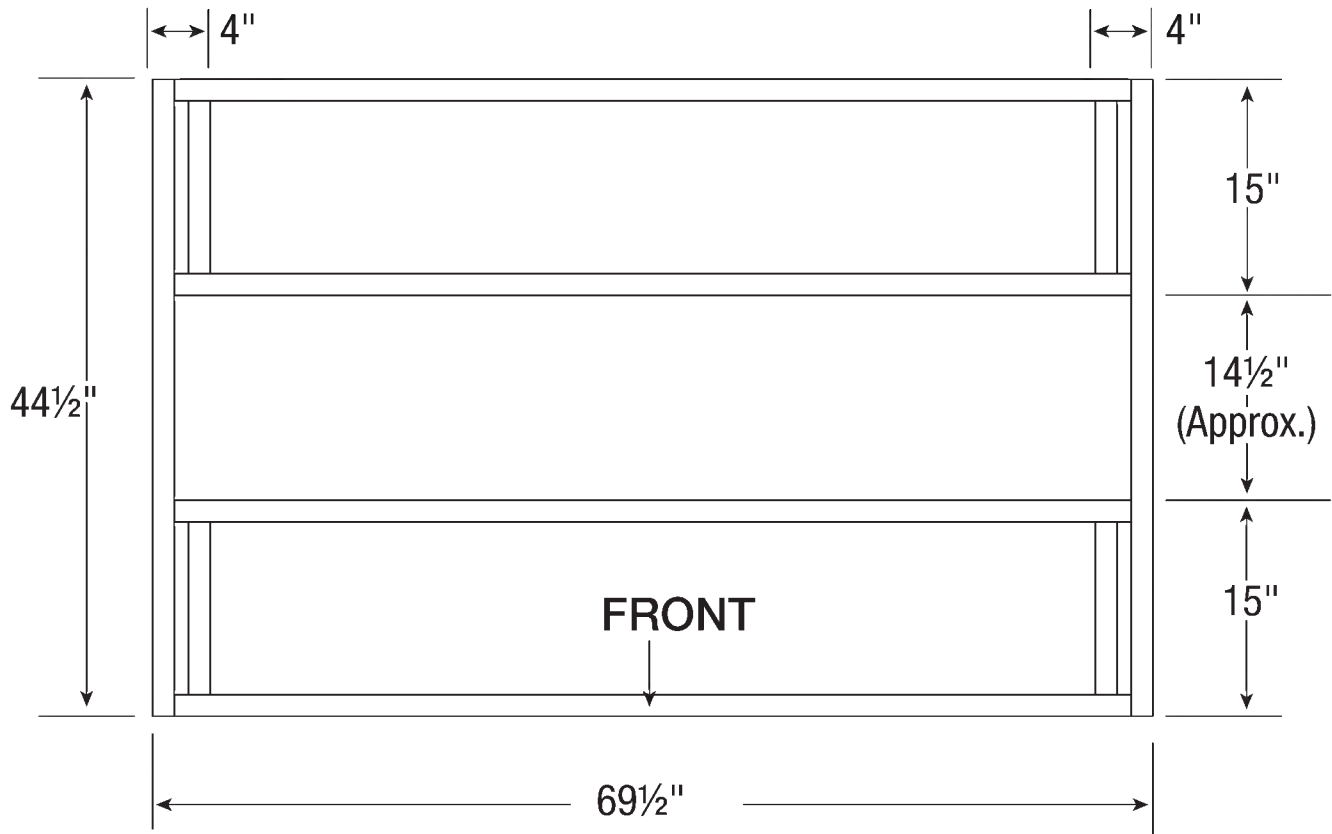
Anchor example

Anchoring (complete AFTER assembly):

- Shed must be secured to wood platform using 1/4" x 3/8" x 3" lag screws and 1" washers. 4 screws and washers are required.
- Be sure shed is orientated correctly so that it lines up with the under structure of the platform.
- Additional tools needed: 7/32" diameter driver bit.
- Anchoring hardware not included

Wood Platform Critical Spacing and Materials List

Materials NOT supplied with Shed

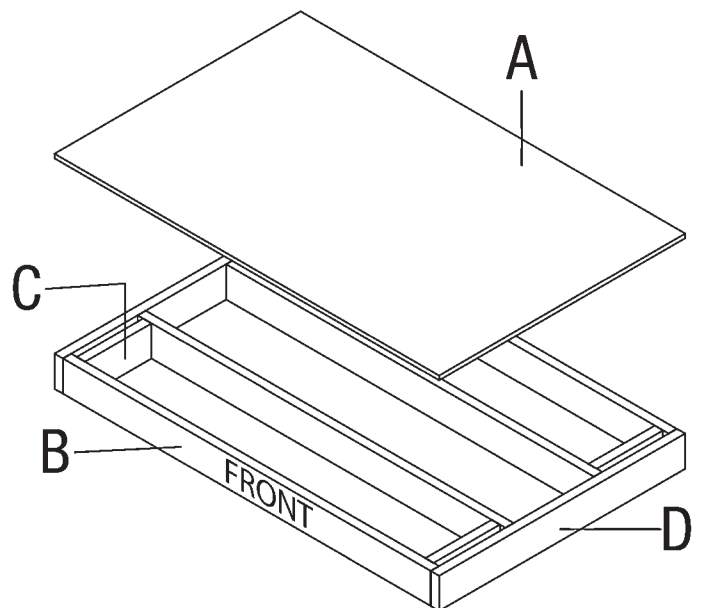


Wood Platform Materials List

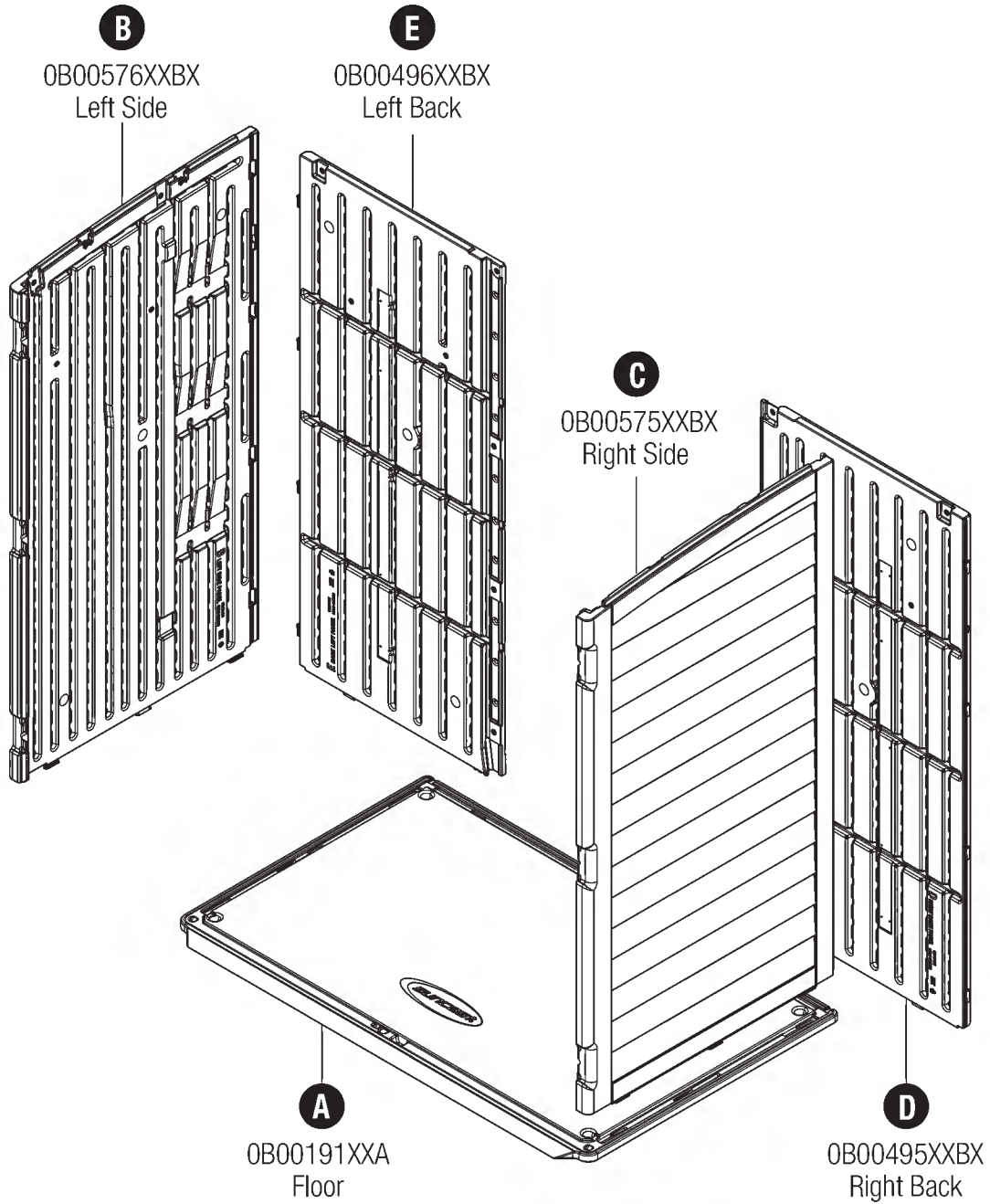
Item	Qty	Size (inches)
a	1	44.5" x 69.5" x .75"
b	4	2" x 6" x 66.5"
c	4	2" x 6" x 12"
d	2	2" x 6" x 44.5"

Check all critical spacing measurements carefully

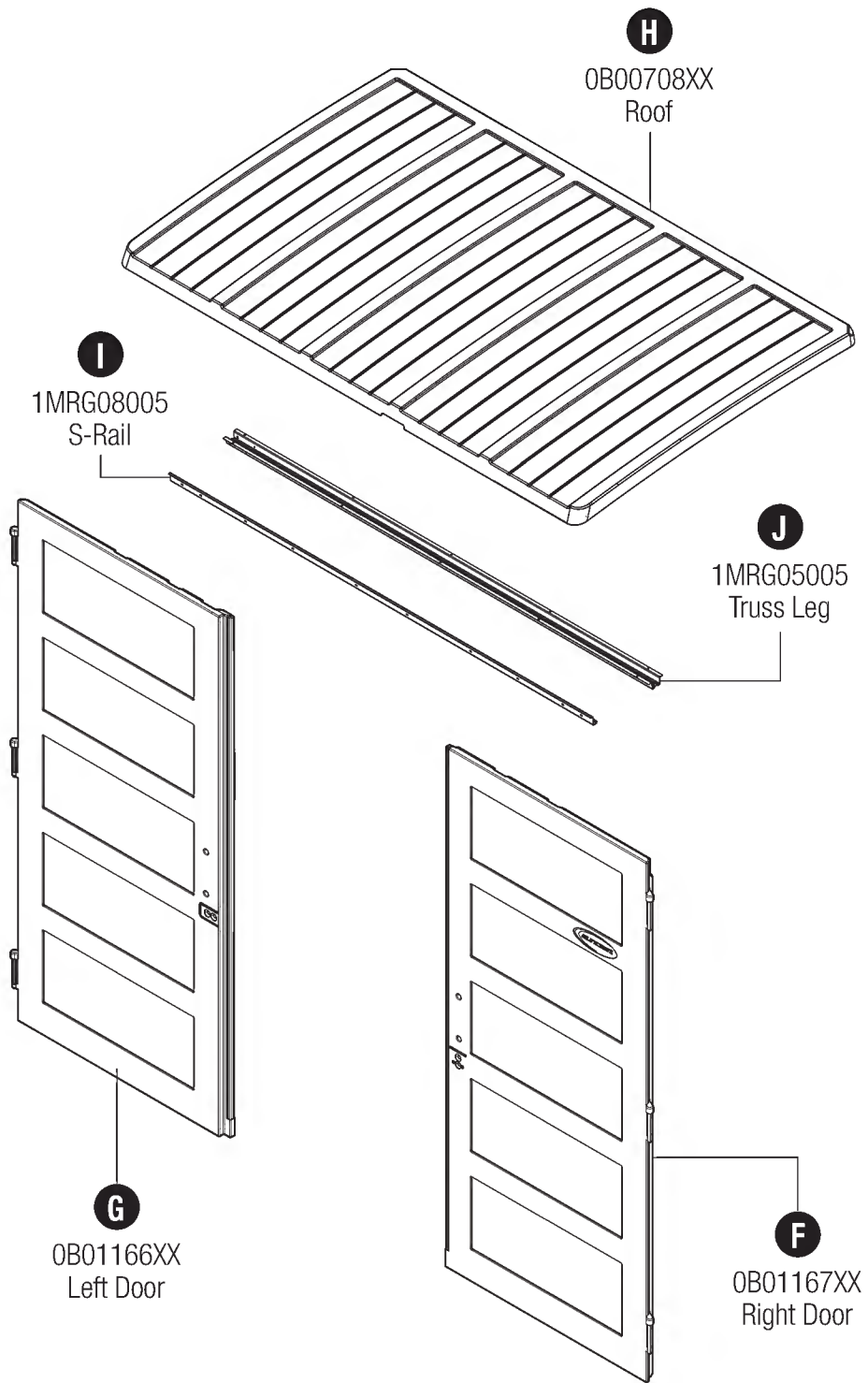
*2" x 6" dimensional lumber is actually 1/2" smaller than noted sizes. Dimensions given presume standard 1 1/2" x 5 1/2" actual size lumber. Lumber dimensions can vary, check dimensions before cutting and make appropriate adjustments if necessary. Cut sizes provided are actual size.



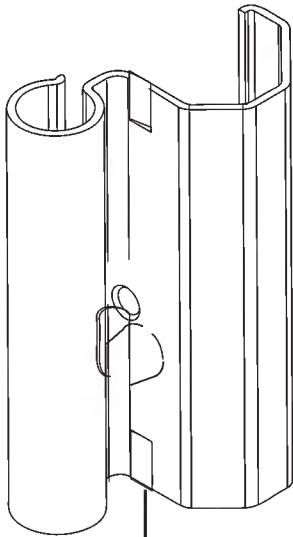
Parts - Walls and Floors



Parts - Doors



Parts - Hardware



AA

OMP000022A
Door Hinge
x6

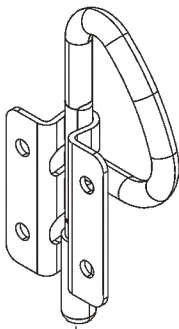
0480452 - Hardware Bag



UU

0210180
Screw
x9

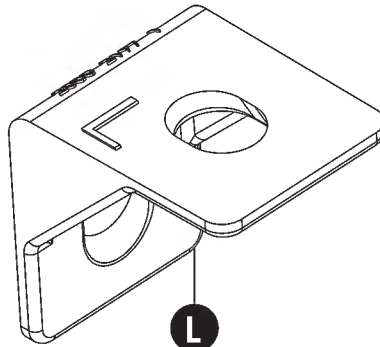
0440631 - Hardware Bag



O

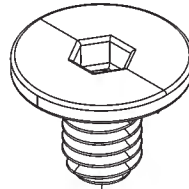
D-Ring Slide Bolt
x2

Hardware Bag



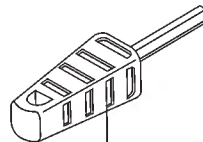
L

0102197XX
Roof Retainer
x7



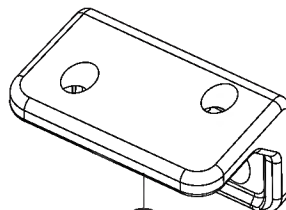
EE

0102563
Easy Bolt
x17



FF

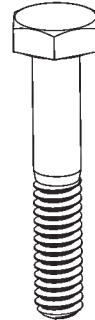
Easy Driver



II

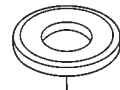
010272110
Roof Bracket
x2

0480616 - Hardware Bag



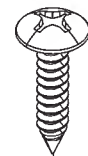
BB

Hex Bolt
x7



CC

Washer
x7



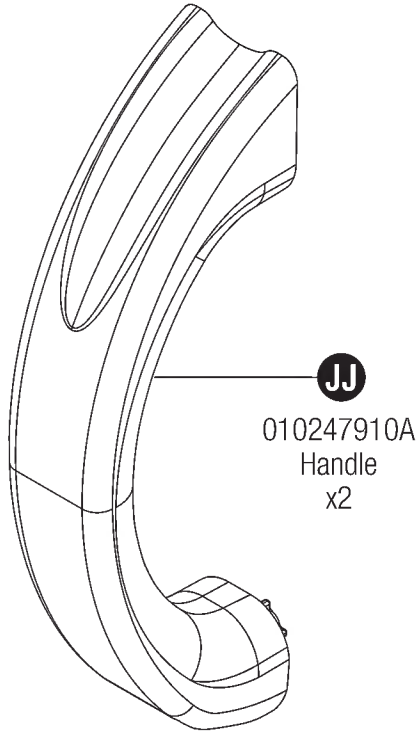
HH

Pan Head Screw
x30

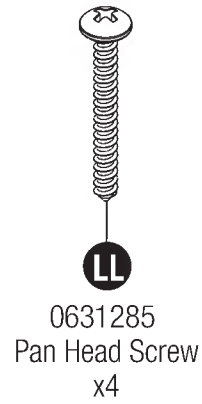
Extra hardware provided. Not all is used.

Parts - Door Kit

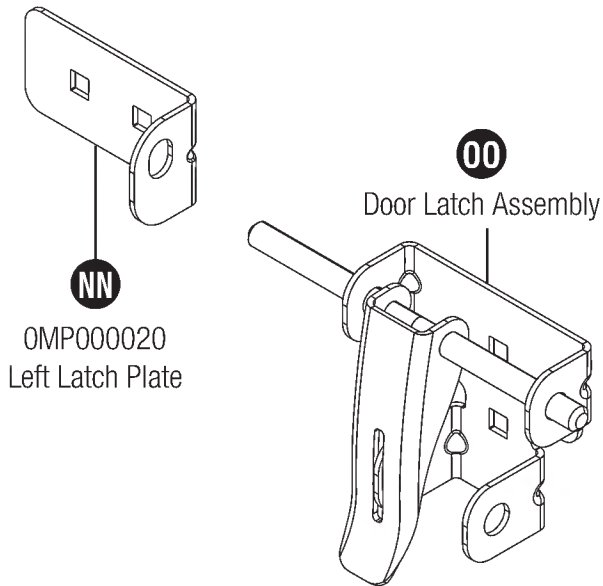
0464523 - Door Handle Kit



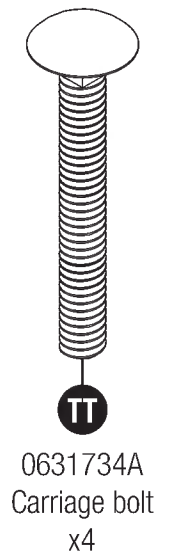
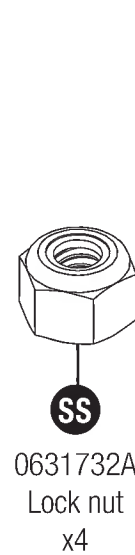
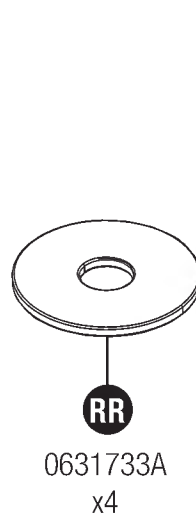
0480370 – Hardware Bag



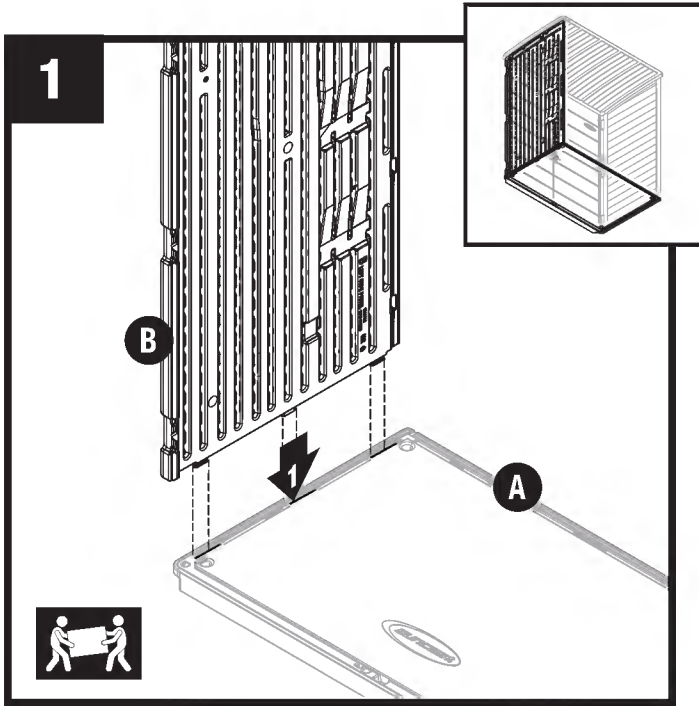
0464504 - Door Latch Kit



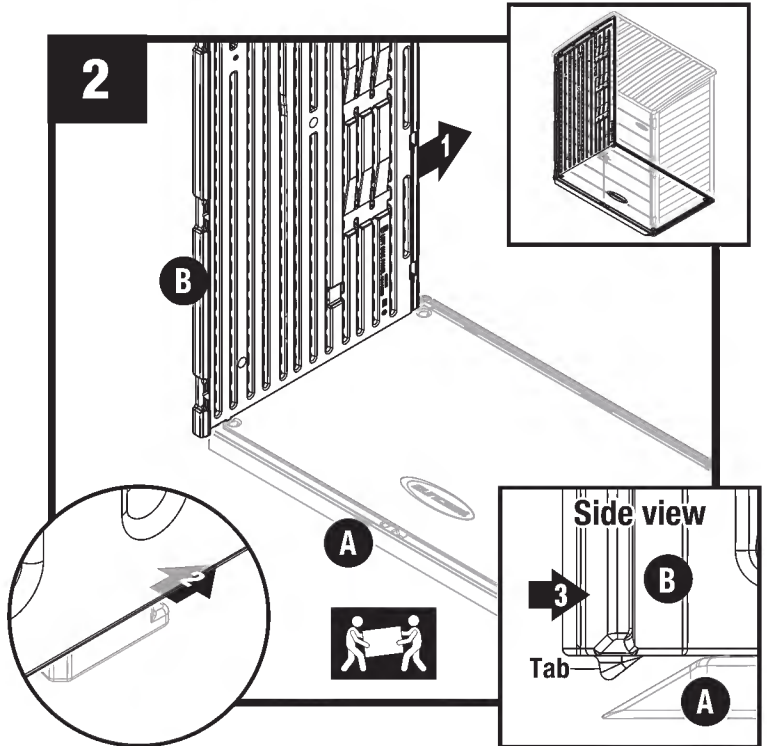
0480439A - Hardware Bag



Assembly/Walls

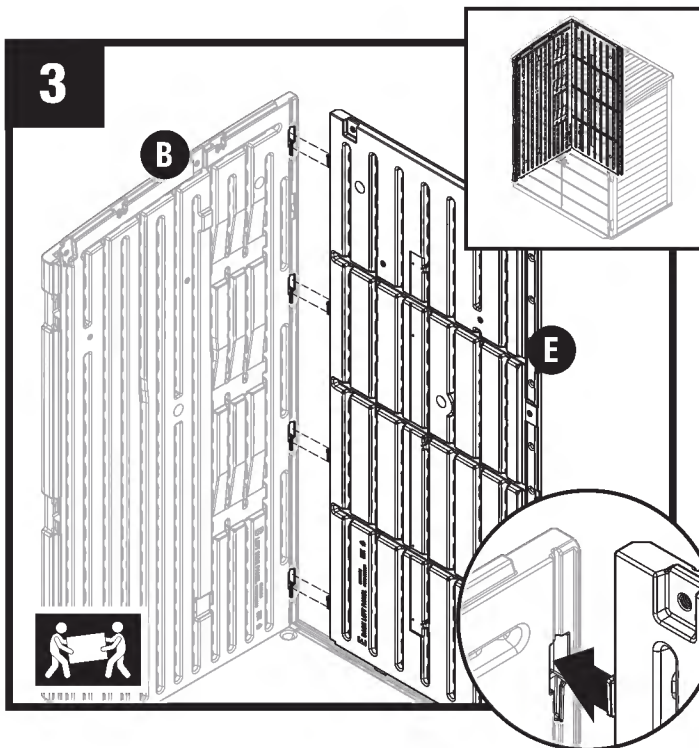


Align tabs on bottom left side panel (B) with slots on floor (A). Lower panel into slots.

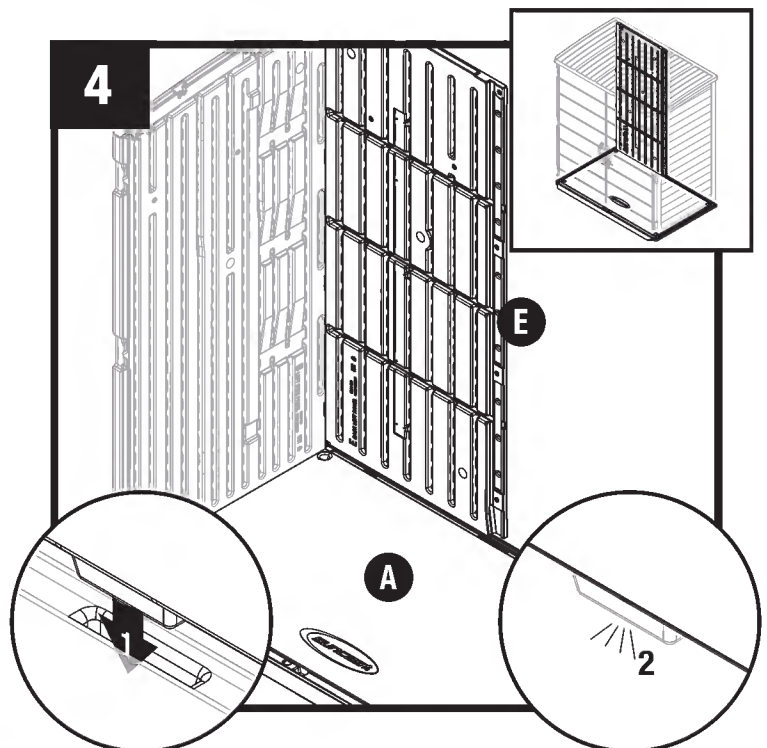


Lock side panel (B) by sliding panel toward rear of floor panel (front corner tab will slide into position).

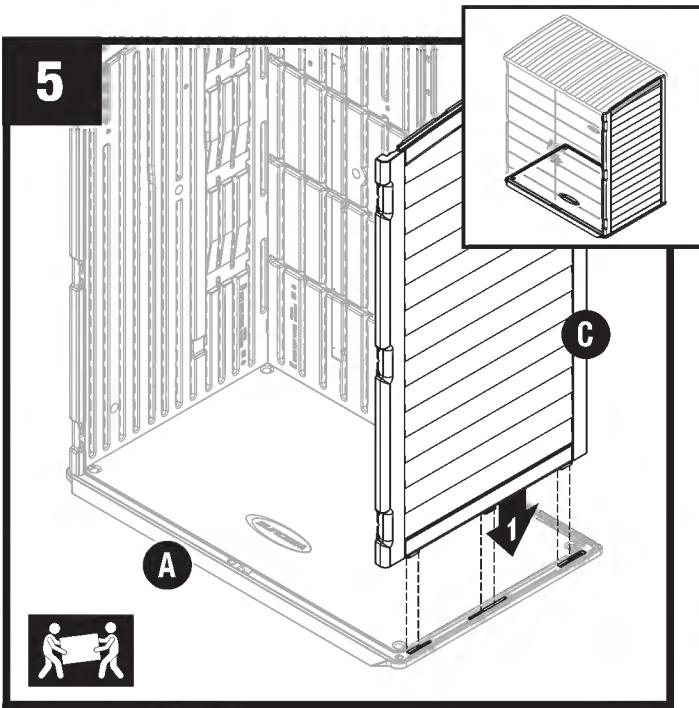
Note: Use a rubber mallet to 'push' left side panel (B) into locked position.



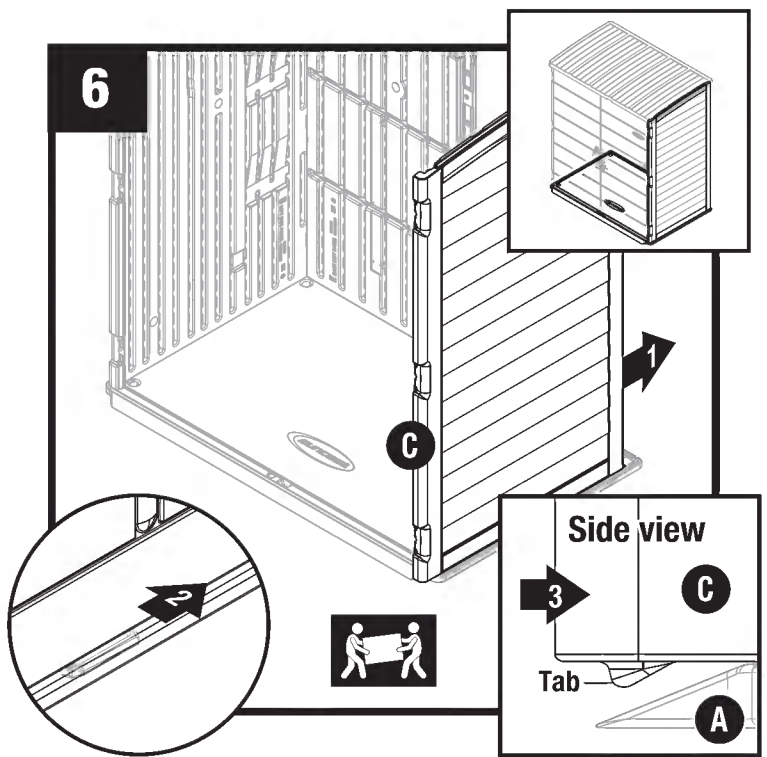
Align tabs on side of left back panel (E) with slots on the left side panel (B). Slide back left panel down to lock tabs into left side panel.



Lower the back left panel (E) tabs into the slots of floor (A). The back left panel tabs will 'snap' into place when in correct position.

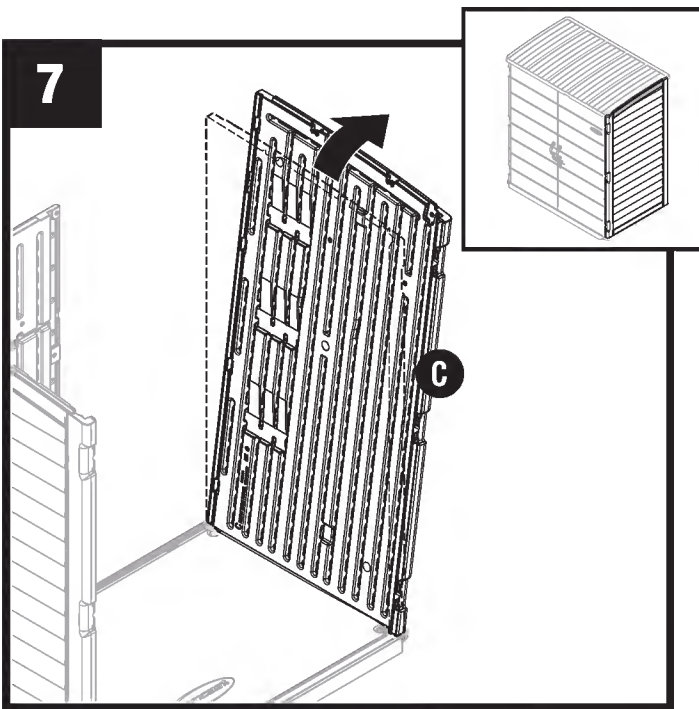


Align tabs on bottom right side panel (C) with slots on floor (A). Lower panel into slots.

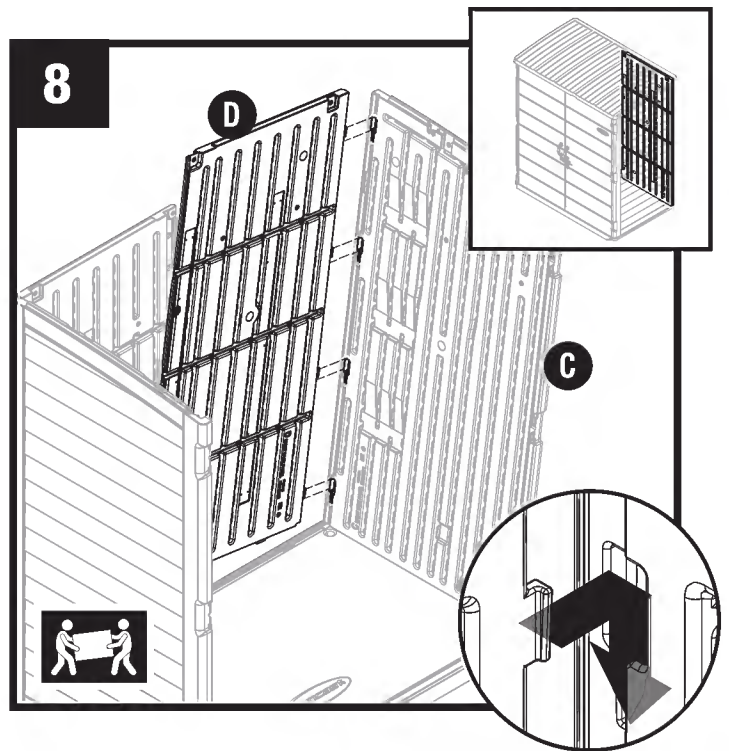


Lock side panel (C) by sliding panel toward rear of floor panel (front corner tab will slide over floor and into position).

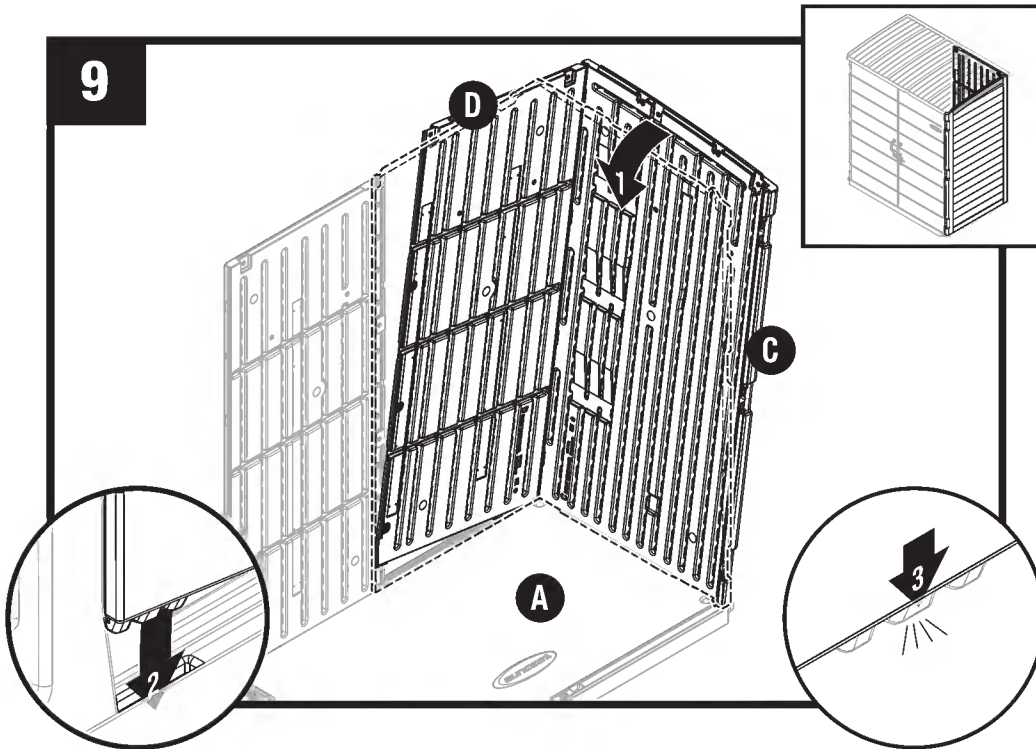
Note: Use a rubber mallet to 'push' right side panel (C) into locked position.



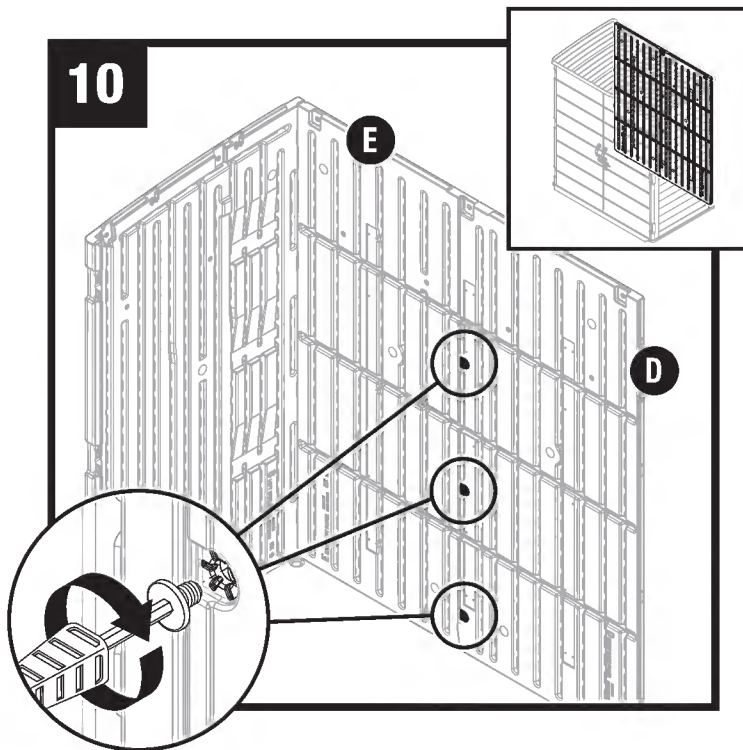
Tilt right panel (C) outward.



At an angle, align tabs on side of right back panel (D) with slots on right side panel (C). Slide back right back panel in and down into right side panel to secure.



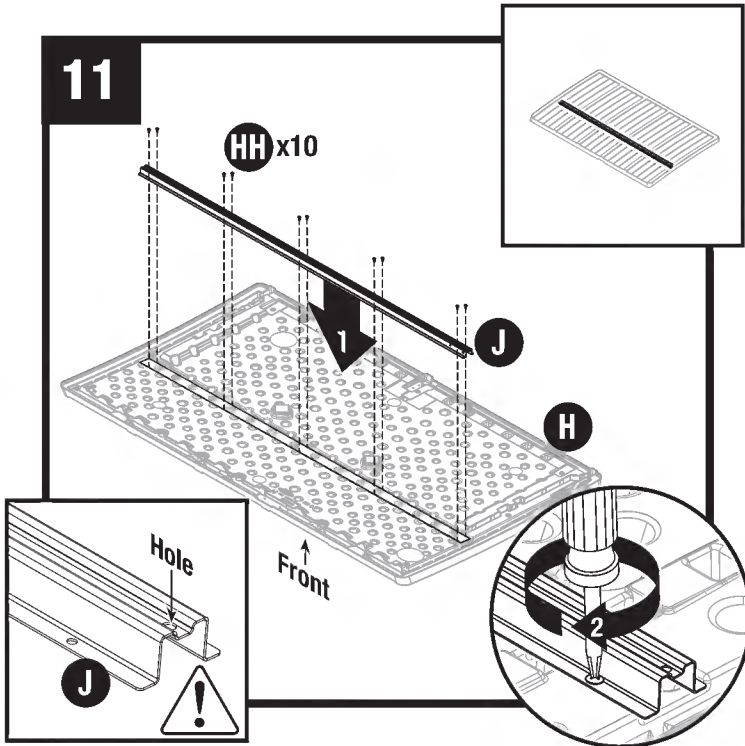
Tilt right back panel (D) and right side panel (C) back into the upright position (lowering the back right panel tabs into the slots of floor (A). The back right panel tabs will 'snap' into place when in correct position.



Secure back panels (E, D) together using three easy bolts (EE) and working from bottom to top. **Do not** overtighten.

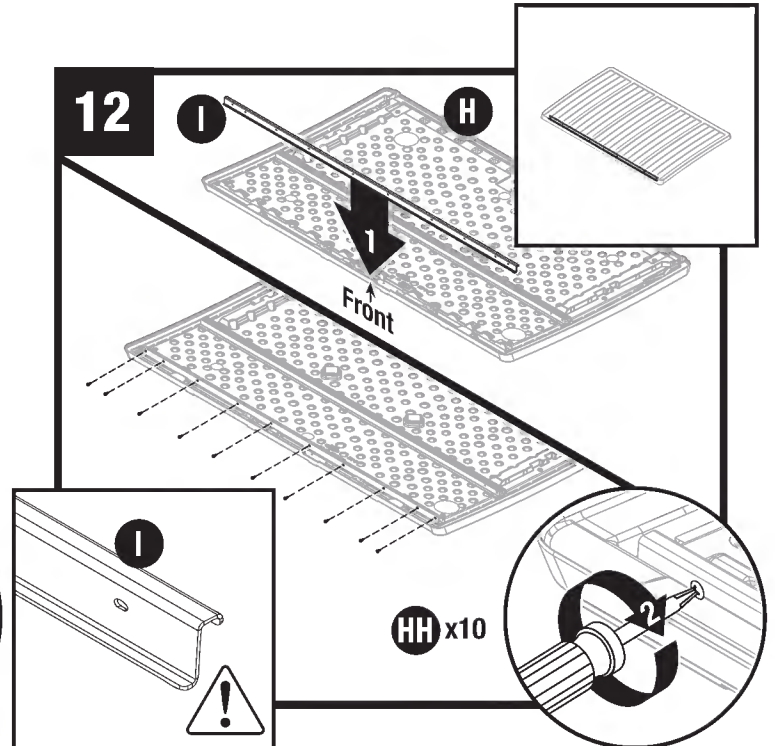
Note: Top easy bolt location will be installed in a later step.

Assembly-Roof



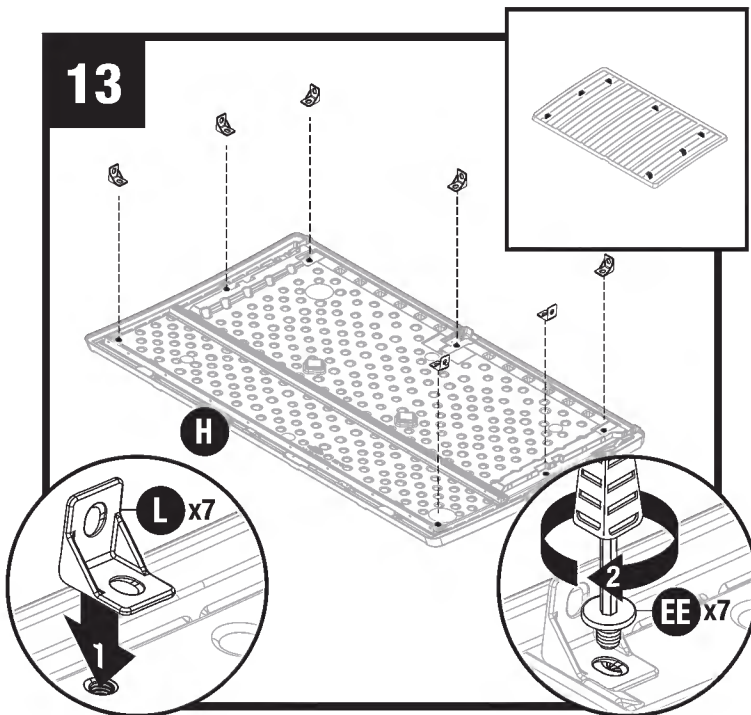
Place roof on flat surface and lower truss leg (J) into channel on underside of roof panel (H). Truss leg (J) top hole must be on the right side for proper orientation. Align holes in truss leg to rockets on roof panel. Attach bracket using ten screws (HH).

Note: Support bracket must be installed in orientation shown above. Roof will not fit if bracket is installed backwards.



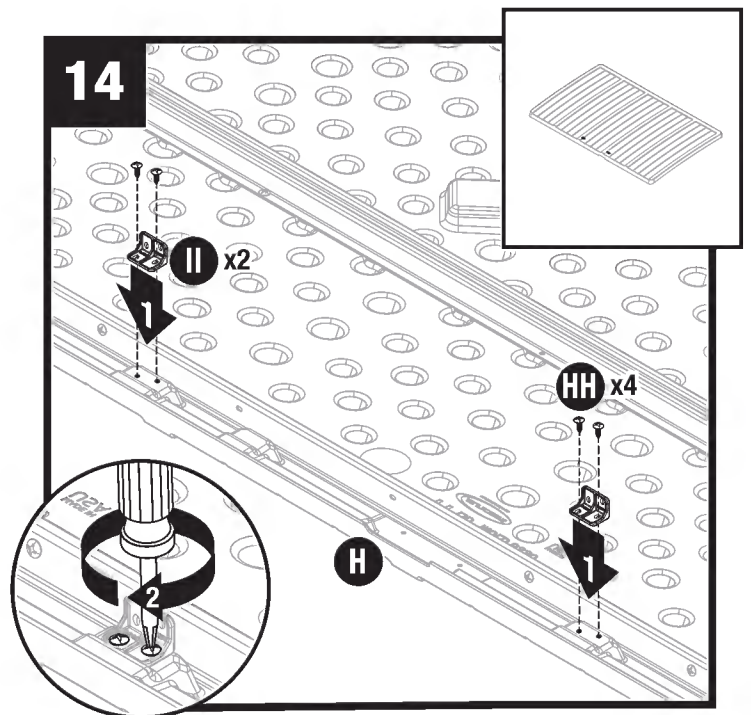
Lower S-rail (I) into position on roof (H). Attach using ten screws (HH). S-rail (I) proper orientation is shown above.

Note: There are no pre-drilled holes on the roof. Use force when starting to drive self-tapping screws. Once the screw pierces the plastic, it will drive easier.



Lower seven roof retainers (L) into roof where indicated. Secure with one easy bolt (EE) each.

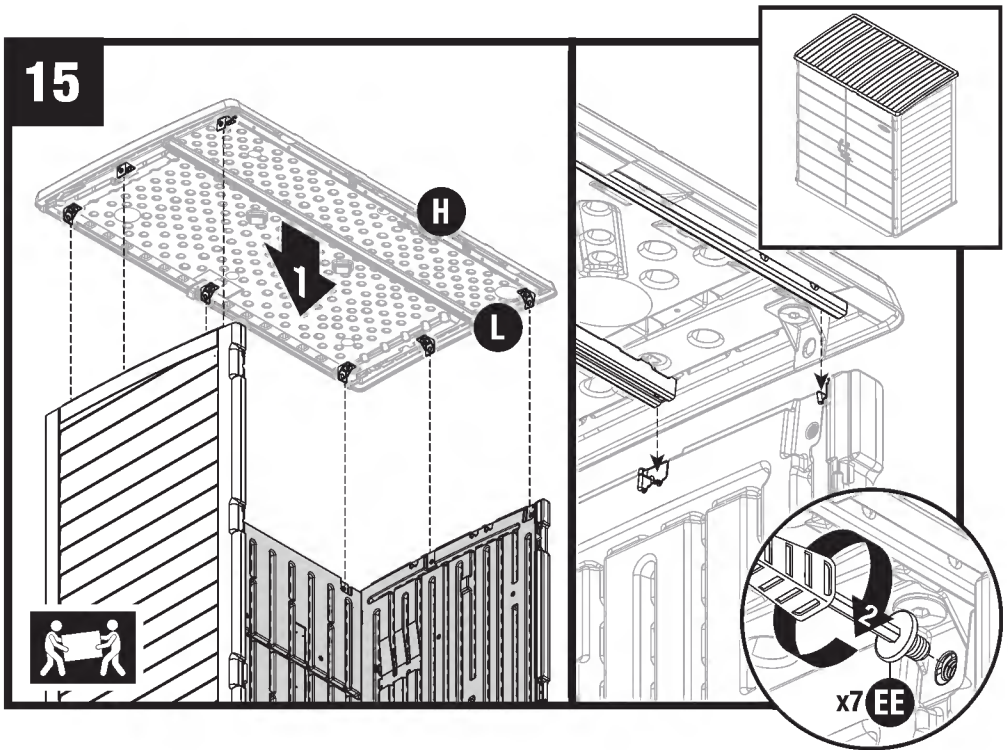
Do not overtighten.



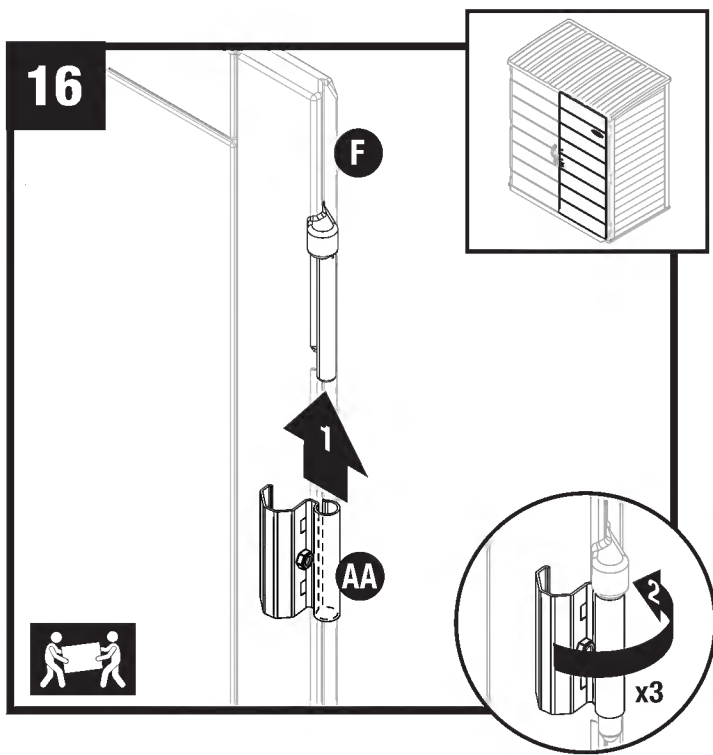
Attach two roof brackets (II) to bottom of roof panel (H) using two screws (HH).

Note: The vertical portion of the bracket must be oriented towards the inside of the shed.

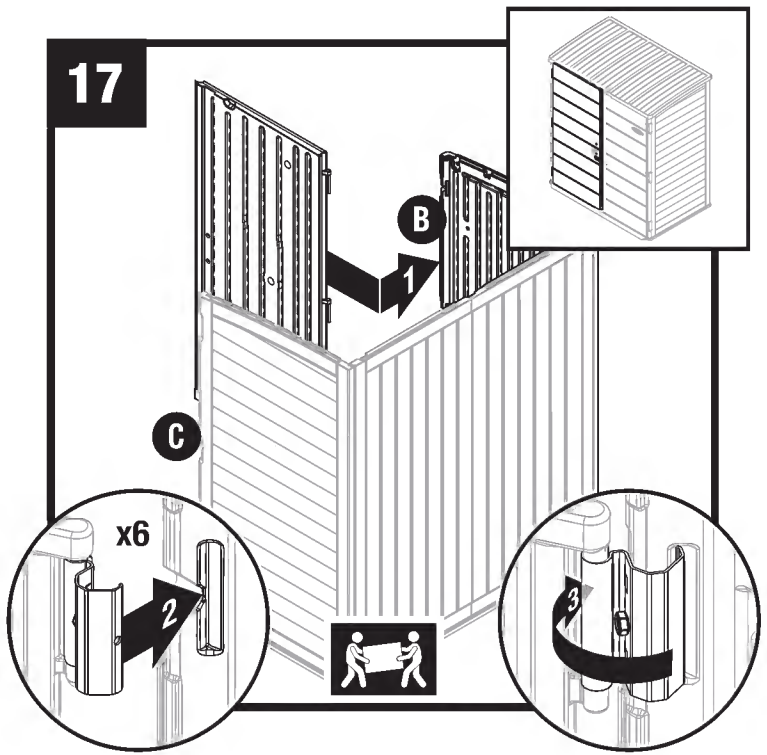
Assembly-Roof/Doors



Lower roof panel (H) and line up roof retainers (L) with holes on walls. The truss leg and S-rail will fit into notches in side panels. Secure retainers with seven easy bolts (EE). **Do not** overtighten.

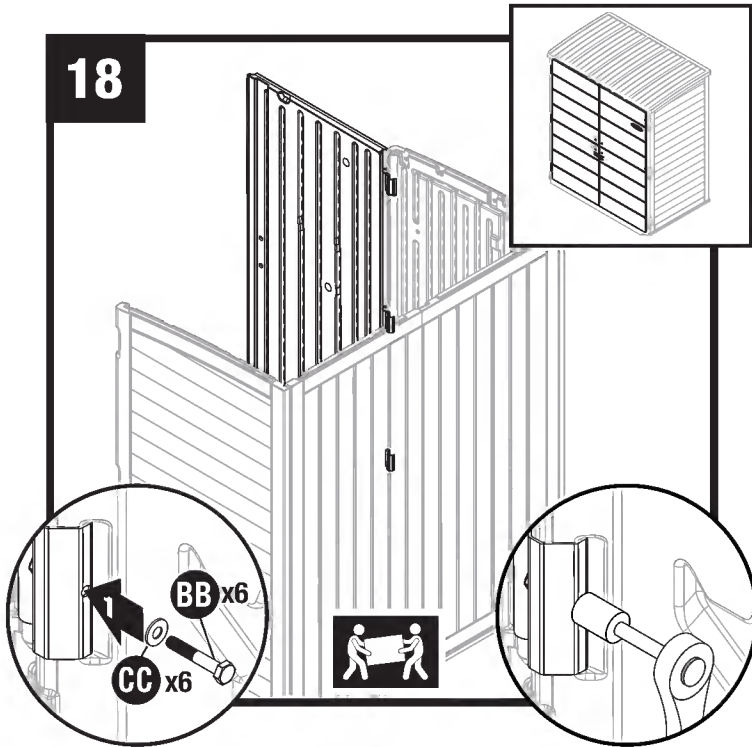


Stand right door (F) upright with hinge mounts facing right. Slide one door hinge (AA) onto each hinge mount. Rotate hinge to open position. Repeat for left door (G).

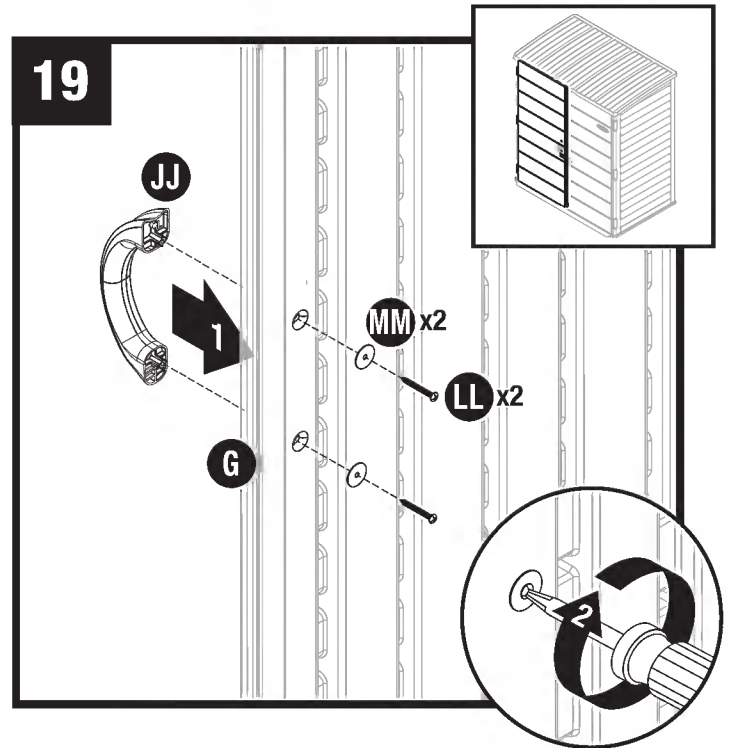


Hook hinges onto inside indent of side panels (B,C), and rotate towards front of shed to snap into place.

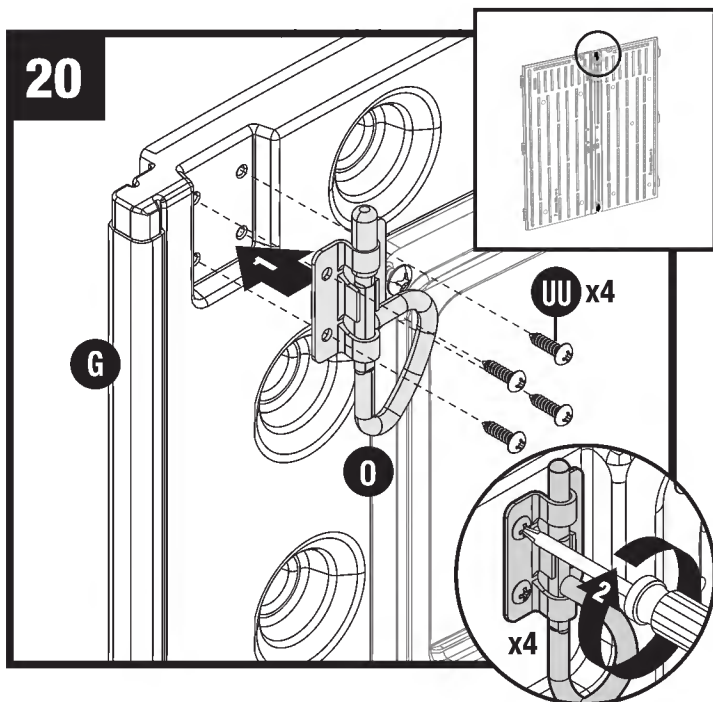
Assembly-Doors



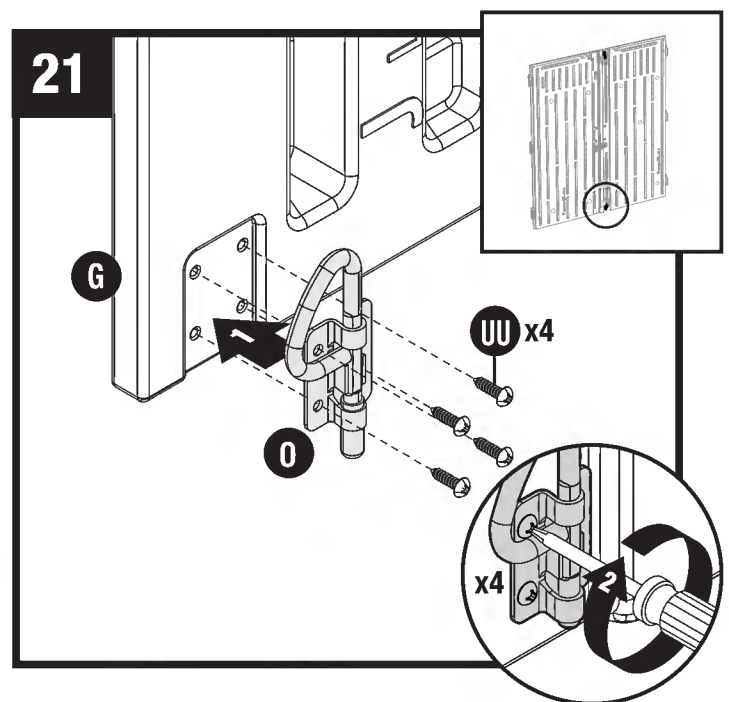
From the inside of the shed, secure each door hinge using 1 washer (CC) and bolt (BB). Tighten securely.



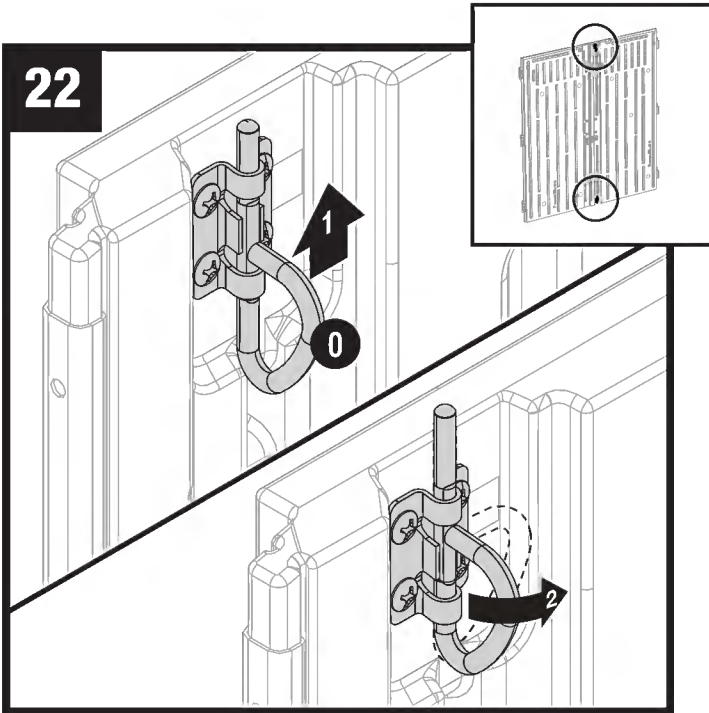
Attach one door handle (JJ) to left door (G) using washers (MM) and screws (LL). Repeat for right door (F).



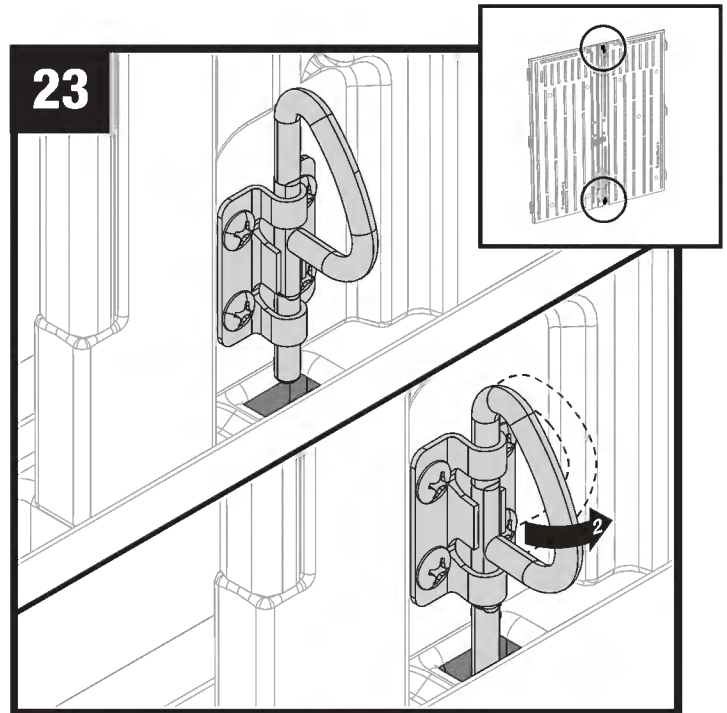
At top interior side of left door (G), attach D-ring side bolt (O) with four screws (UU).



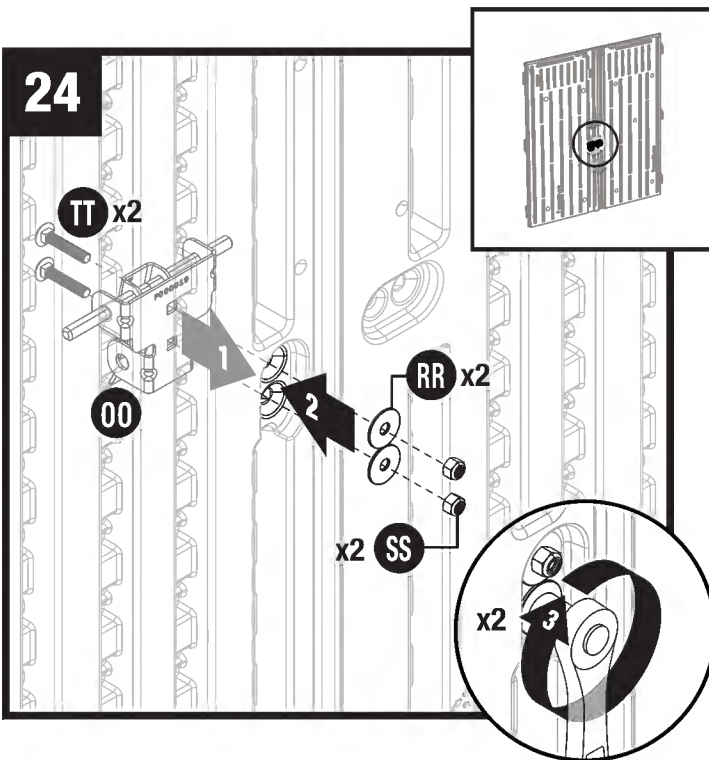
At bottom interior side of left door (G), attach D-ring side bolt (O) with four screws (UU).



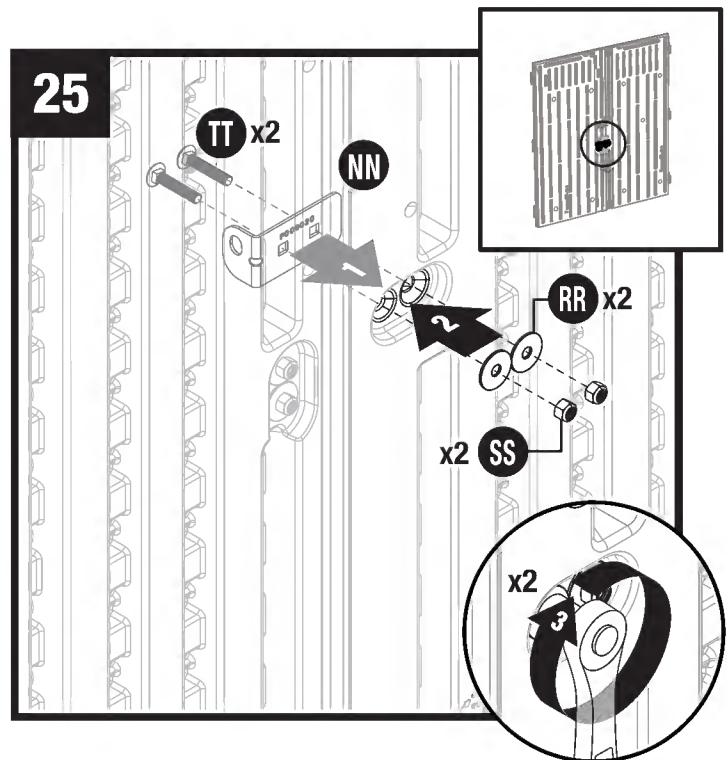
Lift upper D-ring (O) up to engage in front of Roof (H). Turn D-ring to right for locked position.



Push lower D-ring (O) down to engage with hole in floor. Turn D-ring to right for locked position.

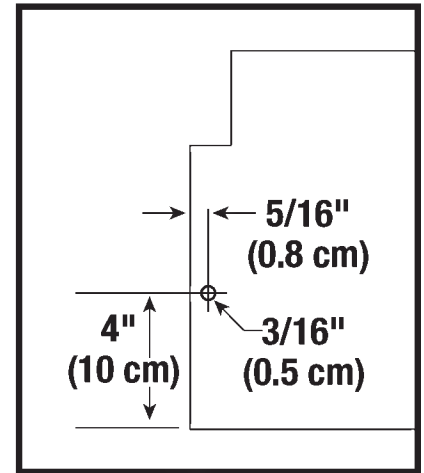
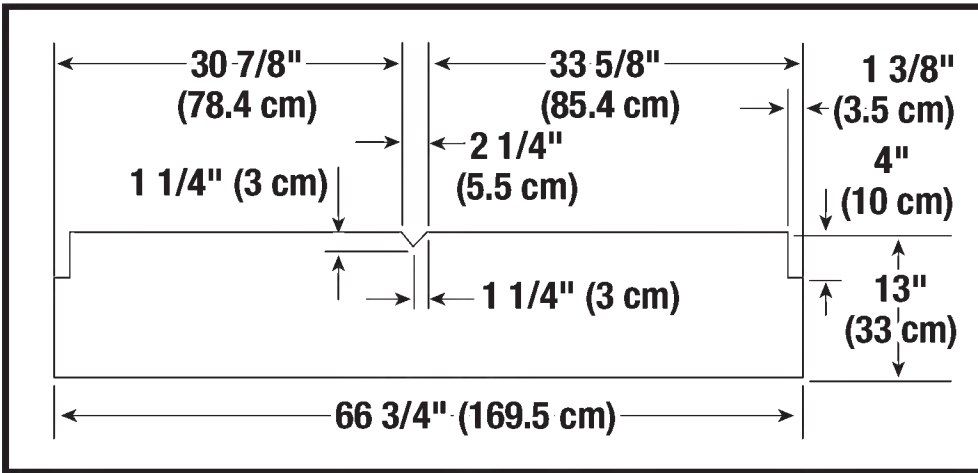


Insert two bolts (TT) into door latch assembly (OO) and through right door. The bolts will need to puncture through a thin layer of plastic to get through the door. While holding (OO) in place on exterior of door, secure bolts with two washers (RR) and nuts (SS).

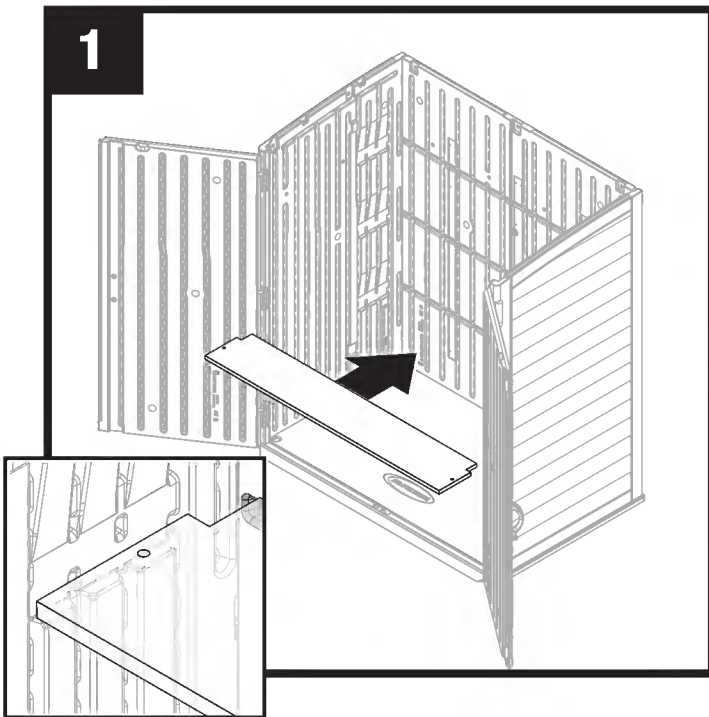


Insert bolts (TT) into left latch plate (NN) and through left door. The bolts will need to puncture through a thin layer of plastic to get through the door. While holding (NN) in place on exterior of door, secure bolts with two washers (RR) and nuts (SS).

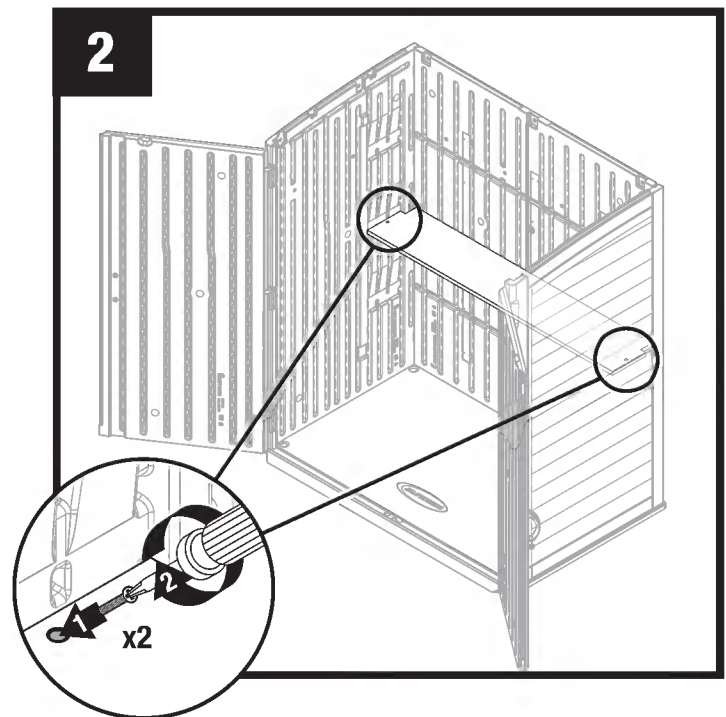
Optional Interior Wood Shelf (materials not included)



- Three optional wood shelves can be added to your storage shed.
- Cut shelves from 3/4" thick wood using dimensions above.
- Drill one 3/16" pilot hole on each side of shelf.



Place shelf into shed. Shelf must be completely seated into shelf supports on side and back panels.



To secure shelf, insert one #8 x 1.25" drywall screw (not provided) through each pilot hole and into side panels.



Avant de Commencer...

- **La préparation du site et la construction des fondations sont nécessaires pour cette remise et doivent être complétées avant l'assemblage.**
Commencez par choisir l'une des deux options de fondation approuvées décrites dans ce manuel et suivez les spécifications. Les options de fondation fournies offrent le meilleur soutien à long terme pour votre remise. **La garantie nécessite une fondation.**
- **Si vous n'avez pas d'expérience en matière de préparation du site ou de construction de fondations,** il est fortement recommandé de vous adresser à votre quincaillerie locale ou de faire appel à l'expertise d'un professionnel.
- Ouvrez soigneusement toutes les boîtes pour vérifier que les pièces sont présentes en consultant le manuel d'assemblage. **Remettez les pièces dans leurs boîtes d'origine** jusqu'à ce que vous soyez prêt à commencer l'assemblage.
- **Lisez TOUTES les instructions et tous les avertissements avant de procéder à l'assemblage.** Ce produit contient des pièces qui sont utilisées dans différentes orientations pour construire la remise. Le non-respect des instructions peut empêcher un assemblage correct ou endommager les pièces.
Veuillez prendre note des icônes utilisées dans ce manuel pour indiquer les points nécessitant une attention particulière.



Indique qu'au moins 1 adulte de plus est nécessaire pour compléter cette étape.



Indique que l'orientation des pièces est cruciale.



Conseils Relatifs à l'Assemblage

- Ne pas essayer d'assembler le produit par mauvais temps.
- Prévoyez suffisamment de temps pour assembler complètement la remise. Une remise incomplète peut présenter un risque pour la sécurité.
- Assurez-vous d'avoir de l'aide à proximité pour soulever et fixer les pièces en place.
- N'utilisez pas de clé dynamométrique ou de perceuse à main pour serrer les easy bolts. Utilisez uniquement easy driver.
- Suncast fournit du matériel supplémentaire pour les petites fixations pour la commodité du client. Dans certains cas, il y aura des petites fixations supplémentaires une fois l'assemblage complété.



Entretien de la Remise

- À intervalles réguliers, inspectez votre remise pour confirmer que l'intégrité de l'assemblage a été maintenue. **Réparez ou remplacez immédiatement les pièces cassées.**
- Vérifiez périodiquement le site d'installation de la remise pour s'assurer qu'il est toujours de niveau.
- Gardez le toit exempt de neige et de feuilles mortes.
- Pour garder l'aspect de votre produit, nettoyez-le régulièrement avec de l'eau et du savon doux. N'utilisez pas de produits caustiques ou de brosses dures. Si vous ne le nettoyez pas régulièrement, les taches seront permanentes. Ce dommage ne sera pas remboursé. Ce type de dommage n'est pas couvert par la garantie.



Avertissement

- Les outils électriques peuvent appliquer une force de couple excessive susceptible d'endommager le produit. Si vous choisissez d'assembler le produit à l'aide d'une perceuse électrique, Suncast recommande d'utiliser une perceuse sans fil à vitesses variables munie d'un embrayage à programme variable réglé au plus faible couple. Un embout de tournevis cruciforme n° 2 est compatible avec la quincaillerie fournie. Suncast ne garantit toutefois pas que le respect de cette recommandation prévienne tout dommage au produit. Les pièces endommagées en raison d'une force de couple excessive ne sont pas couvertes par la garantie limitée de Suncast.
- Ne pas placer près d'objets qui sont chauds ou qui sont susceptibles de le devenir.
- Ne pas placer dans des endroits situés près de surfaces hautement réfléchissantes (note : les fenêtres à faible rendement énergétique sont plus réfléchissantes que les fenêtres standards et peuvent écourter la durée de vie du produit).
- Remise non conçue pour le rangement de matières inflammables, caustiques ou corrosives.
- Les objets lourds ne doivent pas être appuyés contre les murs, car les panneaux risqueraient d'être déformés ou de subir des dommages irréversibles.
- Remise non conçue pour être habitée ou utilisée par des enfants.
- Suncast décline toute responsabilité en cas de dommages ou de pertes matérielles causés par les intempéries, une mauvaise utilisation, une préparation du site incorrecte, des fondations inadéquates ou un assemblage incorrect. Consultez www.suncast.com/warranty pour consulter la liste complète des limitations de garantie.
- Le produit résiste à l'eau, mais n'est pas à l'épreuve de l'eau. Pour obtenir une performance optimale, installer la remise loin d'une gouttière ou d'un tuyau de descente.
- Cet ensemble contient des pièces aux bords acérés. Manipuler avec prudence; le port de gants de travail est recommandé.
- Au moment de percer métal prendre garde aux rognures et aux copeaux, ainsi qu'aux bords tranchants. Le port de lunettes de sécurité est fortement recommandé.
- Lorsque le produit n'est pas utilisé, toutes les portes doivent être fermées avec les dispositifs de verrouillage engagés et sécurisées avec un cadenas.

Préparation du Site

Important:

- **La préparation du site est essentielle et doit être terminée avant la construction des fondations. Si la surface n'est pas correctement nivelée et plate, l'abri ne s'assemblera pas correctement et pourrait endommager le produit.**
- **Utilisez un niveau de taille appropriée pour confirmer que le site et les fondations sont carrés, plats et de niveau.**

Préparation du Site:

1. Lorsque vous choisissez un emplacement pour votre remise, tenez compte de facteurs tels que l'exposition au soleil, le drainage, les zones humides et la proximité d'autres structures.
2. Consultez vos autorités locales pour connaître les codes de construction, les engagements ou les permis requis.
3. Avant de commencer à creuser, vérifiez auprès des services publics locaux l'emplacement des câbles, tuyaux, etc. enterrés.
4. Préparez le site en le nivelant et en le compactant afin de créer une surface plane et horizontale pour les fondations.
5. Le sol au-delà des fondations doit être en pente pour assurer un drainage adéquat.
6. Choisissez quel type de fondation (dalle de béton ou plateforme de bois) et suivez les spécifications fournies.

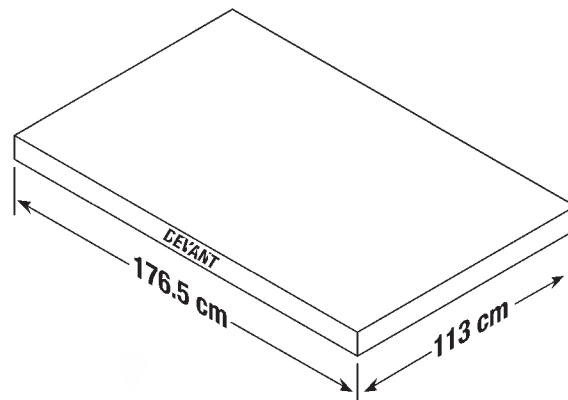
Spécifications de Construction des Fondations

Matériaux NON fournis avec l'ensemble de remise

Option #1: Dalle de Béton

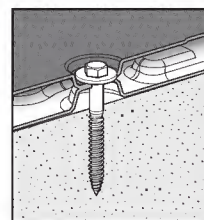
Construction:

- Construire une seule dalle de béton d'au moins 4" d'épaisseur.
- L'utilisation de barres de renforcement est fortement recommandée si l'épaisseur de la fondation est de 5" ou plus.
- Vérifiez les fondations dans les deux sens pour vous assurer qu'elles sont de niveau avant de construire la remise.
- Un pare-vapeur (optionnel) peut être appliqué sur la fondation pour éviter une condensation excessive. Respecter les codes de construction locaux.
- Les mesures fournies sont les exigences minimales pour soutenir ce modèle en toute sécurité.



D'ancrage (compléter APRÈS l'assemblage):

- La remise doit être fixée à une dalle de béton continue à l'aide d'ancrages pour maçonnerie 3/8" et de rondelles de 1". 4 ancrages de maçonnerie et rondelles sont requis.
- Outils supplémentaires requis: Foret à maçonnerie de 3/8".
- Le matériel d'ancrage n'est pas inclus.

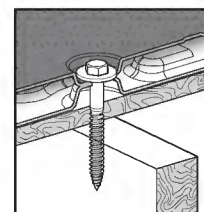
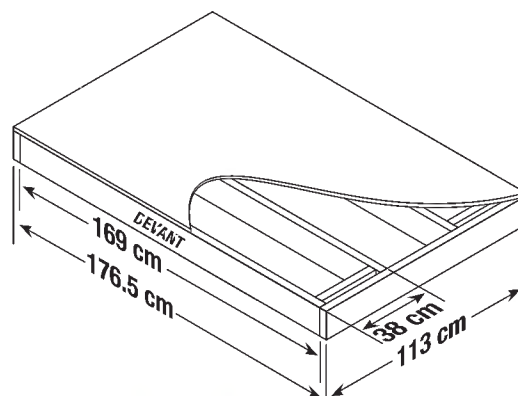


Exemple de section d'ancrage

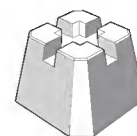
Option #2: Plate-forme en Bois

Construction:

- Utilisez du bois traité sous pression, de qualité extérieure (2" x 6").
- Placez la plate-forme sur des blocs de terrasse ou des se lles. Des cales supplémentaires peuvent être nécessaires en fonction de la qualité du sol dans votre région.
- Vérifiez les fondations dans les deux sens pour vous assurer qu'elles sont de niveau avant de construire la remise.
- Respectez les mesures d'espacement critique et la liste des matériaux incluse dans ce manuel. Les mesures fournies sont les exigences minimales pour soutenir ce modèle en toute sécurité. Une plate-forme en bois plus grande que celle spécifiée est acceptable, mais la remise doit être centrée sur les dimensions de la plate-forme fournies.



Exemple de section d'ancrage

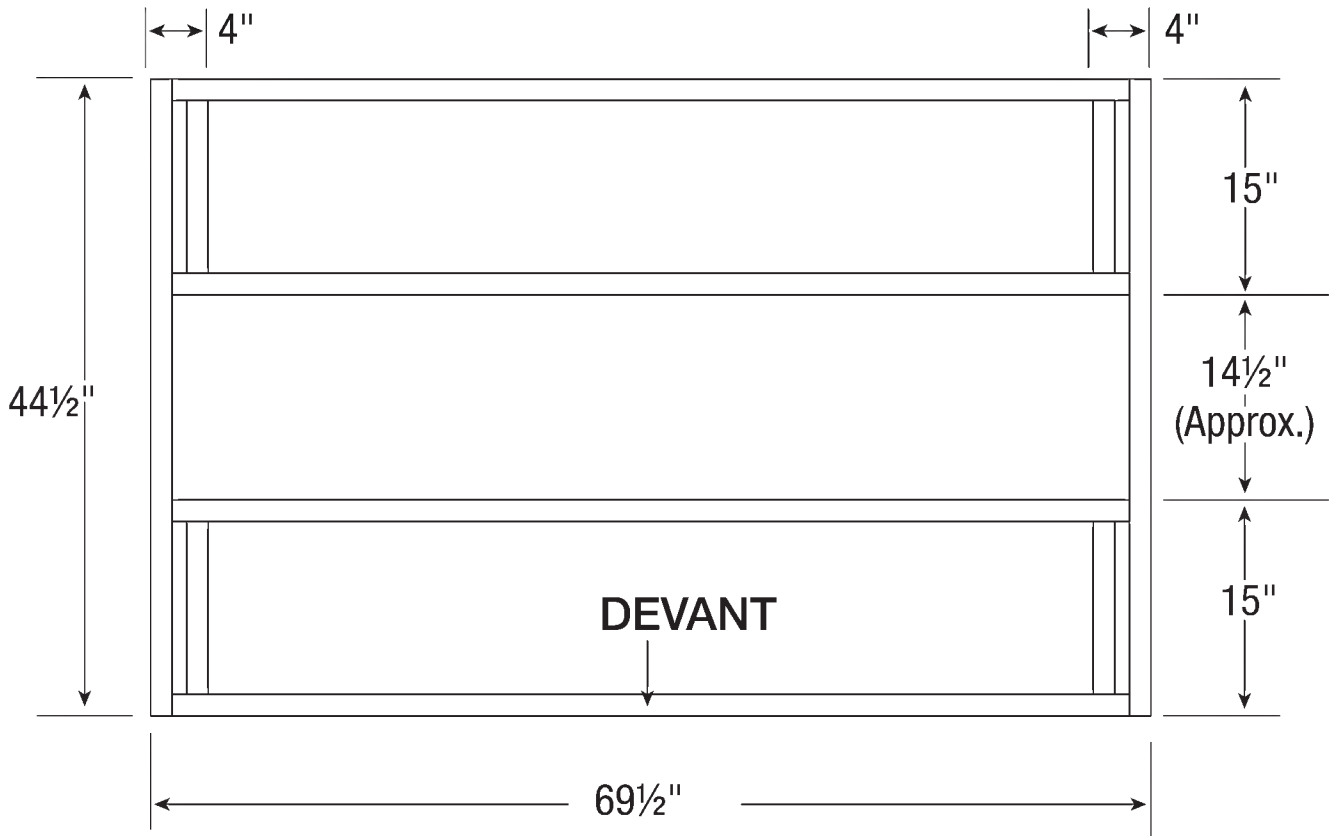


D'ancrage (compléter APRÈS l'assemblage):

- La remise doit être fixée à la plate-forme en bois à l'aide de tire-fonds de 1/4" x 3/8" x 3" et de rondelles de 1". 4 vis et rondelles sont nécessaires.
- Veillez à ce que la remise soit orientée correctement, de manière à ce qu'elle soit alignée avec la structure inférieure de la plate-forme.
- Outils supplémentaires requis: Foret à maçonnerie de 7/32".
- Le matériel d'ancrage n'est pas inclus.

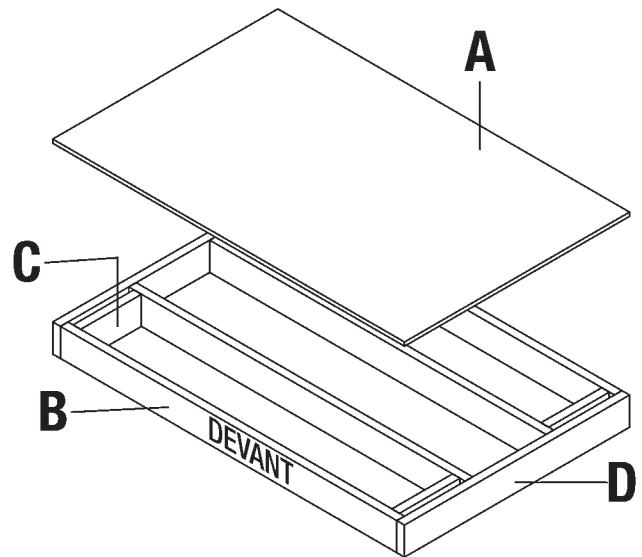
Plate-forme en Bois Espacement Critique et Liste des Matériaux

Matériaux NON fournis avec l'ensemble de remise



Liste des Matériaux

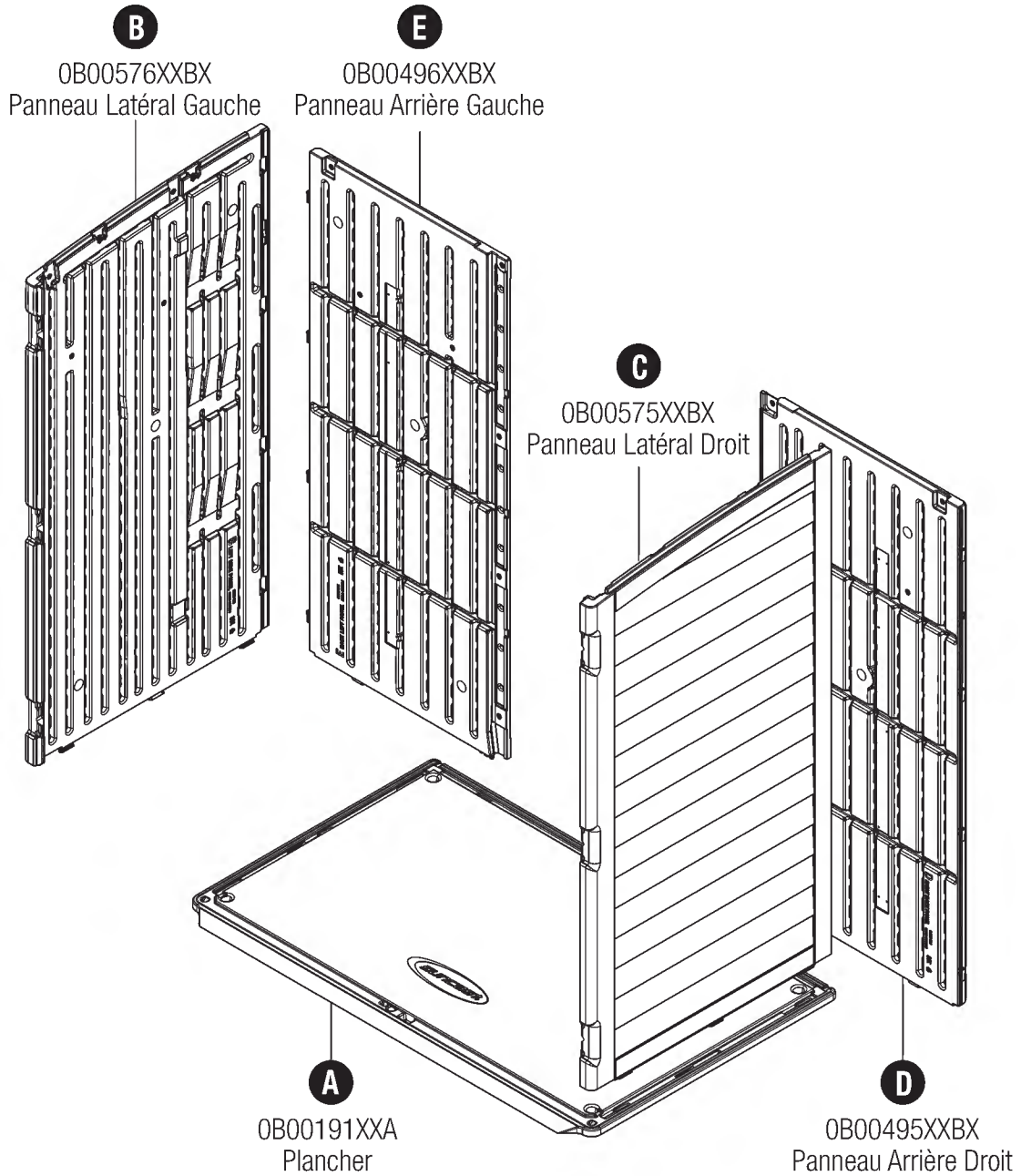
Article	Qté	Taille
a	1	44.5" x 69.5" x .75"
b	4	2" x 6" x 66.5"
c	4	2" x 6" x 12"
d	2	2" x 6" x 44.5"



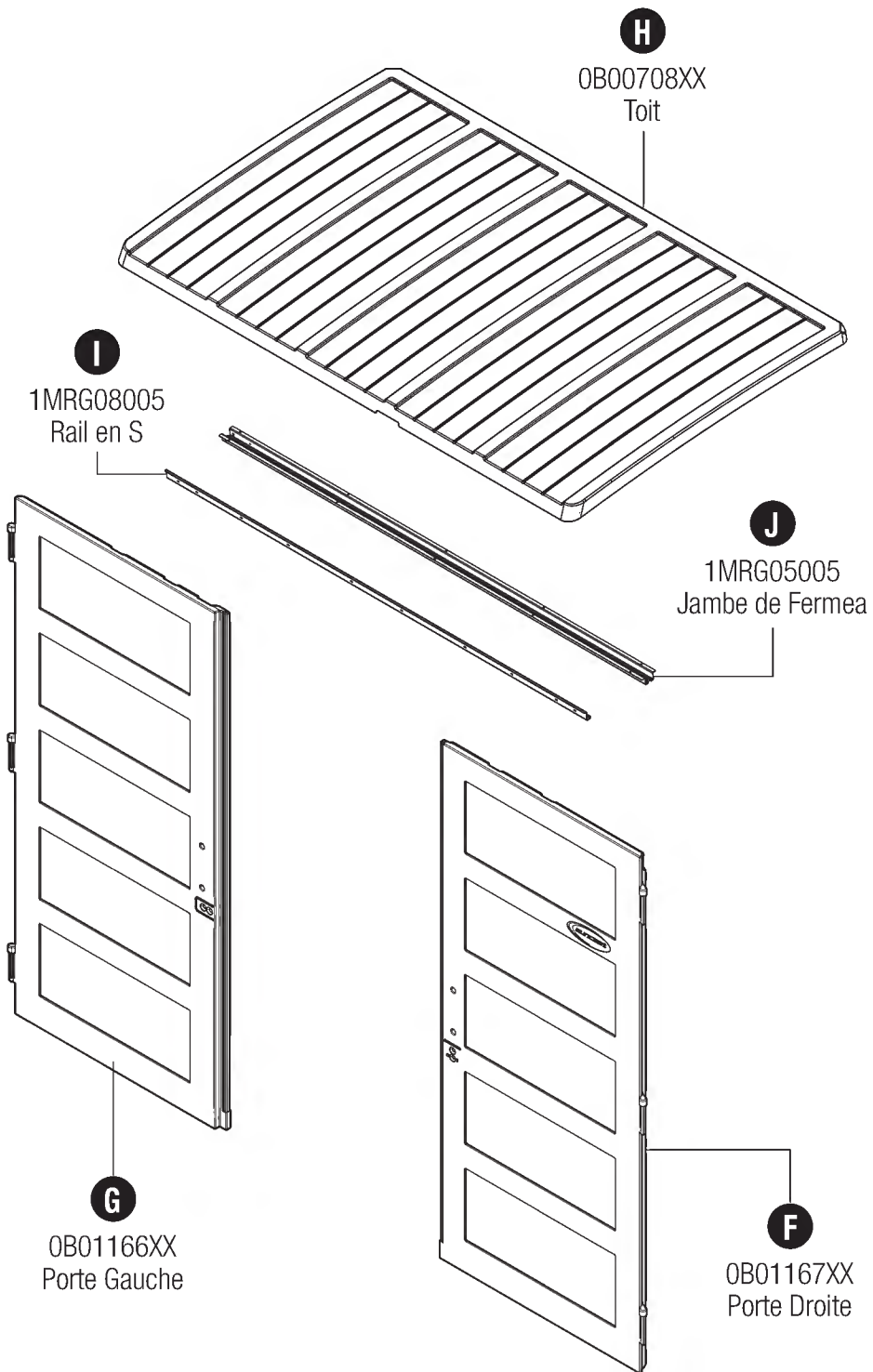
Vérifiez attentivement toutes les mesures d'espacement cruciales.

*Veuillez noter que le bois de dimension 2" x 6" (51 mm x 152 mm) est en fait 1/2" (13 mm) plus petit que les tailles indiquées. Les dimensions données supposent une taille réelle standard de 1.5" x 5.5" (38 mm x 140 mm). Les dimensions du bois peuvent varier. Vérifiez les dimensions du bois avant de couper et faire les ajustements appropriés pour atteindre les dimensions données. Les tailles de coupe sont la taille réelle.

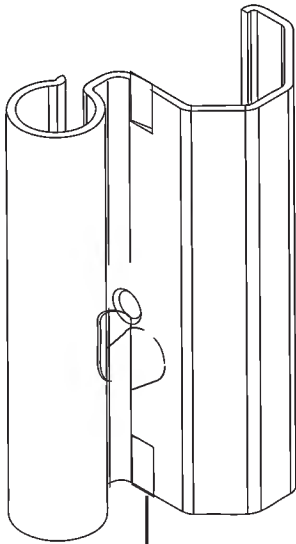
Pièces - Mur et Plancher



Pièces - Toit et portes



Pièces -Quincaillerie



AA

OMP000022A
Charnière de Porte
x6

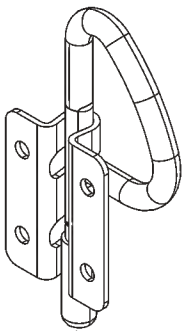
0480452 - Sac de Quincaillerie



UU

0210180
Vis
x9

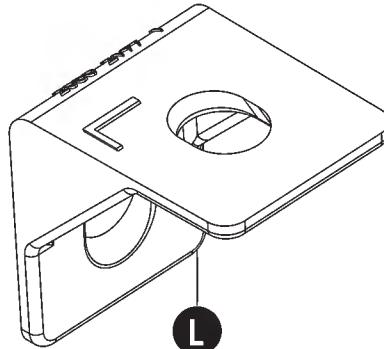
0440631 - Sac de Quincaillerie



O

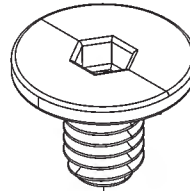
Verrou en D
x2

Sac de Quincaillerie



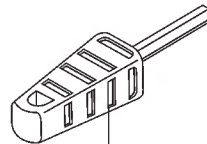
L

0102197XX
Retenue de Toit
x7



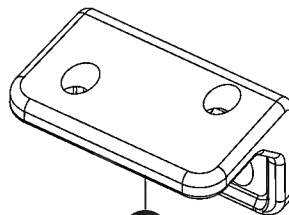
EE

Easy Bolt
x17



FF

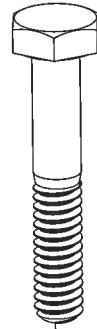
Easy Driver



II

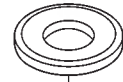
010272110
Support de Toit
x2

0480616- Sac de Quincaillerie



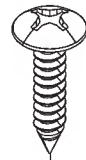
BB

Boulon
x7



CC

Rondelle
x7

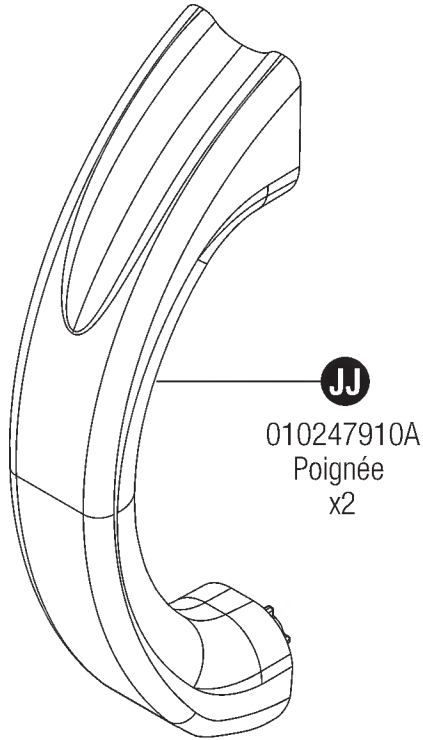


HH

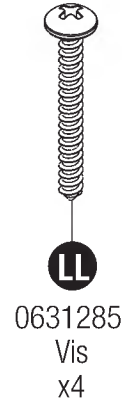
Vis
x30

Pièces - Pièces pour Trousse de Poignée de Porte

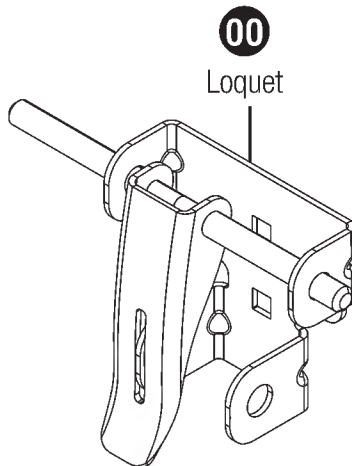
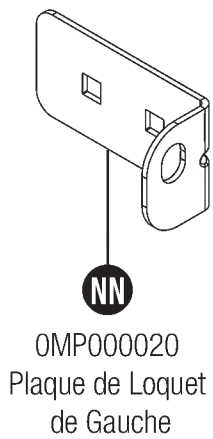
0464523 - Trousse de Poignée de Porte



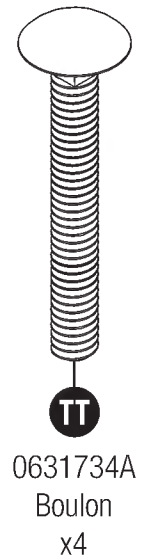
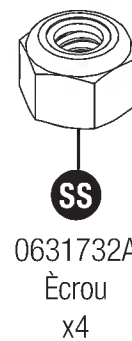
0480370 - Quincaillerie



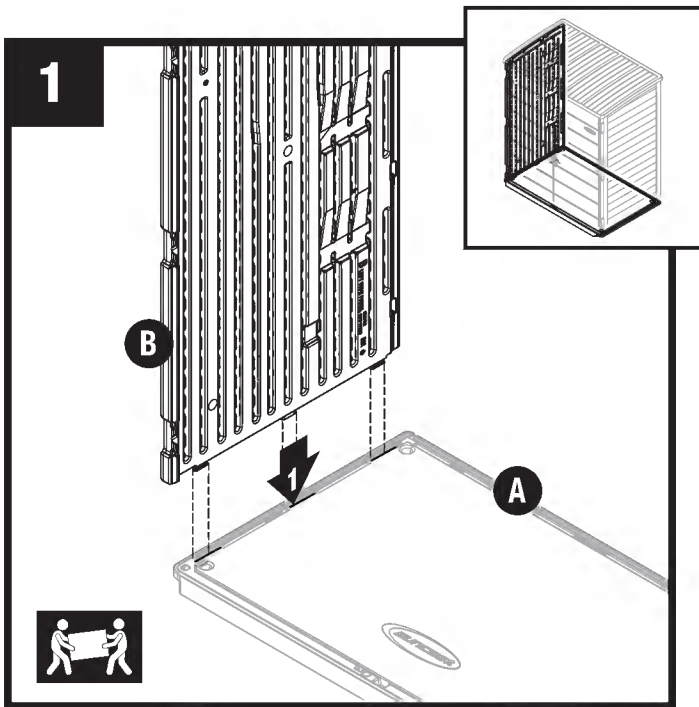
0464504 - Ensemble de Loquet



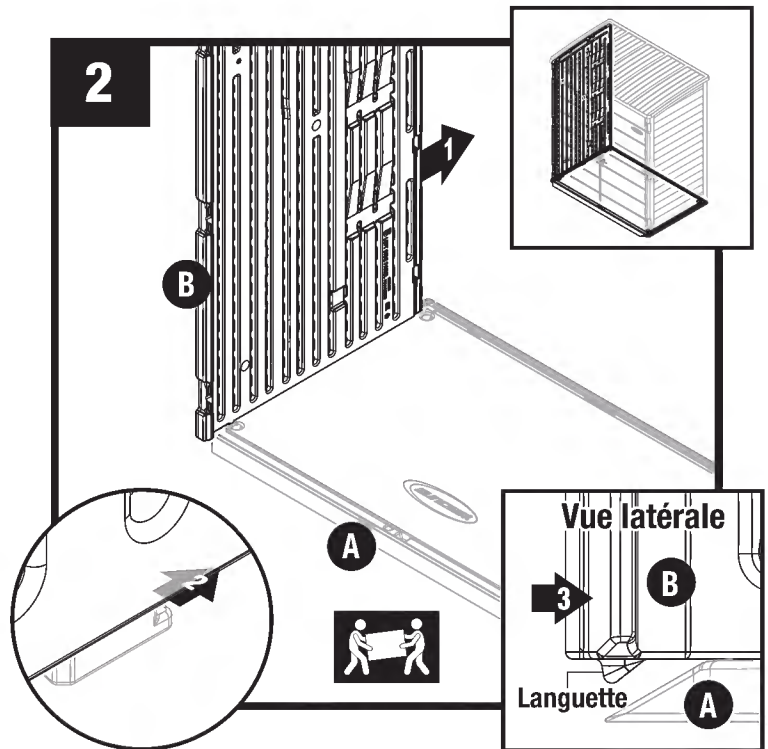
0480439A - Quincaillerie



Assemblage – Murs

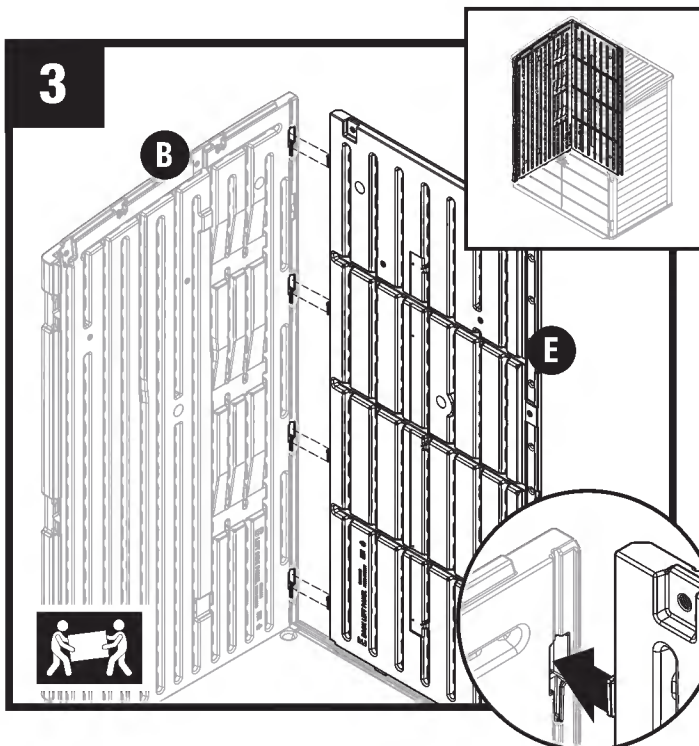


Alignez les languettes du panneau latéral inférieur gauche (B) avec les fentes du plancher (A). Abaissez le panneau dans les fentes.

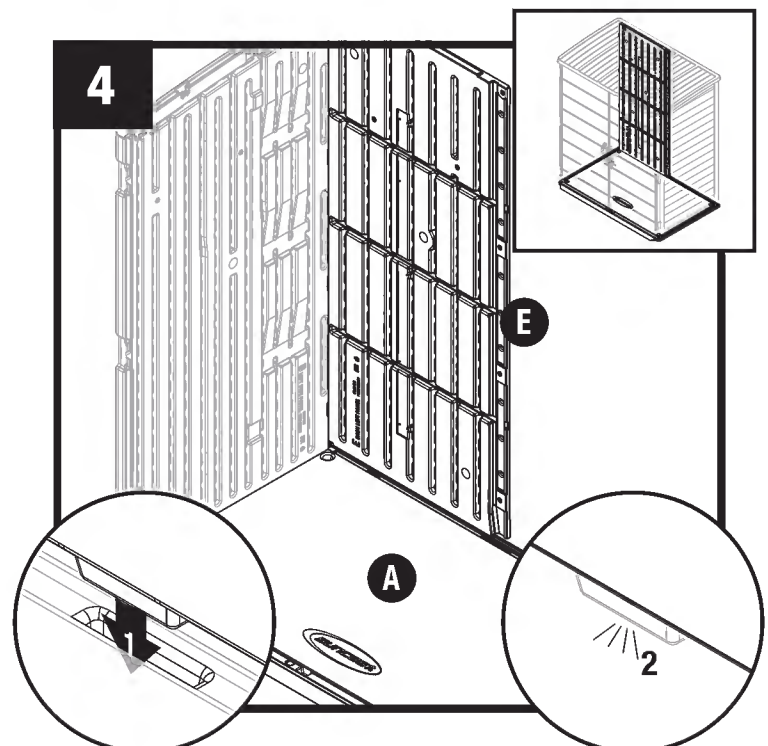


Verrouillez le panneau latéral (B) en faisant glisser le panneau vers l'arrière du panneau de plancher (la languette d'angle avant glissera en position).

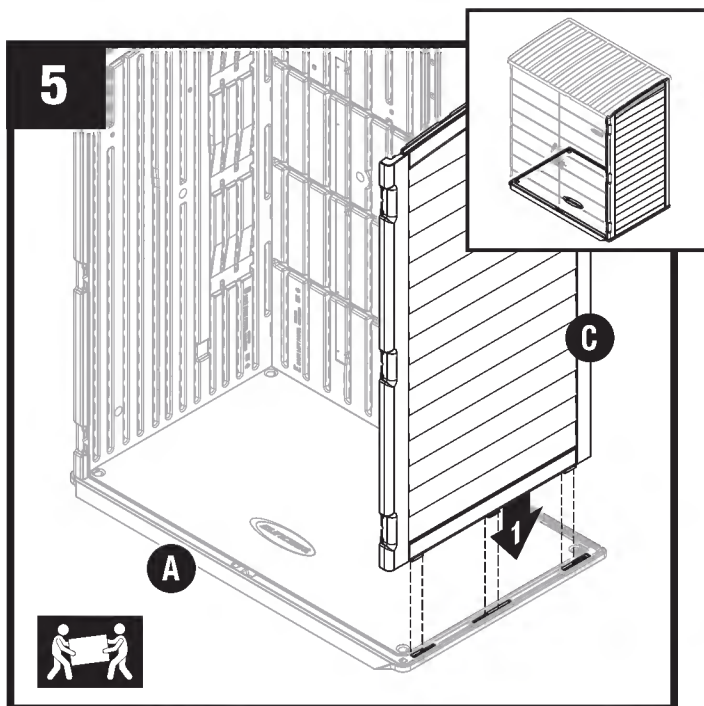
Remarque : Utilisez un maillet en caoutchouc pour pousser le panneau latéral gauche (B) en position verrouillée.



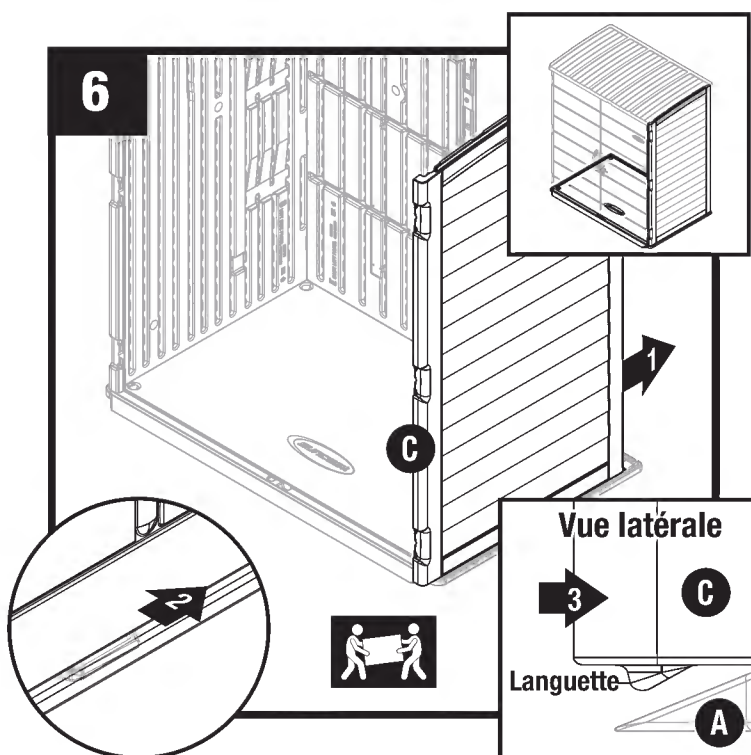
Alignez les languettes sur le côté du panneau arrière gauche (E) avec les fentes du panneau latéral gauche (B). Faites glisser le panneau arrière gauche vers le panneau latéral gauche.



Abaissez les languettes du panneau arrière gauche (E) dans les fentes du plancher (A). Les onglets du panneau arrière gauche s'enclencheront en place lorsqu'ils seront correctement positionnés.

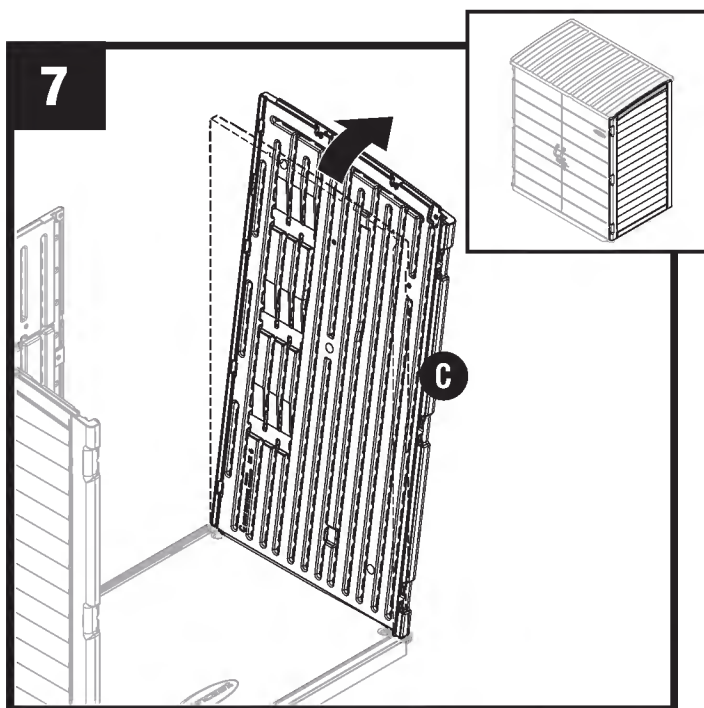


Alignez les languettes du panneau latéral droit (C) avec les fentes du plancher (A). Abaissez le panneau dans les fentes.

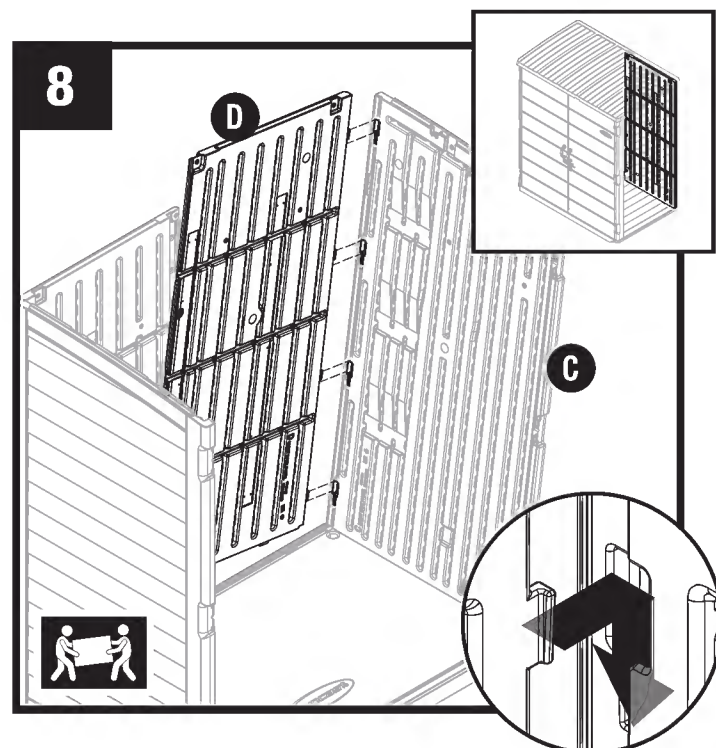


Verrouillez le panneau latéral (C) en faisant glisser le panneau vers l'arrière du panneau de plancher (la languette d'angle avant glissera sur le sol et en position).

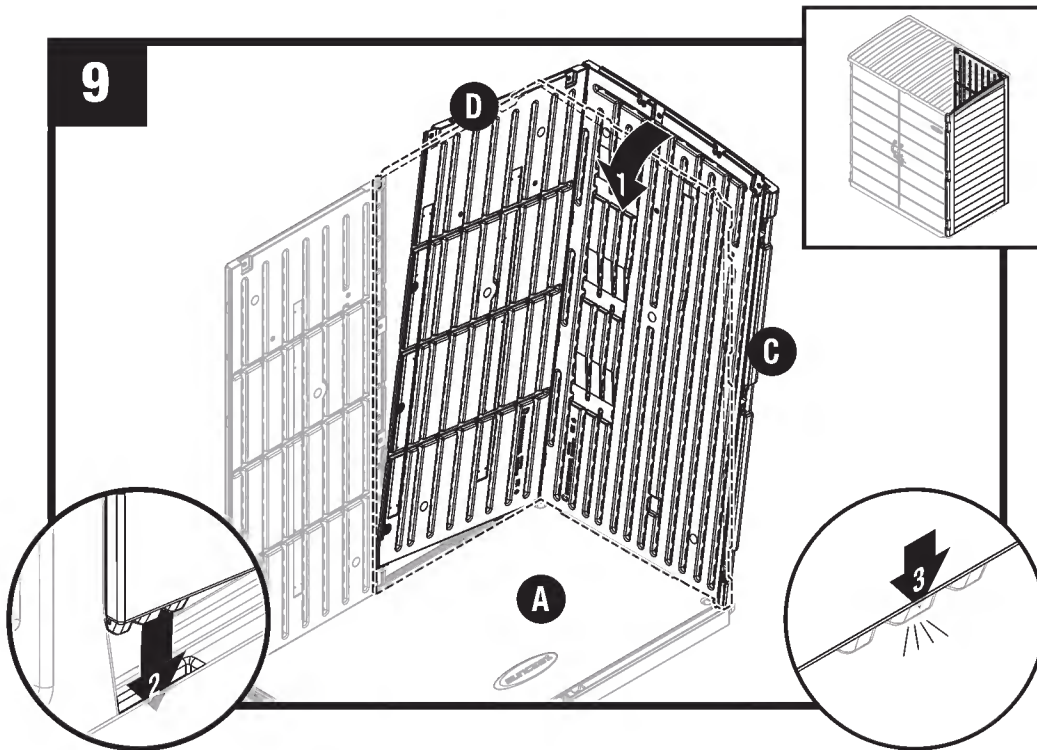
Remarque : Utilisez un maillet en caoutchouc pour pousser le panneau latéral droit (C) en position verrouillée.



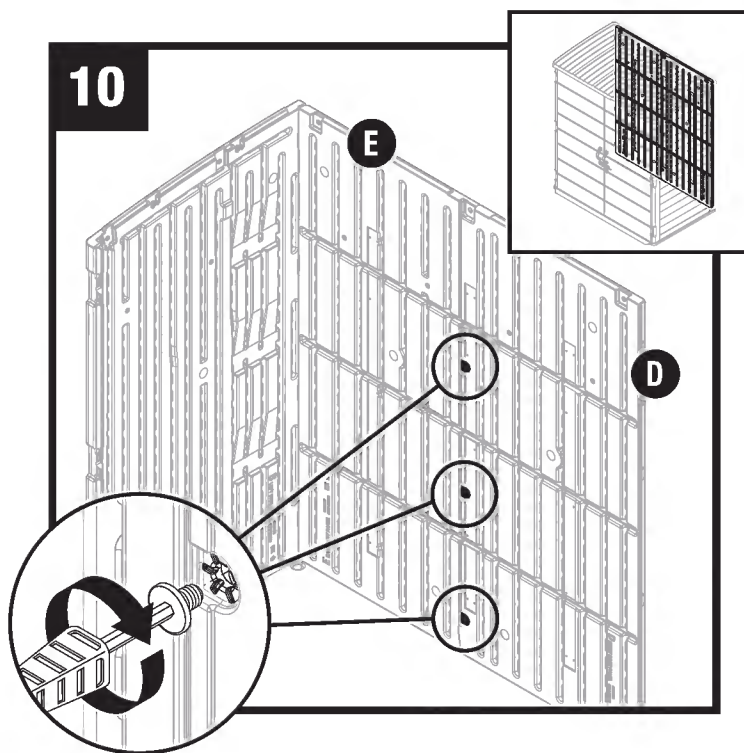
Inclinez le panneau droit (C) vers l'extérieur.



Dans un angle, alignez les languettes sur le côté du panneau arrière droit (D) avec les fentes du panneau latéral droit (C). Faites glisser le panneau arrière droit dans le panneau latéral droit pour le fixer.



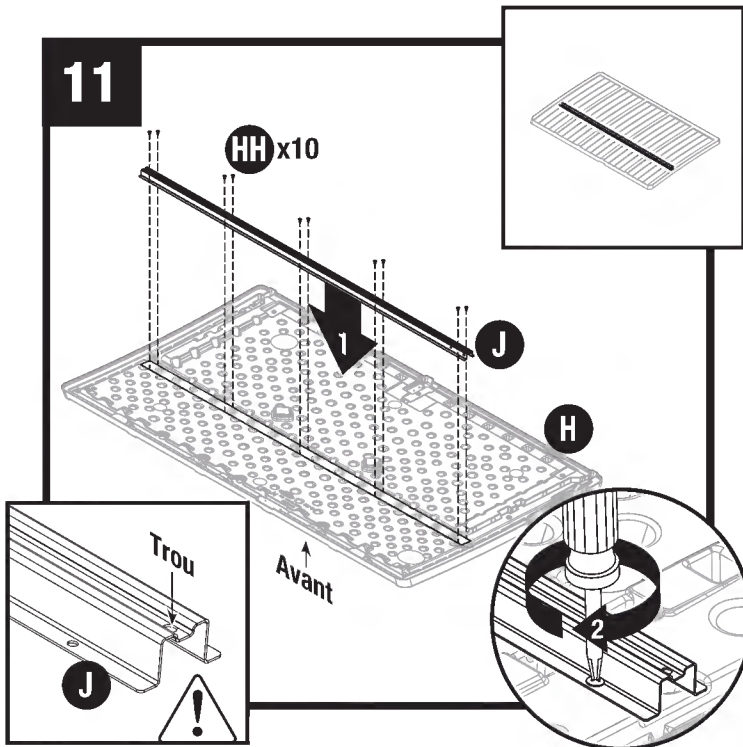
Inclinez le panneau arrière droit (D) et le panneau latéral droit (C) vers la position verticale (abaissez les languettes du panneau arrière droit dans les fentes du plancher (A). Les onglets du panneau arrière droit s'enclencheront en place lorsque la position sera correcte.



Fixez les panneaux arrière (E,D) ensemble à l'aide de trois easy bolts (EE) qui fonctionnent de bas en haut. **Ne pas** trop serrer.

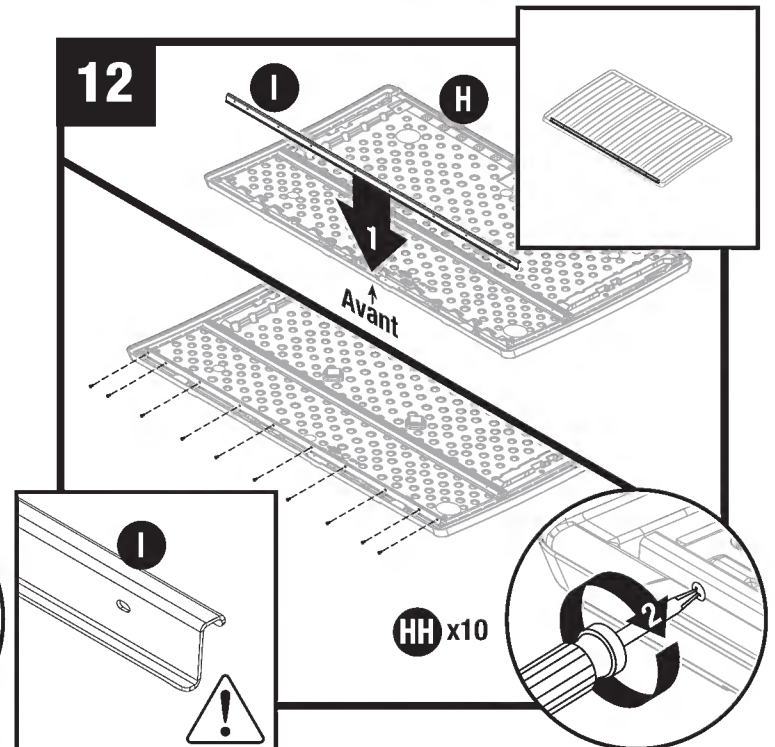
Remarque : L'emplacement du boulon supérieur sera installé dans une étape ultérieure.

Assemblage - Toit



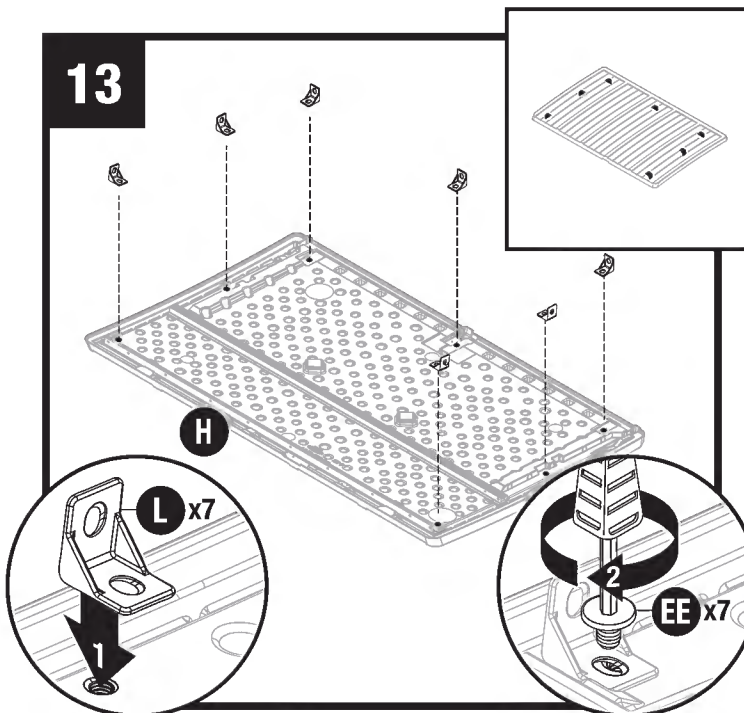
Placez le toit sur une surface plane et insérez la jambe de force (J) dans la rainure située sur la face inférieure du panneau de toit (H). Le trou supérieur de la jambe de force (J) doit être orienté vers la droite pour que l'orientation soit correcte. Alignez les trous avec le panneau de toit. Fixer le panneau avec dix vis (HH).

Remarque: L'orientation est essentielle.

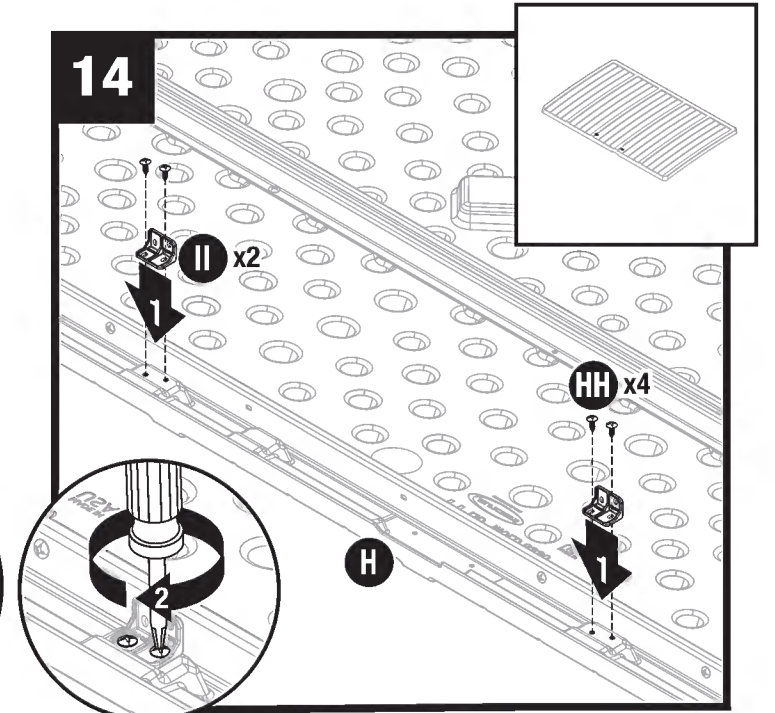


Abaissez le rail en S (I) en position sur le toit (H). Fixez à l'aide de dix vis (HH). L'orientation correcte du rail en S (I) est indiquée ci-dessus.

Remarque: Il n'y a pas de trous pré-perçés sur le toit. Utilisez la force en vissant les vis autotaraudeuses. Une fois que la vis a percé le plastique, elle se déplacera plus facile.



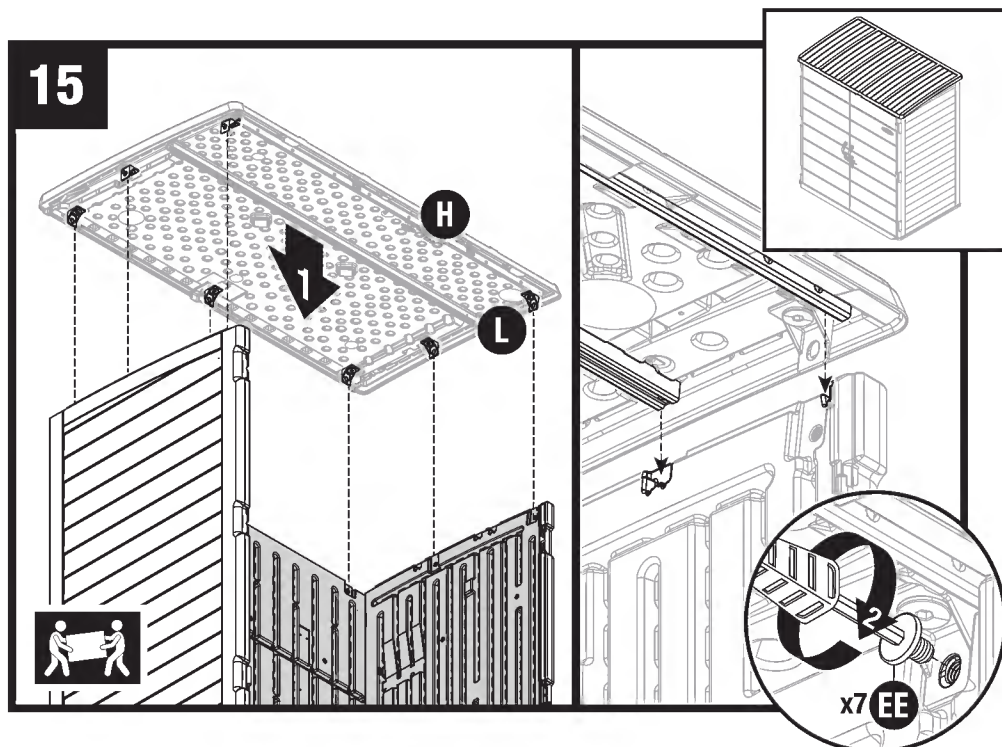
Abaissez sept retenues de toit (L) en place sur le toit à l'endroit indiqué. Fixez chaque retenue de toit à l'aide d'un easy bolt (EE). **Ne pas trop serrer.**



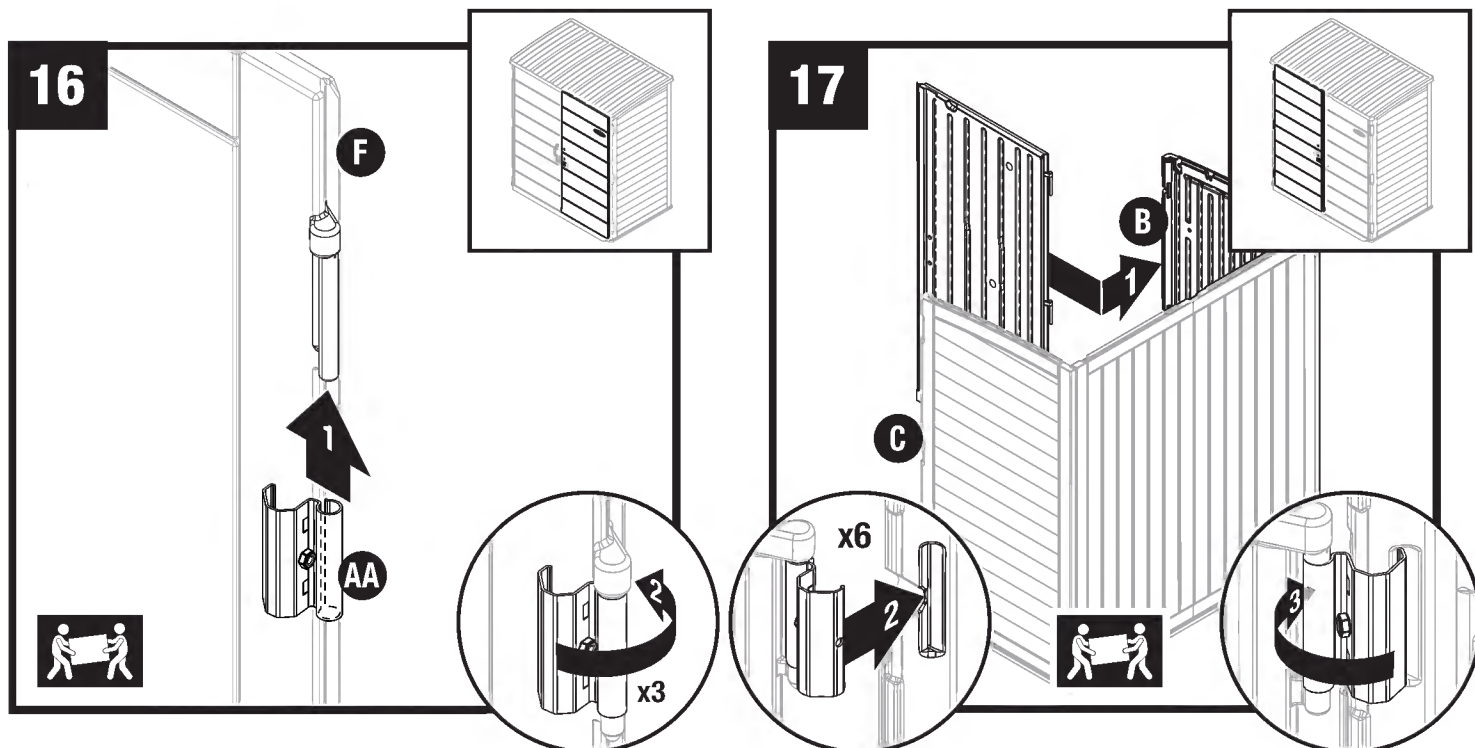
Fixer deux supports de toit (II) au bas du panneau de toit (H) à l'aide de deux vis (HH) chacune.

Remarque: La partie verticale du support doit être orientée vers l'intérieur de la remise.

Assemblage - Toit/Portes

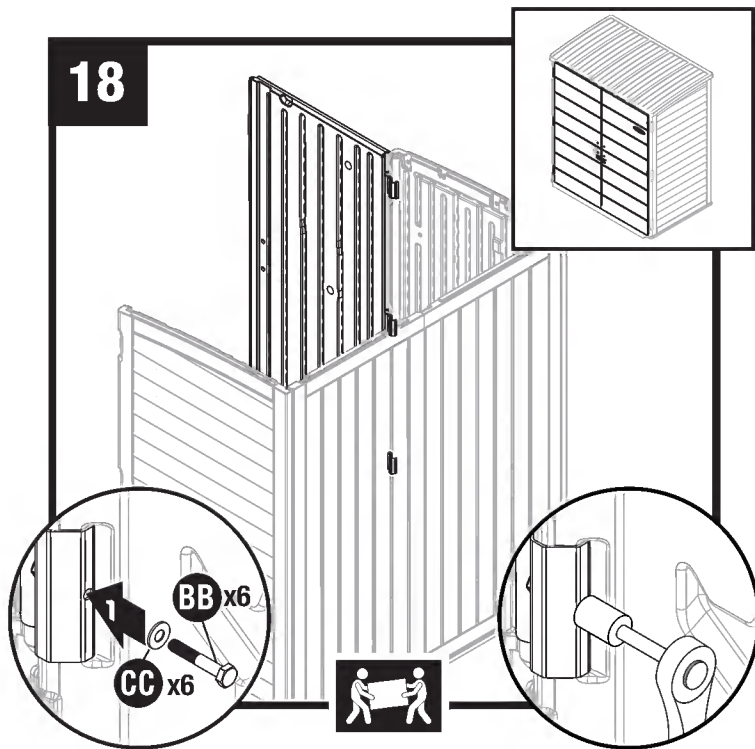


Abaissez le panneau de toit (H) et alignez les retenues de toit (L) avec les trous des parois. La jambe de force et le rail en S s'insèrent dans les encoches des panneaux latéraux. Fixez les retenues de toit à l'aide de sept boulons faciles (EE). **Ne pas trop serrer.**

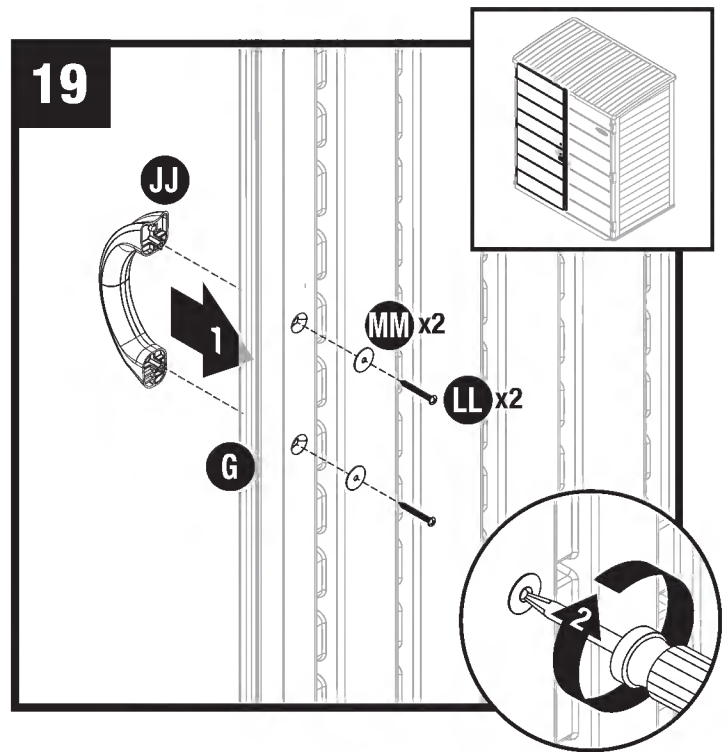


Positionnez la porte droite (F) verticalement avec les montants de charnière pointant vers la droite. Faites glisser une charnière de porte (AA) sur chaque support de charnière. Tournez les charnières pour les ouvrir. Répétez l'opération pour la porte gauche (G)

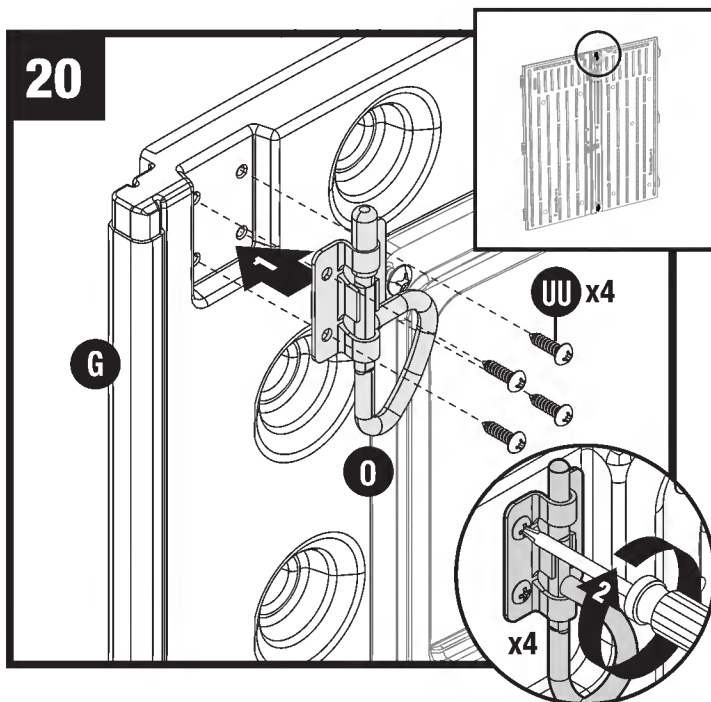
Accrochez les charnières de la porte à l'intérieur des panneaux latéraux (B,C) et faites-les pivoter vers l'avant de la remise jusqu'à ce qu'elles s'enclenchent.



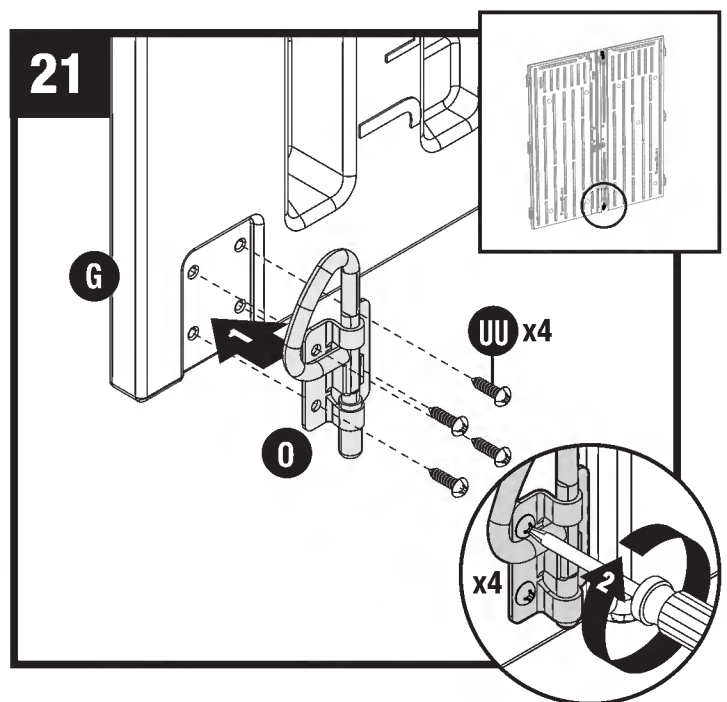
Depuis l'intérieur de la remise, fixez chaque charnière de porte à l'aide d'une rondelle (CC) et d'un boulon (BB). Serrez fermement.



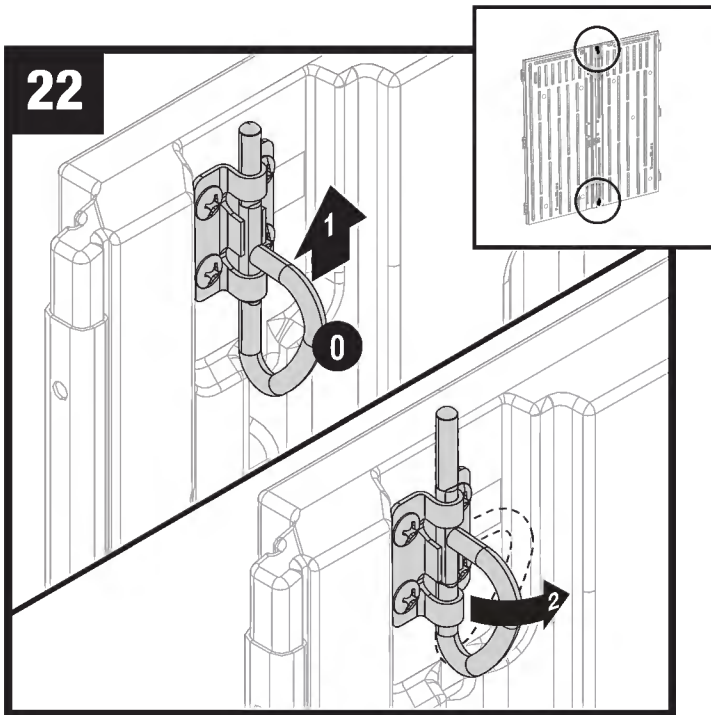
Fixez une poignée de porte (JJ) à la porte gauche (G) à l'aide de rondelles (MM) et de vis (LL). Répétez l'opération pour la porte droite (F).



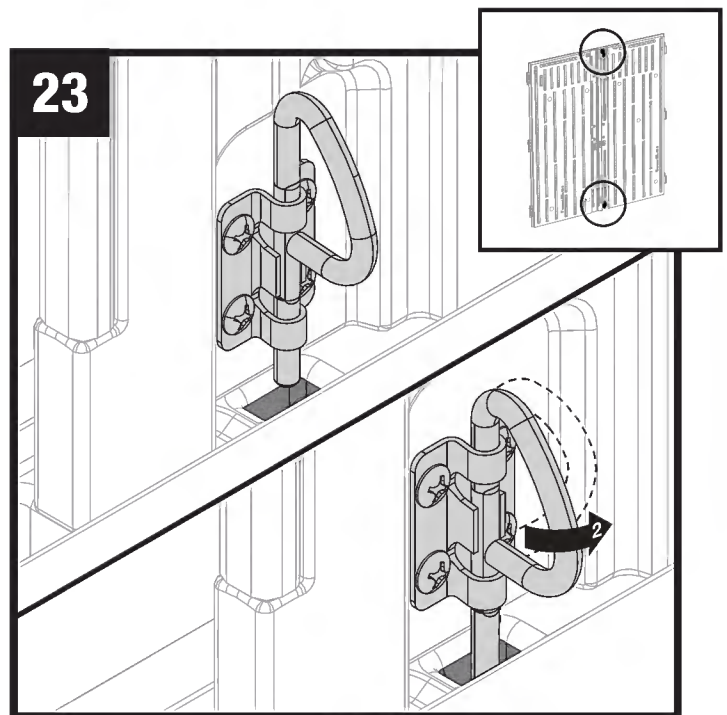
En haut de la porte gauche (J), du côté intérieur, fixer un verrou (O) par quatre vis (UU).



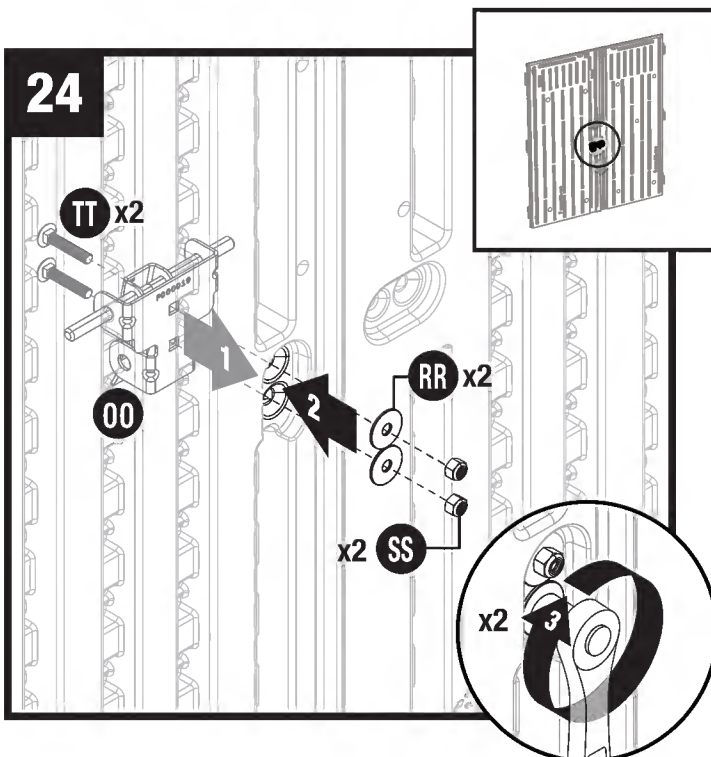
En bas de la porte gauche (J), du côté intérieur, fixer un verrou (O) par quatre vis (UU).



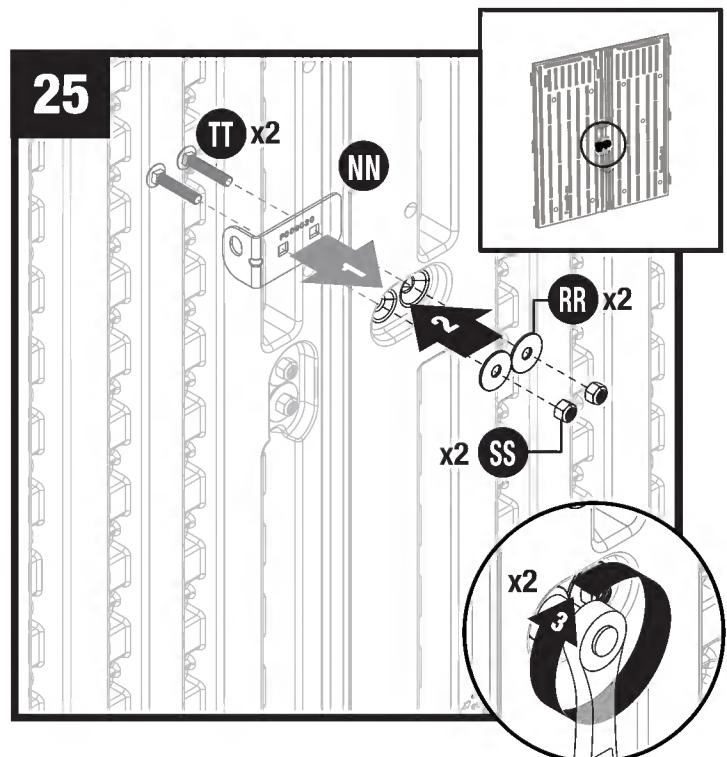
Soulever le verrou en D (O) jusqu'à ce qu'il se se loge dans le chevêtre avant. Tourner le verrou en D vers la droite pour le verrouiller



Abaisser le verrou en D (O) jusqu'à ce qu'il se se loge dans le trou du plancher. Tourner le verrou en D vers la droite pour le verrouiller

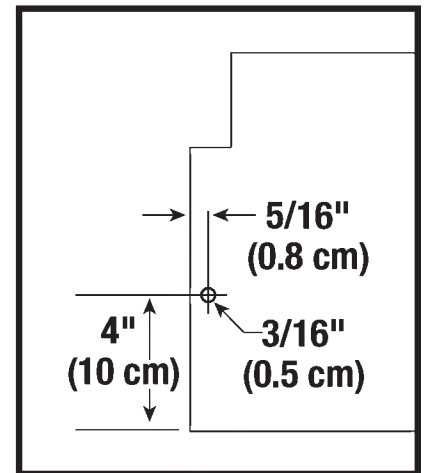
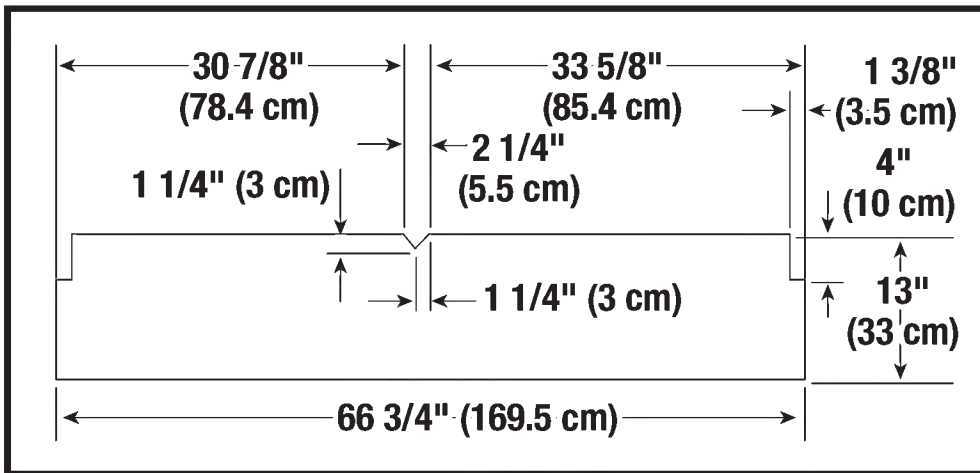


Insérez deux boulons (TT) dans le verrou de la porte (OO) et dans la porte droite. Les boulons devront percer une fine couche de plastique pour passer la porte. Tout en maintenant (OO) en place, fixez les boulons à l'aide de deux rondelles (RR) et d'écrous (SS).

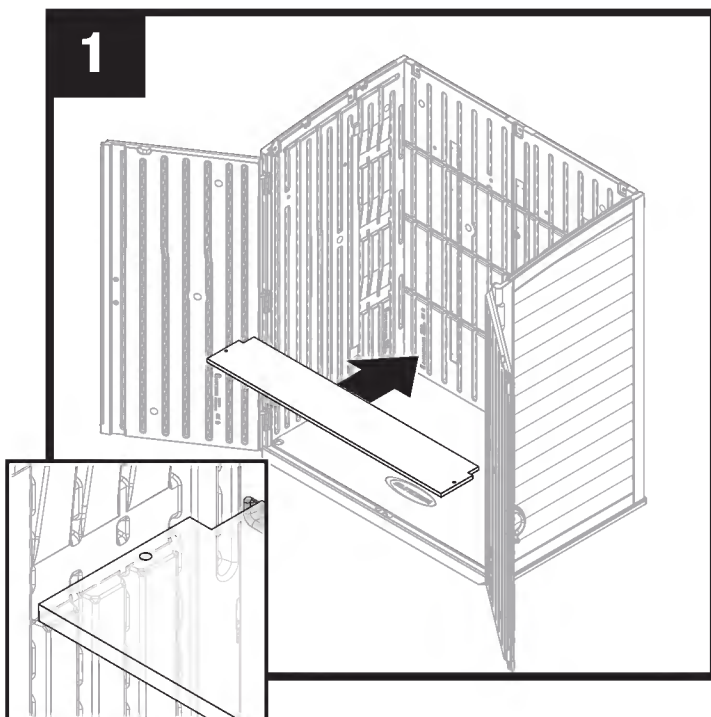


Faire passer deux boulons (TT) à travers la plaque de verrouillage (NN) et la porte gauche. Les vis devront percer une fine couche de plastique pour passer à travers la porte. Tout en maintenant la plaque en place, placez une rondelle (RR) et un écrou (SS) sur chaque boulon et serrez.

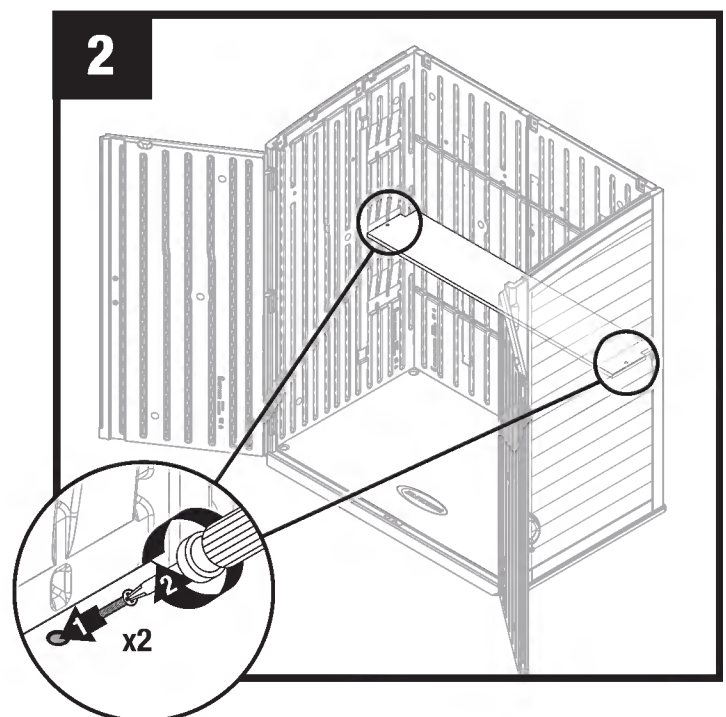
Étagère en bois à l'intérieur en option (matériaux non inclus)



- Trois étagères en bois facultatives peuvent être ajoutées à votre remise de stockage.
- Coupez les étagères en bois de $3/4''$ (1.9 cm) d'épaisseur en utilisant les dimensions ci-dessus.
- Percez un avant-trou de $3/16''$ (.5 cm) de chaque côté de l'étagère.



Placez l'étagère dans la remise. L'étagère doit être complètement assise dans les supports d'étagère sur les panneaux latéraux et arrière.



Pour fixer l'étagère, insérez une vis à cloison sèche no 8 x 1.25" (non fournis) dans chaque trou pilote et dans les panneaux latéraux.



Antes the Empezar...

- **La preparación del terreno y la construcción de las plataformas son necesarias para esta caseta y deben completarse antes del montaje.** Comience por seleccionar una de las dos opciones de plataforma aprobadas que se describen en este manual y siga las especificaciones. Las opciones de plataformas proporcionadas ofrecen el mejor soporte a largo plazo para su caseta. **La garantía requiere plataforma.**
- **Si no tiene experiencia en la preparación del terreno o la construcción de plataforma,** le recomendamos que acuda a su ferretería local o recurra a la experiencia de un profesional.
- Usando las páginas de piezas, abra cuidadosamente todas las cajas para verificar que las piezas estén presentes. **Devuelva las piezas a sus cajas originales hasta que esté listo para comenzar el montaje.**
- **Lea TODAS las instrucciones y precauciones antes del montaje.** Este producto contiene piezas que se utilizan en diferentes orientaciones para construir la caseta. El incumplimiento de las instrucciones puede impedir el montaje correcto o dañar las piezas. Tenga en cuenta los iconos utilizados en este manual para indicar dónde se requiere una atención especial.



Indica que se necesita al menos 1 adulto adicional para completar este paso.



Indica que la orientación de la pieza es crítica.



Consejos Para el día de Montaje

- No intente montar el producto cuando haga mal tiempo.
- Asegúrese de reservar la cantidad de tiempo necesaria para montar la caseta. Un montaje incompleto de la caseta puede ser un peligro de seguridad. Make sure you have assistance nearby to lift and secure parts in place.
- No utilice una llave de torsion ni un taladro manual para ajustar los easy bolts. Use solo el destornillador easy bolt suministrado.
- Suncast provee tornillería adicional para sujetadores, para la conveniencia del cliente. En algunos casos, quedarán sujetadores pequeños extra una vez terminado el montaje.



Cuidado y Mantenimiento de la Caseta

- Inspeccione a intervalos regulares la caseta para asegurarse de que la integridad del montaje se ha mantenido. **Repare o cambie las piezas rotas inmediatamente.**
- Revise periódicamente el sitio seleccionado de la caseta para asegurarse de que siga nivelada.
- Mantenga el techo limpio de nieve y hojas.
- Para mantener la buena apariencia del producto, recomendamos limpiarlo a intervalos regulares con agua y jabón suave. No utilice cloro, amoníaco ni otros limpiadores cáusticos, y no use cepillos de cerdas duras. El no limpiar a intervalos regulares podría causar manchas permanentes en el plástico. Este tipo de daño no está cubierto por la garantía.



Precaución

- Las herramientas eléctricas pueden aplicar par de fuerza excesivo y dañar el producto. Si decide utilizar un taladro eléctrico para montar el producto, Suncast recomienda utilizar un taladro inalámbrico de velocidad variable con un embrague variable ajustado en la posición más baja. Una broca Phillips #2 es compatible con la tornillería proporcionada. Suncast no da ninguna garantía que seguir esta recomendación evitará dañar el producto. El daño a las partes por par de fuerza excesivo no está cubierto bajo la garantía limitada de Suncast.
- No coloque cerca objetos calientes o que pueden calentarse.
- No coloque el producto en lugares cerca de superficies altamente reflectantes. (Nota: las ventanas de baja emisividad son más reflectantes que las ventanas estándar y pueden afectar el período de vida útil del producto).
- La caseta no está diseñada para almacenar materiales inflamables, cáusticos o corrosivos.
- Los artículos pesados no deben apoyarse contra las paredes, ya que esto puede causar deformación del panel y daño permanente.
- La caseta no está diseñada para vivienda ni para que niños la usen.
- Suncast no se hace responsable de ningún daño o pérdida de propiedad causada por el clima, mal uso, preparación incorrecta del sitio, cimentación inadecuada o montaje incorrecto. Visite www.suncast.com/warranty para obtener una lista completa de las limitaciones de la garantía.
- El producto es resistente al agua pero no es impermeable. Coloque la unidad lejos de canaletas y tuberías para un rendimiento óptimo.
- Este kit contiene partes con bordes filosos. Por favor tenga cuidado al manipular; recomendamos utilizar guantes de trabajo.
- AL TALADRAR A TR AVÉS DE METAL, tenga cuidado con las rebabas, virutas y otros bordes afilados. Se recomienda enfáticamente utilizar gafas protectoras.
- Cuando el producto no esté en uso, todas las puertas deben estar cerradas con los dispositivos de cierre activados y aseguradas con un candado.

Preparación del Lugar de Instalación

Importante:

- **La preparación del terreno es fundamental y debe completarse antes de construir la plataforma. Si la superficie no está bien nivelada y plana, la caseta no se montará correctamente y puede causar daños al producto.**
- **Utilice un nivel de tamaño adecuado para comprobar que tanto el emplazamiento como la plataforma están a escuadra, planos y nivelados.**

Preparación del Lugar de Instalación:

1. Al elegir la ubicación de su caseta, tenga en cuenta factores como la exposición al sol, el drenaje, las zonas húmedas y la proximidad a otras estructuras.
2. Consulte a las autoridades locales los códigos de construcción, los convenios o los permisos necesarios.
3. Antes de excavar, consulte con los servicios públicos locales para determinar la ubicación de cables, tuberías, etc. enterrados.
4. Prepare el terreno nivelándolo y compactándolo para crear una superficie plana y nivelada para la plataforma.
5. El terreno más allá de la plataforma debe tener una pendiente para proporcionar un drenaje adecuado.
6. Escoja que tipo de plataforma (concreto o madera) y siga las especificaciones proveídas.

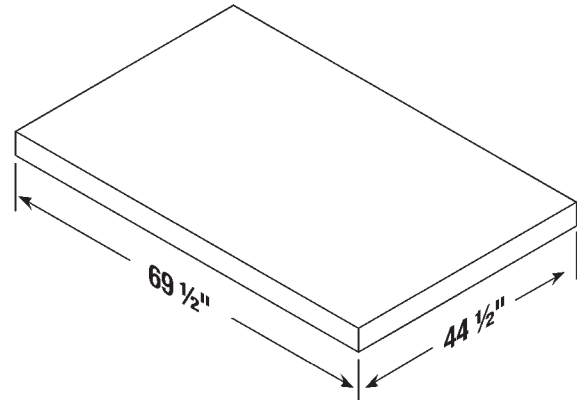
Especificaciones de Construcción de Plataforma

Materiales NO suministrados con la caseta

Opción #1: Concreto

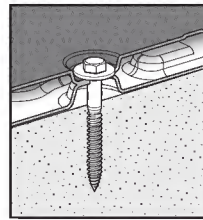
Construcción:

- Construir una única losa de concreto, de al menos 4" de ancho.
- Se recomienda el uso de barras de refuerzo si el grueso de la plataforma es de 5" o mas.
- Compruebe la plataforma en ambas direcciones para asegurarse de que están nivelados antes de construir la caseta.
- Se puede aplicar una barrera de vapor (opcional) sobre los cimientos para evitar la condensación excesiva. Siga los códigos de construcción locales.
- Las medidas proporcionadas son los requisitos mínimos para soportar con seguridad esta modelo.



Anclaje (completar DESPUÉS del montaje):

- La caseta debe fijarse al concreto con anclajes de mampostería de 3/8" y arandelas de 1". Se necesitan 4 anclajes de mampostería y arandelas. Las ubicaciones de los anclajes se corresponden con la instalación de los soportes de amarre.
- Herramientas adicionales necesarias: Broca de albañilería de 3/8".
- La tornillería de anclaje no está incluida.

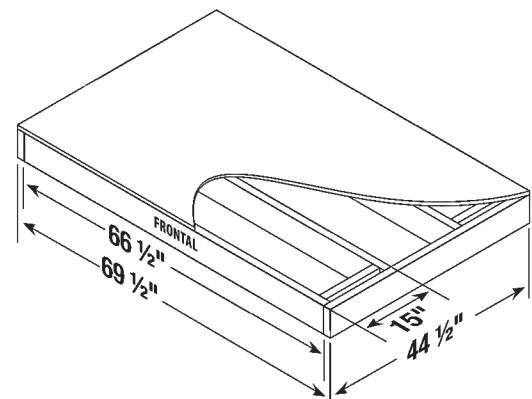


Ejemplo de sección de anclaje.

Optión #2: Plataforma de Madera

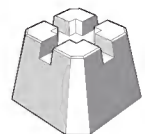
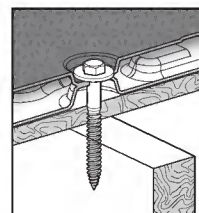
Construcción:

- Utilice madera de exterior tratada a presión (2"x6").
- Coloque la plataforma sobre tacos o zapatas. Nota: Según la calidad del suelo de su localidad, es posible que necesite bloques adicionales.
- Siga las medidas de espaciado crítico y la lista de materiales incluida en este manual.
- Las medidas proporcionadas son los requisitos mínimos para soportar con seguridad este modelo. Se acepta una plataforma de madera más grande que la especificada, sin embargo, el cobertizo debe asentarse centrado en las dimensiones de la plataforma proporcionadas.



Anclaje (completar DESPUÉS del montaje):

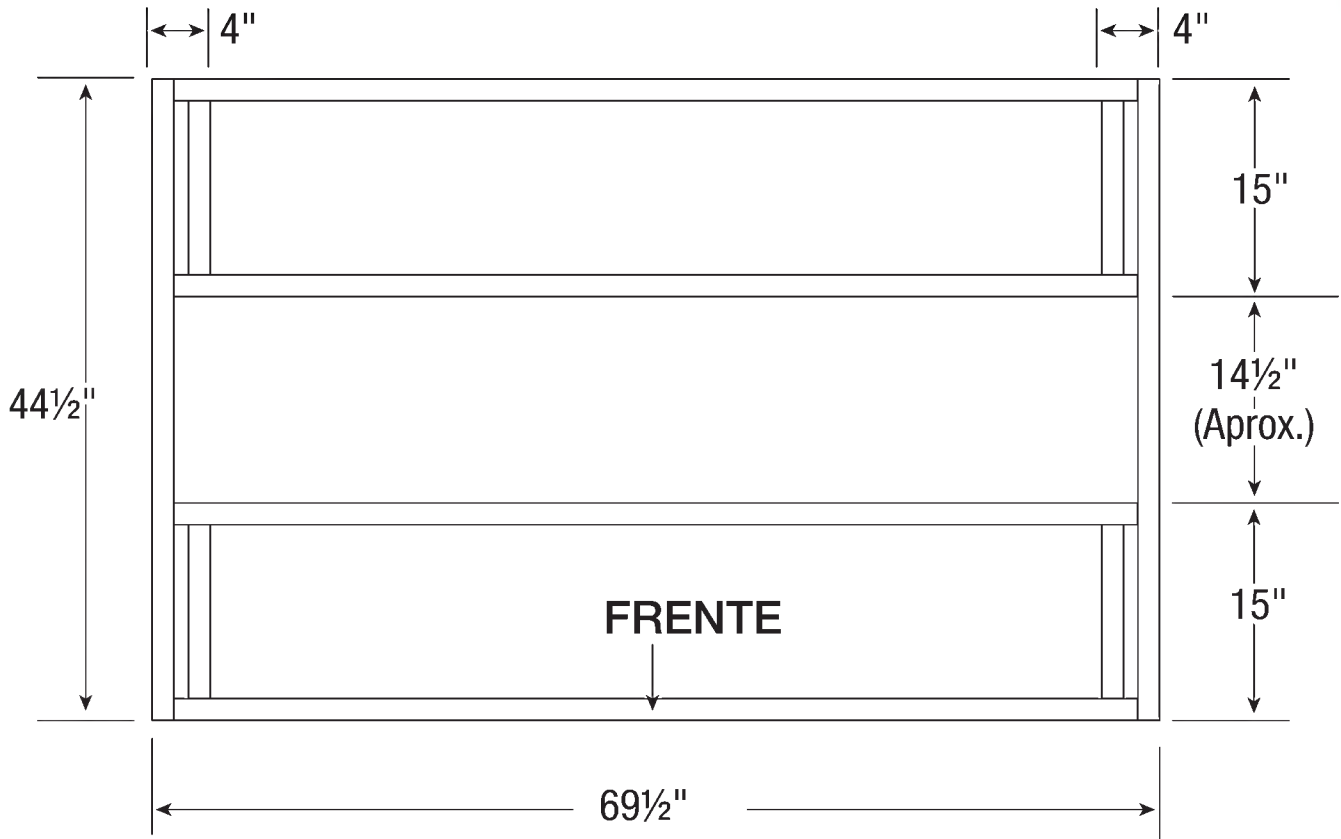
- La caseta debe fijarse a la plataforma con tornillos de madera de 1/4" 3/8" x 3" y arandelas de 1". Se necesitan 4 tornillos y arandelas.
- Asegúrese de que el cobertizo está orientado correctamente para que quede alineado con la estructura inferior de la plataforma.
- Herramientas adicionales necesarias: Broca de 7/32" de diámetro.
- La tornillería de anclaje no está incluida.



Ejemplo de sección de anclaje.

Especificaciones de Construcción de Plataforma

Materiales NO suministrados con la caseta

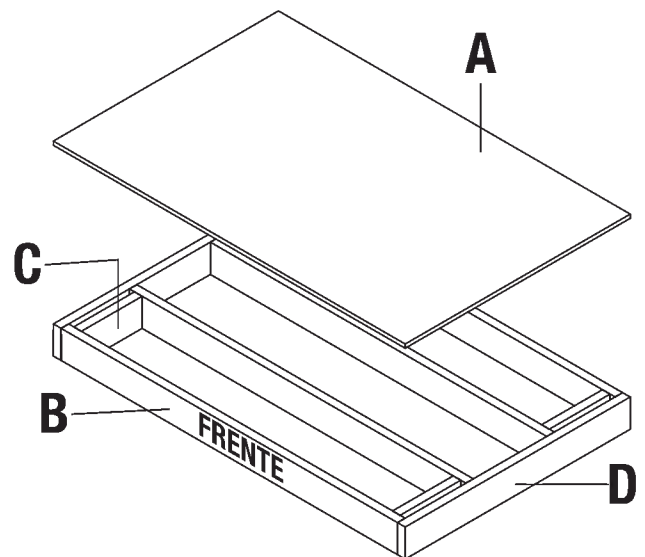


Wood Platform Materials List

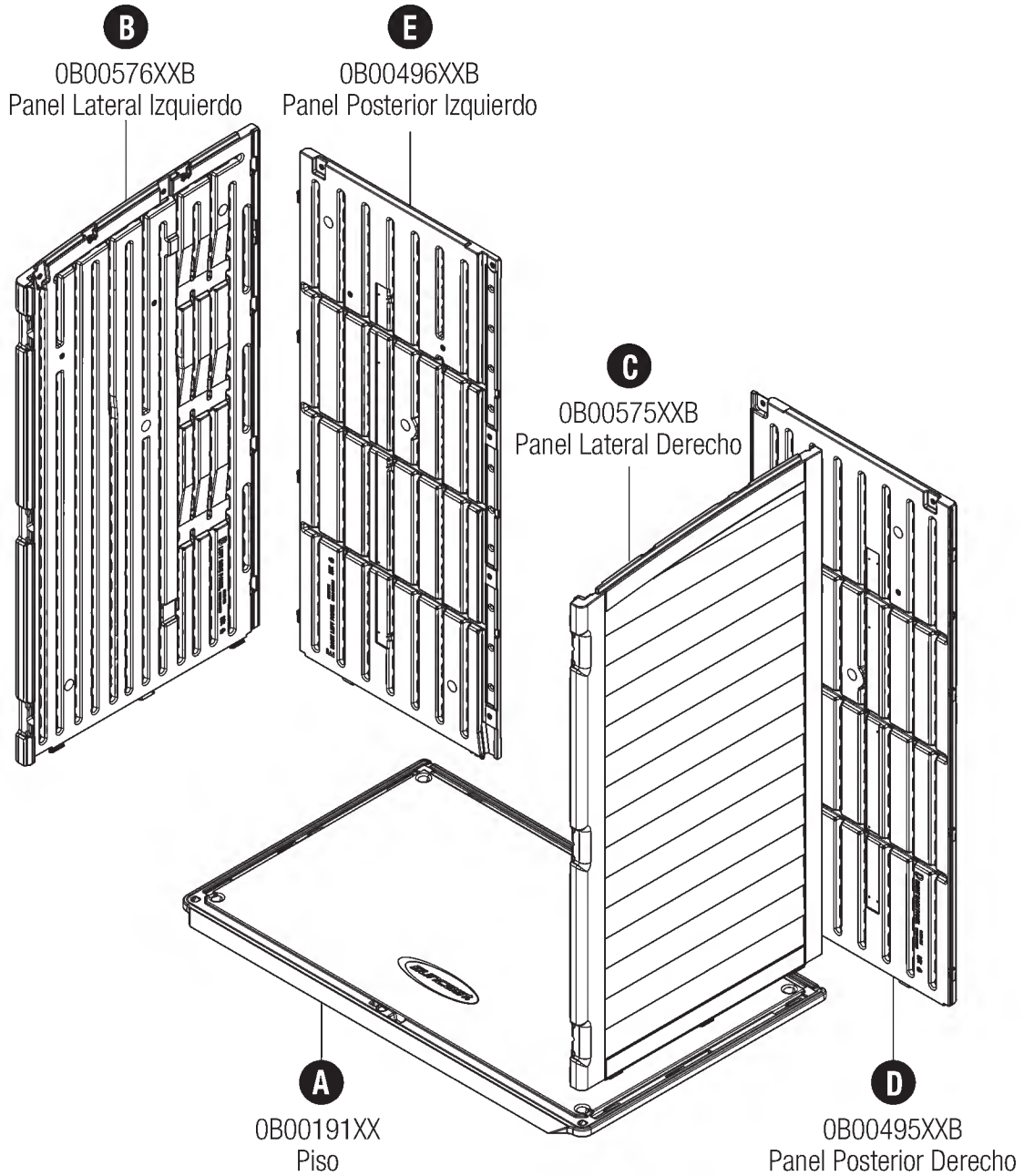
Elemento	Cant.	Tamaño
a	1	44.5" x 69.5" x .75"
b	4	2" x 6" x 66.5"
c	4	2" x 6" x 12"
d	2	2" x 6" x 44.5"

Verifique todas las medidas de los espacios criticos cuidadosamente.

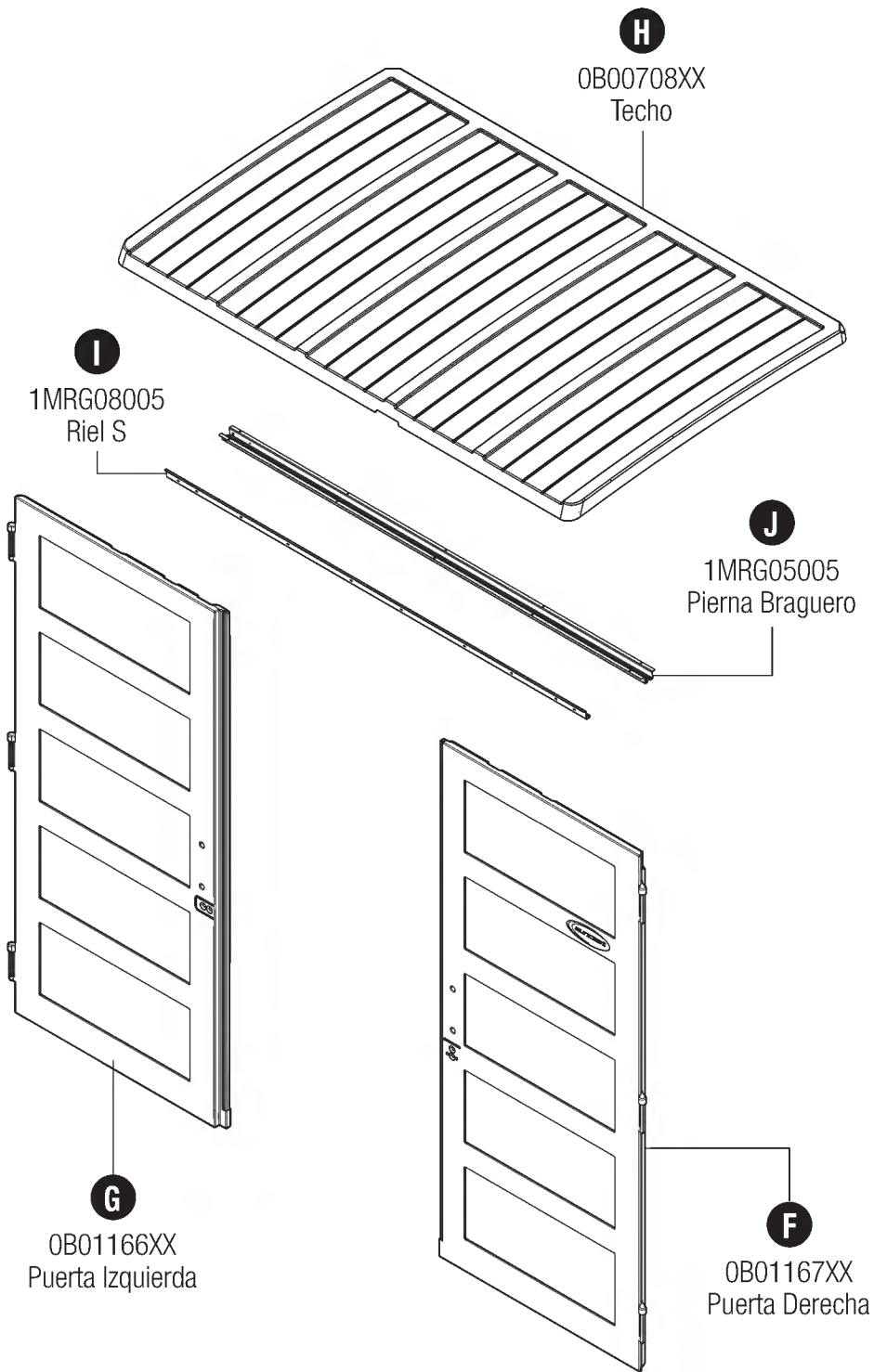
*Nota: una madera de 2 x 6 es realmente 1/2" más pequeña que los tamaños anotados. Las dimensiones indicadas suponen madera de tamaño real estándar de 1.5" x 5.5". Las dimensiones de la madera pueden variar. Compruebe las dimensiones de la madera antes de cortarla y realice los ajustes necesarios para conseguir las dimensiones indicadas. Las dimensiones de corte son las reales.

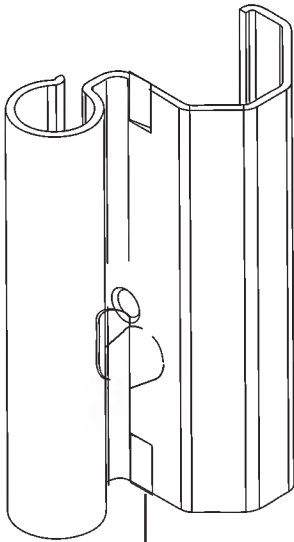


Piezas - Pared y Piso



Piezas - Techo y Puertas





AA

OMP000022A
Bisagra
x6

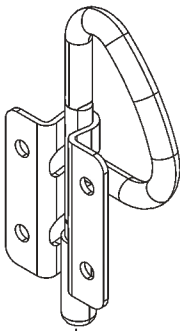
0480452 - Bolsa de Tornillería



UU

0210180
Vis
x9

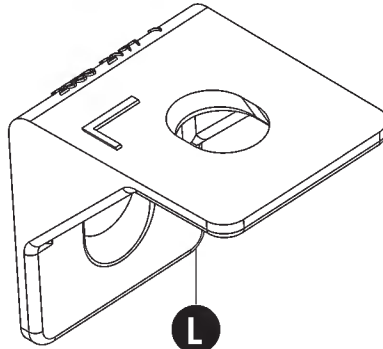
0440631 - Bolsa de Tornillería



O

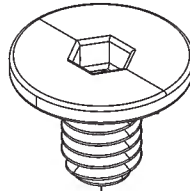
Anillo en D
x2

Bolsa de Tornillería



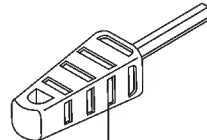
L

0102197XX
Retenedor de Techo
x7



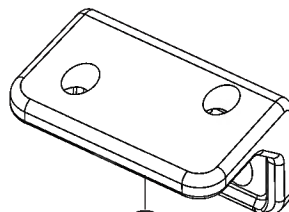
EE

010256307
Easy Bolt
x17



FF

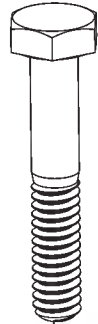
Easy Driver



II

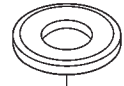
010272110
Soporte de Techo
x2

0480616- Bolsa de Tornillería



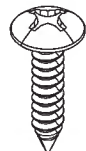
BB

Perno
x7



CC

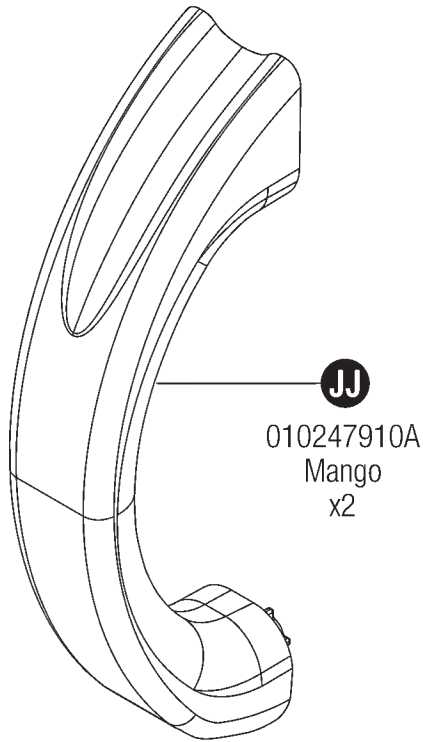
Arandela
x7



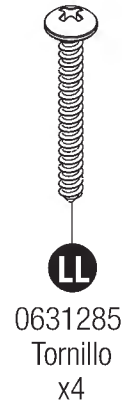
HH

Tornillo
x30

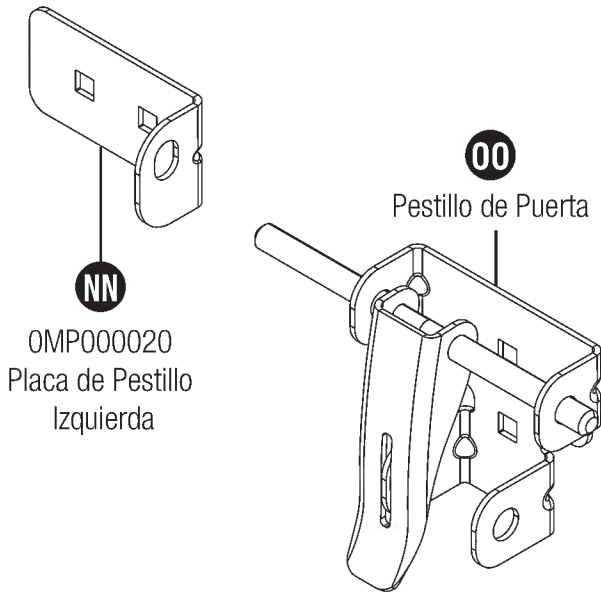
Piezas - Kit de Mangos



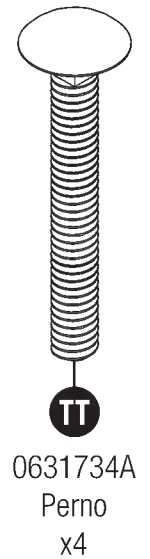
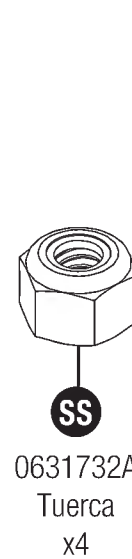
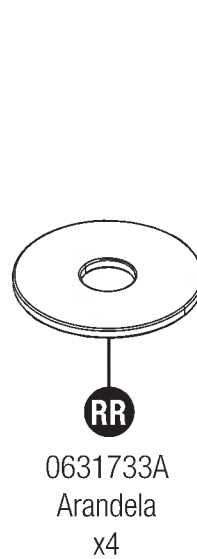
0480370 – Bolsa de Tornillería



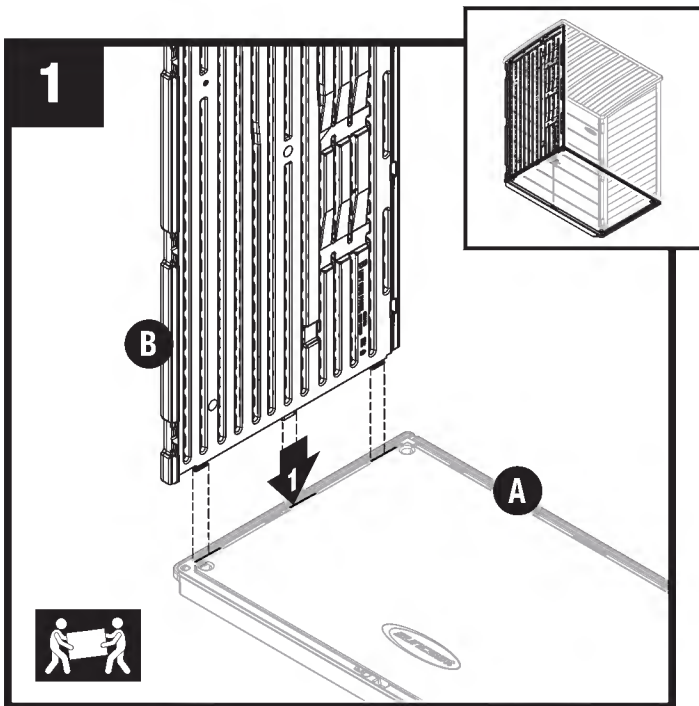
0464504 - Pestillo de la Puerta



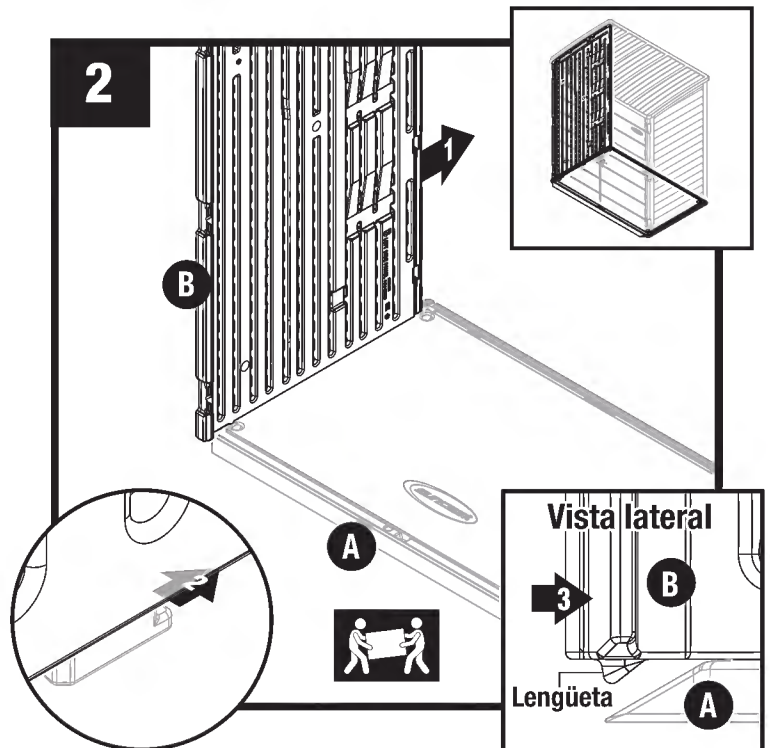
0480439A - Bolsa de Tornillería



Montaje - Paredes

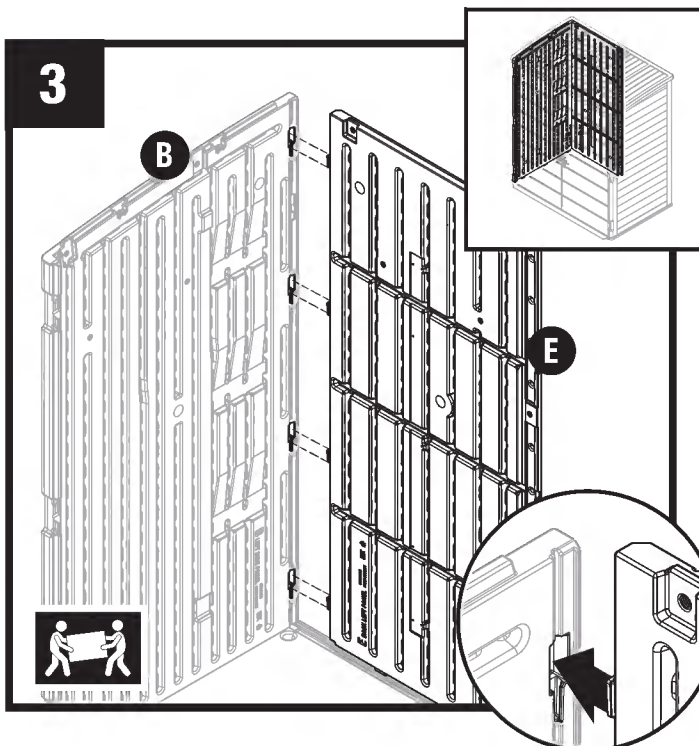


Alinee las pestañas en el panel lateral inferior izquierdo (B) con las ranuras en el piso (A). Baje el panel en las ranuras.

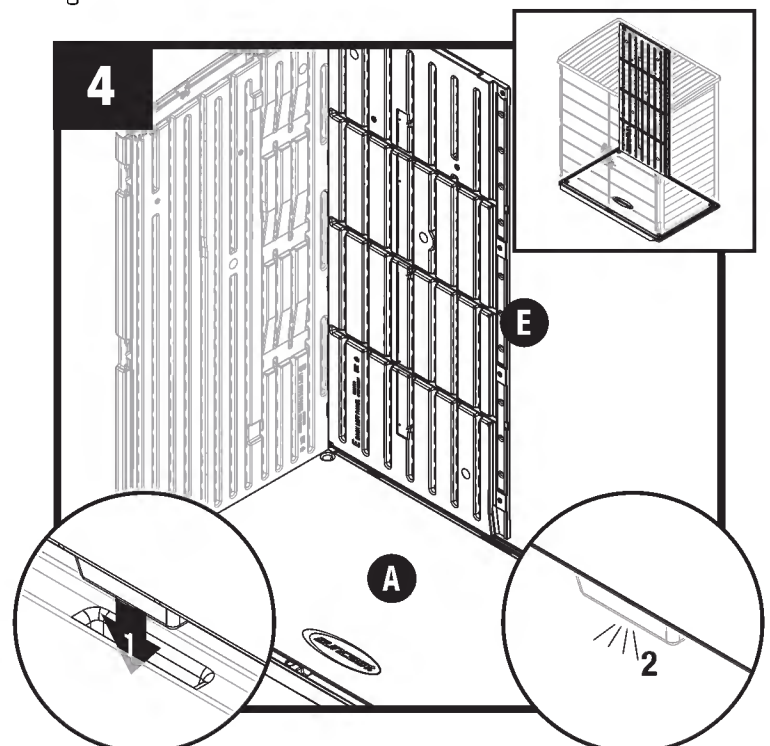


Bloquee el panel lateral (B) deslizando el panel hacia la parte posterior del panel del piso (la pestaña de la esquina frontal se deslizará hasta su posición).

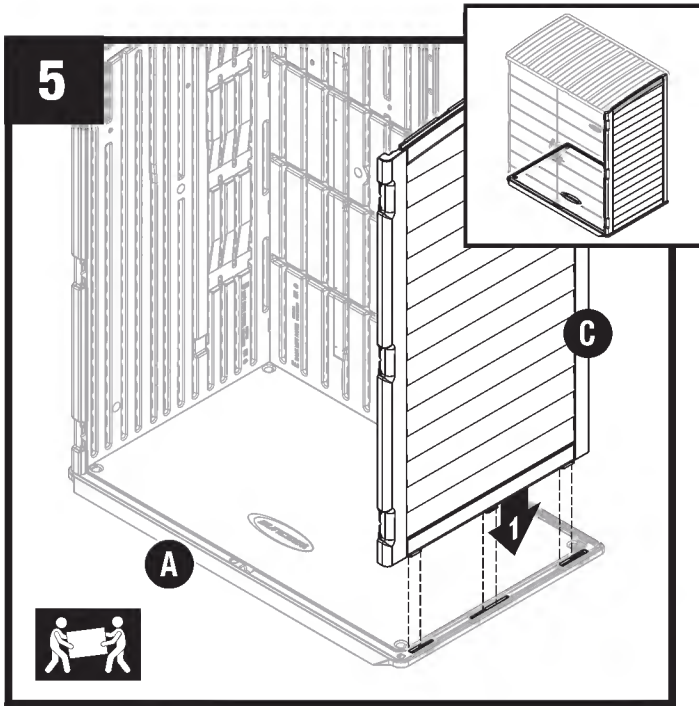
Nota: Use un mazo de goma para "empujar" el panel lateral izquierdo (B) a la posición de bloqueo.



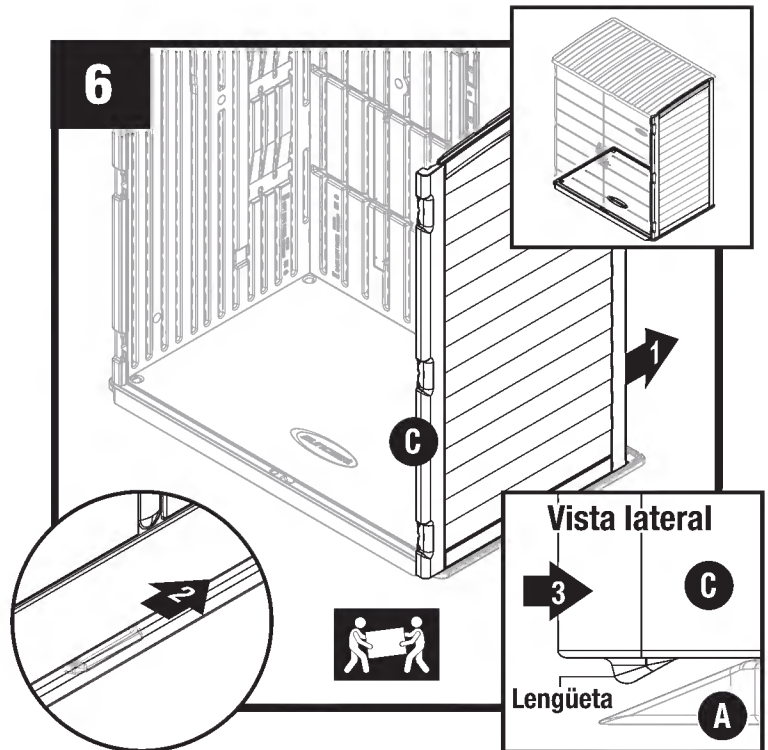
Alinee las pestañas del lado del panel posterior izquierdo (E) con las ranuras del panel lateral izquierdo (B). Deslice hacia atrás el panel izquierdo hacia el panel lateral izquierdo.



Baje las pestañas del panel posterior izquierdo (E) hacia las ranuras del piso (A). Las pestañas del panel posterior izquierdo se "ajustarán" en su lugar cuando estén en la posición correcta.

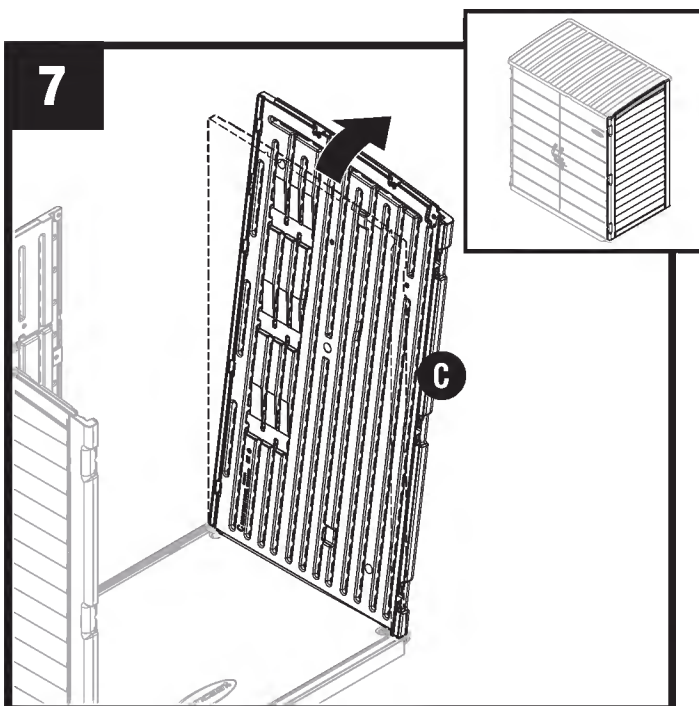


Alinee las pestañas en el panel lateral inferior derecho (C) con las ranuras en el piso (A). Baje el panel en las ranuras.

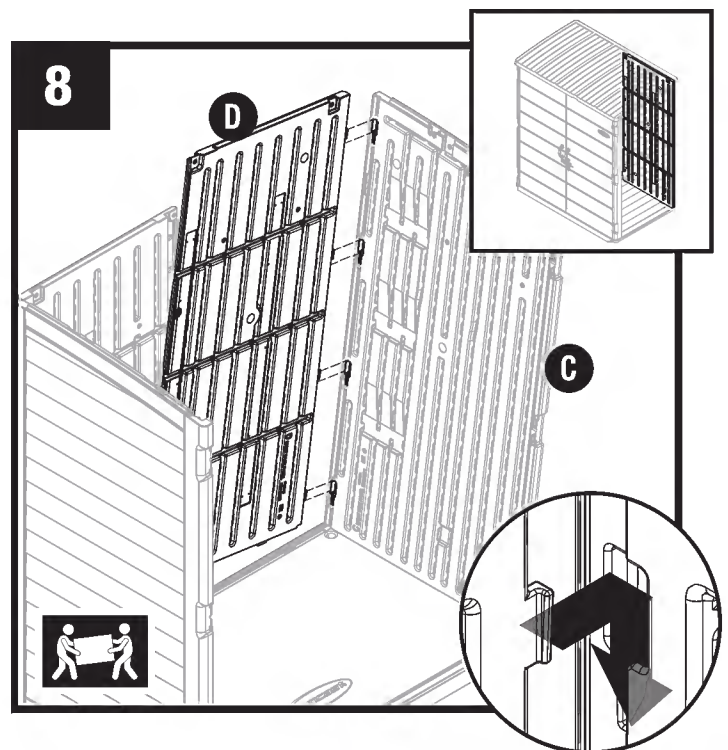


Bloquee el panel lateral (C) deslizando el panel hacia la parte posterior del panel del piso (la pestaña de la esquina frontal se deslizará sobre el piso hasta su posición).

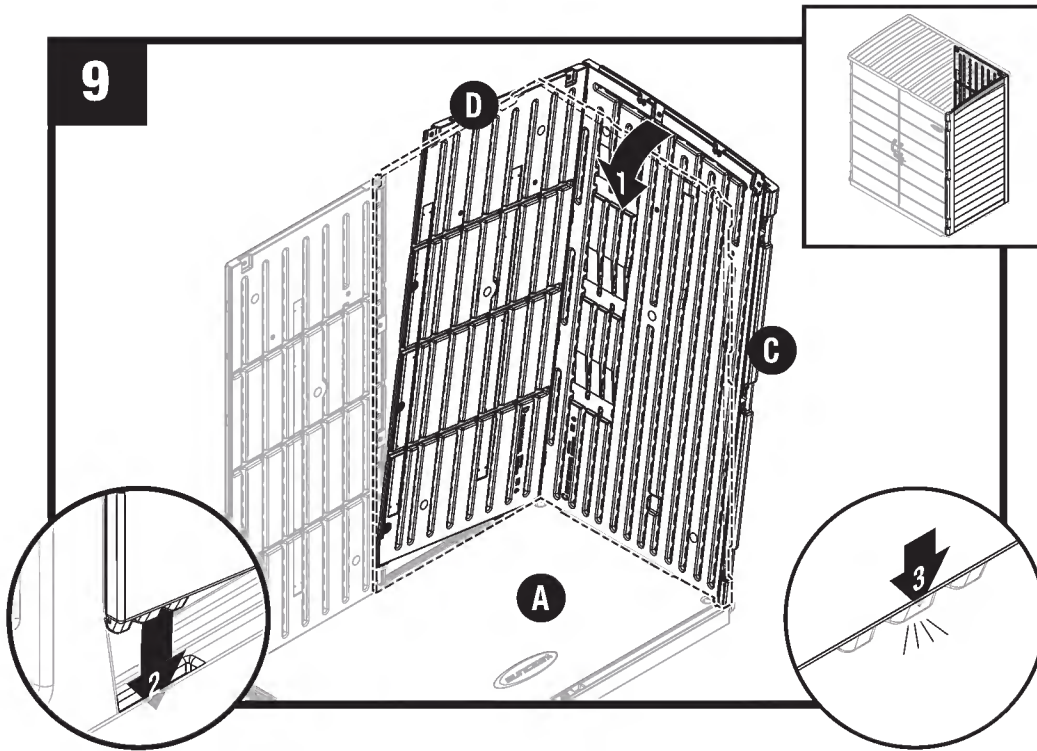
Nota: Use un mazo de goma para 'empujar' el panel lateral derecho (C) a la posición de bloqueo.



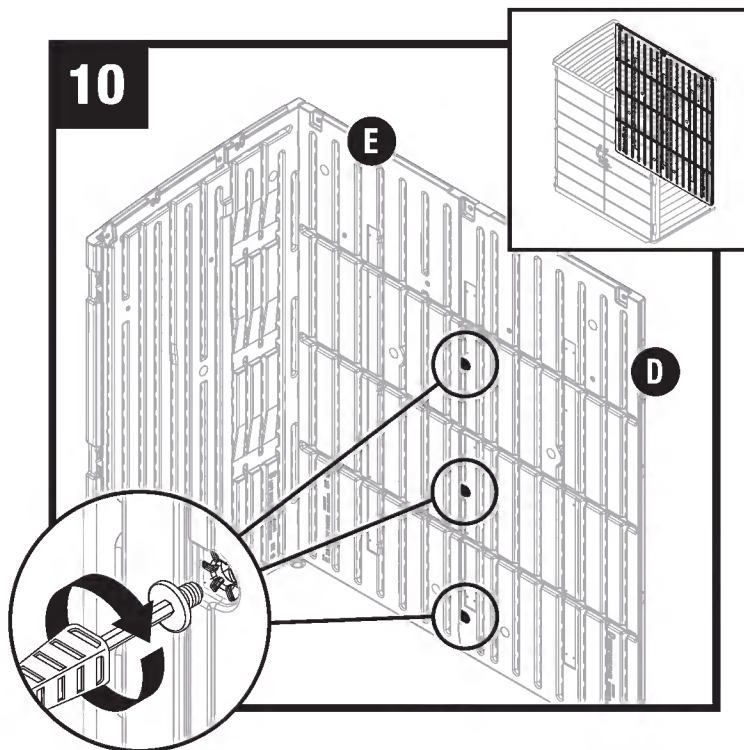
Incline el panel derecho (C) hacia afuera.



En ángulo, alinee las pestañas del lado del panel posterior derecho (D) con las ranuras del panel lateral derecho (C). Retraiga el panel posterior derecho hacia adentro y hacia abajo en el panel lateral derecho para asegurarlo.



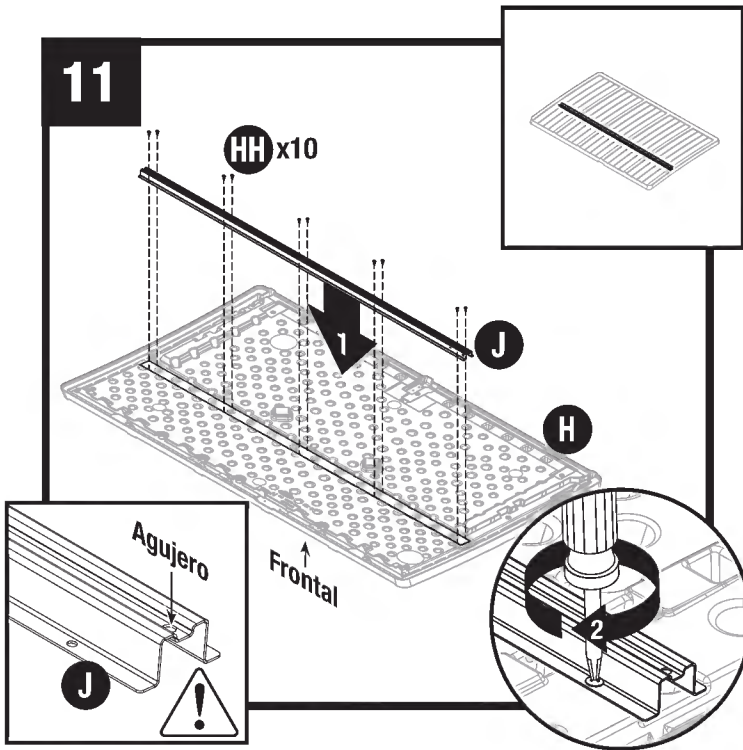
Incline el panel posterior derecho (D) y el panel lateral derecho (C) de nuevo a la posición vertical (bajando las pestañas del panel posterior derecho en las ranuras del piso (A)). Las pestañas del panel posterior derecho se "ajustarán" en su lugar cuando estén en la posición correcta.



Asegure los paneles posteriores (E, D) juntos usando tres easy bolts (EE) de abajo hacia arriba. **No** apriete demasiado.

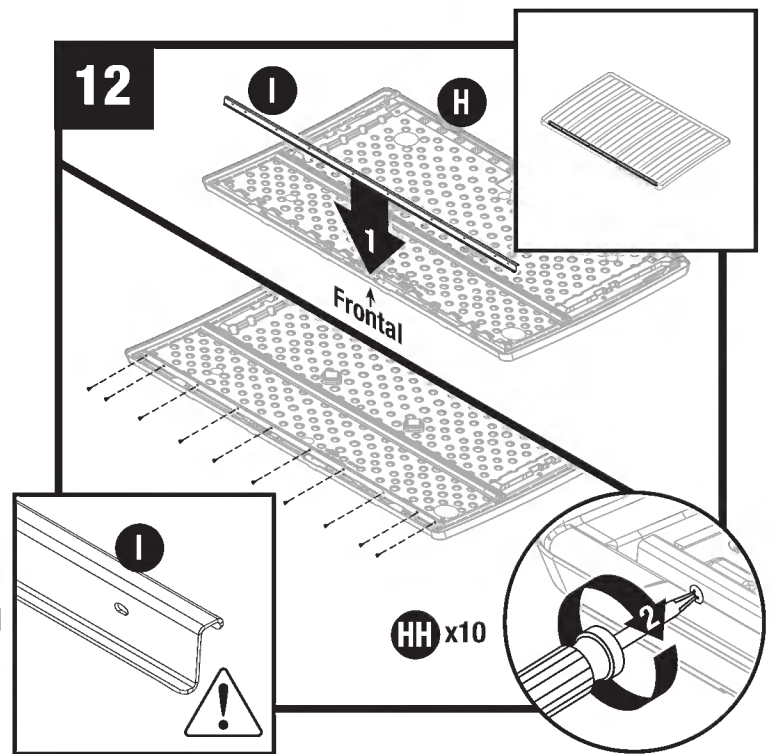
Nota: La ubicación del easy bolt superior se instalará en un paso posterior.

Montaje - Techo



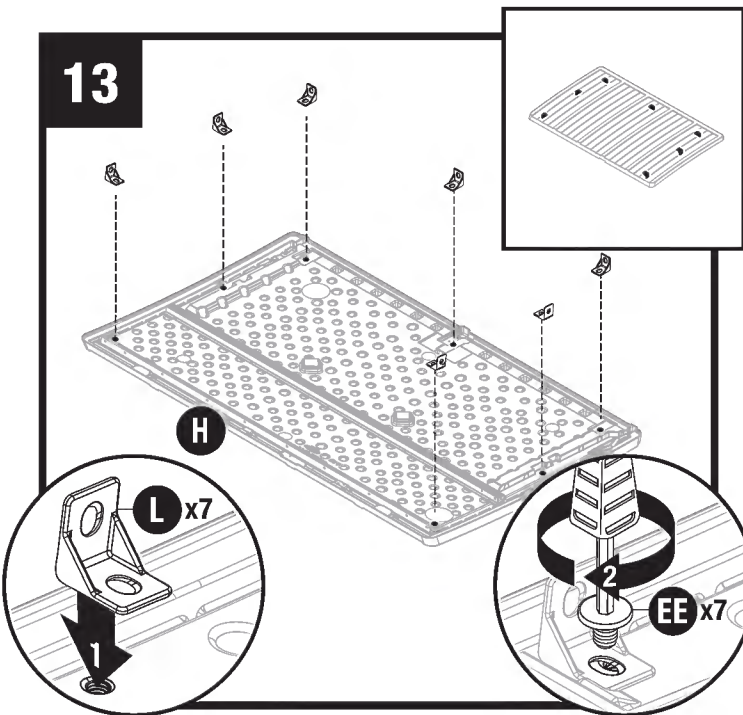
Coloque el techo en una superficie plana y baje la pierna braguero (J) para colocarlo en el canal de la parte inferior del panel del techo (H). Para la orientación correcta, el orificio superior de la pierna braguero (J) debe quedar en el lado derecho. Alinee los orificios de la pierna braguero con los balancines del panel del techo. Fije el soporte con diez tornillos (HH).

Nota: La pierna braguero debe instalarse en la orientación que se indica arriba. El techo no encajará si el soporte se instala al revés.

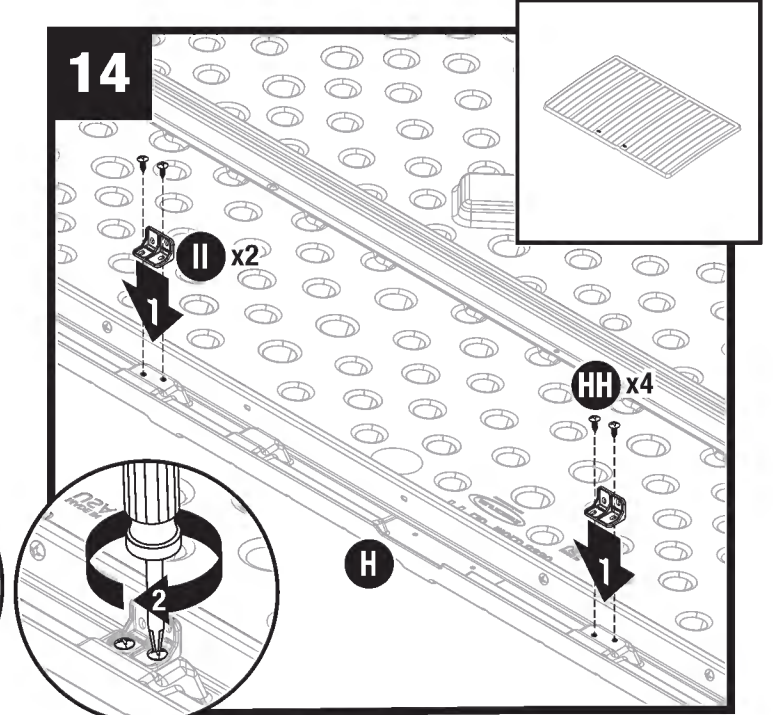


Baje el riel S (I) hasta la posición en el techo (H). Fije con diez tornillos (HH). La orientación correcta del riel S (I) se muestra arriba.

Nota: No hay agujeros previamente perforados en el techo. Al comienzo, atornille con fuerza los tornillos autorroscantes. Una vez que el tornillo perfora el plástico se atornillará más fácilmente.



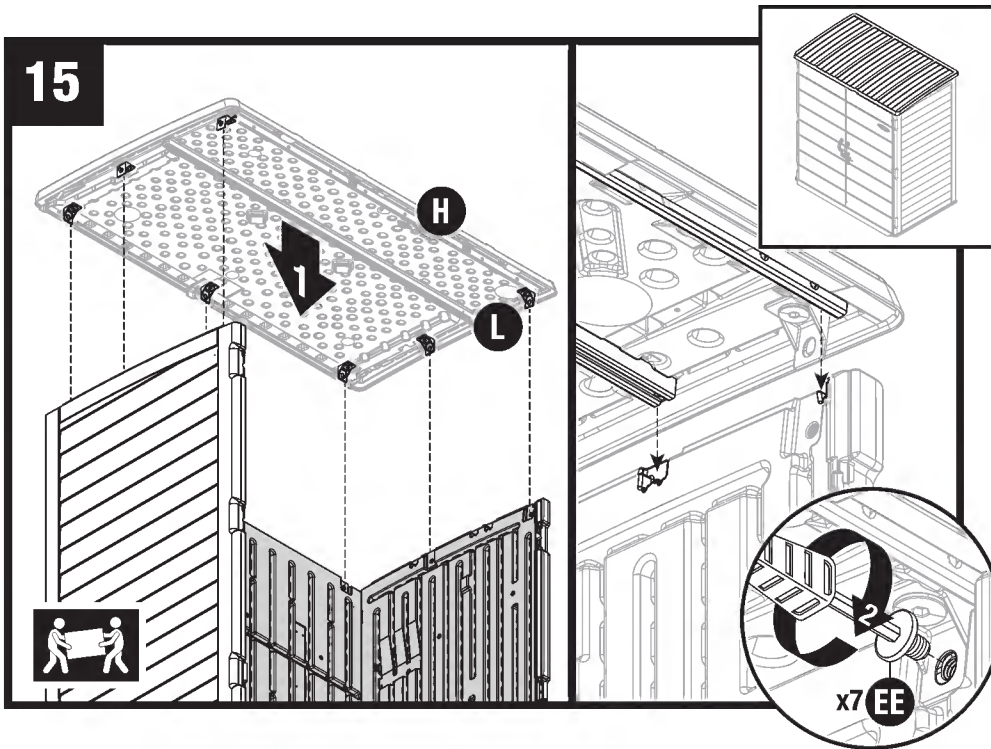
Baje el retenedor del techo (L) hasta su posición en el techo. Asegure el retenedor con un easy bolt (EE). **No** apriete demasiado.



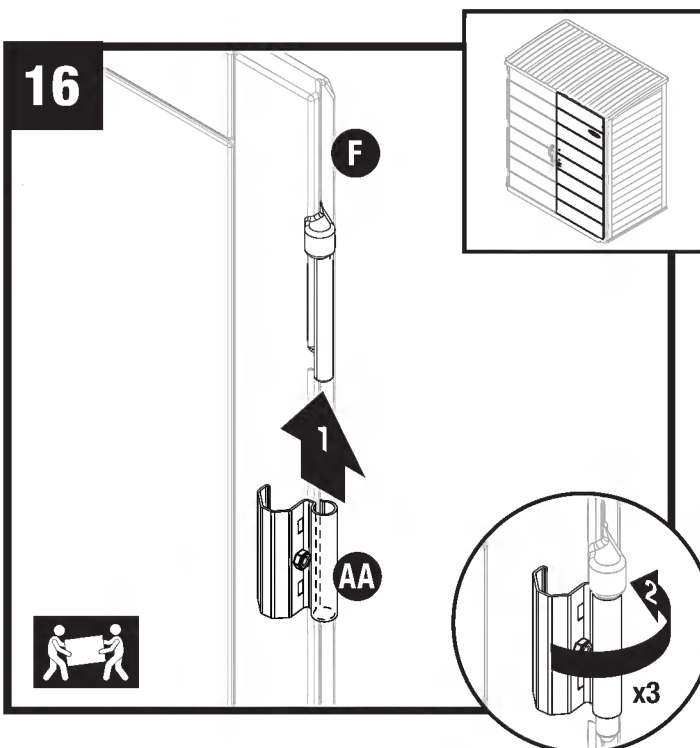
Fije dos soportes de techo (II) a la parte inferior del techo (H) con dos tornillos (HH) cada una.

Nota: La parte vertical del soporte debe orientarse hacia el interior de la caseta.

Montaje - Techo y Puertas

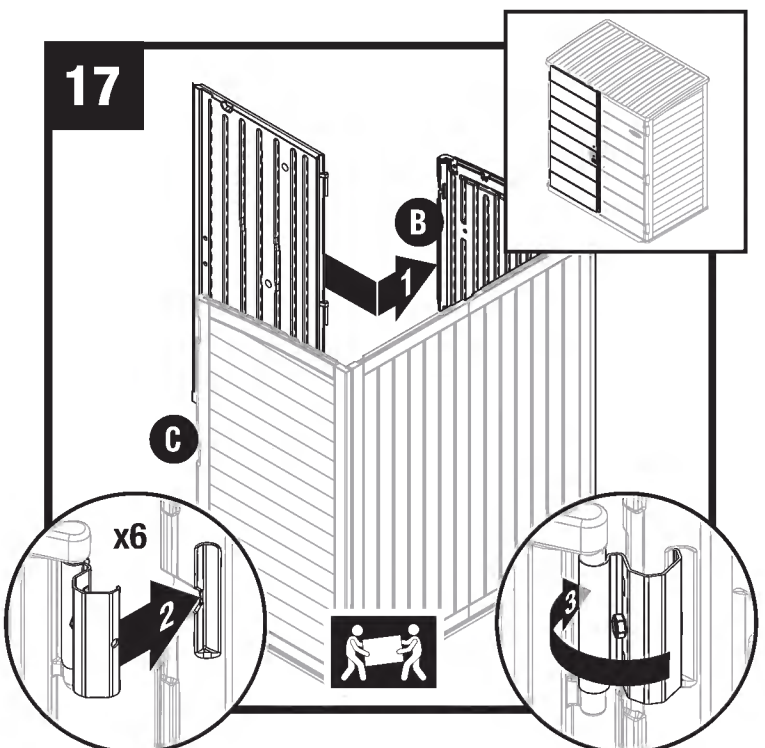


Baje el panel del techo (H) y alinee los retenedores de techo (L) con los orificios en las paredes. La pierna braguero y el riel S premontados al techo caben en muescas en los paneles laterales. Asegure los retenedores con siete easy bolts (EE). **No apriete demasiado.**



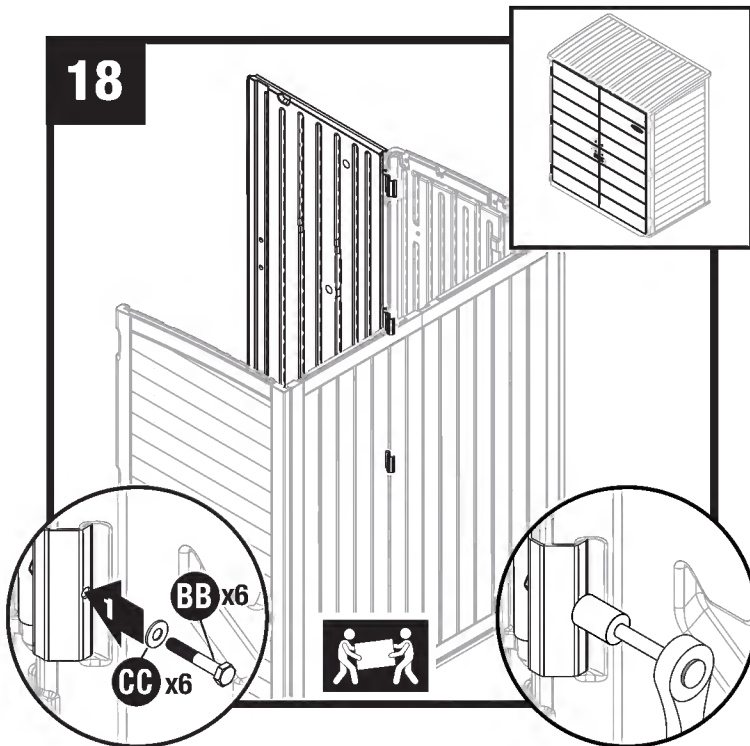
Coloque la puerta derecha (F) en posición vertical con los soportes de bisagra hacia la derecha. Deslice una bisagra (AA) en cada soporte de bisagra. Gire la bisagra para abrir la posición.

Repita para la puerta izquierda (G)

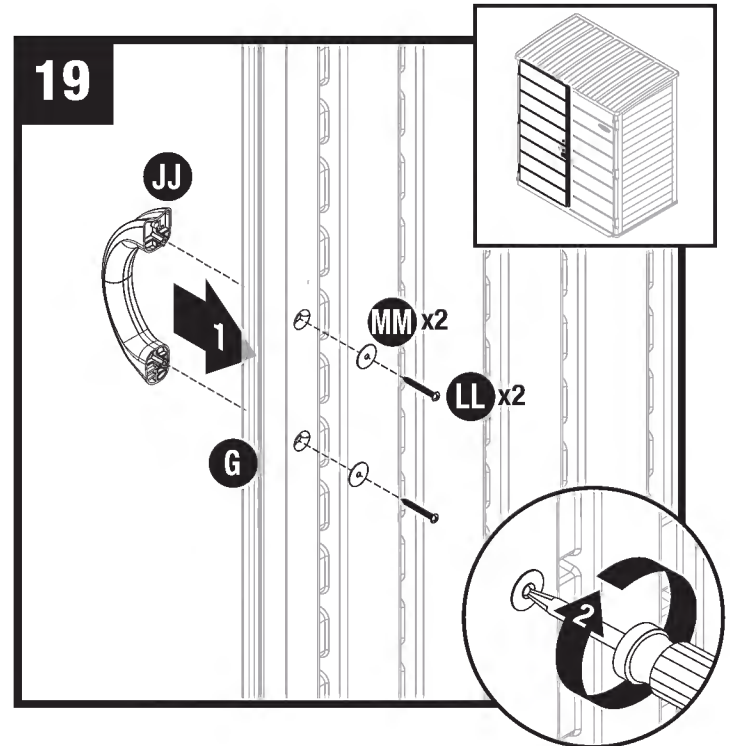


Deslice una bisagra sobre cada uno de los seis receptáculos de bisagra en el interior de los paneles laterales (B,C).

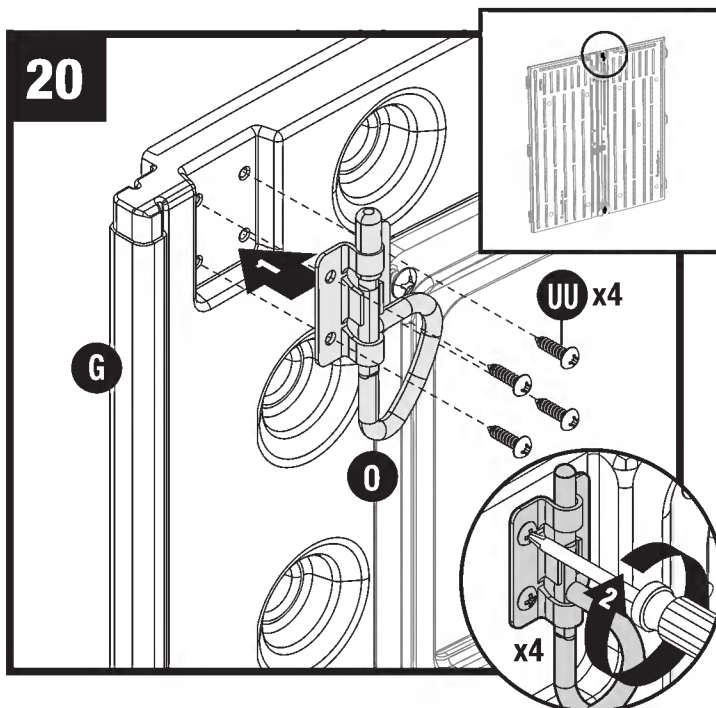
Montaje - Puertas



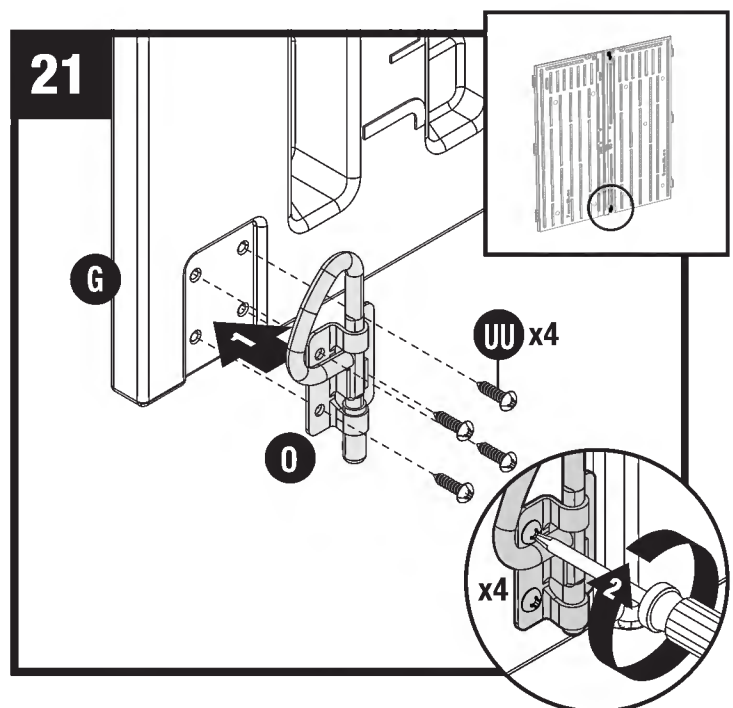
Asegure cada bisagra de la puerta con una arandela (CC) y perno (BB).



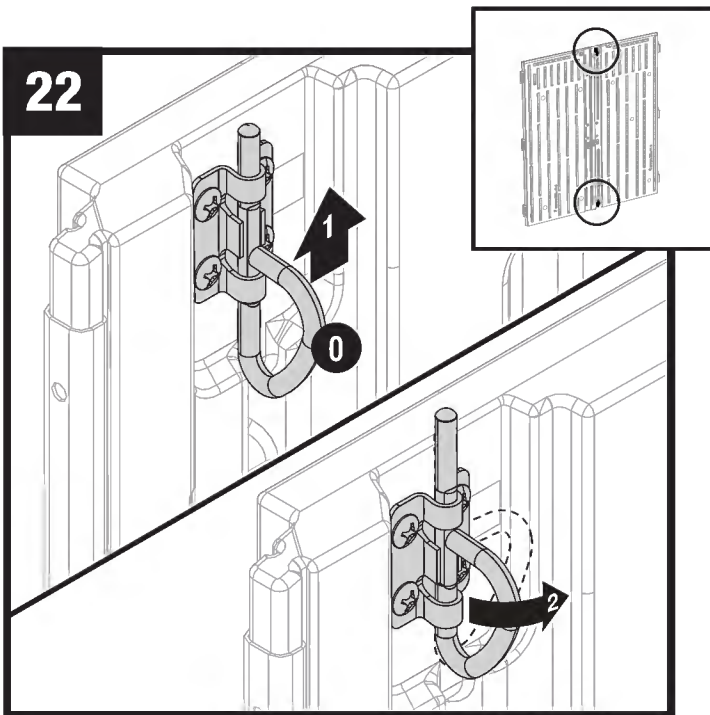
Fije un mango (JJ) a la puerta izquierda (G) utilizando arandelas (MM) y tornillos (LL). Repita para la puerta derecha (F).



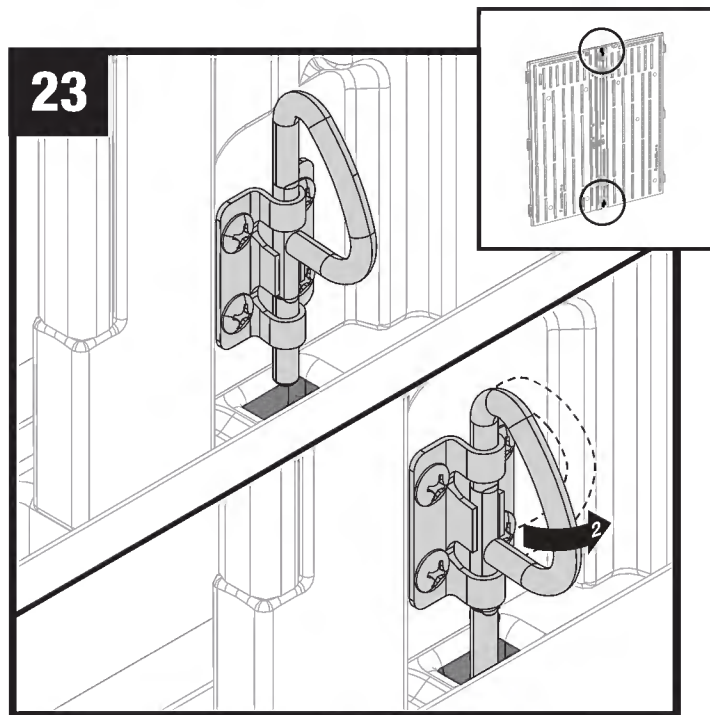
En el lado interior superior de la puerta izquierda (J), coloque un pestillo con anillo D (O) con cuatro tornillos (UU).



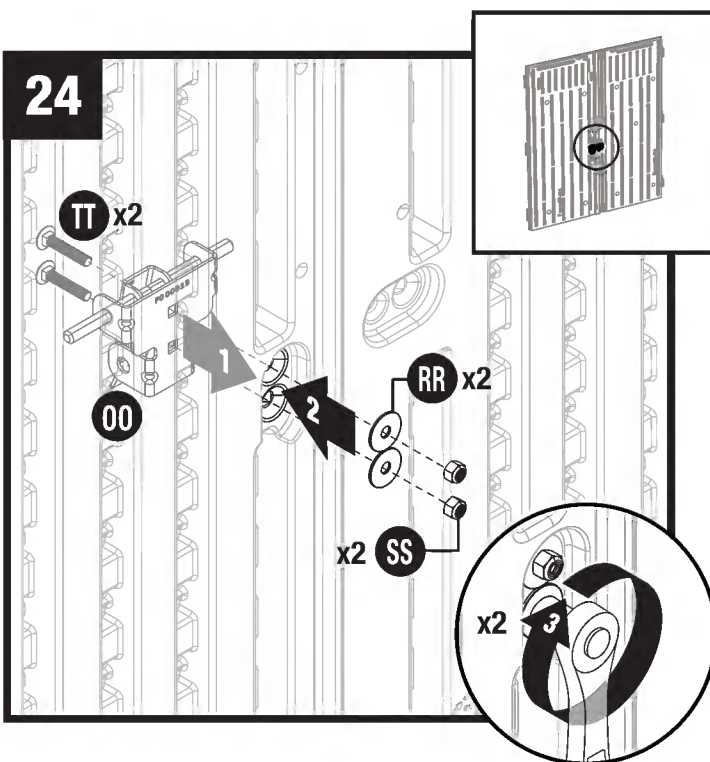
En el lado interior inferior de la puerta izquierda (J), coloque un pestillo con anillo D (O) con cuatro tornillos (UU).



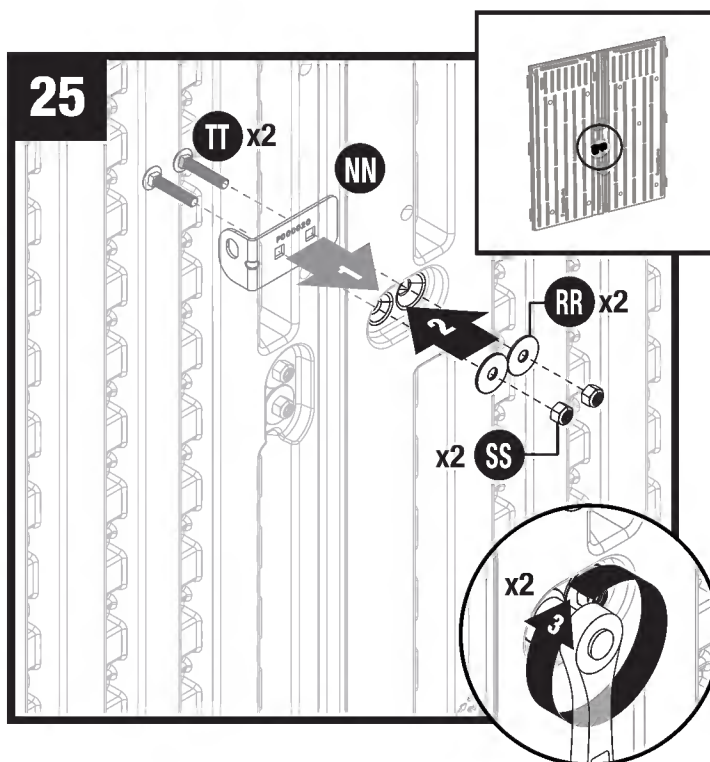
Levante el anillo D superior (O) hasta que enganche al frente del aguilón. Gire el anillo D hacia la derecha a la posición trabada



Empuje el anillo D (O) hacia abajo para engancharlo con el agujero en el piso. Gire el anillo D hacia la derecha a la posición trabada.

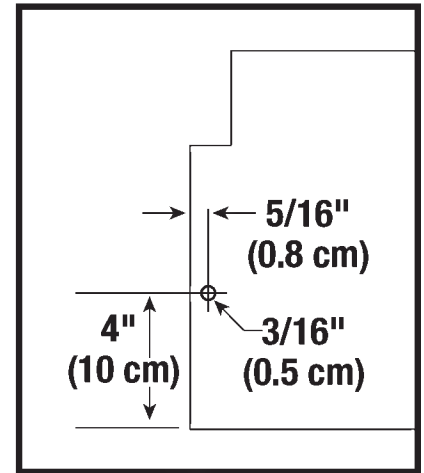
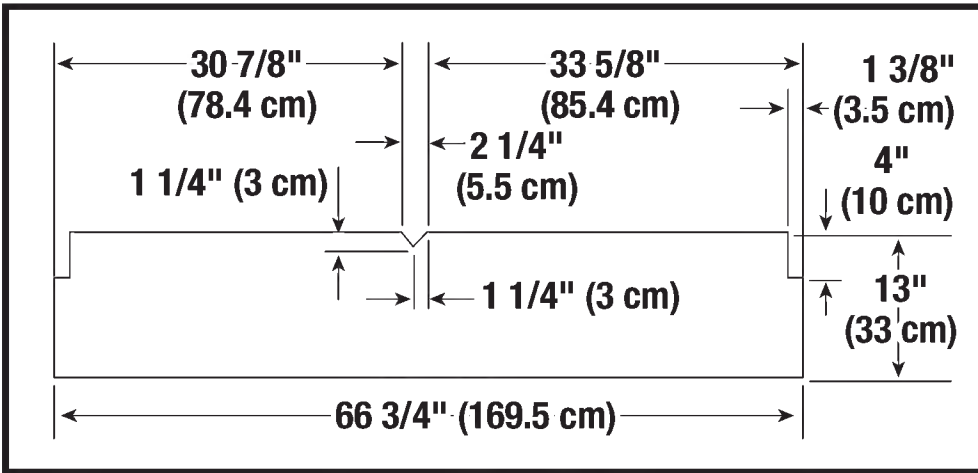


Inserte dos pernos (TT) dentro de la placa del pestillo el derecho (OO) y a través de la puerta derecha. Los pernos deberán pinche a través de una fina capa de plástico para atravesar la puerta. Sujetando la placa en su lugar en el exterior de la puerta, asegure cada perno con dos arandelas (RR) y tuercas (SS).

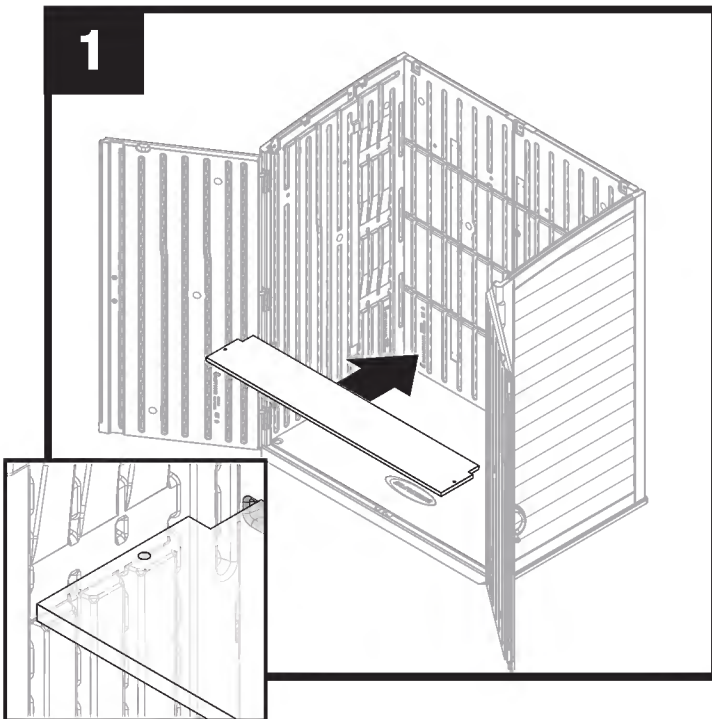


Inserte pernos (TT) dentro de la placa del pestillo izquierdo (NN) y a través de la puerta izquierda. Los pernos deberán pinche a través de una fina capa de plástico para atravesar la puerta. Sujetando la placa en su lugar en el exterior de la puerta, asegure cada perno con dos arandelas (RR) y tuercas (SS).

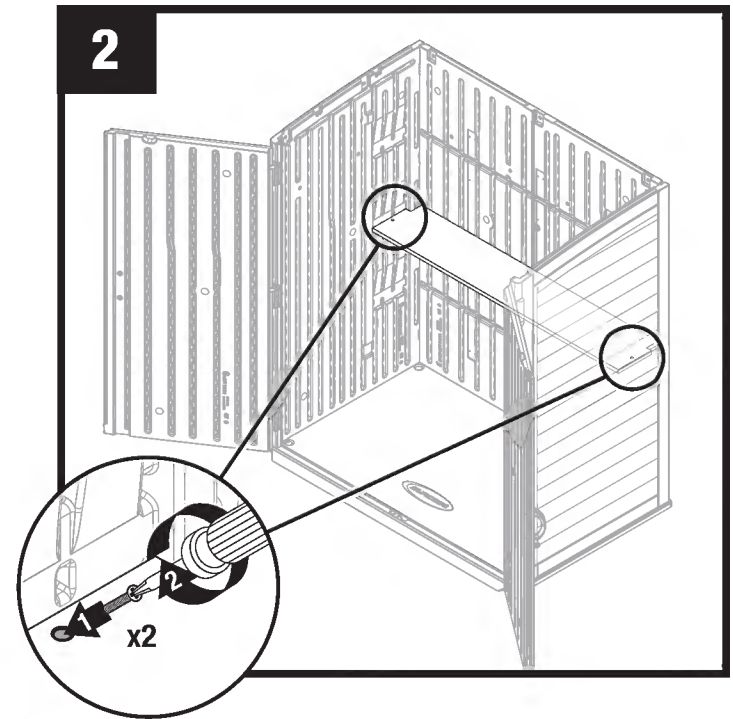
Estante interior de madera opcional (materiales no incluidos)



- Se pueden agregar tres estantes de madera opcionales a su caseta de almacenamiento.
- Corte los estantes de madera de $3/4''$ de espesor usando las dimensiones anteriores.
- Perfore un orificio piloto de $3/16''$ a cada lado del estante.



Coloque el estante en la caseta. El estante debe estar completamente asentado en soportes de estantes en los paneles laterales y posteriores.



Para asegurar el estante, inserte un tornillo para panel de yeso # 8 x 1.25" (no proporcionado) a través de cada orificio piloto y en los paneles laterales.

SUNCAST[®]